



## AirSeal® Access Port

Bladeless Optical Tip, Low Profile Bladeless Optical Tip,  
Palm Grip Bladeless Optical Tip, and Blunt Tip Access Ports

## AirSeal® Filtered Tube Sets

Tri-Lumen Filtered Tube Set with Activated Charcoal Filter,  
Bifurcated Smoke Evac Tube Set with Activated Charcoal Filter,  
Single Lumen Filtered Tube Set

For use with **AirSeal®** iFS

FIGURES .....	2
ENGLISH .....	4
FRENCH.....	9
ITALIAN.....	13
GERMAN .....	18
SPANISH .....	23
GREEK .....	27
PORTUGUESE .....	32
PORTUGUESE (BRAZILIAN) .....	37
DUTCH .....	41
DANISH.....	46
SWEDISH.....	50
FINNISH.....	54
NORWEGIAN.....	59
CHINESE.....	63
JAPANESE .....	67
POLISH .....	72
TURKISH.....	77
ROMANIAN .....	81
ARABIC.....	85
RUSSIAN .....	90
CROATIAN .....	95
CZECH .....	99
HUNGARIAN .....	104
LITHUANIAN .....	108
SLOVAK.....	113
SLOVENIAN .....	117
KOREAN .....	122
BULGARIAN .....	126

<p>Fig. 1</p>	
<p>Fig. 2, 3, 4, 5</p>	
<p>Fig. 6</p>	
<p>Fig. 7</p>	

Fig. 8

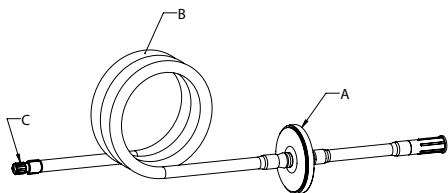


Fig. 9

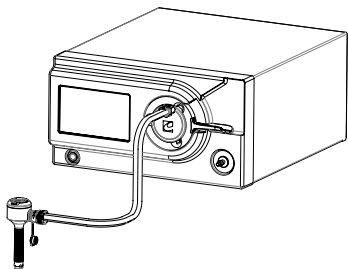


Fig. 10

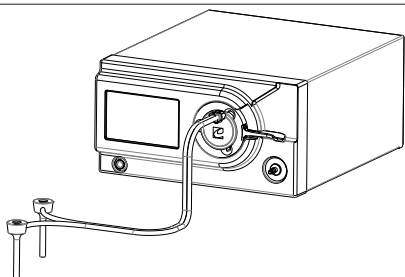


Fig. 11

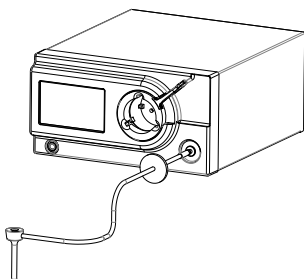
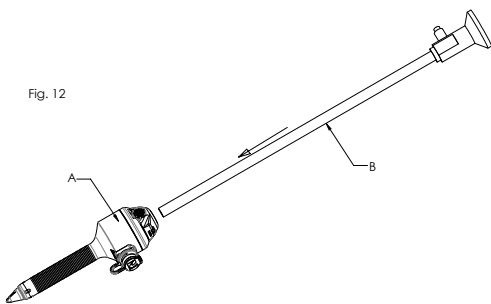
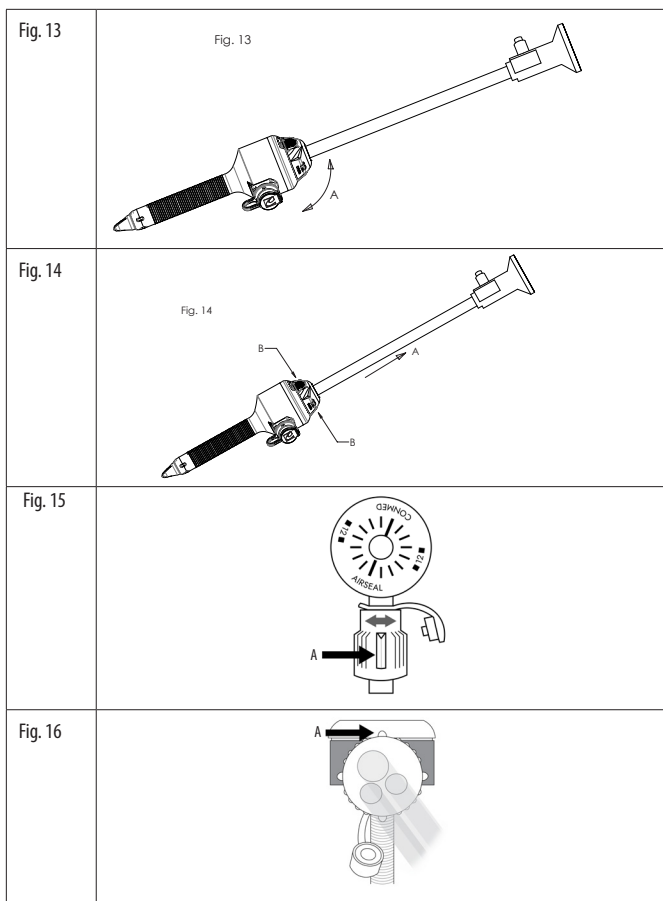


Fig. 12





ENGLISH

**AirSeal<sup>®</sup> IFS**

**AirSeal<sup>®</sup> Access Port**

Bladeless Optical Tip, Low Profile Bladeless Optical Tip, Palm Grip Bladeless Optical Tip, and Blunt Tip Access Ports

**AirSeal<sup>®</sup> Filtered Tube Sets**

Tri-Lumen Filtered Tube Set with Activated Charcoal Filter, Bifurcated Smoke Evac Filtered Tube Set with Activated Charcoal Filter, Single Lumen Filtered Tube Set

**Schematic View: Illustration and Nomenclature**

<p><b>AirSeal IFS (Fig. 1)</b></p> <ul style="list-style-type: none"> <li>A. ON/OFF Switch</li> <li>B. Touch Screen Display</li> <li>C. Receptacle for AirSeal and Smoke Evacuation Modes</li> <li>D. Lever for locking tube set in place</li> <li>E. Insufflation tube connection for Standard Insufflation Mode</li> </ul> <p><b>Bladeless Access Ports (Fig. 2/3)</b></p> <ul style="list-style-type: none"> <li>A. Manifold Plug</li> <li>B. Cannula</li> <li>C. Bladeless Optical Tip Obturator</li> <li>D. Cannula Latch</li> </ul> <p><b>Blunt Tip Access Ports (Fig. 4)</b></p> <ul style="list-style-type: none"> <li>A. Manifold Plug</li> <li>B. Cannula</li> <li>C. Blunt Tip Obturator</li> <li>D. Spring Anchor – Suture Tie Down Anchor Device</li> </ul> <p><b>Optional Sound Cap (Fig. 5)</b></p>	<p><b>Tube Sets (Fig. 6/7/8)</b></p> <ul style="list-style-type: none"> <li>A. Filter</li> <li>B. 8-10 ft. Tube</li> <li>C. Luer Lock Fitting</li> <li>D. Single Lumen Adapter Assembly</li> <li>E. Thumb Collar</li> </ul> <p><b>AirSeal Mode (Fig. 9)</b></p> <p><b>Smoke Evacuation Mode (Fig. 10)</b></p> <p><b>Standard Insufflation Mode (Fig. 11)</b></p> <p><b>Endoscope Insertion (Fig. 12)</b></p> <ul style="list-style-type: none"> <li>A. AirSeal Access Port</li> <li>B. Appropriately Sized Endoscope</li> </ul> <p><b>Endoscope Insertion (Fig. 13)</b></p> <ul style="list-style-type: none"> <li>A. Rotating motion during insertion will ease insertion force</li> </ul> <p><b>Endoscope Removal (Fig. 14)</b></p> <ul style="list-style-type: none"> <li>A. Retract endoscope</li> <li>B. Press here to release cannula</li> </ul> <p><b>Top View of AirSeal Access Port with proper connection to AirSeal Tube Set (Fig. 15)</b></p> <ul style="list-style-type: none"> <li>A. Tube Set Bullseye Connector Fin</li> </ul> <p><b>Front View of AirSeal Access Port with proper connection to AirSeal Tube Set (Fig. 16)</b></p> <ul style="list-style-type: none"> <li>A. Tube Set Bullseye Connector Fin</li> </ul>
--	--

## **IMPORTANT! BEFORE USING PRODUCT, READ THE FOLLOWING INFORMATION THOROUGHLY.**

This booklet is designed to assist in using this product. It is not a reference to surgical techniques. In addition, please refer to the Instructions For Use of the AirSeal IFS for full instructions on the AirSeal IFS and all modes of operation.

### **INDICATIONS FOR USE:**

The CONMED AirSeal<sup>®</sup> IFS System is intended for use in diagnostic and/or therapeutic endoscopic procedures to distend a cavity by filling it with gas, to create and maintain a gas-sealed obstruction-free path of entry for endoscopic instruments and to evacuate surgical smoke. It is indicated for use in abdominal, thoracic, and pediatric procedures where insufflation is desired to facilitate the use of various thoracoscopic and laparoscopic instruments by filling the abdominal or thoracic cavity with gas to distend it, by creating and maintaining a gas sealed obstruction-free instrument path and by evacuating surgical smoke. This instrument can also be used to insufflate the rectum and colon to facilitate endoscopic observation, diagnosis, and treatment. The trocar of the AirSeal<sup>®</sup> IFS System is indicated for use with or without visualization.

### **The AirSeal IFS has three modes of operation:**

- 1. AirSeal Mode (Fig. 9)**
- 2. Smoke Evacuation Mode (Fig. 10)**
- 3. Standard Insufflation Mode (Fig. 11)**

#### **AirSeal Mode:**

When used in the AirSeal Mode, the AirSeal IFS is designed to provide CO<sub>2</sub> gas delivery with stable pneumoperitoneum and continuous smoke evacuation during laparoscopic surgery and requires the use of the AirSeal IFS, AirSeal Access Port, and Tri-Lumen Filtered Tube Set with Activated Charcoal Filter. The Tri-Lumen Filtered Tube Set with Activated Charcoal Filter is used to connect the AirSeal Access Port to the AirSeal IFS (Fig. 9).

#### **Smoke Evacuation Mode:**

When used in the Smoke Evacuation Mode, the AirSeal IFS is designed to provide CO<sub>2</sub> gas delivery and continuous smoke evacuation during laparoscopic surgery and requires the use of the AirSeal IFS, two conventional (Non-AirSeal) Trocars with standard Luer ports, and the Bifurcated Smoke Evac Tube Set with Activated Charcoal Filter. The two conventional trocars are used to connect the Bifurcated Smoke Evac Tube Set with Activated Charcoal Filter to provide CO<sub>2</sub> gas delivery along with a Smoke Evacuation pathway. The Bifurcated Smoke Evac Tube Set with Activated Charcoal Filter is bifurcated and connects to the two conventional trocars to the AirSeal IFS (Fig. 10).

#### **Standard Insufflation Mode:**

When used in Standard Insufflation Mode, the AirSeal IFS is designed to provide CO<sub>2</sub> gas delivery and Standard Insufflation during laparoscopic surgery in the same format as conventional insufflators, and requires the use of the AirSeal IFS, one conventional (Non-AirSeal) Trocar with standard Luer port, and the Single Lumen Filtered Tube Set. The Luer port on the trocar connects to the Single Lumen Filtered Tube Set to provide standard insufflation and CO<sub>2</sub> gas delivery. The Single Lumen Filtered Tube Set connects one conventional trocar to the AirSeal IFS (Fig. 11).

### **The AirSeal Access Port has two available configurations:**

- 1. Bladeless Optical Tip Access Port (Figs. 2 & 3)**
- 2. Blunt Tip Access Port (Fig. 4)**

If any of the Bladeless Optical Tip Access Ports are used for primary entry, use of a laparoscope to provide visualization is recommended to enhance safe abdominal entry.

### **The AirSeal Tube Sets have three available configurations:**

- 1. Tri-Lumen Filtered Tube Set with Activated Charcoal Filter (Fig. 6)**
- 2. Bifurcated Smoke Evac Tube Set with Activated Charcoal Filter (Fig. 7)**
- 3. Single Lumen Filtered Tube Set (Fig. 8)**

Ensure that the proper tube set is used based on the mode selected on the AirSeal IFS. The selected AirSeal IFS mode will not proceed, and a warning message will appear, if the wrong tube set is inserted.

The filtered tube sets are not designed to take in fluid. If fluid enters the filter, a warning message will appear on the touch screen display of the AirSeal IFS. If this happens, check cannula placement, and prepare to replace the tube set.

### **WARNINGS:**

- Failure to properly follow the instructions for use can lead to serious surgical consequences.
- Only qualified physicians with knowledge, experience, and training in laparoscopic techniques should use the components of the AirSeal System.
- These instructions for use do not include descriptions or instructions for surgical techniques or laparoscopic procedures. It is the responsibility of the physician performing any procedure to determine the appropriateness of the type of procedure to be performed with the use of these products and to determine the specific technique for each patient.
- The enclosed components of the AirSeal System are only sterile if used before the expiration date and if the package is unopened and undamaged. DO NOT use after the expiration date or if package is open or damaged.
- All single-use AirSeal System devices (Access Ports and Tube Sets) are packaged and sterilized for single patient use only. Do not reuse, reprocess, or resterilize. Reuse, reprocessing, or resterilization may compromise the structural integrity of the device and/or lead to device failure, which in turn may result in patient injury, illness, or death. Also, reprocessing or resterilization of single-use devices may create a risk of contamination and/or patient infection or cross-infection including, but not limited to, the transmission of infectious disease(s) from one patient to another. Device contamination may lead to patient injury, illness, or death.
- Do not submerge the tip of the cannula in irrigation or bodily fluids.
- The AirSeal IFS alarm will sound if the cooling vents are blocked on the sides or the bottom of the control console. If the alarm sounds, check for any blockage of the cooling vents.
- If the above conditions DO NOT exist and the alarm continues to sound, stop using the AirSeal IFS and return to the manufacturer for servicing.

### **PRECAUTIONS:**

- The creation of pneumoperitoneum has known physiologic side effects, including decreased venous return, decreased cardiac output, reduced renal function, increased intracranial pressure, increased airway resistance, and reduced pulmonary compliance.
- Only persons having adequate training, familiarity, and relevant competence with minimally invasive surgical techniques should perform minimally invasive procedures. Consult medical literature relative to techniques, complications, and hazards prior to performance of any minimally invasive procedure.
- A thorough understanding of the principles and techniques involved in laser, electrosurgical, and ultrasonic procedures is essential to avoid shock and burn hazards to both patient and medical personnel and damage to the device or other medical instruments. Ensure that electrical insulation or grounding is not compromised.
- The possibility of air entrapment exists under the following conditions:
  - Severe pressure applied externally to the abdomen
  - Severe and protracted leaking through other conventional ports in place or an open incision
  - Severe and prolonged suction
- During these conditions as described above, the displacement of the insufflation gas with air is temporary and the entrained air will be displaced by CO<sub>2</sub>.
- It is recommended to not exceed insufflation pressures >15 mm Hg in colo-rectal procedures.
- Higher insufflation pressures (> 15 mm Hg) of carbon dioxide insufflation can increase the risk of hypercarbia, subcutaneous emphysema, pneumomediastinum, pneumothorax, pneumoscrotum, and urinary retention.
- If using the optional Sound Cap (8 mm, 12 mm):
  - Inspect Sound Cap foam and seal prior to use.
  - Inspect the Sound Cap after use for physical damage of any kind.

- Use extreme caution during AirSeal Access Port insertion. Improper use of this product can result in life-threatening injury to internal organs and vessels.
  - Ensure that adequate pneumoperitoneum or pneumorectum is established
  - Ensure that the patient is properly positioned so that organs are away from the penetration site
  - Direct the AirSeal Access Port's tip away from significant vessels and organs
  - Take care that the outer wall of the AirSeal Access Port is only in contact with tissue and is neither trapped between nor collides with hard surfaces, such as other instruments or bone. Prolonged or sudden contact with hard surfaces can result in damage to or breakage of the Access Port.
  - Do not use excessive downward force
- Only surgical hand instruments should be passed down the AirSeal Access Port. DO NOT insert trocars or robotic instruments down the AirSeal Access Port. Improper use can result in damage to or breakage of the Access Port.
- The design features of the Bladeless Optical Tip Access Port are intended to minimize the likelihood of penetration injury to underlying anatomical structures. However, the standard precautionary measures employed in all such insertions must be observed.
- Although the Bladeless Optical Tip Access Port has a "bladeless" tip, care must still be taken, as with all such devices, to avoid damage to major vessels and other anatomic structures (such as bowel or mesentery). To minimize the risk of such injury, be sure to:
  - Establish adequate pneumoperitoneum or pneumorectum;
  - Properly position the patient to help displace organs out of the area of penetration
  - Note important anatomical landmarks
  - Direct AirSeal Access Port's tip away from major vessels and structures
  - Do not use excessive or uncontrolled force
  - Employ optical entry technique whenever possible.
- Once partial entry has been accomplished, very little force is required to complete entry. Excessive force may cause injury to underlying anatomic structures.
- Once proper entry has been made endoscopically, the Bladeless Optical Tip Access Port should not be advanced for additional penetration. Continued entry of the Access Port at this point could cause injury to underlying anatomic structures.
- Once a safe and proper entry has been achieved, ensure that the black line at the distal tip of the AirSeal Access Port is visible within the cavity at all times the AirSeal Access Port is being used for insufflation.
- Do not attempt secondary trocar punctures until the primary site and recommended intraabdominal pressure (usually 12-18 mm Hg) are established.
- After removing the Cannula from the cavity, always inspect the site for hemostasis. If hemostasis is not present, appropriate techniques should be used to achieve hemostasis.
- The Tri-Lumen Filtered Tube Set with Activated Charcoal Filter and Bifurcated Smoke Evac Tube Set with Activated Charcoal Filter are equipped with fluid sensors to monitor the fluid level in the filters and to warn users of a possible device contamination. If the fluid trap of the filter housing is filled to the **Low** fluid level, a warning message is depicted on the touch screen display and an audible signal is emitted. Cannula and tubing placement should be checked to make sure no more fluid enters the filter. At this point, reinsert obturator into AirSeal Access Port and change the filtered tube set.
- Instruments, or devices, which come into contact with bodily fluids, may require special disposal handling to prevent biological contamination.

#### CONTRAINDICATIONS

This AirSeal IFS is contraindicated for use when endoscopic minimally invasive techniques are contraindicated.

**IMPORTANT:** This package insert is designed to provide instructions for use. It is not a reference or guide for trocar insertion techniques. Successful use of a bladeless optical tip trocar as the primary port after insufflation depends upon recognizing and differentiating between tissue layers. Therefore, new users should utilize the optical tip trocars as a secondary port following insufflation to gain experience and procedural competence in visualizing the tissue layers. Only after achieving experience with the above technique should optical tip trocars be used as a primary port after insufflation.

**Note:** Visually inspect sterile barrier system(s) for any package integrity issues that could impact sterility prior to aseptic presentation. Do not use if any breaches in the sterile barrier system are found.

#### INSTRUCTIONS FOR USE

##### General Instructions for Use of the AirSeal Access Port for AirSeal Mode:

**Note:** Refer to IFS Instructions For Use for features associated with specific software revisions.

1. Turn ON the AirSeal IFS by pressing the ON/OFF Switch (Fig. 1, A).
2. Lever on AirSeal IFS should be in the up or UNLOCK position (Fig. 1, D).
3. Allow the initial self-check to conclude before inserting Tri-Lumen Filtered Tube Set.
4. Using sterile technique, remove the Tri-Lumen Tube Set from the package. To avoid damage, do not flip the device onto the sterile field.
5. Insert filter housing of the Tri-Lumen Tube Set into the Tube Set Receptacle located on the front of AirSeal IFS (Fig. 1, C).
6. Push the lever down into the LOCK position (Fig. 9), AirSeal mode will launch automatically.
 

**Note:** If AirSeal Pediatric Mode is activated, you will be prompted to select Adult or Pediatric AirSeal Mode. Refer to the Instructions For Use for the AirSeal IFS for specifics on Pediatric AirSeal mode.
7. Verify on the AirSeal IFS touch screen display that there is sufficient gas supply level (Fig. 1, B).
8. Select desired flow and pressure settings for the patient. Press "Confirm" to confirm patient settings.

**See further instructions below for Veress Needle Entry with the Bladeless Optical Tip Access Port. This technique is not used for Blunt Tip (Hasson-type) abdominal entry. If Veress needle entry technique is not used, proceed to step 9.**

- The Single Lumen Adapter is pre-attached to the Tri-Lumen Filtered Tube Set with Activated Charcoal Filter.
- Connect the Single Lumen Adapter to the Veress needle Luer port and insert in accordance with the manufacturer's instructions.
- Set desired flow and pressure values on the AirSeal IFS touch screen display.
- Push "Start" on the AirSeal IFS touch screen display, and Initial Insufflation will begin.
- After Initial Insufflation has been achieved, detach the Tri-Lumen Filtered Tube Set with Activated Charcoal Filter from the Single Lumen Adapter.
- Remove the Veress Needle.

***If the AirSeal Access Port is not the first trocar to be placed, keep the Single Lumen Adapter connected to the Tri-Lumen Filtered Tube Set with Activated Charcoal Filter, and transition the Single Lumen Adapter to the Luer port of the first conventional trocar placed. Only remove the Single Lumen Adapter once the AirSeal Access Port has been inserted.***

9. Using sterile technique, remove the AirSeal Access Port and optional Sound Cap (8 mm, 12 mm) from the package. To avoid damage, do not flip the device onto the sterile field.
10. The AirSeal Access Port (obturator and cannula) comes packaged pre-assembled, so there is no need to assemble them. Note: Should the Access Port require assembly, insert the obturator into the cannula until they lock securely together.
11. Ensure that the obturator and cannula are properly assembled. **Note:** If using the Blunt Tip Access Port, ensure that the Spring Anchor is also in place (Fig. 4, D).
12. Create an incision using standard surgical procedures. (Note: Incision should accommodate diameter of cannula. An inadequate incision may cause increased resistance to insertion, increasing the required penetration force, and possibly resulting in a loss of control during entry.)

**The assembled Access Port is ready to be inserted. If using the Blunt Tip Access Port, use appropriate laparoscopic (Hasson-style entry) technique.**

13. Introduce the Access Port assembly through the skin incision using a 30° to 90° rotating motion. Apply continuous but controlled downward pressure on the handle.
14. Ensure that the Access Port is properly inserted. Do not remove obturator from cannula at this time. **Note:** If using the Blunt Tip Access Port, the Spring Anchor should be secured down to the patient's abdomen with suture, in the usual manner.

15. Ensure that the black line at the distal tip of the AirSeal Access Port is visible within the cavity at all times that the AirSeal Access Port is being used for insufflation.
16. Remove the manifold plug from the side of the cannula on the AirSeal Access Port and connect the distal end of the Tri-Lumen Filtered Tube Set with Activated Charcoal Filter to the cannula manifold and tighten.  
**Note:** If the AirSeal Tube Set and Access Port are not appropriately tightened, the pressure reading on the device may not reflect the pressure experienced by the patient. A secure connection can be visually confirmed when one of the white fins on the Tube Set bullseye connector aligns directly to the top of the Access Port (Fig. 15). Looking straight into the bullseye of the Access Port while the Tube Set is connected, one of the fins on the connector piece of the Tube Set should sit directly vertical to the Access Port (Fig. 16).
17. AirSeal will activate automatically. Leave obturator in place until audible tone and green "AirSeal active" message is shown.
18. Remove the obturator from the cannula by squeezing on the obturator latch buttons to unlock the two devices. **Note:** The Blunt Tip Access Port does not have latch buttons, so it can be removed by pulling the obturator straight out of the cannula.
19. Once AirSeal Mode is active, and the obturator has been removed from the AirSeal cannula, the flow rate will be automatic. **Note:** The level of smoke evacuation can be set to either a High or Low setting.
20. If desired, optional Sound Cap (8 mm, 12 mm) may be placed on cannula at this time. (**Note:** If using optional Sound Cap, use caution when inserting a sharp or large device through the cannula. The optional Sound Cap may be removed from the cannula at any time during the procedure and should be removed before inserting any sharp or large objects into the cannula.)
21. Upon completion of the procedure, press **STOP** on the touch screen display to stop AirSeal insufflation (**Note:** this will result in loss of pneumoperitoneum). Using standard laparoscopic technique, remove all surgical devices and close applicable port sites in the usual fashion. **Note:** When procedure is completed, AirSeal Mode will undergo a final calibration prior to shut down. During this process no pressure or insufflation is built up. Wait for final calibration to complete prior to removing the Tri-Lumen Filtered Tube Set with Activated Charcoal Filter or powering off the IFS.
22. Move the lever on the AirSeal IFS to the up or UNLOCK position.
23. Remove the Tri-Lumen Filtered Tube Set with Activated Charcoal Filter from the AirSeal IFS Tube Set Receptacle.
24. Because the functional test is performed during initial start up, the unit must be power cycled (off/on) prior to each surgery.

**See further instructions below for the Bladeless Optical Tip Access Port insertion with the use of an Endoscope.**

**Note: Refer to IFS Instructions For Use for features associated with specific software revisions.**

1. Connect the 0° endoscope to the light source and monitor as directed in the manufacturer's instructions. Verify proper connection of the endoscope and ensure clarity of the picture on the monitor.
2. Insert the endoscope into the opening at the proximal end of the Bladeless Optical Tip Access Port handle until it reaches the distal tip of the Access Port. (Endoscope Insertion; Fig. 12).
3. Rotate the endoscope as desired. (Endoscope Insertion; Fig. 13).
4. To provide a clear image on the monitor, insert the endoscope into the Bladeless Optical Tip Access Port handle, touch the optical tip to a convenient soft surface, and focus the camera.
5. Create an incision using standard surgical procedures. (**Note:** Incision should accommodate diameter of Cannula. An inadequate incision may cause increased resistance to insertion, increasing the required penetration force, and possibly resulting in a loss of control during entry.) Introduce the Access Port assembly through the skin incision using a 30° to 90° rotating motion. Apply continuous but controlled downward pressure on the handle.
6. During insertion of the Access Port, view the penetration of the Access Port through the individual tissue planes by using the laparoscope. The individual tissue planes may be seen as the Access Port advances.
7. Remove the laparoscope from the Bladeless Optical Tip Access Port (Endoscope Removal; Fig. 14).
8. Continue procedure in accordance with instructions above, beginning with step 13.

**INSTRUCTIONS FOR USE**

**Instructions For Use of the AirSeal Access Port for AirSeal Mode in Trans-Anal Applications:**

**Note: Refer to IFS Instructions For Use for features associated with specific software revisions.**

1. Turn ON the AirSeal IFS by pressing the ON/OFF Switch (Fig. 1, A).
2. Lever on AirSeal IFS should be in the up or UNLOCK position (Fig. 1, D).
3. Allow the initial self-check to conclude before inserting Tri-Lumen Filtered Tube Set.
4. Using sterile technique, remove the Tri-Lumen Tube Set from the package. To avoid damage, do not flip the device onto the sterile field.
5. Insert filter housing of the Tri-Lumen Tube Set into the Tube Set Receptacle located on the front of AirSeal IFS (Fig. 1, C).
6. Push the lever down into the LOCK position (Fig. 9), AirSeal mode will launch automatically.  
**Note:** If AirSeal Pediatric Mode is activated, you will be prompted to select Adult or Pediatric AirSeal Mode. Refer to the Instructions For Use for the AirSeal IFS for specifics on Pediatric AirSeal mode.
7. Verify on the AirSeal IFS touch screen display that there is sufficient gas supply level (Fig. 1, B).
8. Select desired flow and pressure settings for the patient. Press "Confirm" to confirm patient settings.
9. Using sterile technique, remove the AirSeal Access Port and optional Sound Cap (8 mm, 12 mm) from the package. To avoid damage, do not flip the device onto the sterile field.
10. The AirSeal Access Port (obturator and cannula) comes packaged pre-assembled, so there is no need to assemble them.  
**Note:** Should the Access Port require assembly, insert the obturator into the cannula until they lock securely together.
11. Ensure that the obturator and cannula are properly assembled.
12. Follow the instructions for use provided by the manufacturer of chosen trans-anal access platform device for placement into the rectum.
13. Insert the Access Port into the trans-anal access platform device through the appropriate lumen or cannula position. When inserting the Access Port into the trans-anal access platform device, introduce using a 30° to 90° rotating motion. Apply continuous but controlled axial pressure on the Access Port until secure in the trans-anal access platform device.
14. Ensure that the obturator and cannula are properly inserted. Do not remove obturator from cannula assembly at this time.
15. Remove the manifold plug from the side of the cannula on the AirSeal Access Port and connect the distal end of the Tri-Lumen Filtered Tube Set with Activated Charcoal Filter to the cannula manifold and tighten.  
**Note:** If the AirSeal Tube Set and Access Port are not appropriately tightened, the pressure reading on the device may not reflect the pressure experienced by the patient. A secure connection can be visually confirmed when one of the white fins on the Tube Set bullseye connector aligns directly to the top of the Access Port (Fig. 15). Looking straight into the bullseye of the Access Port while the Tube Set is connected, one of the fins on the connector piece of the Tube Set should sit directly vertical to the Access Port (Fig. 16).
16. AirSeal will activate automatically. Leave obturator in place until audible tone and green "AirSeal active" message is shown.
17. Remove the obturator from the cannula by squeezing on the obturator latch buttons to unlock the two devices.
18. Once AirSeal Mode is active, and the obturator has been removed from the AirSeal cannula, the flow rate will be automatic.  
**Note:** The level of smoke evacuation can be set to either a High or Low setting.
19. If desired, optional Sound Cap (8 mm, 12 mm) may be placed on cannula at this time. (**Note:** If using optional Sound Cap, use caution when inserting a sharp or large device through the cannula. The optional Sound Cap may be removed from the cannula at any time during the procedure and should be removed before inserting any sharp or large object into the cannula.)
20. Upon completion of the procedure, press **STOP** on the touch screen display to stop AirSeal insufflation (**Note:** this will result in loss of pneumoperitoneum). Using standard laparoscopic technique, remove all surgical devices and close applicable port sites in the usual fashion.  
**Note:** When procedure is completed, AirSeal Mode will undergo a final calibration prior to shut down. During this process no pressure or insufflation is built up. Wait for final calibration to complete prior to removing the Tri-Lumen Filtered Tube Set with Activated Charcoal Filter or powering off the IFS.
21. Move the lever on the AirSeal IFS to the up or UNLOCK position.
22. Remove the Tri-Lumen Filtered Tube Set with Activated Charcoal Filter from the AirSeal IFS Tube Set Receptacle.
23. Because the functional test is performed during initial start up, the unit must be power cycled (off/on) prior to each surgery.

## General Instructions for Use in - Smoke Evacuation and Standard Insufflation Modes:

### INITIAL INSUFFLATION WITH VERESS NEEDLE

**Note: Refer to iFS Instructions For Use for features associated with specific software revisions.**

1. Turn ON the AirSeal iFS by pressing the ON/OFF Switch (Fig. 1, A).
2. At conclusion of diagnostic self-check, select either Smoke Evacuation Mode, or Standard Insufflation Mode on the touch screen display, from the mode selection list on the AirSeal iFS (Fig. 1, B).
3. Verify on the AirSeal iFS touch screen display that there is sufficient gas supply level (Fig. 1, B).
4. Connect appropriate tube set to the AirSeal iFS (See specific instructions below for connecting the Bifurcated Smoke Evac Tube Set with Activated Charcoal Filter).  
**Note:** Unlike the other tube sets, the single lumen tube set connects to the insufflation tube connecting post on the front of the AirSeal iFS.
5. Connect the Luer lock connector of the tube set to the end of a Veress needle or conventional Trocar in the usual manner. (See specific instructions below for connecting the Bifurcated Smoke Evac Tube Set with Activated Charcoal Filter).
6. Set desired flow and pressure values on the AirSeal iFS touch screen display. Press "Confirm" to confirm patient settings.
7. Push "Start" on the AirSeal iFS touch screen display, and Initial Insufflation will begin.
8. After Initial Insufflation has been achieved **insert the conventional Trocar with standard Luer ports.**
9. Upon completion of the procedure, press **STOP** on the touch screen display to stop insufflation (**Note:** this will result in loss of pneumoperitoneum). Using standard laparoscopic technique, remove all surgical devices and close applicable port sites in the usual fashion.
10. Remove the Tube Set from the AirSeal iFS (See specific instructions below for removal of the Bifurcated Smoke Evac Tube Set with Activated Charcoal Filter).
11. Because the functional test is performed during initial start up, the unit must be power cycled (off/on) prior to each surgery.

### See further instructions below for the Bifurcated Smoke Evac Tube Set with Activated Charcoal Filter

#### For use with two conventional trocars with standard Luer ports and the Bifurcated Smoke Evac Tube Set with Activated Charcoal Filter.

Clear Tube: Insufflation

Blue Tube: Smoke Evacuation

#### Attaching the Bifurcated Smoke Evac Tube Set with Activated Charcoal Filter

**Note: Refer to iFS Instructions For Use for features associated with specific software revisions.**

1. Lever on AirSeal iFS should be in the up or UNLOCK position (Fig. 1, D).
2. Insert filter housing of the Bifurcated Smoke Evac Tube Set with Activated Charcoal Filter into the Tube Set Receptacle located on the front of the AirSeal iFS (Fig. 1, C).
3. Push the lever down into the LOCK position.
4. Attach Veress needle to Luer lock connector of the clear tube on the Bifurcated Smoke Evac Tube Set with Activated Charcoal Filter.
5. Set desired flow and pressure values on AirSeal iFS touch screen display. Press "Confirm" to confirm patient settings.
6. Push "Start" on the AirSeal iFS touch screen display and Initial Insufflation will begin.
7. Ensure that the cannulas are properly inserted.
8. Remove Veress needle and disconnect from Bifurcated Smoke Evac Tube Set with Activated Charcoal Filter.
9. Connect the Luer lock connector of the **CLEAR** tube of the Bifurcated Smoke Evac Tube Set with Activated Charcoal Filter to the conventional cannula. Open the inflow valve/stopcock.
10. Follow the prompts on the AirSeal iFS touch screen display. When instructed, connect the Luer lock connector of the **BLUE** tube of the Bifurcated Smoke Evac Tube Set with Activated Charcoal Filter to a different conventional cannula. Insufflation remains active.
11. When the Luer lock of the connector of the **BLUE** tube Bifurcated Smoke Evac Tube Set with Activated Charcoal Filter is connected to the second conventional cannula, Smoke Evacuation is activated.

**SERIOUS INCIDENTS - Immediately report any serious incidents with the use of this device to the CONMED Customer Service Department or your local CONMED representative. Email: [CustomerExperience@CONMED.com](mailto:CustomerExperience@CONMED.com)**

#### Removal of the Bifurcated Smoke Evac Tube Set with Activated Charcoal Filter

**Note: Refer to iFS Instructions For Use for features associated with specific software revisions.**

1. Upon completion of the procedure, press **STOP** on the touch screen display to stop insufflation (**Note:** this will result in loss of pneumoperitoneum). Using standard laparoscopic technique, remove all surgical devices and close applicable port sites in the usual fashion.
2. Move lever on the AirSeal iFS to the up or UNLOCK position.
3. Remove the Bifurcated Smoke Evac Tube Set with Activated Charcoal Filter from the AirSeal iFS Tube Set Receptacle.
4. Because the functional test is performed during initial start up, the unit must be power cycled (off/on) prior to each surgery.

### DISPOSAL

Dispose of the device in accordance with local hospital requirements.

### HOW SUPPLIED

Each of the AirSeal Optical Access Port, AirSeal Low Profile Access Port, Optional Sound Cap (8 mm, 12 mm), AirSeal Blunt Tip Access Port, AirSeal Cannula, Bifurcated Smoke Evac Tube Set with Activated Charcoal Filter, Tri-Lumen Filtered Tube Set with Activated Charcoal Filter, Single Lumen Tube Set, and AirSeal Single Lumen Adapter, are supplied sterile through gamma radiation for single patient use. Discard after use. The AirSeal Access Ports, Sound Caps, and Tube Sets are not made with Natural Rubber Latex.

The AirSeal iFS is non-sterile and reusable.

AirSeal® is a registered trademark of CONMED Corporation.

**Rx ONLY** CAUTION: Federal Law (U.S.A.) restricts this device to sale by or on the order of a physician.

**iFS AirSeal®**Port d'accès **AirSeal®**

Ports d'accès à pointe optique sans lame, à pointe optique sans lame bas profil, à pointe optique sans lame Palm Grip et à pointe mousse

Ensembles à tube filtré **AirSeal®**

Ensemble à tube filtré à triple lumière avec filtre à charbon actif, ensemble à tube d'évacuation de la fumée bifurquée avec filtre à charbon actif, ensemble à tube filtré à lumière unique

**Vue schématique : illustration et nomenclature**

<p><b>iFS AirSeal (Fig. 1)</b></p> <p>A. Commutateur Marche/Arrêt</p> <p>B. Écran tactile</p> <p>C. Prise pour les modes d'évacuation de la fumée et AirSeal</p> <p>D. Levier pour le verrouillage de l'ensemble à tube</p> <p>E. Raccord du tube d'insufflation pour le mode d'insufflation standard</p> <p><b>Ports d'accès sans lame (Fig. 2/3)</b></p> <p>A. Prise de collecteur</p> <p>B. Canule</p> <p>C. Obturateur à pointe optique sans lame</p> <p>D. Verrou de canule</p> <p><b>Ports d'accès à pointe mousse (Fig. 4)</b></p> <p>A. Prise de collecteur</p> <p>B. Canule</p> <p>C. Obturateur à pointe mousse</p> <p>D. Ancre à ressort — Dispositif d'ancrage à attache par suture</p> <p><b>Capuchon antibruit en option (Fig. 5)</b></p>	<p><b>Ensembles à tube (Fig. 6/7/8)</b></p> <p>A. Filtre</p> <p>B. Tube de 8–10 pieds (2,44–3,05 m)</p> <p>C. Raccord Luer Lock</p> <p>D. Adaptateur pour lumière unique</p> <p>E. Collier pouce</p> <p><b>Mode AirSeal (Fig. 9)</b></p> <p><b>Mode d'évacuation de la fumée (Fig. 10)</b></p> <p><b>Mode d'insufflation standard (Fig. 11)</b></p> <p><b>Insertion de l'endoscope (Fig. 12)</b></p> <p>A. Port d'accès AirSeal</p> <p>B. Endoscope de taille adaptée</p> <p><b>Insertion de l'endoscope (Fig. 13)</b></p> <p>A. Un mouvement de rotation pendant l'insertion atténue la force d'insertion</p> <p><b>Retrait de l'endoscope (Fig. 14)</b></p> <p>A. Rétracter l'endoscope</p> <p>B. Appuyer ici pour libérer la canule</p> <p><b>Vue de dessus du port d'accès AirSeal avec raccordement correct à l'ensemble à tube AirSeal (Fig. 15)</b></p> <p>A. Ailette de connecteur œil de bœuf à ensemble à tube</p> <p><b>Vue de face du port d'accès AirSeal avec raccordement correct à l'ensemble à tube AirSeal (Fig. 16)</b></p> <p>A. Ailette de connecteur œil de bœuf à ensemble à tube</p>
---	--

**IMPORTANT ! AVANT D'UTILISER LE PRODUIT, LIRE INTÉGRALEMENT LES INFORMATIONS SUIVANTES.**

Le présent livret est conçu pour aider à utiliser ce produit. Il ne s'agit pas d'une référence à des techniques chirurgicales. Consulter également le mode d'emploi de l'iFS AirSeal pour des instructions complètes sur l'iFS AirSeal et tous les modes de fonctionnement.

**INDICATIONS :**

Le système iFS AirSeal® de CONMED est destiné à être utilisé dans les interventions endoscopiques de diagnostic et/ou thérapeutiques pour dilater une cavité en remplissant de gaz, pour créer et maintenir un accès étanche aux gaz et libre de tout obstacle pour l'instrument et pour évacuer les fumées chirurgicales. Il est indiqué pour les interventions abdominales, thoraciques et pédiatriques dans lesquelles une insufflation facilite l'utilisation de plusieurs instruments thoracoscopiques et laparoscopiques par remplissage et dilatation de l'abdomen ou de la cavité thoracique à l'aide de gaz ; il permet la création et le maintien d'un accès étanche aux gaz et libre de tout obstacle pour l'instrument ainsi que l'aspiration de la fumée chirurgicale. Ce système peut également servir à la dilatation du rectum et du colon afin de permettre un suivi endoscopique ainsi que des interventions diagnostiques et thérapeutiques. Le trocart du système iFS AirSeal® est indiqué pour une utilisation avec ou sans visualisation.

**L'iFS AirSeal offre trois modes de fonctionnement :**

1. **Mode AirSeal (Fig. 9)**
2. **Mode d'évacuation de la fumée (Fig. 10)**
3. **Mode d'insufflation standard (Fig. 11)**

**Mode AirSeal :**

Lorsqu'il est utilisé en mode AirSeal, l'iFS AirSeal est conçu pour injecter du CO<sub>2</sub> avec un pneumopéritoine stable et une évacuation continue de la fumée pendant l'opération laparo-endoscopique, et nécessite l'utilisation de l'iFS AirSeal, du port d'accès AirSeal et de l'ensemble à tube à triple lumière AirSeal avec filtre à charbon actif. L'ensemble à tube à triple lumière avec filtre à charbon actif sert à relier le port d'accès AirSeal à l'iFS AirSeal (Fig. 9).

**Mode d'évacuation de la fumée :**

Lorsqu'il est utilisé en mode d'évacuation de la fumée, l'iFS AirSeal est conçu pour injecter du CO<sub>2</sub> et évacuer la fumée en continu pendant l'opération laparo-endoscopique, et nécessite l'utilisation de l'iFS AirSeal, de deux trocarts classiques (non AirSeal) avec des ports Luer standard, et de l'ensemble à tube d'évacuation de la fumée bifurquée avec filtre à charbon actif. Les deux trocarts classiques servent à connecter l'ensemble à tube d'évacuation de la fumée bifurquée avec filtre à charbon actif pour injecter du CO<sub>2</sub> tout en fournissant une voie d'évacuation de la fumée. L'ensemble à tube d'évacuation de la fumée bifurquée avec filtre à charbon actif est bifurqué et relie les deux trocarts classiques à l'iFS AirSeal (Fig. 10).

**Mode d'insufflation standard :**

Lorsqu'il est utilisé en mode d'insufflation standard, l'iFS AirSeal est conçu pour injecter du CO<sub>2</sub> et apporter une insufflation standard pendant l'opération laparo-endoscopique de la même manière que les insufflateurs classiques, et nécessite l'utilisation de l'iFS AirSeal, d'un trocart classique (*non AirSeal*) avec port Luer standard, et de l'ensemble à tube filtré à lumière unique. Le port Luer sur le trocart se connecte à l'ensemble à tube filtré à lumière unique pour fournir une insufflation standard et une libération de CO<sub>2</sub>. L'ensemble à tube filtré à lumière unique relie un trocart classique à l'iFS AirSeal (Fig. 11).

**Le port d'accès AirSeal offre deux configurations possibles :**

1. **Port d'accès à pointe optique sans lame (Fig. 2 et 3)**
2. **Port d'accès à pointe mousse (Fig. 4)**

Si l'un des ports d'accès à pointe optique sans lame est utilisé pour l'entrée principale, l'utilisation d'un laparoscope pour permettre la visualisation est recommandée pour renforcer la sûreté de l'entrée dans l'abdomen.

**Les ensembles à tube AirSeal offrent trois configurations possibles :**

1. **Ensemble à tube filtré à triple lumière avec filtre à charbon actif (Fig. 6)**
2. **Ensemble à tube d'évacuation de la fumée bifurquée avec filtre à charbon actif (Fig. 7)**
3. **Ensemble à tube filtré à lumière unique (Fig. 8)**

Veiller à ce que l'ensemble à tube approprié soit utilisé en fonction du mode sélectionné sur l'iFS AirSeal. Le mode iFS AirSeal sélectionné ne fonctionnera pas, et un message d'avertissement s'affichera, si l'ensemble à tube inséré n'est pas le bon.

Les ensembles à tube filtré ne sont pas conçus pour transporter des liquides. Si du liquide pénètre dans le filtre, un message d'avertissement apparaîtra sur l'écran tactile de l'iFS AirSeal. Dans ce cas, vérifier le placement de la canule et se préparer à remplacer l'ensemble à tube.

## AVERTISSEMENTS :

- Le non-respect des instructions de ce mode d'emploi peut avoir des conséquences chirurgicales graves.
- Les composants du système AirSeal ne doivent être utilisés que par des médecins qualifiés possédant les connaissances, l'expérience et la formation requises en matière de techniques laparoscopiques.
- Ce mode d'emploi ne contient pas de descriptions ni d'instructions concernant les techniques chirurgicales ou les interventions laparoscopiques. Il incombe au médecin qui exécute une intervention quelle qu'elle soit de déterminer l'adéquation du type d'intervention à effectuer en utilisant ces produits, et de déterminer la technique spécifique pour chaque patient.
- Les composants inclus du système AirSeal sont stériles uniquement s'ils sont utilisés avant la date de péremption et si l'emballage n'a pas été ouvert ni endommagé. NE PAS utiliser après la date de péremption ou si l'emballage est ouvert ou endommagé.
- Tous les dispositifs à usage unique du système AirSeal (ports d'accès et ensembles à tube) sont conditionnés et stérilisés pour une utilisation sur un seul patient uniquement. Ne pas réutiliser, retraiter ou restériliser. La réutilisation, le retraitement ou la restérilisation peuvent compromettre l'intégrité structurelle du dispositif et/ou provoquer une défaillance du dispositif, pouvant par la suite entraîner des lésions, une maladie ou le décès du patient. De même, le retraitement ou la restérilisation de dispositifs à usage unique peuvent également créer un risque de contamination du dispositif et/ou d'infection ou d'infection croisée chez le patient, y compris, mais sans s'y limiter, la transmission de maladies infectieuses d'un patient à l'autre. La contamination du dispositif peut entraîner des lésions, une maladie ou le décès du patient.
- Ne pas immerger l'extrémité de la canule dans des liquides d'irrigation ou dans des liquides corporels.
- L'alarme de l'IFS AirSeal retentit si les fentes d'aération sont obstruées sur les côtés ou sur le fond de la console de commande. Si l'alarme retentit, vérifier que les fentes d'aération ne sont pas obstruées.
- Si les conditions ci-dessus NE SONT PAS présentes et que l'alarme continue de sonner, cesser d'utiliser l'IFS AirSeal et renvoyer l'appareil au fabricant pour réparation.

## MISES EN GARDE :

- La création d'un pneumopéritoine a des effets physiologiques indésirables connus, y compris diminution du retour veineux, diminution du débit cardiaque, réduction de la fonction rénale, augmentation de la pression intracrânienne, augmentation de la résistance des voies respiratoires et baisse de la compliance pulmonaire.
- Les interventions mini-invasives ne doivent être effectuées que par des médecins possédant la formation nécessaire, connaissant bien les techniques chirurgicales mini-invasives et ayant les compétences adéquates. Consulter la documentation médicale concernant les techniques, les complications et les risques avant de procéder à toute intervention mini-invasive.
- Une compréhension approfondie des principes et des techniques impliqués dans les interventions au laser, électrochirurgicales et aux ultrasons est essentielle pour éviter les risques de chocs et de brûlures tant pour le patient que pour le personnel médical, ainsi que la détérioration du dispositif ou d'autres instruments médicaux. Vérifier que l'isolation électrique ou la mise à la terre n'est pas compromise.
- Il existe un risque d'entraînement d'air dans les conditions suivantes :
  - Forte pression externe appliquée sur l'abdomen
  - Fuite grave et prolongée à travers d'autres ports classiques mis en place ou à travers une incision ouverte
  - Aspiration forte et prolongée
- Quand les conditions décrites ci-dessus sont présentes, le déplacement du gaz d'insufflation avec l'air est temporaire et l'air entraîné est repoussé par le CO<sub>2</sub>.
- Il est recommandé de ne pas dépasser la pression d'insufflation de > 15 mm Hg lors des interventions colorectales.
- Des pressions d'insufflation plus élevées (> 15 mm Hg) du dioxyde de carbone peuvent augmenter le risque d'hypercapnie, d'emphysème sous-cutané, de pneumomédiastin, de pneumothorax, de pneumocrotum et de rétention urinaire.
- Si le capuchon antibruit en option est utilisé (8 mm, 12 mm) :
  - Inspecter la mousse et le joint du capuchon antibruit avant usage.
  - Inspecter le capuchon antibruit après usage afin de vérifier l'absence de dommages matériels.
- Agir avec une extrême précaution pendant l'insertion du port d'accès AirSeal. L'utilisation incorrecte de ce produit peut entraîner des lésions des organes internes et des vaisseaux qui mettent en jeu le pronostic vital.
  - Vérifier qu'un pneumopéritoine ou pneumorectum adéquat est établi.
  - S'assurer que le patient est positionné correctement afin que les organes soient éloignés du site de pénétration.
  - Orienter l'extrémité du port d'accès AirSeal à distance des vaisseaux et organes importants.
  - Veiller à ce que la paroi extérieure du port d'accès AirSeal soit uniquement en contact avec les tissus et ne soit pas coincée entre des surfaces dures, telles que d'autres instruments ou des os, ni n'entre en collision avec elles. Un contact prolongé ou soudain avec des surfaces dures peut endommager ou casser le port d'accès.
  - Ne pas exercer de force excessive vers le bas.
- Seuls des instruments chirurgicaux manuels doivent passer par le port d'accès AirSeal. NE PAS insérer de trocarts ou d'instruments robotiques dans le port d'accès AirSeal. Une utilisation incorrecte peut endommager ou casser le port d'accès.
- Les caractéristiques de conception du port d'accès à pointe optique sans lame visent à minimiser les risques de blessures par pénétration des structures anatomiques sous-jacentes. Toutefois, les mesures de précaution standard employées dans toutes les insertions doivent être respectées.
- Bien que le port d'accès à pointe optique sans lame ait une pointe « sans lame », il faut veiller, comme avec tous les dispositifs de ce genre, à éviter d'endommager les vaisseaux principaux et autres structures anatomiques (comme l'intestin ou le mésentère). Pour réduire les risques de telles lésions, veiller à :
  - Établir un pneumopéritoine ou pneumorectum adéquat.
  - Positionner correctement le patient afin de faciliter le déplacement des organes hors de la zone de pénétration.
  - Noter les repères anatomiques importants.
  - Orienter l'extrémité du port d'accès AirSeal à distance des principaux vaisseaux et structures.
  - Ne pas exercer de force excessive ou incontrôlée.
  - Employer une technique d'insertion optique chaque fois que cela est possible.
- Une fois qu'une entrée partielle a été obtenue, il suffit d'une très faible force pour achever l'insertion. Une force excessive peut causer des lésions aux structures anatomiques sous-jacentes.
- Une fois qu'une entrée appropriée a été réalisée sous endoscopie, il ne faut plus avancer le port d'accès à pointe optique sans lame pour pénétrer davantage. La progression continue du port d'accès à ce stade peut causer des lésions aux structures anatomiques sous-jacentes.
- Une fois qu'une entrée sûre et correcte a été obtenue, vérifier que la ligne noire sur l'extrémité distale du port d'accès AirSeal est visible dans la cavité à tout moment pendant que le port d'accès AirSeal est utilisé pour l'insufflation.
- Ne pas tenter de réaliser des ponctions de trocart secondaires tant que le site primaire et la pression intra-abdominale recommandée (habituellement 12 à 18 mm Hg) n'ont pas été établis.
- Après retrait de la canule de la cavité, toujours inspecter le site pour l'hémostase. Si l'hémostase ne se fait pas, utiliser des techniques appropriées pour l'obtenir.
- L'ensemble à tube filtré à triple lumière avec filtre à charbon actif et l'ensemble à tube d'évacuation de la fumée bifurquée avec filtre à charbon actif sont équipés de capteurs de liquide pour surveiller le niveau de liquide dans les filtres et avertir les utilisateurs d'une contamination possible du dispositif. Si le piège à liquide du boîtier filtrant est rempli jusqu'au niveau de liquide **Low** (Bas), un message d'avertissement s'affiche sur l'écran tactile et un signal sonore retentit. La mise en place de la canule et de la tubulure doit être contrôlée pour s'assurer que plus aucun liquide ne pénètre dans le filtre. À ce stade, réinsérer l'obturateur dans le port d'accès AirSeal et changer l'ensemble à tube filtré.
- Les instruments ou les dispositifs qui entrent en contact avec des liquides corporels peuvent nécessiter une mise au rebut spéciale afin d'éviter toute contamination biologique.

## CONTRE-INDICATIONS

L'IFS AirSeal ne doit pas être utilisé lorsque des techniques mini-invasives endoscopiques sont contre-indiquées.

**IMPORTANT :** la présente notice est conçue comme un mode d'emploi. Il ne s'agit pas d'une référence ou d'un guide concernant les techniques d'insertion des trocarts. Le succès de l'utilisation d'un trocart à pointe optique sans lame comme port principal après insufflation dépend de la capacité à reconnaître et différencier les différentes couches de tissus. Par conséquent, les nouveaux utilisateurs doivent utiliser les trocarts à pointe optique comme port secondaire après insufflation pour gagner expérience et compétence en visualisation des couches de tissus. Ce n'est qu'après avoir acquis de l'expérience avec la technique ci-dessus qu'un chirurgien peut utiliser les trocarts à pointe optique comme port principal après insufflation.

**Remarque :** Inspecter visuellement le ou les systèmes de barrière stérile pour détecter tout problème d'intégrité de l'emballage qui pourrait avoir un impact sur la stérilité avant la présentation aseptique. Ne pas utiliser en cas de brèche dans le système de barrière stérile.

## MODE D'EMPLOI

### Instructions générales pour l'utilisation du port d'accès AirSeal pour le mode AirSeal :

**Remarque :** Consulter le mode d'emploi de l'IFS pour connaître les fonctionnalités associées aux révisions logicielles spécifiques.

1. Mettre en marche l'IFS AirSeal en appuyant sur le commutateur Marche/Arrêt (Fig. 1, A).
2. Le levier de l'IFS AirSeal doit être en position haute ou UNLOCK (Déverrouillée) (Fig. 1, D).
3. Laisser l'autotest initial se terminer avant d'insérer l'ensemble à tube filtré à triple lumière.
4. Retirer l'ensemble à tube à triple lumière de l'emballage en appliquant une technique stérile. Pour éviter de l'endommager, ne pas renverser le dispositif dans le champ stérile.
5. Insérer le boîtier filtrant de l'ensemble à tube à triple lumière dans la prise pour ensemble à tube situé à l'avant de l'IFS AirSeal (Fig. 1, C).
6. Pousser le levier de verrouillage vers le bas en position LOCK (Verrouillée) (Fig. 9). Le mode AirSeal se lance automatiquement.  
**Remarque :** si le mode AirSeal Pédiatrie est activé, une invite permet de sélectionner le mode AirSeal Adulte ou Pédiatrie. Consulter le mode d'emploi de l'IFS AirSeal pour obtenir des informations spécifiques sur le mode AirSeal Pédiatrie.
7. Vérifier sur l'écran tactile de l'IFS AirSeal que le niveau d'alimentation en gaz est suffisant (Fig. 1, B).
8. Sélectionner les réglages de débit et de pression souhaités pour le patient. Appuyer sur « Confirm » (Confirmer) pour confirmer les réglages du patient.

**Pour l'insertion d'aiguilles de Veress avec le port d'accès à pointe optique sans lame, voir les instructions complémentaires ci-dessous. Cette technique n'est pas utilisée pour l'insertion abdominale avec la pointe mousse (de type Hasson). Si la technique d'insertion pour aiguille de Veress n'est pas utilisée, passer à l'étape 9.**

- L'adaptateur pour lumière unique est fixé au préalable sur l'ensemble à tube filtré à triple lumière avec filtre à charbon actif.
- Connecter l'adaptateur pour lumière unique au port Luer pour aiguille de Veress et procéder à l'insertion conformément aux instructions du fabricant.
- Régler le débit et la pression aux valeurs souhaitées sur l'écran tactile de l'IFS AirSeal.
- Appuyer sur « Start » (Démarrer) sur l'écran tactile de l'IFS AirSeal ; l'insufflation initiale commence.
- Une fois l'insufflation initiale obtenue, retirer l'ensemble à tube filtré à triple lumière avec filtre à charbon actif de l'adaptateur pour lumière unique.
- Retirer l'aiguille de Veress.

**Si le port d'accès AirSeal n'est pas le premier trocart mis en place, laisser l'adaptateur pour lumière unique connecté à l'ensemble à tube filtré à triple lumière avec filtre à charbon actif, et basculer l'adaptateur pour lumière unique sur le port Luer du premier trocart classique mis en place. Ne retirer l'adaptateur pour lumière unique qu'une fois que le port d'accès AirSeal a été inséré.**

9. Retirer le port d'accès AirSeal et le capuchon antibruit en option (8 mm, 12 mm) de l'emballage en appliquant une technique stérile. Pour éviter de l'endommager, ne pas renverser le dispositif dans le champ stérile.
10. Le port d'accès AirSeal (obturateur et canule) est livré emballé pré-assemblé, il n'est donc pas nécessaire de l'assembler. Remarque : s'il faut assembler le port d'accès, insérer l'obturateur dans la canule jusqu'à ce qu'ils se verrouillent solidement ensemble.
11. S'assurer que l'obturateur et la canule sont correctement assemblés. **Remarque :** en cas d'utilisation du port d'accès à pointe mousse, s'assurer que l'ancrage à ressort est également en place (Fig. 4, D).
12. Pratiquer une incision en appliquant les procédures chirurgicales standard. (Remarque : l'incision doit correspondre au diamètre de la canule. Une incision inappropriée peut se traduire par une résistance accrue à l'insertion, impliquant une force de pénétration plus grande, avec éventuellement comme résultat une perte de contrôle pendant l'insertion.)

**Le port d'accès est prêt à être inséré. En cas d'utilisation du port d'accès à pointe mousse, utiliser la technique laparoscopique appropriée (insertion de type Hasson).**

13. Introduire le port d'accès à travers l'incision de la peau en effectuant un mouvement de rotation de 30 à 90°. Appliquer une pression vers le bas continue mais contrôlée sur la poignée.
14. S'assurer que le port d'accès est correctement inséré. Ne pas retirer l'obturateur de la canule à ce stade. **Remarque :** en cas d'utilisation du port d'accès à pointe mousse, l'ancrage à ressort doit être solidement fixé sur l'abdomen du patient avec une suture, de la manière habituelle.
15. S'assurer que la ligne noire sur l'extrémité distale du port d'accès AirSeal est visible dans la cavité à tout moment pendant que le port d'accès AirSeal est utilisé pour l'insufflation.
16. Retirez le bouchon du collecteur du côté de la canule au niveau du port d'accès AirSeal et raccordez l'extrémité distale de l'ensemble à tube filtré triple lumière avec filtre à charbon actif au collecteur de la canule, puis serrez.  
**Remarque :** si l'ensemble à tube AirSeal et le port d'accès ne sont pas correctement serrés, la pression relevée sur l'appareil peut ne pas correspondre à la pression ressentie par le patient. Vous pouvez constater visuellement que le raccordement est correct lorsque l'une des ailettes blanches du connecteur de l'ensemble à tube est alignée sur la partie supérieure du port d'accès (Fig. 15). Si vous regardez droit dans l'orifice au niveau du port d'accès lorsque le jeu à tubes est raccordé, l'une des ailettes du connecteur du jeu à tube doit se trouver exactement à la verticale du port d'accès (Fig. 16).
17. AirSeal s'active automatiquement. Laissez l'obturateur en place jusqu'à ce qu'un signal sonore et un message vert « AirSeal active » (AirSeal activé) soient émis.
18. Retirer l'obturateur de la canule en appuyant sur les boutons de verrouillage de l'obturateur afin de déverrouiller les deux dispositifs. **Remarque :** le port d'accès à pointe mousse n'a pas de boutons de verrouillage, on peut donc le retirer en tirant directement sur l'obturateur pour l'extraire de la canule.
19. Une fois que le mode AirSeal est activé et que l'obturateur a été retiré de la canule AirSeal, le débit est automatique. **Remarque :** le niveau d'évacuation de la fumée peut être réglé sur High (Élevé) ou Low (Faible).
20. Si nécessaire, le capuchon antibruit (8 mm, 12 mm) peut être placé sur la canule à cette étape. (**Remarque :** si le capuchon antibruit en option est utilisé, faire preuve de prudence lors de l'introduction d'un dispositif large ou tranchant à travers la canule. Le capuchon antibruit en option peut être retiré de la canule à tout moment de la procédure et doit être retiré avant d'insérer tout objet tranchant ou de grande taille dans la canule.)
21. Une fois l'intervention terminée, appuyer sur **STOP** (Arrêt) sur l'écran tactile pour arrêter l'insufflation de l'AirSeal (**Remarque :** cela entraînera la perte du pneumopéritoine). Utiliser une technique laparoscopique standard pour retirer tous les dispositifs chirurgicaux et fermer les sites des ports de la manière habituelle. **Remarque :** une fois l'intervention terminée, le mode AirSeal procédera à un calibrage final avant l'arrêt. Pendant ce processus, aucune pression ni insufflation n'est appliquée. Attendre la fin de l'étalonnage final avant de retirer l'ensemble à tube filtré à triple lumière avec filtre à charbon actif ou de mettre l'IFS hors tension.
22. Mettre le levier de l'IFS AirSeal en position haute ou UNLOCK (Déverrouillée).
23. Retirer l'ensemble à tube filtré à triple lumière avec filtre à charbon actif de la prise pour ensemble à tube de l'IFS AirSeal.
24. Le test fonctionnel étant réalisé lors du démarrage initial, l'appareil doit être redémarré (mis hors tension puis sous tension) avant chaque intervention chirurgicale.

**Voir les instructions supplémentaires ci-dessous pour l'insertion du port d'accès à pointe optique sans lame avec un endoscope.**

**Remarque :** Consulter le mode d'emploi de l'IFS pour connaître les fonctionnalités associées aux révisions logicielles spécifiques.

1. Raccorder l'endoscope 0° à la source d'éclairage et au moniteur en suivant les instructions du fabricant. Vérifier que l'endoscope est correctement raccordé et s'assurer de la netteté de l'image sur le moniteur.
2. Insérer l'endoscope dans l'ouverture à l'extrémité proximale de la poignée du port d'accès à pointe optique sans lame jusqu'à ce qu'il atteigne l'extrémité distale du port d'accès. (Insertion de l'endoscope ; Fig. 12).
3. Faire tourner l'endoscope comme il convient. (Insertion de l'endoscope ; Fig. 13).
4. Pour obtenir une image nette sur le moniteur, insérer l'endoscope dans la poignée du port d'accès à pointe optique sans lame, toucher une surface molle appropriée avec l'extrémité optique et faire la mise au point de la caméra.

- Pratiquer une incision en appliquant les procédures chirurgicales standard. (**Remarque** : l'incision doit correspondre au diamètre de la canule. Une incision inappropriée peut se traduire par une résistance accrue à l'insertion, impliquant une force de pénétration plus grande, avec éventuellement comme résultat une perte de contrôle pendant l'insertion.) Introduire le port d'accès à travers l'incision de la peau en effectuant un mouvement de rotation de 30 à 90°. Appliquer une pression vers le bas continue mais contrôlée sur la poignée.
- Pendant l'insertion du port d'accès, visualiser la pénétration de celui-ci à travers les différents plans tissulaires en utilisant le laparoscopes. Chaque plan de tissu peut être observé au fur et à mesure que le port d'accès progresse.
- Retirer le laparoscopes du port d'accès à pointe optique sans lame (Retrait de l'endoscope ; Fig. 14).
- Poursuivre l'intervention conformément aux instructions ci-dessus, en commençant à l'étape 13.

#### MODE D'EMPLOI

##### Mode d'emploi du port d'accès AirSeal pour le mode AirSeal dans les applications transanales :

**Remarque** : Consulter le mode d'emploi de l'IFS pour connaître les fonctionnalités associées aux révisions logicielles spécifiques.

- Mettre en marche l'IFS AirSeal en appuyant sur le commutateur Marche/Arrêt (Fig. 1, A).
- Le levier de l'IFS AirSeal doit être en position haute ou UNLOCK (Déverrouillée) (Fig. 1, D).
- Laisser l'autotest initial se terminer avant d'insérer l'ensemble à tube filtré à triple lumière.
- Retirer l'ensemble à tube à triple lumière de l'emballage en appliquant une technique stérile. Pour éviter de l'endommager, ne pas renverser le dispositif dans le champ stérile.
- Insérer le boîtier filtrant de l'ensemble à tube à triple lumière dans la prise pour ensemble à tube situé à l'avant de l'IFS AirSeal (Fig. 1, C).
- Pousser le levier de verrouillage vers le bas en position LOCK (Verrouillée) (Fig. 9). Le mode AirSeal se lance automatiquement.  
**Remarque** : si le mode AirSeal Pédiatrie est activé, une invite permet de sélectionner le mode AirSeal Adulte ou Pédiatrie. Consulter le mode d'emploi de l'IFS AirSeal pour obtenir des informations spécifiques sur le mode AirSeal Pédiatrie.
- Vérifier sur l'écran tactile de l'IFS AirSeal que le niveau d'alimentation en gaz est suffisant (Fig. 1, B).
- Sélectionner les réglages de débit et de pression souhaités pour le patient. Appuyer sur « Confirm » (Confirmer) pour confirmer les réglages du patient.
- Retirer le port d'accès AirSeal et le capuchon antibruit en option (8 mm, 12 mm) de l'emballage en appliquant une technique stérile. Pour éviter de l'endommager, ne pas renverser le dispositif dans le champ stérile.
- Le port d'accès AirSeal (obturateur et canule) est livré emballé pré-assemblé, il n'est donc pas nécessaire de l'assembler.  
**Remarque** : s'il faut assembler le port d'accès, insérer l'obturateur dans la canule jusqu'à ce qu'ils se verrouillent solidement ensemble.
- S'assurer que l'obturateur et la canule sont correctement assemblés.
- Suivre le mode d'emploi fourni par le fabricant du dispositif de plate-forme d'accès transanal choisi pour la mise en place dans le rectum.
- Insérer le port d'accès dans le dispositif de plate-forme d'accès transanal par la lumière ou la position de canule appropriée. Lors de l'insertion du port d'accès dans le dispositif de plate-forme d'accès transanal, appliquer un mouvement de rotation de 30 à 90°. Exercer une pression axiale continue mais contrôlée sur le port d'accès jusqu'à ce qu'il soit correctement en place dans le dispositif de plate-forme d'accès transanal.
- S'assurer que l'obturateur et la canule sont correctement insérés. Ne pas retirer l'obturateur de l'ensemble à canule à ce stade.
- Retirez le bouchon du collecteur du côté de la canule au niveau du port d'accès AirSeal et raccordez l'extrémité distale de l'ensemble à tube filtré triple lumière avec filtre à charbon actif au collecteur de la canule, puis serrez.  
**Remarque** : si l'ensemble à tube AirSeal et le port d'accès ne sont pas correctement serrés, la pression relevée sur l'appareil peut ne pas correspondre à la pression ressentie par le patient. Vous pouvez constater visuellement que le raccordement est correct lorsque l'une des ailettes blanches du connecteur de l'ensemble à tube est alignée sur la partie supérieure du port d'accès (Fig. 15). Si vous regardez droit dans l'orifice au niveau du port d'accès lorsque le jeu à tubes est raccordé, l'une des ailettes du connecteur du jeu à tube doit se trouver exactement à la verticale du port d'accès (Fig. 16).
- AirSeal s'active automatiquement. Laissez l'obturateur en place jusqu'à ce qu'un signal sonore et un message vert « AirSeal active » (AirSeal activé) soient émis.
- Retirer l'obturateur de la canule en appuyant sur les boutons de verrouillage de l'obturateur afin de déverrouiller les deux dispositifs.
- Une fois que le mode AirSeal est activé et que l'obturateur a été retiré de la canule AirSeal, le débit est automatique.  
**Remarque** : le niveau d'évacuation de la fumée peut être réglé sur High (Élevé) ou Low (Faible).
- Si nécessaire, le capuchon antibruit (8 mm, 12 mm) peut être placé sur la canule à cette étape. (**Remarque** : si le capuchon antibruit en option est utilisé, faire preuve de prudence lors de l'introduction d'un dispositif large ou tranchant à travers la canule. Le capuchon antibruit en option peut être retiré de la canule à tout moment de la procédure et doit être retiré avant d'insérer tout objet tranchant ou de grande taille dans la canule.)
- Une fois l'intervention terminée, appuyer sur **STOP** (Arrêt) sur l'écran tactile pour arrêter l'insufflation de l'AirSeal (**Remarque** : cela entraînera la perte du pneumopéritoine). Utiliser une technique laparoscopique standard pour retirer tous les dispositifs chirurgicaux et fermer les sites des ports de la manière habituelle.  
**Remarque** : une fois l'intervention terminée, le mode AirSeal procédera à un calibrage final avant l'arrêt. Pendant ce processus, aucune pression ni insufflation n'est appliquée. Attendre la fin de l'étalonnage final avant de retirer l'ensemble à tube filtré à triple lumière avec filtre à charbon actif ou de mettre l'IFS hors tension.
- Mettre le levier de l'IFS AirSeal en position haute ou UNLOCK (Déverrouillée).
- Retirer l'ensemble à tube filtré à triple lumière avec filtre à charbon actif de la prise pour ensemble à tube de l'IFS AirSeal.
- Le test fonctionnel étant réalisé lors du démarrage initial, l'appareil doit être redémarré (mis hors tension puis sous tension) avant chaque intervention chirurgicale.

#### Instructions générales d'utilisation des modes d'évacuation de la fumée et d'insufflation standard :

##### INSUFFLATION INITIALE AVEC AIGUILLE DE VERESS

**Remarque** : Consulter le mode d'emploi de l'IFS pour connaître les fonctionnalités associées aux révisions logicielles spécifiques.

- Mettre en marche l'IFS AirSeal en appuyant sur le commutateur Marche/Arrêt (Fig. 1, A).
  - À la fin de l'autotest initial, sélectionner Smoke Evacuation Mode (Mode d'évacuation de la fumée) ou Standard Insufflation Mode (Mode d'insufflation standard) sur l'écran tactile, dans la liste de sélection des modes de l'IFS AirSeal (Fig. 1, B).
  - Vérifier sur l'écran tactile de l'IFS AirSeal que le niveau d'alimentation en gaz est suffisant (Fig. 1, B).
  - Raccorder l'ensemble à tube approprié à l'IFS AirSeal (voir les instructions spécifiques ci-dessous pour le raccordement de l'ensemble à tube d'évacuation de la fumée bifurquée avec filtre à charbon actif).
- Remarque** : contrairement aux autres ensembles à tube, l'ensemble à tube à lumière unique se connecte au raccord du tube d'insufflation à l'avant de l'IFS AirSeal.
- Raccorder le connecteur Luer Lock de l'ensemble à tube à l'extrémité d'une aiguille de Veress ou d'un trocart classique de la manière habituelle. (Voir les instructions spécifiques ci-dessous pour le raccordement de l'ensemble à tube d'évacuation de la fumée bifurquée avec filtre à charbon actif).
  - Régler le débit et la pression aux valeurs souhaitées sur l'écran tactile de l'IFS AirSeal. Appuyer sur « Confirm » (Confirmer) pour confirmer les réglages du patient.
  - Appuyer sur « Start » (Démarrer) sur l'écran tactile de l'IFS AirSeal ; l'insufflation initiale commence.
  - Une fois l'insufflation initiale obtenue, insérer le trocart classique avec les ports Luer standard.
  - Une fois l'intervention terminée, appuyer sur **STOP** (Arrêt) sur l'écran tactile pour arrêter l'insufflation (**Remarque** : cela entraînera la perte du pneumopéritoine). Utiliser une technique laparoscopique standard pour retirer tous les dispositifs chirurgicaux et fermer les sites des ports de la manière habituelle.
  - Retirer l'ensemble à tube de l'IFS AirSeal (voir les instructions spécifiques ci-dessous pour le retrait de l'ensemble à tube d'évacuation de la fumée bifurquée avec filtre à charbon actif).
  - Le test fonctionnel étant réalisé lors du démarrage initial, l'appareil doit être redémarré (mis hors tension puis sous tension) avant chaque intervention chirurgicale.

#### Voir les instructions supplémentaires ci-dessous pour l'ensemble à tube d'évacuation de la fumée bifurquée avec filtre à charbon actif

##### Pour une utilisation avec deux trocarts classiques à ports Luer standard et l'ensemble à tube d'évacuation de la fumée bifurquée avec filtre à charbon actif.

- Tube transparent : Insufflation
- Tube bleu : Évacuation de la fumée

Fixation de l'ensemble à tube d'évacuation de la fumée bifurquée avec filtre à charbon actif

**Remarque :** Consulter le mode d'emploi de l'IFS pour connaître les fonctionnalités associées aux révisions logicielles spécifiques.

1. Le levier de l'IFS AirSeal doit être en position haute ou UNLOCK (Déverrouillée) (Fig. 1, D).
2. Insérer le boîtier filtrant de l'ensemble à tube d'évacuation de la fumée bifurquée avec filtre à charbon actif dans la prise pour ensemble à tube située à l'avant de l'IFS AirSeal (Fig. 1, C).
3. Pousser le levier de verrouillage vers le bas en position LOCK (Verrouillée).
4. Fixer l'aiguille de Veress au connecteur Luer Lock du tube transparent sur l'ensemble à tube d'évacuation de la fumée bifurquée avec filtre à charbon actif.
5. Régler le débit et la pression aux valeurs souhaitées sur l'écran tactile de l'IFS AirSeal. Appuyer sur « Confirm » (Confirmer) pour confirmer les réglages du patient.
6. Appuyer sur « Start » (Démarrer) sur l'écran tactile de l'IFS AirSeal; l'insufflation initiale commence.
7. S'assurer que les canules sont correctement insérées.
8. Retirer l'aiguille de Veress et la débrancher de l'ensemble à tube d'évacuation de la fumée bifurquée avec filtre à charbon actif.
9. Raccorder le connecteur Luer Lock du tube **TRANSPARENT** de l'ensemble à tube d'évacuation de la fumée bifurquée avec filtre à charbon actif à la canule classique. Ouvrir la vanne d'admission/le robinet d'arrêt.
10. Suivre les invites sur l'écran tactile de l'IFS AirSeal. À l'invite, raccorder le connecteur Luer Lock du tube **BLEU** de l'ensemble à tube d'évacuation de la fumée bifurquée avec filtre à charbon actif à une autre canule classique. L'insufflation reste active.
11. Lorsque le connecteur Luer Lock du tube **BLEU** de l'ensemble à tube d'évacuation de la fumée bifurquée avec filtre à charbon actif est raccordé à la seconde canule classique, l'évacuation de la fumée est activée.

**INCIDENTS GRAVES** — Signaler immédiatement tout incident grave lié à l'utilisation de ce dispositif au service clientèle CONMED ou à votre représentant local CONMED. E-mail : CustomerExperience@CONMED.com

Retrait de l'ensemble à tube d'évacuation de la fumée bifurquée avec filtre à charbon actif

**Remarque :** Consulter le mode d'emploi de l'IFS pour connaître les fonctionnalités associées aux révisions logicielles spécifiques.

1. Une fois l'intervention terminée, appuyer sur **STOP** (Arrêt) sur l'écran tactile pour arrêter l'insufflation (**Remarque :** cela entraînera la perte du pneumopéritoine). Utiliser une technique laparoscopique standard pour retirer tous les dispositifs chirurgicaux et fermer les sites des ports de la manière habituelle.
2. Mettre le levier de l'IFS AirSeal en position haute ou UNLOCK (Déverrouillée).
3. Retirer l'ensemble à tube d'évacuation de la fumée bifurquée avec filtre à charbon actif de la prise pour ensemble à tube de l'IFS AirSeal.
4. Le test fonctionnel étant réalisé lors du démarrage initial, l'appareil doit être redémarré (mis hors tension puis sous tension) avant chaque intervention chirurgicale.

#### MISE AU REBUT

Éliminer le dispositif conformément aux exigences locales de l'hôpital.

#### PRÉSENTATION

Le port d'accès optique AirSeal, le port d'accès bas profil AirSeal, le capuchon antibruit en option (8 mm, 12 mm), le port d'accès à pointe mousse AirSeal, la canule AirSeal, l'ensemble de tubes bifurqués pour l'évacuation de la fumée avec filtre à charbon actif, l'ensemble à tube filtré triple lumière avec filtre à charbon actif, l'ensemble de tubes simple lumière et l'adaptateur simple lumière AirSeal sont fournis stériles par rayonnement gamma pour une utilisation sur un seul patient uniquement. Éliminez-les après emploi. Les ports d'accès AirSeal, les capuchons antibruit et les ensembles à tube ne sont pas fabriqués en latex de caoutchouc naturel.

L'IFS AirSeal est non stérile et réutilisable.

AirSeal® est une marque déposée de CONMED Corporation.

**Rx ONLY** ATTENTION : la loi fédérale des États-Unis réserve la vente de ce dispositif aux médecins ou sur prescription médicale.

ITALIAN

#### AirSeal® IFS

Portale di accesso AirSeal®

Portali di accesso a punta ottica senza lama, a punta ottica senza lama con profilo basso, a punta ottica senza lama Palm Grip e a punta smussata

Set di tubi con filtro AirSeal®

Set di tubi a tre lumi con filtro a carboni attivi, biforcati con filtro per evacuazione fumo a carboni attivi, a lume singolo con filtro

#### Vista schematica: illustrazioni e nomenclatura

<p><b>AirSeal IFS (Fig. 1)</b></p> <ol style="list-style-type: none"><li>A. Interruttore ON/OFF</li><li>B. Display touch screen</li><li>C. Presa per AirSeal e modalità evacuazione fumo</li><li>D. Leva per bloccare il set di tubi in posizione</li><li>E. Collegamento dei tubi per insufflazione per modalità insufflazione standard</li></ol> <p><b>Portali di accesso senza lama (Fig. 2/3)</b></p> <ol style="list-style-type: none"><li>A. Tappo del collettore</li><li>B. Cannula</li><li>C. Otturatore della punta ottica senza lama</li><li>D. Fermo della cannula</li></ol> <p><b>Portali di accesso a punta smussata (Fig. 4)</b></p> <ol style="list-style-type: none"><li>A. Tappo del collettore</li><li>B. Cannula</li><li>C. Otturatore con punta smussata</li><li>D. Dispositivo di ancoraggio a molla: dispositivo di ancoraggio fissato tramite sutura</li></ol> <p><b>Tappo antirumore opzionale (Fig. 5)</b></p>	<p><b>Set di tubi (Fig. 6/7/8)</b></p> <ol style="list-style-type: none"><li>A. Filtro</li><li>B. Tubo da 8-10 piedi (2,45-3,05 m)</li><li>C. Raccordo Luer Lock</li><li>D. Gruppo adattatore a lume singolo</li><li>E. Collare zigrinato</li></ol> <p><b>Modalità AirSeal (Fig. 9)</b></p> <p><b>Modalità evacuazione fumo (Fig. 10)</b></p> <p><b>Modalità insufflazione standard (Fig. 11)</b></p> <p><b>Introduzione dell'endoscopio (Fig. 12)</b></p> <ol style="list-style-type: none"><li>A. Portale di accesso AirSeal</li><li>B. Endoscopio di dimensioni adeguate</li></ol> <p><b>Introduzione dell'endoscopio (Fig. 13)</b></p> <ol style="list-style-type: none"><li>A. Un movimento rotatorio durante l'introduzione permette di attenuare la forza di introduzione</li></ol> <p><b>Rimozione dell'endoscopio (Fig. 14)</b></p> <ol style="list-style-type: none"><li>A. Retrarre l'endoscopio</li><li>B. Premere in questo punto per sbloccare la cannula</li></ol> <p><b>Vista dall'alto del portale di accesso AirSeal con collegamento corretto al set di tubi AirSeal (Fig. 15)</b></p> <ol style="list-style-type: none"><li>A. Aletta del connettore di precisione del set di tubi</li></ol> <p><b>Vista frontale del portale di accesso AirSeal con collegamento corretto al set di tubi AirSeal (Fig. 16)</b></p> <ol style="list-style-type: none"><li>A. Aletta del connettore di precisione del set di tubi</li></ol>
---	--

#### IMPORTANTE! PRIMA DI USARE IL PRODOTTO, LEGGERE ATTENTAMENTE LE SEGUENTI INFORMAZIONI.

Lo scopo di questo foglietto illustrativo è di fornire assistenza per l'uso del presente prodotto. Non fa alcun riferimento alle tecniche chirurgiche. Consultare le Istruzioni per l'uso del sistema AirSeal IFS per le istruzioni complete relative al sistema AirSeal IFS e tutte le modalità di funzionamento.

#### INDICAZIONI PER L'USO

Il sistema CONMED AirSeal® IFS è indicato per l'uso in procedure endoscopiche diagnostiche e/o terapeutiche per la dilatazione di una cavità tramite riempimento gassoso al fine di creare e mantenere un percorso di accesso a tenuta di gas e privo di ostacoli per strumenti endoscopici e per l'evacuazione di fumi chirurgici. È indicato per l'uso in procedure chirurgiche addominali, toraciche e pediatriche in cui si richiede l'insufflazione per consentire l'impiego di vari strumenti toracoscopici e laparoscopici tramite la distensione ottenuta riempiendo con gas la cavità addominale o toracica e la creazione e il mantenimento di un percorso a

tenuta di gas e privo di ostacoli per gli strumenti e la rimozione dei fumi chirurgici. Il sistema può essere utilizzato anche per la dilatazione del retto e del colon per consentire monitoraggi endoscopici e interventi diagnostici e terapeutici. Il trocar del sistema AirSeal® IFS è indicato per l'uso con o senza visualizzazione.

**AirSeal IFS può funzionare in tre diverse modalità:**

1. **Modalità AirSeal (Fig. 9)**
2. **Modalità evacuazione fumo (Fig. 10)**
3. **Modalità insufflazione standard (Fig. 11)**

#### **Modalità AirSeal**

Quando usato in modalità AirSeal, AirSeal IFS eroga CO<sub>2</sub> con pneumoperitoneo stabile e consente la continua evacuazione di fumo nel corso di interventi di chirurgia laparoscopica. Richiede l'uso di AirSeal IFS, portale di accesso AirSeal e set di tubi a tre lumi con filtro a carboni attivi. Il set di tubi a tre lumi con filtro a carboni attivi è utilizzato per collegare il portale di accesso AirSeal ad AirSeal IFS (Fig. 9).

#### **Modalità evacuazione fumo**

Quando viene usato in modalità di evacuazione fumo, AirSeal IFS eroga CO<sub>2</sub> e consente la continua evacuazione di fumo nel corso di interventi di chirurgia laparoscopica. Richiede l'uso di AirSeal IFS, due trocar convenzionali (non AirSeal) con portali Luer standard e set di tubi biforcati evacuazione fumo con filtro a carboni attivi. I due trocar convenzionali sono usati per collegare il set di tubi biforcati evacuazione fumo con filtro a carboni attivi per fornire l'erogazione di CO<sub>2</sub> e un percorso di evacuazione del fumo. Il set di tubi biforcati evacuazione fumo con filtro a carboni attivi consente di collegare i due trocar convenzionali ad AirSeal IFS (Fig. 10).

#### **Modalità insufflazione standard**

Quando usato in modalità insufflazione standard, AirSeal IFS eroga CO<sub>2</sub> e fornisce insufflazione standard nel corso di interventi di chirurgia laparoscopica come per gli insufflatori convenzionali. Richiede l'uso di AirSeal IFS, un trocar convenzionale (*non AirSeal*) con portale Luer standard e set di tubi con filtro a lume singolo. Il portale Luer sul trocar si collega al set di tubi con filtro a lume singolo in modo da fornire insufflazione standard ed erogare CO<sub>2</sub>. Il set di tubi con filtro a lume singolo consente di collegare un trocar convenzionale ad AirSeal IFS (Fig. 11).

**Il portale di accesso AirSeal può essere configurato in due modi diversi:**

1. **Portale di accesso a punta ottica senza lama (Fig. 2 e 3)**
2. **Portale di accesso a punta smussata (Fig. 4)**

Se uno dei portali di accesso a punta ottica senza lama viene usato per l'accesso primario, si consiglia di usare un laparoscopio per ottenere la visualizzazione e per rendere più sicuro l'accesso addominale.

**I set di tubi AirSeal possono essere configurati in tre modi diversi:**

1. **Set di tubi a tre lumi con filtro a carboni attivi (Fig. 6)**
2. **Set di tubi biforcati evacuazione fumo con filtro a carboni attivi (Fig. 7)**
3. **Set di tubi con filtro a lume singolo (Fig. 8)**

Verificare che venga usato il corretto set di tubi in base alla modalità selezionata su AirSeal IFS. Se viene inserito il set di tubi scorretto, la modalità AirSeal IFS selezionata non si avvierà e verrà visualizzato un messaggio di avvertenza.

I set di tubi con filtro non sono indicati per i fluidi. In caso di ingresso di fluidi nel filtro, sul display touch screen di AirSeal IFS comparirà un messaggio di avvertenza. In questo caso, controllare il posizionamento della cannula e prepararsi alla sostituzione del set di tubi.

#### **AVVERTENZE**

- La mancata osservanza delle presenti istruzioni per l'uso può portare a gravi conseguenze chirurgiche.
- L'uso dei componenti del sistema AirSeal è riservato esclusivamente a medici qualificati che abbiano maturato conoscenza ed esperienza e ricevuto addestramento nelle tecniche laparoscopiche.
- Le presenti istruzioni per l'uso non includono la descrizione o le istruzioni relative alle tecniche chirurgiche o alle procedure di laparoscopia. È responsabilità del medico che esegue le procedure stabilire l'appropriatezza del tipo di procedura da eseguire utilizzando i presenti prodotti e determinare la tecnica specifica per ciascun paziente.
- I componenti inclusi nel sistema AirSeal sono sterili solo se usati prima della data di scadenza e se la confezione è sigillata e integra. NON usare dopo la data di scadenza o se la confezione è aperta o danneggiata.
- Tutti i dispositivi monouso del sistema AirSeal (portali di accesso e set di tubi) sono confezionati, sterilizzati ed esclusivamente monopaziente. Non riutilizzare, ritrattare o risterilizzare, poiché si potrebbe compromettere l'integrità strutturale del dispositivo e/o provocarne il malfunzionamento; questo, a sua volta, può causare infortuni, malattia o il decesso del paziente. Se un dispositivo monouso viene ritrattato o risterilizzato è possibile creare rischio di contaminazione e/o causare al paziente infezione o infezione crociata che comporta, tra l'altro, la trasmissione di patologie infettive da un paziente all'altro. La contaminazione del dispositivo può causare lesioni, malattia o decesso del paziente.
- Non immergere la punta della cannula in una soluzione di irrigazione o in fluidi corporei.
- L'allarme AirSeal IFS si attiverà se le ventole di raffreddamento sui lati o sulla parte inferiore della console di comando si dovessero bloccare. Se l'allarme si attiva, controllare che non vi siano ostruzioni alle ventole di raffreddamento.
- Se l'allarme dovesse continuare anche IN ASSENZA delle condizioni descritte sopra, interrompere l'uso di AirSeal IFS e restituirlo al produttore per la manutenzione.

#### **PRECAUZIONI**

- La creazione di pneumoperitoneo ha effetti collaterali fisiologici noti, fra cui riduzione del ritorno venoso, riduzione della gittata cardiaca, funzionalità renale ridotta, aumento della pressione intracranica, aumento della resistenza delle vie aeree e ridotta compliance polmonare.
- Le procedure mininvasive devono essere eseguite esclusivamente da personale che abbia ricevuto un addestramento adeguato e che possieda la conoscenza e la competenza pertinenti alle tecniche chirurgiche minimamente invasive. Consultare la letteratura medica relativa alle tecniche, alle complicazioni e ai rischi prima di eseguire qualsiasi procedura mininvasiva.
- Un'approfondita conoscenza dei principi e delle tecniche associate alle procedure laser, elettrochirurgiche e a ultrasuoni è essenziale per evitare scosse elettriche e pericolo di ustioni sia per il paziente che per il personale medico, e danni al dispositivo o ad altra strumentazione medica. Verificare che l'isolamento elettrico o la messa a terra non siano compromessi.
- Il rischio di aerazione esiste in presenza delle condizioni seguenti:
  - pressione eccessiva applicata esternamente sull'addome
  - perdita grave e prolungata attraverso altri accessi convenzionali già posizionati o attraverso un'incisione aperta
  - aspirazione intensa e prolungata
- Durante le condizioni descritte sopra, la sostituzione del gas di insufflazione con l'aria è momentanea e l'aria trasportata verrà sostituita da CO<sub>2</sub>.
- Si raccomanda di non superare pressioni di insufflazione > 15 mmHg nelle procedure del colon-retto.
- Pressioni di insufflazione dell'anidride carbonica più elevate (> 15 mmHg) possono aumentare il rischio di ipercarbia, enfisema sottocutaneo, pneumomediastino, pneumotorace, pneumosacro e ritenzione urinaria.
- Se si utilizza il tappo antirumore opzionale (8 mm, 12 mm):
  - Ispezionare la gommapiuma e la tenuta del tappo antirumore prima dell'uso.
  - Ispezionare il tappo antirumore dopo l'uso per escludere la presenza di danni fisici di qualsiasi tipo.
- Usare estrema cautela durante l'inserimento del portale di accesso AirSeal. Un uso improprio di questo prodotto può causare lesioni potenzialmente fatali a organi interni e vasi.
  - Accertarsi che sia stato creato un pneumoperitoneo o un pneumoretto adeguato
  - Accertarsi che il paziente sia posizionato correttamente in modo che il sito di penetrazione si trovi lontano dagli organi

- Dirigere la punta del portale di accesso AirSeal lontano da organi e vasi importanti
- Fare attenzione che la parete esterna del portale di accesso AirSeal sia solo a contatto con il tessuto e non rimanga intrappolato tra le superfici dure, come altri strumenti o ossa, né entri in collisione con esse. Il contatto prolungato o improvviso con superfici dure può danneggiare o rompere il portale di accesso.
- Non esercitare una forza eccessiva verso il basso
- Solo gli strumenti chirurgici manuali devono essere fatti passare attraverso il portale di accesso AirSeal. NON inserire trocar o strumenti robotici nel portale di accesso AirSeal. Un uso improprio può danneggiare o rompere il portale di accesso.
- Le caratteristiche di design del portale di accesso a punta ottica senza lama sono previste per ridurre al minimo il rischio di lesioni da penetrazione alle strutture anatomiche sottostanti. Tuttavia, è necessario osservare le misure precauzionali standard per questo tipo di inserimenti.
- Anche se il portale di accesso a punta ottica senza lama presenta una punta "senza lama", è necessario agire con cautela, come con tutti i dispositivi simili, per evitare di danneggiare i vasi principali e altre strutture anatomiche (come l'intestino o il mesenterio). Per ridurre al minimo il rischio di lesioni, assicurarsi di:
  - Stabilire un pneumoperitoneo o uno pneumoretto adeguato
  - Posizionare correttamente il paziente per aiutare a spostare gli organi fuori dalla zona di penetrazione
  - Fare attenzione ai punti di riferimento anatomici principali
  - Dirigere la punta del portale di accesso AirSeal lontano da vasi e strutture principali
  - Non esercitare una forza eccessiva o fuori controllo
  - Applicare tecniche ottiche di ingresso ogni qualvolta è possibile.
- Per completare l'accesso, dopo avere ottenuto un accesso parziale, è sufficiente esercitare una leggera pressione. Una pressione eccessiva può causare lesioni alle strutture anatomiche sottostanti.
- Dopo aver creato un accesso appropriato per via endoscopica, il portale di accesso a punta ottica senza lama non deve essere fatto avanzare ulteriormente. L'ulteriore penetrazione del portale di accesso a questo punto potrebbe causare lesioni alle strutture anatomiche sottostanti.
- Una volta ottenuto un inserimento sicuro e corretto, accertarsi che la linea nera sulla punta distale del portale di accesso AirSeal sia visibile all'interno della cavità per tutto il tempo in cui il portale di accesso AirSeal viene utilizzato per l'insufflazione.
- Non tentare di effettuare punture secondarie con trocar finché non siano stati stabiliti il sito primario e la pressione intra-addominale consigliata (in genere 12-18 mmHg).
- Dopo la rimozione della cannula dalla cavità, controllare sempre che vi sia emostasi in corrispondenza del sito. In mancanza di emostasi, usare le tecniche appropriate per ottenerla.
- Il set di tubi a tre lumi con filtro a carboni attivi e biforcuto evacuazione fumo con filtro a carboni attivi sono dotati di sensori di fluidi volti a monitorare il livello di fluidi nei filtri e segnalare agli utenti una possibile contaminazione del dispositivo. Se il raccogliatore di fluidi dell'alloggiamento del filtro è pieno fino al livello **Low** (Basso), sul display touch screen viene raffigurato un messaggio di avvertenza e viene emesso un segnale acustico. Controllare la posizione della cannula e del tubo per evitare che altri liquidi entrino nel filtro. A questo punto, reinserire l'otturatore nel portale di accesso AirSeal e cambiare il set di tubi con filtro.
- Gli strumenti o i dispositivi che entrano in contatto con i fluidi corporei possono richiedere speciali procedure di smaltimento per evitare la contaminazione biologica.

#### CONTROINDICAZIONI

AirSeal IFS non è indicato per l'uso nel caso in cui le tecniche endoscopiche minimamente invasive siano controindicate.

**IMPORTANTE:** lo scopo del presente foglietto illustrativo è quello di fornire le istruzioni per l'uso. Non rappresenta alcun riferimento e non è una guida alle tecniche di inserimento del trocar. L'esito positivo con il trocar a punta ottica senza lama come portale di accesso primario a seguito dell'insufflazione dipende dall'individuazione e dalla differenziazione degli strati tissutali. Di conseguenza, gli utenti che usano per la prima volta il trocar a punta ottica dovrebbero dapprima utilizzarlo come portale di accesso secondario a seguito di insufflazione per acquisire esperienza e competenza procedurale nella visualizzazione degli strati tissutali. Solo dopo avere acquisito esperienza con la tecnica sopra citata, i trocar a punta ottica possono essere usati come portale di accesso primario a seguito dell'insufflazione.

**Nota:** prima della presentazione asettica, ispezionare visivamente i sistemi a barriera sterile per verificare la presenza di danni alla confezione che potrebbero compromettere la sterilità. Non utilizzare nel caso in cui il sistema a barriera sterile risulti danneggiato.

#### ISTRUZIONI PER L'USO

##### Istruzioni generali per l'uso del portale di accesso AirSeal in modalità AirSeal:

**Nota:** fare riferimento alle istruzioni per l'uso di IFS per le caratteristiche associate a specifiche revisioni del software.

1. Accendere AirSeal IFS premendo l'interruttore ON/OFF (Fig. 1, A).
2. La leva su AirSeal IFS deve essere sollevata o in posizione UNLOCK (Sbloccaggio) (Fig. 1, D).
3. Attendere il completamento del controllo automatico iniziale prima di inserire il set di tubi a tre lumi con filtro.
4. Usando una tecnica sterile, rimuovere il set di tubi a tre lumi dalla confezione. Per evitare danni, non riversare il dispositivo sul campo sterile.
5. Inserire l'alloggiamento del filtro del set di tubi a tre lumi nella presa per set di tubi ubicata sulla parte anteriore di AirSeal IFS (Fig. 1, C).
6. Spingere la leva verso il basso in posizione LOCK (Bloccaggio) (Fig. 9). Viene avviata automaticamente la modalità AirSeal.
- Nota:** se è attivata la modalità AirSeal Pediatrico, verrà richiesto di selezionare la modalità AirSeal Adulto o Pediatrico. Per dettagli sulla modalità AirSeal Pediatrico (Pediatrico), consultare le Istruzioni per l'uso del sistema AirSeal IFS.
7. Verificare sul display touch screen di AirSeal IFS che il livello di erogazione del gas sia sufficiente (Fig. 1, B).
8. Selezionare le impostazioni di flusso e pressione desiderate per il paziente. Premere Confirm (Conferma) per confermare le impostazioni per il paziente.

**Consultare le istruzioni aggiuntive riportate di seguito relative all'accesso dell'ago Veress con il puntale di accesso a punta ottica senza lama. Questa tecnica non è usata per l'accesso addominale con punta smussata (Hasson). Se la tecnica di accesso tramite l'ago Veress non viene usata, procedere alla Fase 9.**

- L'adattatore a lume singolo è precollegato al set di tubi a tre lumi con filtro a carboni attivi.
- Collegare l'adattatore a lume singolo al portale Luer dell'ago Veress e inserirlo secondo le istruzioni indicate dal produttore.
- Impostare i valori desiderati di flusso e pressione sul display touch screen di AirSeal IFS.
- Selezionare Start (Avvio) sul display touch screen di AirSeal IFS per avviare l'insufflazione iniziale.
- Dopo aver ottenuto l'insufflazione iniziale, scollegare il set di tubi a tre lumi con filtro a carboni attivi dall'adattatore a lume singolo.
- Rimuovere l'ago Veress.

**Se il portale di accesso AirSeal non è il primo trocar a essere posizionato, mantenere l'adattatore a lume singolo collegato al set di tubi a tre lumi con filtro a carboni attivi e spostare l'adattatore a lume singolo nel portale Luer del primo trocar convenzionale posizionato. Rimuovere l'adattatore a lume singolo solo dopo avere inserito il portale di accesso AirSeal.**

9. Utilizzando una tecnica sterile, rimuovere il portale di accesso AirSeal e il tappo antirumore opzionale (8 mm, 12 mm) dalla confezione. Per evitare danni, non riversare il dispositivo sul campo sterile.
10. Il portale di accesso AirSeal (otturatore e cannula) è confezionato preassemblato, pertanto non è necessaria alcuna operazione di montaggio. Nota: se fosse necessario montare il portale di accesso, inserire l'otturatore nella cannula fino a incastrarli insieme.
11. Controllare che l'otturatore e la cannula siano montati correttamente. **Nota:** nel caso in cui si utilizzi un portale di accesso a punta smussata, controllare che anche il dispositivo di ancoraggio a molla sia in posizione (Fig. 4, D).
12. Eseguire un'incisione usando le procedure chirurgiche standard. Nota: l'incisione dovrebbe essere sufficiente per il diametro della cannula. Un'incisione non adeguata può causare un aumento della resistenza all'introduzione, con conseguente incremento della forza di penetrazione necessaria e perdita di controllo durante l'introduzione.

**Il portale di accesso assemblato è pronto per essere inserito. Se viene impiegato il portale di accesso a punta smussata, usare la tecnica laparoscopica appropriata (accesso stile Hasson).**

13. Introdurre il gruppo del portale di accesso attraverso l'incisione cutanea applicando un movimento rotatorio da 30° a 90°. Applicare una pressione costante e controllata verso il basso sull'impugnatura.
14. Controllare che il portale di accesso sia inserito correttamente. Non rimuovere l'otturatore dalla cannula a questo punto della procedura. **Nota:** se viene impiegato il portale di accesso a punta smussata, il dispositivo di ancoraggio a molla dovrebbe essere fissato all'addome del paziente tramite sutura, come d'abitudine.
15. Accertarsi che la linea nera sulla punta distale del portale di accesso AirSeal sia visibile all'interno della cavità per tutto il tempo in cui il portale di accesso AirSeal viene utilizzato per l'insufflazione.
16. Rimuovere il tappo del collettore dal lato della cannula sul portale di accesso AirSeal e collegare l'estremità distale del set di tubi a tre lumi con filtro a carboni attivi al collettore della cannula, quindi serrare.  
**Nota:** se il set di tubi e il portale di accesso AirSeal non sono serrati in modo appropriato, la lettura della pressione sul dispositivo potrebbe non riflettere la pressione percepita dal paziente. Un collegamento sicuro può essere confermato visivamente quando una delle alette bianche del connettore di precisione del set di tubi si allinea direttamente alla parte superiore del portale di accesso (Fig. 15). Guardando dritto nel connettore del portale di accesso mentre il set di tubi è collegato, una delle alette sul connettore del set di tubi deve essere direttamente verticale rispetto al portale di accesso (Fig. 16).
17. AirSeal si avvia automaticamente. Lasciare l'otturatore in posizione finché non si sente il segnale acustico e viene visualizzato il messaggio verde "AirSeal active" (AirSeal attivo).
18. Rimuovere l'otturatore dalla cannula premendo i pulsanti di fermo sull'otturatore in modo da sbloccare i due dispositivi. **Nota:** il portale di accesso a punta smussata non è dotato di pulsanti di fermo e pertanto può essere rimosso estraendo l'otturatore dalla cannula.
19. Una volta attivata la modalità AirSeal e rimosso l'otturatore dalla cannula AirSeal, la portata si regolerà automaticamente. **Nota:** l'operatore potrà modificare il livello di evacuazione del fumo sulle impostazioni High (Alto) o Low (Basso).
20. Se desiderato, in questo momento è possibile posizionare il tappo antirumore opzionale (8 mm, 12 mm) sulla cannula. (**Nota:** se si utilizza il tappo antirumore opzionale, prestare attenzione quando si inserisce un dispositivo tagliente o di grandi dimensioni attraverso la cannula. Il tappo antirumore opzionale può essere rimosso dalla cannula in qualsiasi momento durante la procedura e deve essere rimosso prima di inserire nella cannula oggetti appuntiti o di grandi dimensioni.)
21. Una volta completata la procedura, premere **STOP** (Arresta) sul display touch screen per interrompere l'insufflazione AirSeal. **Nota:** ciò provocherà la perdita dello pneumoperitoneo. Utilizzando la tecnica laparoscopica standard, rimuovere tutti i dispositivi chirurgici e chiudere i siti di accesso come di consueto.  
**Nota:** al completamento della procedura, la modalità AirSeal subirà una regolazione finale prima dello spegnimento. Durante tale procedura, non si crea alcuna pressione, né ha luogo alcuna insufflazione. Attendere il completamento della regolazione finale prima di rimuovere il set di tubi a tre lumi con filtro a carboni attivi o di spegnere IFS.
22. Spostare la leva su AirSeal IFS in alto o nella posizione UNLOCK (Sbloccaggio).
23. Rimuovere il set di tubi a tre lumi con filtro a carboni attivi dalla presa per il set di tubi AirSeal IFS.
24. Poiché il controllo funzionale viene eseguito durante l'avvio iniziale, prima di ogni intervento chirurgico l'unità deve essere spenta e riaccesa.

**Fare riferimento alle ulteriori informazioni riportate di seguito relative all'introduzione del portale di accesso a punta ottica senza lama con l'ausilio di un endoscopio.**

**Nota: fare riferimento alle Istruzioni per l'uso di IFS per le caratteristiche associate a specifiche revisioni del software.**

1. Collegare l'endoscopio da 0° alla fonte luminosa e monitorare secondo le indicazioni incluse nelle istruzioni del produttore. Verificare il collegamento dell'endoscopio e controllare la nitidezza dell'immagine sul monitor.
2. Inserire l'endoscopio nell'apertura sull'estremità prossimale dell'impugnatura del portale di accesso a punta ottica senza lama fino a raggiungere la punta distale del portale di accesso (Introduzione dell'endoscopio, Fig. 12).
3. Ruotare l'endoscopio secondo le proprie preferenze (Introduzione dell'endoscopio, Fig. 13).
4. Per ottenere un'immagine nitida sul monitor, inserire l'endoscopio sull'impugnatura del portale di accesso a punta ottica senza lama, appoggiare la punta ottica su una superficie morbida idonea e mettere a fuoco la videocamera.
5. Eseguire un'incisione usando le procedure chirurgiche standard. **Nota:** l'incisione dovrebbe essere sufficiente per il diametro della cannula. Un'incisione non adeguata può causare un aumento della resistenza all'introduzione, con conseguente incremento della forza di penetrazione necessaria e perdita di controllo durante l'introduzione. Introdurre il gruppo del portale di accesso attraverso l'incisione cutanea applicando un movimento rotatorio da 30° a 90°. Applicare una pressione costante e controllata verso il basso sull'impugnatura.
6. Durante l'inserimento del portale di accesso, osservarne la penetrazione attraverso i singoli piani tissutali facendo uso dell'endoscopio per laparoscopia. I singoli piani di tessuto possono essere osservati man mano che si fa avanzare il portale di accesso.
7. Rimuovere l'endoscopio per laparoscopia dal portale di accesso a punta ottica senza lama (Rimozione dell'endoscopio, Fig. 14).
8. Continuare la procedura secondo le istruzioni riportate sopra, a partire dalla Fase 13.

## **ISTRUZIONI PER L'USO**

**Istruzioni per l'uso del portale di accesso AirSeal in modalità AirSeal in applicazioni trans-anali:**

**Nota: fare riferimento alle Istruzioni per l'uso di IFS per le caratteristiche associate a specifiche revisioni del software.**

1. Accendere AirSeal IFS premendo l'interruttore ON/OFF (Fig. 1, A).
2. La leva su AirSeal IFS deve essere sollevata o in posizione UNLOCK (Sbloccaggio) (Fig. 1, D).
3. Attendere il completamento del controllo automatico iniziale prima di inserire il set di tubi a tre lumi con filtro.
4. Usando una tecnica sterile, rimuovere il set di tubi a tre lumi dalla confezione. Per evitare danni, non riversare il dispositivo sul campo sterile.
5. Inserire l'alloggiamento del filtro del set di tubi a tre lumi nella presa per set di tubi ubicata sulla parte anteriore di AirSeal IFS (Fig. 1, C).
6. Spingere la leva verso il basso in posizione LOCK (Bloccaggio) (Fig. 9). Viene avviata automaticamente la modalità AirSeal.  
**Nota:** se è attivata la modalità AirSeal Pediatrico, verrà richiesto di selezionare la modalità AirSeal Adulto o Pediatrico. Per dettagli sulla modalità AirSeal Pediatrico (Pediatrico), consultare le Istruzioni per l'uso del sistema AirSeal IFS.
7. Verificare sul display touch screen di AirSeal IFS che il livello di erogazione del gas sia sufficiente (Fig. 1, B).
8. Selezionare le impostazioni di flusso e pressione desiderate per il paziente. Premere Confirm (Conferma) per confermare le impostazioni per il paziente.
9. Utilizzando una tecnica sterile, rimuovere il portale di accesso AirSeal e il tappo antirumore opzionale (8 mm, 12 mm) dalla confezione. Per evitare danni, non riversare il dispositivo sul campo sterile.
10. Il portale di accesso AirSeal (otturatore e cannula) è confezionato preassemblato, pertanto non è necessaria alcuna operazione di montaggio.  
**Nota:** se fosse necessario montare il portale di accesso, inserire l'otturatore nella cannula fino a incastrarli insieme.
11. Controllare che l'otturatore e la cannula siano montati correttamente.
12. Seguire le istruzioni per l'uso fornite dal produttore del dispositivo piattaforma di accesso trans-aleale prescelto per il posizionamento nel retto.
13. Inserire il portale di accesso nel dispositivo piattaforma di accesso trans-aleale attraverso il lume o la posizione della cannula appropriata. Quando si inserisce il portale di accesso nel dispositivo piattaforma di accesso trans-aleale, introdurlo utilizzando un movimento rotatorio da 30° a 90°. Applicare una pressione assiale costante e controllata sul portale di accesso fino a fissarlo nel dispositivo piattaforma di accesso trans-aleale.
14. Controllare che l'otturatore e la cannula siano inseriti correttamente. Non rimuovere l'otturatore dal gruppo della cannula a questo punto della procedura.
15. Rimuovere il tappo del collettore dal lato della cannula sul portale di accesso AirSeal e collegare l'estremità distale del set di tubi a tre lumi con filtro a carboni attivi al collettore della cannula, quindi serrare.  
**Nota:** se il set di tubi e il portale di accesso AirSeal non sono serrati in modo appropriato, la lettura della pressione sul dispositivo potrebbe non riflettere la pressione percepita dal paziente. Un collegamento sicuro può essere confermato visivamente quando una delle alette bianche del connettore di precisione del set di tubi si allinea direttamente alla parte superiore del portale di accesso (Fig. 15). Guardando dritto nel connettore del portale di accesso mentre il set di tubi è collegato, una delle alette sul connettore del set di tubi deve essere direttamente verticale rispetto al portale di accesso (Fig. 16).
16. AirSeal si avvia automaticamente. Lasciare l'otturatore in posizione finché non si sente il segnale acustico e viene visualizzato il messaggio verde "AirSeal active" (AirSeal attivo).
17. Rimuovere l'otturatore dalla cannula premendo i pulsanti di fermo sull'otturatore in modo da sbloccare i due dispositivi.

- Una volta attivata la modalità AirSeal e rimosso l'otturatore dalla cannula AirSeal, la portata si regolerà automaticamente.  
**Nota:** l'operatore potrà modificare il livello di evacuazione del fumo sulle impostazioni High (Alto) o Low (Basso).
- Se desiderato, in questo momento è possibile posizionare il tappo antirumore opzionale (8 mm, 12 mm) sulla cannula. (**Nota:** se si utilizza il tappo antirumore opzionale, prestare attenzione quando si inserisce un dispositivo tagliente o di grandi dimensioni attraverso la cannula. Il tappo antirumore opzionale può essere rimosso dalla cannula in qualsiasi momento durante la procedura e deve essere rimosso prima di inserire nella cannula oggetti appuntiti o di grandi dimensioni.)
- Una volta completata la procedura, premere **STOP** (Arresta) sul display touch screen per interrompere l'insufflazione AirSeal. **Nota:** ciò provocherà la perdita dello pneumoperitoneo. Utilizzando la tecnica laparoscopica standard, rimuovere tutti i dispositivi chirurgici e chiudere i siti di accesso come di consueto. **Nota:** al completamento della procedura, la modalità AirSeal subirà una regolazione finale prima dello spegnimento. Durante tale procedura, non si crea alcuna pressione, né ha luogo alcuna insufflazione. Attendere il completamento della regolazione finale prima di rimuovere il set di tubi a tre lumi con filtro a carboni attivi o di spegnere IFS.
- Spostare la leva su AirSeal IFS in alto o nella posizione UNLOCK (Sbloccaggio).
- Rimuovere il set di tubi a tre lumi con filtro a carboni attivi dalla presa per il set di tubi AirSeal IFS.
- Poiché il controllo funzionale viene eseguito durante l'avvio iniziale, prima di ogni intervento chirurgico l'unità deve essere spenta e riaccesa.

### **Istruzioni generali per l'uso in modalità di evacuazione fumo e di insufflazione standard**

#### **INSUFFLAZIONE INIZIALE CON AGO VERESS**

**Nota: fare riferimento alle Istruzioni per l'uso di IFS per le caratteristiche associate a specifiche revisioni del software.**

- Accendere AirSeal IFS premendo l'interruttore ON/OFF (Fig. 1, A).
- Al termine del controllo diagnostico, selezionare modalità di evacuazione fumo o di insufflazione standard sul display touch screen dall'elenco di selezione della modalità su AirSeal IFS (Fig. 1, B).
- Verificare sul display touch screen di AirSeal IFS che il livello di erogazione del gas sia sufficiente (Fig. 1, B).
- Collegare il set di tubi appropriato ad AirSeal IFS (fare riferimento alle specifiche istruzioni di seguito per il collegamento del set di tubi biforcuti evacuazione fumo con filtro a carboni attivi).  
**Nota:** a differenza degli altri set di tubi, il set di tubi a lume singolo si collega al collegamento dei tubi per insufflazione sulla parte anteriore di AirSeal IFS.
- Collegare il connettore Luer Lock del set di tubi all'estremità di un ago Veress o di un trocar convenzionale, come di consueto. Fare riferimento alle specifiche istruzioni di seguito per il collegamento del set di tubi biforcuti evacuazione fumo con filtro a carboni attivi.
- Impostare i valori desiderati di flusso e pressione sul display touch screen di AirSeal IFS. Premere Confirm (Conferma) per confermare le impostazioni per il paziente.
- Selezionare Start (Avvio) sul display touch screen di AirSeal IFS per avviare l'insufflazione iniziale.
- Dopo avere ottenuto l'insufflazione iniziale, **inserire il trocar convenzionale con portali Luer standard.**
- Una volta completata la procedura, premere **STOP** (Arresta) sul display touch screen per interrompere l'insufflazione. **Nota:** ciò provocherà la perdita dello pneumoperitoneo. Utilizzando la tecnica laparoscopica standard, rimuovere tutti i dispositivi chirurgici e chiudere i siti di accesso come di consueto.
- Rimuovere il set di tubi di AirSeal IFS. Fare riferimento alle specifiche istruzioni di seguito per la rimozione del set di tubi biforcuti evacuazione fumo con filtro a carboni attivi.
- Poiché il controllo funzionale viene eseguito durante l'avvio iniziale, prima di ogni intervento chirurgico l'unità deve essere spenta e riaccesa.

#### **Fare riferimento alle ulteriori istruzioni di seguito relative al set di tubi biforcuti evacuazione fumo con filtro a carboni attivi**

**Per l'uso con due trocar convenzionali dotati di portali Luer standard e set di tubi biforcuti evacuazione fumo con filtro a carboni attivi.**

Tubo trasparente: insufflazione

Tubo blu: evacuazione fumo

Collegamento del set di tubi biforcuti evacuazione fumo con filtro a carboni attivi

**Nota: fare riferimento alle Istruzioni per l'uso di IFS per le caratteristiche associate a specifiche revisioni del software.**

- La leva su AirSeal IFS deve essere sollevata o in posizione UNLOCK (Sbloccaggio) (Fig. 1, D).
- Inserire l'alloggiamento del filtro del set di tubi biforcuti evacuazione fumo con filtro a carboni attivi nella presa per set di tubi ubicata sulla parte anteriore di AirSeal IFS (Fig. 1, C).
- Spingere la leva verso il basso in posizione LOCK (Bloccaggio).
- Collegare l'ago Veress al connettore Luer Lock del tubo trasparente sul set di tubi biforcuti evacuazione fumo con filtro a carboni attivi.
- Impostare i valori desiderati di flusso e pressione sul display touch screen di AirSeal IFS. Premere Confirm (Conferma) per confermare le impostazioni per il paziente.
- Selezionare Start (Avvio) sul display touch screen di AirSeal IFS per avviare l'insufflazione iniziale.
- Controllare che le cannule siano inserite correttamente.
- Rimuovere l'ago Veress e scollegarlo dal set di tubi biforcuti evacuazione fumo con filtro a carboni attivi.
- Collegare il connettore Luer Lock del tubo **TRASPARENTE** del set di tubi biforcuti evacuazione fumo con filtro a carboni attivi alla cannula convenzionale. Aprire la valvola/il rubinetto di afflusso.
- Seguire le istruzioni riportate sul display touch screen di AirSeal IFS. Quando richiesto, collegare il connettore Luer Lock del tubo **BLU** del set di tubi biforcuti evacuazione fumo con filtro a carboni attivi a un'altra cannula convenzionale. L'insufflazione rimane attiva.
- Quando il connettore Luer Lock del tubo **BLU** del set di tubi biforcuti evacuazione fumo con filtro a carboni attivi viene collegato alla seconda cannula convenzionale, si attiva l'evacuazione fumo.

**INCIDENTE GRAVE:** segnalare immediatamente qualsiasi incidente grave correlato all'uso di questo dispositivo al Servizio di assistenza clienti CONMED o al proprio rappresentante locale CONMED. E-mail: CustomerExperience@CONMED.com

Rimozione del set di tubi biforcuti evacuazione fumo con filtro a carboni attivi

**Nota: fare riferimento alle Istruzioni per l'uso di IFS per le caratteristiche associate a specifiche revisioni del software.**

- Una volta completata la procedura, premere **STOP** (Arresta) sul display touch screen per interrompere l'insufflazione. **Nota:** ciò provocherà la perdita dello pneumoperitoneo. Utilizzando la tecnica laparoscopica standard, rimuovere tutti i dispositivi chirurgici e chiudere i siti di accesso come di consueto.
- Spostare la leva sull'unità AirSeal IFS in alto o nella posizione UNLOCK (Sbloccaggio).
- Rimuovere il set di tubi biforcuti evacuazione fumo con filtro a carboni attivi dalla presa per il set di tubi di AirSeal IFS.
- Poiché il controllo funzionale viene eseguito durante l'avvio iniziale, prima di ogni intervento chirurgico l'unità deve essere spenta e riaccesa.

#### **SMALTIMENTO**

Smaltire il dispositivo nel rispetto dei requisiti ospedalieri locali.

#### **DOTAZIONE**

Tutti i portali di accesso ottico AirSeal, portali di accesso con profilo basso AirSeal, tappi antirumore opzionali (8 mm, 12 mm), portali di accesso a punta smussata AirSeal, cannule AirSeal, set di tubi biforcuti per evacuazione dei fumi con filtro a carboni attivi, set di tubi a tre lumi con filtro a carboni attivi, set di tubi a lume singolo e adattatori a lume singolo AirSeal vengono forniti sterilizzati con radiazioni gamma per l'uso su un solo paziente. Gettare dopo l'uso. I portali di accesso AirSeal, i tappi antirumore e i set di tubi non contengono lattice di gomma naturale.

AirSeal IFS non è sterile ed è riutilizzabile.

AirSeal® è un marchio registrato di CONMED Corporation.

**IRX ONLY** ATTENZIONE: la legge federale statunitense limita la vendita del presente dispositivo a medici o dietro prescrizione medica.

**AirSeal® IFS****AirSeal®-Zugang**

Klingenloser Zugang mit optischer Spitze, klingenloser Zugang mit optischer Spitze und flachem Profil, klingenloser Zugang mit optischer Spitze mit Palm Grip und Zugänge mit stumpfer Spitze

**AirSeal® Filterschlauchsets**

Dreilumiges Filterschlauchset mit Aktivkohlefilter, bifurkiertes Filterschlauchset zur Raucheвакуierung mit Aktivkohlefilter, einlumiges Filterschlauchset

**Schematische Darstellung: Illustrierung und Nomenklatur**

<p><b>AirSeal IFS (Abb. 1)</b></p> <p>A. Schalter „ON/OFF“ (EIN/AUS)            B. Touchscreenanzeige            C. Buchse für AirSeal- und Raucheвакуierungsmodus            D. Hebel zur korrekten Befestigung des Schlauchsets            E. Insufflationsschlauchverbindung für den Standardinsufflationsmodus</p> <p><b>Klingenlose Zugänge (Abb. 2/3)</b></p> <p>A. Verteilerstück            B. Kanüle            C. Klingenloser Obturator mit optischer Spitze            D. Kanülenverschluss</p> <p><b>Zugänge mit stumpfer Spitze (Abb. 4)</b></p> <p>A. Verteilerstück            B. Kanüle            C. Obturator mit stumpfer Spitze            D. Federanker – Ankergerät zur Nahtverzerrung</p> <p><b>Optionale Dämpfkappe (Abb. 5)</b></p>	<p><b>Schlauchsets (Abb. 6/7/8)</b></p> <p>A. Filter            B. Schlauch (8–10 ft.; 2,4–3 m)            C. Luer-Lock-Fitting            D. Einlumige Adaptereinheit            E. Daumenschürze</p> <p><b>AirSeal-Modus (Abb. 9)</b></p> <p><b>Raucheвакуierungsmodus (Abb. 10)</b></p> <p><b>Standardinsufflationsmodus (Abb. 11)</b></p> <p><b>Endoskop-Einführung (Abb. 12)</b></p> <p>A. AirSeal Zugang            B. Endoskop passender Größe</p> <p><b>Endoskop-Einführung (Abb. 13)</b></p> <p>A. Durch die Drehbewegung bei der Einführung wird der zur Einführung erforderliche Kraftaufwand verringert</p> <p><b>Entfernung des Endoskops (Abb. 14)</b></p> <p>A. Endoskop zurückziehen            B. Hier drücken, um Kanüle zu entsichern</p> <p><b>Draufsicht auf den AirSeal-Zugangsport mit korrektem Anschluss an das AirSeal-Schlauchset (Abb. 15)</b></p> <p>A. Schlauchset Bullaugen-Verbindungsfinne</p> <p><b>Vorderansicht des AirSeal-Zugangsports mit korrektem Anschluss an das AirSeal-Schlauchset (Abb. 16)</b></p> <p>A. Schlauchset Bullaugen-Verbindungsfinne</p>
---	--

**WICHTIG! LESEN SIE SICH DIE FOLGENDEN INFORMATIONEN VOR DEM GEBRAUCH AUFMERKSAM DURCH.**

Diese Broschüre soll Informationen zum Gebrauch des Produkts liefern. Sie stellt keine Anleitung zu chirurgischen Verfahren dar. Eine ausführliche Anleitung zum AirSeal IFS und sämtlichen Betriebsmodi finden Sie in der Gebrauchsanweisung des AirSeal IFS.

**VERWENDUNGSZWECK:**

Das CONMED AirSeal™ IFS-System ist für den Einsatz bei diagnostischen und/oder therapeutischen Endoskopieverfahren zur Ausweitung der Bauchhöhle durch Auffüllen mit Gas, zum Eröffnen und Erhalt eines gasdichten, hindernisfreien Zugangs für endoskopische Instrumente und zur Evakuierung des bei chirurgischen Eingriffen erzeugten Rauchs bestimmt. Es wird in abdominalen, thorakalen und pädiatrischen Anwendungen eingesetzt, um die Nutzung von verschiedenen thorakoskopischen und laparoskopischen Instrumenten beim Füllen des Abdomens oder der Brusthöhle mit Gas zu ermöglichen, sowie einen gasdichten Instrumentenzugang frei von Hindernissen zu schaffen und zu erhalten und chirurgisches Rauchgas abzusaugen. Das Instrument kann auch zur Aufdehnung des Rektums und Colons verwendet werden, um endoskopische Untersuchungen sowie diagnostische und therapeutische Eingriffe zu ermöglichen. Der Trokar des AirSeal™ IFS-Systems ist zur Verwendung mit oder ohne Visualisierung indiziert.

**Das AirSeal IFS (Intelligent Flow System) verfügt über drei Bedienungsmodi:**

1. **AirSeal-Modus (Abb. 9)**
2. **Raucheвакуierungsmodus (Abb. 10)**
3. **Standardinsufflationsmodus (Abb. 11)**

**AirSeal Modus:**

Bei Verwendung im AirSeal-Modus soll das AirSeal IFS während laparoendoskopischer Eingriffe bei stabilem Pneumoperitoneum CO<sub>2</sub>-Gas zuführen und für kontinuierliche Raucheвакуierung sorgen. Dabei sind das AirSeal IFS, der AirSeal Zugang und das dreilumige Filterschlauchset mit Aktivkohlefilter erforderlich. Das dreilumige Filterschlauchset mit Aktivkohlefilter wird zum Anschluss des AirSeal-Zugangs an das AirSeal IFS verwendet (Abb. 9).

**Smoke Evacuation Modus:**

Bei Verwendung im Raucheвакуierungsmodus soll das AirSeal IFS während laparoendoskopischer Eingriffe CO<sub>2</sub>-Gas zuführen und für kontinuierliche Raucheвакуierung sorgen. Dabei sind das AirSeal IFS, zwei handelsübliche (Nicht-AirSeal) herkömmliche Trokare mit Standard-Luer-Anschlüssen und das bifurkierte Schlauchset zur Raucheвакуierung mit Aktivkohlefilter erforderlich. Die zwei Standardtrokare werden für den Anschluss des bifurkierten Schlauchsets zur Raucheвакуierung mit Aktivkohlefilter verwendet, um einen Ein- bzw. Ausgang für die CO<sub>2</sub>-Zufuhr und die Raucheвакуierung zu schaffen. Das bifurkierte Schlauchset zur Raucheвакуierung mit Aktivkohlefilter ist bifurkiert und verbindet die zwei handelsüblichen Trokare mit dem AirSeal IFS (Abb. 10).

**Modus Standard Insufflation (Standard-Insufflation):**

Bei Verwendung im Standardinsufflationsmodus soll das AirSeal IFS während laparoendoskopischer Eingriffe CO<sub>2</sub>-Gas und Standardinsufflation im gleichen Format wie handelsübliche Insufflatoren liefern. Dabei sind das AirSeal IFS, ein handelsüblicher herkömmlicher (Nicht-AirSeal)-Trokar mit Standard-Luer-Anschluss und das einlumige Filterschlauchset erforderlich. Der Luer-Anschluss am Trokar wird am einlumigen Filterschlauchset angeschlossen, und dient der Standardinsufflation und der CO<sub>2</sub>-Gas-Zufuhr. Das einlumige Filterschlauchset verbindet einen handelsüblichen Trokar mit dem AirSeal IFS (Abb. 11).

**Der AirSeal-Zugang erlaubt zwei Konfigurationen:**

1. **Klingenloser Zugang mit optischer Spitze (Abb. 2 u. 3)**
2. **Zugang mit stumpfer Spitze (Abb. 4)**

Wenn einer der klingenlosen Zugänge mit optischer Spitze für den Primärzugang verwendet wird, wird die Sicht durch ein Laparoskop empfohlen, um die Sicherheit beim Eindringen ins Abdomen zu erhöhen.

**Die AirSeal-Schlauchsets erlauben drei verfügbare Konfigurationen:**

1. **Dreilumiges Filterschlauchset mit Aktivkohlefilter (Abb. 6)**
2. **Bifurkiertes Schlauchset zur Raucheвакуierung mit Aktivkohlefilter (Abb. 7)**
3. **Einlumiges Filterschlauchset (Abb. 8)**

Sicherstellen, dass das richtige Schlauchset entsprechend des gewählten Betriebsmodus des AirSeal IFS verwendet wird. Wird das falsche Schlauchset angeschlossen, wird der gewählte AirSeal IFS-Modus nicht fortgeführt und eine Warnmeldung wird angezeigt.

Die Filterschlauchsets sind nicht für die Aufnahme von Flüssigkeit konzipiert. Wenn Flüssigkeit in den Filter gelangt, wird auf dem Touchscreen des AirSeal IFS eine Warnmeldung angezeigt. In diesem Fall den Sitz der Kanüle überprüfen und einen Austausch des Filtersets vorbereiten.

## WARNHINWEISE:

- Wird die Gebrauchsanleitung nicht strikt eingehalten, kann dies schwerwiegende chirurgische Konsequenzen nach sich ziehen.
- Die Komponenten des AirSeal-Zugangssystems dürfen nur von qualifizierten Ärzten mit Kenntnissen, Erfahrung und Schulung in laparoskopischen Verfahren verwendet werden.
- Die vorliegende Gebrauchsanleitung umfasst keine Beschreibungen oder Anweisungen in Bezug auf chirurgische Methoden oder laparoskopische Verfahren. Es liegt in der Verantwortung des das Verfahren durchführenden Arztes, sicherzustellen, dass das durchzuführende Verfahren mit diesen Produkten angemessen ist, und das für den Patienten spezifische Vorgehen zu bestimmen.
- Die dem AirSeal Zugangssystem beiliegenden Komponenten sind nur dann steril, wenn sie vor dem Verfalldatum verwendet werden und die Verpackung ungeöffnet und unbeschädigt ist. Das Produkt NICHT nach dem Verfalldatum oder bei offener oder beschädigter Verpackung verwenden.
- Alle Einweginstrumente des AirSeal-Zugangssystems (Zugänge und Schlauchsets) sind für nur einmalige Anwendung am Patienten verpackt und sterilisiert. Nicht wiederverwenden, wiederaufbereiten oder resterilisieren. Eine Wiederverwendung, Wiederaufbereitung oder Resterilisierung könnte die strukturelle Integrität des Geräts beeinträchtigen und/oder zu einem Versagen des Geräts führen, was wiederum zu Verletzung, Krankheit oder Tod des Patienten führen kann. Außerdem birgt eine Wiederaufbereitung oder Resterilisierung von Einweggeräten das Risiko einer Kontamination und/oder einer Infektion oder Kreuzinfektion des Patienten, u. a. die Übertragung von Infektionskrankheiten von einem Patienten zu einem anderen. Die Kontamination des Geräts kann zur Verletzung, Erkrankung oder zum Tod des Patienten führen.
- Die Spitze der Kanüle nicht in Spül- oder Körperflüssigkeiten tauchen.
- Der AirSeal IFS-Alarm ertönt, wenn die Lüftungsöffnungen seitlich oder unten an der Steuerkonsole blockiert werden. Wenn der Alarm ertönt, die Lüftungsöffnungen auf Obstruktionen überprüfen.
- Liegen die oben beschriebenen Zustände NICHT vor, der Alarm ertönt jedoch dennoch, muss der Betrieb des AirSeal IFS unterbrochen und das Gerät zur Reparatur zurück zum Hersteller geschickt werden.

## VORSICHTSMASSNAHMEN:

- Die Erzeugung eines Pneumoperitoneums birgt bekannte physiologische Nebenwirkungen, einschließlich vermindertem venösem Rückfluss, verminderter Herzleistung, reduzierter Nierenfunktion, erhöhtem intrakraniellen Druck, erhöhtem Atemwegwiderstand und reduzierter Lungencompliance.
- Minimalinvasive Verfahren dürfen nur von Personen mit angemessener Ausbildung und die in Bezug auf minimalinvasive chirurgische Verfahren über die erforderliche Erfahrung und Kompetenz verfügen, durchgeführt werden. Vor der Durchführung minimalinvasiver Verfahren ist die entsprechende Fachliteratur zu Methoden, Komplikationen und Gefahren zu konsultieren.
- Um die Gefahr von Stromschlägen und Verbrennungen bei Patient und medizinischem Personal sowie Schäden am Gerät und anderen medizinischen Instrumenten zu vermeiden, ist ein eingehendes Verständnis der Grundlagen und Methoden von Laser-, Elektrochirurgie- und Ultraschallverfahren zwingend erforderlich. Darauf achten, dass die elektrische Isolierung oder Erdung nicht beeinträchtigt wird.
- Unter den folgenden Bedingungen besteht die Möglichkeit, dass es zum Einschuss von Luft kommt:
  - Großer von außen auf das Abdomen ausgeübter Druck
  - Schwere und ausgedehnte Leckage durch andere herkömmliche gelegte Zugänge oder eine offene Inzision
  - Starke und lange Absaugung
- Bei den oben beschriebenen Bedingungen ist die Verdrängung des Insufflationsgases vorübergehend, und die eingeschlossene Luft wird von CO<sub>2</sub> verdrängt.
- Es wird empfohlen bei kolorektalen Verfahren den Insufflationsdruck nicht über > 15 mmHg zu erhöhen.
- Ein höherer Insufflationsdruck (> 15 mmHg) bei einer Kohlendioxid-Insufflation kann das Risiko einer Hyperkarbie, eines subkutanen Emphysems, Pneumomediastinums, Pneumothorax, Pneumokrotax, einer Harnretention erhöhen.
- Bei Verwendung der optionalen Dämpfkappe (8 mm, 12 mm):
  - Den blauen Schaumstoff und die blaue Dichtung der Dämpfkappe vor der Verwendung einer Prüfung unterziehen.
  - Die Dämpfkappe nach dem Gebrauch auf Schäden jeglicher Art überprüfen.
- Bei der Einführung des AirSeal-Zugangs mit äußerster Vorsicht vorgehen. Die unsachgemäße Anwendung dieses Produkts kann zu lebensgefährlichen Verletzungen der inneren Organe und Gefäße führen.
  - Sicherstellen, dass ein angemessenes Pneumoperitoneum oder Pneumorektum erzeugt wird
  - Sicherstellen, dass der Patient ordnungsgemäß positioniert ist, sodass sich die Organe nicht in der Nähe der Einstichstelle befinden
  - Die AirSeal-Zugangsspitze weg von den betreffenden Gefäßen und Organen führen
  - Achten Sie darauf, dass die Außenwand des AirSeal Access-Zugangssports nur mit Gewebe in Berührung kommt und nicht zwischen harten Oberflächen wie anderen Instrumenten oder Knochen eingeklemmt wird oder mit diesen kollidiert. Längerer oder plötzlicher Kontakt mit harten Oberflächen kann zu einer Beschädigung oder zum Brechen des Zugangssports führen.
  - Keine übermäßige abwärts gerichtete Kraft aufwenden
- Es sollten nur chirurgische Handinstrumente durch den AirSeal-Zugangsport geführt werden. Führen Sie KEINE Trokare oder roboterassistierte Instrumente durch den AirSeal-Zugangsport ein. Eine unsachgemäße Verwendung kann zu einer Beschädigung oder einem Brechen des Zugangssports führen.
- Die Designmerkmale des klingelosen Zugangs mit optischer Spitze sind dafür vorgesehen, die Wahrscheinlichkeit von Verletzungen bei der Penetration der darunter liegenden anatomischen Strukturen zu minimieren. Nichtsdestotrotz müssen bei allen Einführverfahren die üblichen Vorsichtsmaßnahmen beachtet werden.
- Obgleich der klingelose Zugang mit optischer Spitze mit einer „klingelosen“ Spitze ausgestattet ist, muss wie bei anderen Geräten auch mit der nötigen Sorgfalt vorgegangen werden, um Schäden an wichtigen Gefäßen und anderen anatomischen Strukturen (wie z. B. dem Darm und dem Mesenterium) zu vermeiden. Folgendes sicherstellen, um das Verletzungsrisiko auf ein Minimum zu reduzieren:
  - Ein angemessenes Pneumoperitoneum oder Pneumorektum erzeugen;
  - Den Patienten ordnungsgemäß positionieren, damit sich die Organe nicht im Bereich der Penetration befinden
  - wichtige anatomische Orientierungspunkte zu notieren
  - Die AirSeal-Zugangsspitze weg von den größeren Gefäßen und Strukturen führen
  - Keine übermäßige oder unkontrollierte Kraft aufwenden
  - Sofern möglich, sollte eine Einführmethode mit einer Optik verwendet werden.
- Sobald eine teilweise Einführung vorgenommen wurde, ist nur noch sehr wenig Kraft erforderlich, um den Zugang ganz vorzuschieben. Übermäßiger Druck kann zu einer Verletzung der darunter liegenden anatomischen Strukturen führen.
- Sobald die Einführung mithilfe der Endoskops erfolgt ist, sollte der klingelose Zugang mit optischer Spitze nicht zur zusätzlichen Penetration vorgeführt werden. Ein weiteres Verschieben des Zugangs an dieser Stelle könnte eine Verletzung der darunter liegenden anatomischen Strukturen verursachen.
- Nach dem sicheren und ordnungsgemäßen Eintritt sicherstellen, dass die schwarze Linie an der distalen Spitze des AirSeal-Zugangs in der Kavität immer sichtbar ist, wenn der AirSeal-Zugang zur Insufflation verwendet wird.
- Nicht versuchen, sekundäre Trokar-Punkturen durchzuführen, bis die Primärstelle und der empfohlene intraabdominale Druck (normalerweise 12–18 mmHg) erreicht sind.
- Nachdem die Kanüle aus der Bauchhöhle entfernt wurde, ist letztere stets auf Hämostase zu untersuchen. Falls keine Hämostase vorliegt, sind angemessene Methoden anzuwenden, um eine Hämostase zu erzielen.
- Das dreilumige Filterschlauchset mit Aktivkohlefilter und das bifurkierte Schlauchset zur Raucheвакуierung mit Aktivkohlefilter sind mit Flüssigkeitssensoren ausgestattet, die den Flüssigkeitspegel in den Filtern überwachen und Anwender bei einer möglichen Gerätekontamination warnen. Ist der Flüssigkeitsabscheider des Filtergehäuses bis zum Flüssigkeitspegel **Low** (niedrig) gefüllt, erscheint eine Warnmeldung auf der Touchscreenanzeige und ein akustisches Signal ertönt. Überprüfen Sie die Position von Trokar und Schlauch, damit möglichst nicht mehr Flüssigkeit in den Filter laufen kann. Obroturator zu diesem Zeitpunkt in den AirSeal-Zugang einführen und das Filterschlauchset austauschen.
- Instrumente oder Geräte, die mit Körperflüssigkeiten in Kontakt kommen, erfordern möglicherweise eine besondere Entsorgung, um eine biologische Kontamination zu vermeiden.

## KONTRAINDIKATIONEN

Der Einsatz des AirSeal IFS ist dann kontraindiziert, wenn endoskopische minimalinvasive Verfahren kontraindiziert sind.

**WICHTIG:** Diese Packungsbeilage enthält eine Gebrauchsanleitung. Sie dient nicht als Hinweis oder Leitfaden in Bezug auf Einführmethoden von Trokaren. Der Erfolg des Einsatzes eines klingelosen Trokars mit optischer Spitze als Primärzugang nach der Insufflation hängt von der Erkennung und Unterscheidung zwischen Gewebeschichten ab. Daher sollten neue Anwender nach der Insufflation die Trokare mit optischer Spitze als Sekundärzugang verwenden, um durch die

Visualisierung der Gewebeschichten an Erfahrung und Verfahrenskompetenz zu gewinnen. Trokare mit optischer Spitze sollten nach der Insufflation nur dann als Primärzugang verwendet werden, wenn ausreichend Erfahrung mit der oben beschriebenen Methode vorhanden ist.

**Hinweis:** Das Sterilbarriersystem ist auf sichtbare Probleme hinsichtlich der Unversehrtheit der Verpackung zu prüfen, die sich auf die Sterilität auswirken können. Dieser Schritt erfolgt vor der aseptischen Präsentation. Nicht verwenden, falls eine Beeinträchtigung des Sterilbarriersystems gefunden wurde.

## GEBRAUCHSANWEISUNG

### Allgemeine Gebrauchsanleitung des AirSeal-Zugangs im AirSeal-Modus:

**Hinweis:** Funktionen im Zusammenhang mit spezifischen Software-Revisionen finden Sie in der Gebrauchsanweisung des IFS.

1. Das AirSeal IFS durch Drücken des Schalters „ON/OFF“ (EIN/AUS) einschalten (Abb. 1, A).
2. Der Hebel am AirSeal IFS sollte in der oberen bzw. in der Position UNLOCK (entriegelt) stehen (Abb. 1, D).
3. Das dreilumige Filterschlauchset erst nach Abschluss des beim Einschalten durchgeführten Selbsttests anschließen.
4. Das dreilumige Schlauchset unter Anwendung eines sterilen Verfahrens aus der Verpackung nehmen. Um Schäden zu vermeiden, darf das Gerät nicht auf das sterile Feld gedreht werden.
5. Das Filtergehäuse des dreilumigen Schlauchsets mit der Schlauchset-Buchse an der Vorderseite des AirSeal IFS verbinden (Abb. 1, C).
6. Den Hebel nach unten in die Position LOCK (verriegelt) drücken (Abb. 9). Der AirSeal-Modus startet automatisch.  
**Hinweis:** Wenn der pädiatrische AirSeal-Modus aktiviert ist, werden Sie aufgefordert, den AirSeal-Modus für Erwachsene oder pädiatrische Patienten auszuwählen. Einzelheiten zum „Pediatric AirSeal Mode“ (Pädiatrischer AirSeal-Modus) sind in der Gebrauchsanweisung für AirSeal IFS zu finden.
7. Im Menü auf der Touchscreenanzeige des AirSeal IFS sicherstellen, dass der Gaszufuhrpegel ausreicht (Abb. 1, B).
8. Die gewünschten Durchfluss- und Druckeinstellungen für den Patienten auswählen. Auf „Confirm“ (Bestätigen) drücken, um die Patienteneinstellungen zu bestätigen.

**Weitere Anweisungen zur Einführung der Veress-Kanüle mit dem klingenlosen Zugang mit optischer Spitze siehe unten. Diese Methode wird nicht für das Einführen stumpfer Spitzen (Hasson-Stil) ins Abdomen verwendet. Wird das Veress-Kanüleneinführverfahren nicht verwendet, bei Schritt 9 fortfahren.**

- Der einlumige Adapter ist am dreilumigen Filterschlauchset mit Aktivkohlefilter vormontiert.
- Den einlumigen Adapter mit dem Luer-Anschluss der Veress-Kanüle verbinden und gemäß der Anleitung des Herstellers einführen.
- Die jeweils gewünschten Werte für Fluss und Druck auf der Touchscreenanzeige des AirSeal IFS einstellen.
- Wenn an der Touchscreenanzeige des AirSeal IFS „Start“ (Start) gedrückt wird, beginnt die anfängliche Insufflation.
- Nachdem die anfängliche Insufflation erreicht ist, das dreilumige Filterschlauchset mit Aktivkohlefilter vom einlumigen Adapter entfernen.
- Die Veress-Kanüle abnehmen.

**Wenn der AirSeal-Zugang nicht der erste zu platzierende Trokar ist, den einlumigen Adapter am dreilumigen Filterschlauchset mit Aktivkohlefilter angeschlossen lassen und den einlumigen Adapter auf den Luer-Anschluss des ersten platzierten Standardtrokars transferieren. Den einlumigen Adapter erst dann entfernen, wenn der AirSeal-Zugang angeschlossen wurde.**

9. Den AirSeal-Zugang und die optionale Dämpfkappe (8 mm, 12 mm) unter Anwendung eines sterilen Verfahrens aus der Verpackung nehmen. Um Schäden zu vermeiden, darf das Gerät nicht auf das sterile Feld gedreht werden.
10. Der AirSeal-Zugang (Obturator und Kanüle) wird vormontiert in der Verpackung geliefert und braucht daher nicht zusammengebaut werden.  
**Hinweis:** Sollte doch eine Montage des Zugangs erforderlich sein, den Obturator in die Kanüle einführen, bis beide sicher miteinander verrastet.
11. Sicherstellen, dass Obturator und Kanüle korrekt zusammengebaut sind. **Hinweis:** Wird ein Zugang mit stumpfer Spitze verwendet, muss darauf geachtet werden, den Federanker ebenfalls korrekt zu platzieren (Abb. 4, D).
12. Anhand der üblichen chirurgischen Verfahren einen Einschnitt vornehmen. (Hinweis: Der Einschnitt sollte dem Durchmesser der Kanüle entsprechen. Ein nicht ordnungsgemäß vorgenommener Einschnitt kann einen größeren Widerstand bei der Einführung, eine größere Penetrationskraft und möglicherweise den Verlust der Kontrolle während der Einführung nach sich ziehen.)

**Der montierte Zugang ist einführbereit. Wird ein Zugang mit stumpfer Spitze verwendet, ist ein angemessenes laparoskopisches Verfahren (Hasson-Einführung) anzuwenden.**

13. Den zusammengebauten Zugang mit einer Drehbewegung von 30° bis 90° durch den Einschnitt in der Haut einführen. Dabei über den Griff einen kontinuierlichen, jedoch gezielten Druck nach unten ausüben.
14. Sicherstellen, dass der Zugang korrekt eingeführt ist. Den Obturator zu diesem Zeitpunkt noch nicht aus der Kanüle ziehen. **Hinweis:** Bei Verwendung des Zugangs mit stumpfer Spitze sollte der Federanker gemäß dem üblichen Verfahren anhand einer Naht am Abdomen des Patienten fixiert werden.
15. Sicherstellen, dass die schwarze Linie an der distalen Spitze des AirSeal Zugangs in der Kavität immer sichtbar ist, wenn der AirSeal Zugang zur Insufflation verwendet wird.
16. Das Verteilerstück von der Seite der Kanüle auf dem AirSeal-Zugangsport nehmen und das distale Ende des dreilumigen Filterschlauchsets mit Aktivkohlefilter am Verteiler der Kanüle anschließen und festziehen.  
**Hinweis:** Wenn das AirSeal-Schlauchset und der Zugangsport nicht richtig angezogen sind, spiegeln die Druckmesswerte auf dem Gerät möglicherweise nicht den vom Patienten empfundenen Druck wider. Eine sichere Verbindung kann visuell bestätigt werden, wenn eine der weißen Finnen auf dem Bullaugenanschluss des Schlauchsets direkt mit der Oberseite des Zugangsports ausgerichtet ist (Abb. 15). Wenn Sie direkt in das Bullauge des Zugangsports blicken, während das Schlauchset angeschlossen ist, sollte eine der Finnen am Anschlussstück des Schlauchsets direkt senkrecht zum Zugangsport stehen (Abb. 16).
17. AirSeal wird automatisch aktiviert. Den Obturator an seiner Position belassen, bis ein hörbarer Ton ertönt und die grüne Meldung „AirSeal active“ (AirSeal aktiv) angezeigt wird.
18. Den Obturator aus der Kanüle durch Zusammendrücken der Sperrtasten entfernen, so dass beide Geräte voneinander getrennt sind. **Hinweis:** Der Zugang mit stumpfer Spitze verfügt über keine Sperrtasten und kann daher entfernt werden, indem der Obturator gerade aus der Kanüle gezogen wird.
19. Sobald der AirSeal-Modus aktiviert ist und der Obturator aus der AirSeal-Kanüle gezogen wurde, erfolgt die Flussrate automatisch. **Hinweis:** Die Stärke der Raucheвакуierung kann auf „High“ (Hoch) oder „Low“ (Niedrig) eingestellt werden.
20. Bei Bedarf kann die optionale Dämpfkappe (8 mm, 12 mm) nun auf der Kanüle platziert werden. (Hinweis: Wenn eine optionale Dämpfkappe verwendet wird, beim Einführen eines scharfen oder großen Instruments über die Kanüle vorsichtig vorgehen. Die optionale Dämpfkappe kann während des Verfahrens jederzeit von der Kanüle entfernt werden und sollte abgenommen werden, bevor scharfe oder große Gegenstände in die Kanüle eingeführt werden.)
21. Im Anschluss an das Verfahren die Schaltfläche STOP (Stopp) auf der Touchscreenanzeige drücken, um die AirSeal-Insufflation zu unterbrechen (Hinweis: Dies führt zu einem Verlust des Pneumoperitoneums). Unter Anwendung der üblichen laparoskopischen Verfahren sämtliche chirurgischen Instrumente entfernen und die entsprechenden Zugangsstellen auf die übliche Art und Weise schließen. **Hinweis:** Nach Abschluss des Verfahrens wird im AirSeal-Modus eine finale Kalibrierung durchgeführt, bevor das Gerät herunterfährt. Während dieser Prozedur wird weder DRF aufgebaut noch findet eine Insufflation statt. Vor dem Entfernen des dreilumigen Filterschlauchsets mit Aktivkohlefilter und dem Ausschalten des IFS auf Abschluss der finalen Kalibrierung warten.
22. Den Hebel am AirSeal IFS nach oben bzw. in die Position UNLOCK (entriegelt) bringen.
23. Das dreilumige Filterschlauchset mit Aktivkohlefilter von der Schlauchset-Buchse des AirSeal IFS abziehen.
24. Während des ersten Starts durchläuft das Gerät eine Funktionskontrolle. Das Gerät muss daher vor jeder Operation ausgeschaltet und wieder eingeschaltet werden.

## **Nachfolgend finden Sie weitere Anweisungen zur Einführung des klingelosen Zugangs mit optischer Spitze mithilfe eines Endoskops.**

**Hinweis: Funktionen im Zusammenhang mit spezifischen Software-Revisionen finden Sie in der Gebrauchsanweisung des IFS.**

1. Das 0°-Endoskop an der Lichtquelle anschließen und gemäß den Anweisungen des Herstellers überwachen. Überprüfen, ob das Endoskop korrekt angeschlossen und das Bild auf dem Monitor deutlich erkennbar ist.
2. Das Endoskop in die Öffnung am proximalen Ende des Griffs des klingelosen Zugangs mit optischer Spitze einführen, bis es die distale Spitze des Zugangs erreicht. (Endoskop-Einführung; Abb. 12).
3. Das Endoskop wie gewünscht drehen. (Endoskop-Einführung; Abb. 13).
4. Um ein klares Bild auf dem Monitor zu liefern, das Endoskop in den Griff des klingelosen Zugangs mit optischer Spitze einführen, die optische Spitze mit einer passenden weichen Oberfläche in Kontakt bringen und die Kamera scharf stellen.
5. Anhand der üblichen chirurgischen Verfahren einen Einschnitt vornehmen. (**Hinweis:** Der Einschnitt sollte dem Durchmesser der Kanüle entsprechen. Ein nicht ordnungsgemäß vorgenommener Einschnitt kann einen größeren Widerstand bei der Einführung, eine größere Penetrationskraft und möglicherweise den Verlust der Kontrolle während der Einführung nach sich ziehen.) Den zusammengebauten Zugang mit einer Drehbewegung von 30° bis 90° durch den Einschnitt in der Haut einführen. Dabei über den Griff einen kontinuierlichen, jedoch gezielten Druck nach unten ausüben.
6. Während der Einführung des Zugangs dessen Penetration der einzelnen Gewebeschichten anhand des Laparoscops beobachten. Die einzelnen Gewebeschichten sind sichtbar, während der Zugang vordringt.
7. Das Laparoscops vom klingelosen Zugang mit optischer Spitze lösen (Entfernung des Endoskops; Abb. 14).
8. Das Verfahren den obenstehenden Anweisungen entsprechend fortführen, beginnend bei Schritt 13.

## **GEBRUCHSANWEISUNG**

### **Gebrauchsanleitung für den AirSeal-Zugang im AirSeal-Modus bei transanal Anwendungen:**

**Hinweis: Funktionen im Zusammenhang mit spezifischen Software-Revisionen finden Sie in der Gebrauchsanweisung des IFS.**

1. Das AirSeal IFS durch Drücken des Schalters „ON/OFF“ (EIN/AUS) einschalten (Abb. 1, A).
2. Der Hebel am AirSeal IFS sollte in der oberen bzw. in der Position UNLOCK (entriegelt) stehen (Abb. 1, D).
3. Das dreilumige Filterschlauchset erst nach Abschluss des beim Einschalten durchgeführten Selbsttests anschließen.
4. Das dreilumige Schlauchset unter Anwendung eines sterilen Verfahrens aus der Verpackung nehmen. Um Schäden zu vermeiden, darf das Gerät nicht auf das sterile Feld gedreht werden.
5. Das Filtergehäuse des dreilumigen Schlauchsets mit der Schlauchset-Buchse an der Vorderseite des AirSeal IFS verbinden (Abb. 1, C).
6. Den Hebel nach unten in die Position LOCK (verriegelt) drücken (Abb. 9). Der AirSeal-Modus startet automatisch.  
**Hinweis:** Wenn der pädiatrische AirSeal-Modus aktiviert ist, werden Sie aufgefordert, den AirSeal-Modus für Erwachsene oder pädiatrische Patienten auszuwählen. Einzelheiten zum „Pediatric AirSeal Mode“ (Pädiatrischer AirSeal-Modus) sind in der Gebrauchsanweisung für AirSeal IFS zu finden.
7. Im Menü auf der Touchscreenanzeige des AirSeal IFS sicherstellen, dass der Gaszufuhrpegel ausreicht (Abb. 1, B).
8. Die gewünschten Durchfluss- und Druckeinstellungen für den Patienten auswählen. Auf „Confirm“ (Bestätigen) drücken, um die Patienteneinstellungen zu bestätigen.
9. Den AirSeal-Zugang und die optionale Dämpfkappe (8 mm, 12 mm) unter Anwendung eines sterilen Verfahrens aus der Verpackung nehmen. Um Schäden zu vermeiden, darf das Gerät nicht auf das sterile Feld gedreht werden.
10. Der AirSeal-Zugang (Obturator und Kanüle) wird vormontiert in der Verpackung geliefert und braucht daher nicht zusammengebaut werden.  
**Hinweis:** Sollte doch eine Montage des Zugangs erforderlich sein, den Obturator in die Kanüle einführen, bis beide sicher miteinander verrasten.
11. Sicherstellen, dass Obturator und Kanüle korrekt zusammengebaut sind.
12. Die Gebrauchsanleitung des Herstellers für die Plattformvorrichtung befolgen, die zum Legen des transanal Zugangs im Rektum ausgewählt wurde.
13. Den Zugang durch die transanale Plattformvorrichtung für den Zugang in das angemessene Lumen oder die Kanülenposition einführen. Den Zugang mit einer Drehbewegung von 30° bis 90° durch die transanale Plattformvorrichtung für den Zugang schieben. Dabei über den Griff einen kontinuierlichen, jedoch gezielten axialen Druck auf den Zugang ausüben, bis dieser sicher in der transanal Plattformvorrichtung für den Zugang sitzt.
14. Sicherstellen, dass Obturator und Kanüle korrekt eingeführt sind. Den Obturator zu diesem Zeitpunkt noch nicht aus der Kanüleneinheit ziehen.
15. Das Verteilerstück von der Seite der Kanüle auf dem AirSeal-Zugangsport nehmen und das distale Ende des dreilumigen Filterschlauchsets mit Aktivkohlefilter am Verteiler der Kanüle anschließen und festziehen.  
**Hinweis:** Wenn das AirSeal-Schlauchset und der Zugangsport nicht richtig angezogen sind, spiegeln die Druckmesswerte auf dem Gerät möglicherweise nicht den vom Patienten empfundenen Druck wider. Eine sichere Verbindung kann visuell bestätigt werden, wenn eine der weißen Finnen auf dem Bullaugenanschluss des Schlauchsets direkt mit der Oberseite des Zugangsports ausgerichtet ist (Abb. 15). Wenn Sie direkt in das Bullauge des Zugangsports blicken, während das Schlauchset angeschlossen ist, sollte eine der Finnen am Anschlussstück des Schlauchsets direkt senkrecht zum Zugangsport stehen (Abb. 16).
16. AirSeal wird automatisch aktiviert. Den Obturator an seiner Position belassen, bis ein hörbarer Ton ertönt und die grüne Meldung „AirSeal active“ (AirSeal aktiv) angezeigt wird.
17. Den Obturator aus der Kanüle durch Zusammendrücken der Sperrtasten entfernen, so dass beide Geräte voneinander getrennt sind.
18. Sobald der AirSeal-Modus aktiviert ist und der Obturator aus der AirSeal-Kanüle gezogen wurde, erfolgt die Flussrate automatisch.  
**Hinweis:** Die Stärke der Raucheвакуierung kann auf „High“ (Hoch) oder „Low“ (Niedrig) eingestellt werden.
19. Bei Bedarf kann die optionale Dämpfkappe (8 mm, 12 mm) nun auf der Kanüle platziert werden. (**Hinweis:** Wenn eine optionale Dämpfkappe verwendet wird, beim Einführen eines scharfen oder großen Instruments über die Kanüle vorsichtig vorgehen. Die optionale Dämpfkappe kann während des Verfahrens jederzeit von der Kanüle entfernt werden und sollte abgenommen werden, bevor scharfe oder große Gegenstände in die Kanüle eingeführt werden.)
20. Im Anschluss an das Verfahren die Schaltfläche STOP (Stopp) auf der Touchscreenanzeige drücken, um die AirSeal-Insufflation zu unterbrechen (**Hinweis:** Dies führt zu einem Verlust des Pneumoperitoneums). Unter Anwendung der üblichen laparoskopischen Verfahren sämtliche chirurgischen Instrumente entfernen und die entsprechenden Zugangsstellen auf die übliche Art und Weise schließen.  
**Hinweis:** Nach Abschluss des Verfahrens wird im AirSeal-Modus eine finale Kalibrierung durchgeführt, bevor das Gerät herunterfährt. Während dieser Prozedur wird weder Druck aufgebaut noch findet eine Insufflation statt. Vor dem Entfernen des dreilumigen Filterschlauchsets mit Aktivkohlefilter und dem Ausschalten des IFS auf Abschluss der finalen Kalibrierung warten.
21. Den Hebel am AirSeal IFS nach oben bzw. in die Position UNLOCK (entriegelt) bringen.
22. Das dreilumige Filterschlauchset mit Aktivkohlefilter von der Schlauchset-Buchse des AirSeal IFS abziehen.
23. Während des ersten Starts durchläuft das Gerät eine Funktionskontrolle. Das Gerät muss daher vor jeder Operation ausgeschaltet und wieder eingeschaltet werden.

## **Allgemeine Anleitungen zur Verwendung im Raucheвакуierungs- und Standardinsufflationsmodus:**

### **ANFÄNGLICHE INSUFFLATION MIT DER VERESS-KANÜLE**

**Hinweis: Funktionen im Zusammenhang mit spezifischen Software-Revisionen finden Sie in der Gebrauchsanweisung des IFS.**

1. Das AirSeal IFS durch Drücken des Schalters „ON/OFF“ (EIN/AUS) einschalten (Abb. 1, A).
2. Nach Durchführung des diagnostischen Selbsttests in der Modusausswahl des AirSeal IFS auf der Touchscreenanzeige den Raucheвакуierungsmodus oder den Standardinsufflationsmodus auswählen (Abb. 1, B).
3. Im Menü auf der Touchscreenanzeige des AirSeal IFS sicherstellen, dass der Gaszufuhrpegel ausreicht (Abb. 1, B).
4. Das passende Schlauchset mit dem AirSeal IFS verbinden (siehe spezifische Anleitungen unten zum Anschluss des bifurkierten Schlauchsets zur Raucheвакуierung mit Aktivkohlefilter).  
**Hinweis:** Im Gegensatz zu anderen Schlauchsets lässt sich das einlumige Schlauchset mit dem Anschluss des Insufflationsschlauchs an der Vorderseite des AirSeal IFS verbinden.
5. Das Luer-Lock-Verbindungsstück des Schlauchsets auf die übliche Weise mit dem Ende einer Veress-Kanüle oder einem herkömmlichen Trokar verbinden. (Siehe spezifische Anweisungen unten zum Anschluss des bifurkierten Schlauchsets zur Raucheвакуierung mit Aktivkohlefilter).
6. Die jeweils gewünschten Werte für Fluss und Druck auf der Touchscreenanzeige des AirSeal IFS einstellen. Auf „Confirm“ (Bestätigen) drücken, um die Patienteneinstellungen zu bestätigen.
7. Wenn an der Touchscreenanzeige des AirSeal IFS „Start“ (Start) gedrückt wird, beginnt die anfängliche Insufflation.
8. Nach Erreichen der anfänglichen Insufflation **den herkömmlichen Trokar in die Standard-Luer-Anschlüsse einführen.**

9. Im Anschluss an das Verfahren die Schaltfläche **STOP** (Stopp) auf der Touchscreenanzeige drücken, um die Insufflation zu unterbrechen (**Hinweis:** Dies führt zu einem Verlust des Pneumoperitoneums). Unter Anwendung der üblichen laparoskopischen Verfahren sämtliche chirurgischen Instrumente entfernen und die entsprechenden Zugangsstellen auf die übliche Art und Weise schließen.
10. Das Schlauchset vom AirSeal iFS trennen (siehe spezifische Anleitungen unten zum Trennen des bifurkierten Schlauchsets zur Rauechvakuumierung mit Aktivkohlefilter).
11. Während des ersten Starts durchläuft das Gerät eine Funktionskontrolle. Das Gerät muss daher vor jeder Operation ausgeschaltet und wieder eingeschaltet werden.

#### **Siehe weitere Anweisungen unten für das bifurkierte Schlauchset zur Rauechvakuumierung mit Aktivkohlefilter**

#### **Zur Verwendung mit zwei herkömmlichen Trokaren mit Standard-Luer-Anschlüssen und dem bifurkierten Schlauchset zur Rauechvakuumierung mit Aktivkohlefilter.**

Durchsichtiger Schlauch: Insufflation

Blauer Schlauch: Smoke Evacuation

#### Anschluss des bifurkierten Schlauchsets zur Rauechvakuumierung mit Aktivkohlefilter

#### **Hinweis: Funktionen im Zusammenhang mit spezifischen Software-Revisionen finden Sie in der Gebrauchsanweisung des iFS.**

1. Der Hebel am AirSeal iFS sollte in der oberen bzw. in der Position UNLOCK (entriegelt) stehen (Abb. 1, D).
2. Das Filtergehäuse des bifurkierten Filterschlauchsets zur Rauechvakuumierung mit Aktivkohlefilter mit der Schlauchset-Buchse an der Vorderseite des AirSeal iFS verbinden (Abb. 1, C).
3. Den Hebel nach unten in die Position LOCK (verriegelt) drücken.
4. Die Veress-Kanüle mit dem Luer-Lock-Verbindungsstück des durchsichtigen Schlauchs auf dem bifurkierten Schlauchset zur Rauechvakuumierung mit Aktivkohlefilter verbinden.
5. Die jeweils gewünschten Werte für Fluss und Druck auf der Touchscreenanzeige des AirSeal iFS einstellen. Auf „Confirm“ (Bestätigen) drücken, um die Patienteneinstellungen zu bestätigen.
6. Wenn an der Touchscreenanzeige des AirSeal iFS „Start“ (Start) gedrückt wird, beginnt die anfängliche Insufflation.
7. Sicherstellen, dass die Kanülen korrekt eingeführt sind.
8. Die Veress-Kanüle entfernen und vom bifurkierten Schlauchset zur Rauechvakuumierung mit Aktivkohlefilter trennen.
9. Das Luer-Lock-Verbindungsstück des **DURCHSICHTIGEN** Schlauchs des bifurkierten Schlauchsets zur Rauechvakuumierung mit Aktivkohlefilter mit der herkömmlichen Kanüle verbinden. Das Einflusssventil / den Sperrhahn öffnen.
10. Den Aufforderungen auf der Touchscreenanzeige des AirSeal iFS folgen. Bei entsprechender Aufforderung das Luer-Lock-Verbindungsstück des **BLAUEN** Schlauchs des bifurkierten Schlauchsets zur Rauechvakuumierung mit Aktivkohlefilter mit einer anderen herkömmlichen Kanüle verbinden. Die Insufflation bleibt aktiviert.
11. Ist das Luer-Lock-Verbindungsstück des **BLAUEN** Schlauchs des bifurkierten Schlauchsets zur Rauechvakuumierung mit Aktivkohlefilter mit der zweiten herkömmlichen Kanüle verbunden, ist die Rauechvakuumierung aktiviert.

**SCHWERWIEGENDE ZWISCHENFÄLLE – Melden Sie alle schwerwiegenden Zwischenfälle im Zusammenhang mit der Verwendung dieses Geräts unverzüglich dem CONMED-Kundendienst oder Ihrem lokalen CONMED-Vertreter. E-Mail: CustomerExperience@CONMED.com**

#### Entfernen des bifurkierten Schlauchsets zur Rauechvakuumierung mit Aktivkohlefilter

#### **Hinweis: Funktionen im Zusammenhang mit spezifischen Software-Revisionen finden Sie in der Gebrauchsanweisung des iFS.**

1. Im Anschluss an das Verfahren die Schaltfläche **STOP** (Stopp) auf der Touchscreenanzeige drücken, um die Insufflation zu unterbrechen (**Hinweis:** Dies führt zu einem Verlust des Pneumoperitoneums). Unter Anwendung der üblichen laparoskopischen Verfahren sämtliche chirurgischen Instrumente entfernen und die entsprechenden Zugangsstellen auf die übliche Art und Weise schließen.
2. Den Hebel an der AirSeal iFS-Einheit nach oben bzw. in die Position UNLOCK (entriegelt) bringen.
3. Das bifurkierte Schlauchset zur Rauechvakuumierung mit Aktivkohlefilter von der Schlauchset-Buchse des AirSeal iFS abziehen.
4. Während des ersten Starts durchläuft das Gerät eine Funktionskontrolle. Das Gerät muss daher vor jeder Operation ausgeschaltet und wieder eingeschaltet werden.

#### **ENTSORGUNG**

Das Gerät in Übereinstimmung mit den örtlichen Krankenhausvorschriften entsorgen.

#### **LIEFERFORM**

Der optische AirSeal-Zugangsport, der AirSeal-Zugangsport mit flachem Profil, die optionale Dämpfkappe (8 mm, 12 mm), der stumpfe AirSeal-Zugangsport, die AirSeal-Kanüle, das bifurkierte Schlauchset zur Rauechvakuumierung mit Aktivkohlefilter, das dreilumige Filterschlauchset mit Aktivkohlefilter, das einlumige AirSeal-Schlauchset und der einlumige AirSeal-Adapter werden jeweils mit Gammastrahlung sterilisiert und für die einmalige Anwendung am Patienten geliefert. Nach dem Gebrauch entsorgen. Die AirSeal Zugänge, Dämpfkappen und Schlauchsets sind nicht aus Naturkautschuklatex hergestellt.

Das AirSeal iFS wird nicht-steril geliefert und kann wiederverwendet werden.

AirSeal® ist eine eingetragene Marke von CONMED Corporation.

**(Rx ONLY) ACHTUNG:** Laut Bundesgesetz (USA) darf dieses Gerät nur von einem oder im Auftrag eines Arztes verkauft werden.

**AirSeal™ IFS**Puerto de acceso **AirSeal™**

Punta óptica sin cuchilla, punta óptica sin cuchilla de bajo perfil, punta óptica sin cuchilla con empuñadura y puertos de acceso con punta roma

**Conjuntos de tubos con filtro AirSeal™**

Conjunto de tubos con filtro para tres luces con filtro de carbón activado, conjunto de tubos con filtro para aspiración de humos bifurcados con filtro de carbón activado, conjunto de tubos con filtro para una única luz

**Vista esquemática: Ilustración y nomenclatura**

<p><b>AirSeal IFS (Fig. 1)</b></p> <p>A. Interruptor ON/OFF (ENCENDIDO/APAGADO)</p> <p>B. Pantalla táctil</p> <p>C. Conector para los modos AirSeal y Smoke Evacuation (Aspiración de humos)</p> <p>D. Palanca para el bloqueo del conjunto de tubos</p> <p>E. Conexión del tubo de insuflación para el modo Standard Insufflation (Insuflación estándar)</p> <p><b>Puertos de acceso sin cuchillas (Fig. 2/3)</b></p> <p>A. Conector múltiple</p> <p>B. Cánula</p> <p>C. Obturador con punta óptica sin cuchilla</p> <p>D. Bloqueo de la cánula</p> <p><b>Puertos de acceso con punta roma (Fig. 4)</b></p> <p>A. Conector múltiple</p> <p>B. Cánula</p> <p>C. Obturador de punta roma</p> <p>D. Anclajes de sutura: dispositivo con anclaje de sutura</p> <p><b>Tapá silenciadora opcional (Fig. 5)</b></p>	<p><b>Conjuntos de tubos (Fig. 6/7/8)</b></p> <p>A. Filtro</p> <p>B. Tubo de 8-10 ft. (2,5-3 metros)</p> <p>C. Conector luer</p> <p>D. Montaje del adaptador para una única luz</p> <p>E. Abrazadera de apriete manual</p> <p><b>Modo AirSeal (Fig. 9)</b></p> <p><b>Modo Smoke Evacuation (Aspiración de humos) (Fig. 10)</b></p> <p><b>Modo Standard Insufflation (Insuflación estándar) (Fig. 11)</b></p> <p><b>Inserción del endoscopio (Fig. 12)</b></p> <p>A. Puerto de acceso AirSeal</p> <p>B. Endoscopio del tamaño adecuado</p> <p><b>Inserción del endoscopio (Fig. 13)</b></p> <p>A. El movimiento de rotación durante la inserción disminuirá la fuerza de inserción</p> <p><b>Retirada del endoscopio (Fig. 14)</b></p> <p>A. Retraiga el endoscopio</p> <p>B. Presione aquí para liberar la cánula</p> <p><b>Vista superior del puerto de acceso AirSeal con conexión adecuada al conjunto de tubos AirSeal (Fig. 15)</b></p> <p>A. Aleta del conector de ojo de buey del conjunto de tubos</p> <p><b>Vista frontal del puerto de acceso AirSeal con conexión adecuada al conjunto de tubos AirSeal (Fig. 16)</b></p> <p>A. Aleta del conector de ojo de buey del conjunto de tubos</p>
---	--

**¡IMPORTANTE! ANTES DE USAR EL PRODUCTO, LEA DETENIDAMENTE LA SIGUIENTE INFORMACIÓN.**

Este folleto está diseñado para ayudarle en el uso de este producto. Esta no es una referencia para técnicas quirúrgicas. Además, consulte las Instrucciones de uso del AirSeal IFS para obtener instrucciones completas sobre el AirSeal IFS y todos los modos de funcionamiento.

**INDICACIONES DE USO:**

El sistema AirSeal™ IFS de CONMED se utiliza en intervenciones endoscópicas diagnósticas o terapéuticas para la distensión de las cavidades mediante gas, para crear y mantener una vía de acceso para los instrumentos endoscópicos y aspirar los humos quirúrgicos. Se utiliza en intervenciones abdominales, torácicas y pediátricas en que el objetivo de la insuflación es permitir el uso de diversos instrumentos toracoscópicos y laparoscópicos al llenar la cavidad abdominal o torácica de gas y distenderla, así como para crear y mantener una vía de acceso estanca para los instrumentos sin obstáculos y aspirar los humos quirúrgicos. El sistema también se puede utilizar para distender el recto y el colon con el fin de realizar exploraciones endoscópicas e intervenciones diagnósticas y terapéuticas. El trocar del sistema AirSeal™ IFS está indicado para su uso con o sin visualización.

**El AirSeal IFS dispone de tres modos de funcionamiento:**

1. **Modo AirSeal (Fig. 9)**
2. **Modo Smoke Evacuation (Aspiración de humos) (Fig. 10)**
3. **Modo Standard Insufflation (Insuflación estándar) (Fig. 11)**

**Modo AirSeal:**

Cuando se utiliza en el modo AirSeal, el AirSeal IFS está diseñado para suministrar gas CO<sub>2</sub> con neumoperitoneo estable y una aspiración continua de humos durante la cirugía laparoscópica y requiere el uso del AirSeal IFS, dos trocares (no AirSeal) convencionales con puertos luer estándar y el conjunto de tubos para aspiración de humos bifurcados con filtro de carbón activado. El conjunto de tubos con filtro para tres luces con filtro de carbón activado se utiliza para conectar el puerto de acceso AirSeal al AirSeal IFS (Fig. 9).

**Modo Smoke Evacuation (Aspiración de humos):**

Cuando se utiliza en el modo Smoke Evacuation (Aspiración de humos), el AirSeal IFS está diseñado para suministrar gas CO<sub>2</sub> y una aspiración continua de humos durante una cirugía laparoscópica y requiere el uso del AirSeal IFS, dos trocares (no AirSeal) convencionales con puertos luer estándar y el conjunto de tubos para aspiración de humos bifurcados con filtro de carbón activado. Los dos trocares convencionales se utilizan para conectar el conjunto de tubos para aspiración de humos bifurcados con el filtro de carbón activado para suministrar gas CO<sub>2</sub> junto con una vía de aspiración de humos. El conjunto de tubos para aspiración de humos bifurcados con filtro de carbón activado está bifurcado y conecta los dos trocares convencionales al AirSeal IFS (Fig. 10).

**Modo Standard Insufflation (Insuflación estándar):**

Cuando se utiliza en el modo Standard Insufflation (Insuflación estándar), el AirSeal IFS está diseñado para suministrar gas CO<sub>2</sub> y una insuflación estándar durante una cirugía laparoscópica en el mismo formato que los insufladores convencionales, y requiere el uso del AirSeal IFS, un trocar (no AirSeal) convencional con puerto luer estándar y el conjunto de tubos con filtro para una única luz. El puerto luer del trocar se conecta al conjunto de tubos con filtro para una única luz para proporcionar insuflación estándar y suministro de gas CO<sub>2</sub>. El conjunto de tubos con filtro para una única luz conecta un trocar convencional al AirSeal IFS (Fig. 11).

**El puerto de acceso AirSeal cuenta con dos configuraciones disponibles:**

1. **Puerto de acceso con punta óptica sin cuchilla (Fig. 2 y 3)**
2. **Puerto de acceso con punta roma (Fig. 4)**

Si se utiliza alguno de los puertos de acceso con punta óptica sin cuchilla como vía de acceso primaria, se recomienda el uso de un laparoscopio para proporcionar visualización y mejorar la seguridad del acceso al abdomen.

**Los conjuntos de tubos AirSeal cuentan con tres configuraciones disponibles:**

1. **Conjunto de tubos con filtro para tres luces con filtro de carbón activado (Fig. 6)**
2. **Conjunto de tubos para aspiración de humos bifurcados con filtro de carbón activado (Fig. 7)**
3. **Conjunto de tubos con filtro para una única luz (Fig. 8)**

Asegúrese de utilizar el conjunto de tubos adecuado según el modo seleccionado en el AirSeal IFS. El modo AirSeal IFS seleccionado no procederá, y aparecerá un mensaje de advertencia, si se inserta el conjunto de tubos equivocado.

Los conjuntos de tubos con filtro no están diseñados para admitir líquido. Si entra líquido en el filtro, aparecerá un mensaje de advertencia en la pantalla táctil del AirSeal IFS. Si esto sucede, compruebe la colocación de la cánula y prepárese para reemplazar el conjunto de tubos.

#### ADVERTENCIAS:

- Si no se siguen correctamente las instrucciones de uso, pueden producirse graves consecuencias quirúrgicas.
- Solo los médicos cualificados con conocimientos, experiencia y formación en técnicas laparoscópicas deben utilizar los componentes del sistema AirSeal.
- Estas instrucciones de uso no incluyen descripciones ni instrucciones para técnicas quirúrgicas o procedimientos laparoscópicos. Es responsabilidad del médico que realiza el procedimiento determinar la idoneidad del tipo de procedimiento que se llevará a cabo con el uso de estos productos y determinar la técnica específica para cada paciente.
- Los componentes incluidos en el sistema AirSeal solo son estériles si se utilizan antes de la fecha de caducidad y si el paquete no está abierto ni dañado. NO los utilice después de la fecha de caducidad o si el envase está abierto o dañado.
- Todos los dispositivos de un solo uso del sistema AirSeal (puertos de acceso y conjuntos de tubos) están empaquetados y esterilizados para usarse en un solo paciente. No los reutilice, reprocese ni reesterilice. La reutilización, el reprocesamiento o la reesterilización de este dispositivo pueden poner en peligro la integridad estructural del dispositivo o hacer que falle el dispositivo, lo que, a su vez, puede ocasionar lesiones, enfermedades o la muerte del paciente. Asimismo, el reprocesamiento o la reesterilización de los dispositivos de un solo uso puede suponer un riesgo de contaminación de dichos dispositivos o provocar una infección o infección cruzada al paciente, incluyendo, entre otras, la transmisión de enfermedades infecciosas de un paciente a otro. La contaminación del dispositivo puede provocar lesiones, enfermedades o la muerte del paciente.
- No sumerja la punta de la cánula en irrigación o líquidos corporales.
- La alarma del AirSeal IFS sonará si los conductos de ventilación están bloqueados en los laterales o en la parte inferior de la consola de control. Si suena la alarma, compruebe si hay alguna obstrucción en los conductos de ventilación.
- Si las condiciones anteriores NO existen y la alarma sigue sonando, deje de usar el AirSeal IFS y devuélvalo al fabricante para su revisión.

#### PRECAUCIONES:

- La creación del neumoperitoneo tiene efectos secundarios fisiológicos conocidos, como la disminución del retorno venoso, la disminución del volumen cardíaco, la reducción de la función renal, el aumento de la presión intracraneal, el aumento de la resistencia de las vías respiratorias y la reducción de la distensibilidad pulmonar.
- Únicamente las personas con la formación, familiaridad y competencia correspondiente adecuadas en técnicas quirúrgicas mínimamente invasivas deberán realizar los procedimientos mínimamente invasivos. Consulte las publicaciones médicas relativas a las técnicas, complicaciones y peligros antes de realizar cualquier procedimiento mínimamente invasivo.
- Es fundamental comprender a fondo los principios y técnicas que intervienen en los procedimientos con láser, electroquirúrgicos y ultrasónicos para evitar los riesgos de descargas y quemaduras, tanto para el paciente como para el personal médico, así como daños al dispositivo u otros instrumentos médicos. Asegúrese de que el aislamiento eléctrico o la conexión a tierra no se vean afectados.
- Existe la posibilidad de arrastre de aire en las siguientes condiciones:
  - Presión intensa aplicada externamente en el abdomen
  - Fugas intensas y prolongadas a través de otros puertos convencionales en el lugar o en una incisión abierta
  - Succión intensa y prolongada
- En estas condiciones, como se describe arriba, el desplazamiento del gas de insuflación del gas de insuflación con el aire es temporal y el aire arrastrado se desplazará con el CO<sub>2</sub>. Se recomienda no exceder las presiones de insuflación >15 mm Hg en los procedimientos colorectales.
- Las presiones de insuflación más elevadas (>15 mm Hg) de la insuflación de dióxido de carbono pueden aumentar el riesgo de hipercapnia, enfisema subcutáneo, neumomediastino, neumotórax, neuromesocroto y retención urinaria.
- Si usa la tapa silenciadora opcional (8 mm, 12 mm):
  - Inspeccione la espuma y el sello de la tapa silenciadora antes de usarla.
  - Inspeccione la tapa silenciadora tras su uso para comprobar que no presente ningún tipo de daño físico.
- Tenga mucho cuidado durante la inserción del puerto de acceso AirSeal. El uso incorrecto de este producto puede provocar lesiones potencialmente mortales en los órganos y vasos internos.
  - Asegúrese de que se establezca un neumoperitoneo o neumorrecto adecuado
  - Asegúrese de que el paciente se encuentre en la posición adecuada para que los órganos estén lejos del lugar de la penetración
  - Dirija la punta del puerto de acceso AirSeal lejos de los vasos y órganos importantes
  - Cerciórese de que la pared exterior del puerto de acceso AirSeal solo esté en contacto con el tejido y no quede atrapada entre superficies rígidas (otros instrumentos o el hueso, por ejemplo) ni se choque contra estas superficies. El puerto de acceso podría dañarse o romperse por el contacto prolongado o abrupto con superficies rígidas.
  - No aplique una fuerza excesiva hacia abajo
- Solo debe introducirse instrumental quirúrgico de mano en el puerto de acceso AirSeal. NO introduzca trocares ni instrumentos robóticos en el puerto de acceso AirSeal. El puerto de acceso podría dañarse o romperse por un uso inadecuado.
- Las características de diseño del puerto de acceso con punta óptica sin cuchilla están destinadas a minimizar la probabilidad de lesionar las estructuras anatómicas subyacentes por penetración. No obstante, se deben respetar las medidas de precaución habituales para este tipo de inserciones.
- Aunque el puerto de acceso con punta óptica sin cuchilla no tenga una cuchilla en la punta, es necesario tener cuidado, como con todos estos dispositivos, de no dañar los vasos principales u otras estructuras anatómicas (como el bazo o el mesenterio). Para minimizar este riesgo, debe:
  - establecer un neumoperitoneo o neumorrecto adecuado;
  - colocar correctamente al paciente para que los órganos dejen libre la zona de penetración;
  - observar los puntos de referencia anatómicos importantes;
  - dirigir la punta del puerto de acceso AirSeal lejos de los vasos y las estructuras importantes;
  - no aplicar una fuerza excesiva o incontrolada;
  - emplear la técnica de entrada óptica siempre que sea posible.
- Una vez que se ha entrado parcialmente, es preciso ejercer muy poca fuerza para conseguir la entrada completa. Una fuerza excesiva podría dañar las estructuras anatómicas subyacentes.
- Una vez que se ha logrado entrar correctamente por vía endoscópica, no se debe hacer avanzar el puerto de acceso con punta óptica sin cuchilla para continuar avanzando, ya que pasar de este punto podría provocar lesiones en las estructuras anatómicas subyacentes.
- Una vez que se haya logrado una entrada segura y adecuada, asegúrese de que la línea negra en el extremo distal del puerto de acceso AirSeal sea visible dentro de la cavidad en todo momento en que se esté utilizando el puerto de acceso AirSeal para la insuflación.
- No intente realizar punciones secundarias con el trocar hasta que se establezcan la zona principal y la presión intraabdominal recomendada (normalmente 12-18 mm Hg).
- Después de retirar la cánula de la cavidad, revise siempre la zona para comprobar si se ha producido hemostasia. Si no hay hemostasia, deben utilizarse las técnicas adecuadas para lograrla.
- El conjunto de tubos con filtro para tres luces con filtro de carbón activado y el conjunto de tubos para aspiración de humos bifurcados con filtro de carbón activado están equipados con sensores de líquidos para controlar el nivel de líquido en los filtros y advertir a los usuarios acerca de una posible contaminación del dispositivo. Si la trampa de líquidos de la carcasa del filtro se llena hasta el nivel de líquido **bajo**, aparecerá un mensaje de advertencia en la pantalla táctil y se emitirá una señal acústica. Compruebe la posición del trocar y del tubo para evitar que siga penetrando líquido en el filtro. En este punto, vuelva a introducir el obturador en el puerto de acceso AirSeal y cambie el conjunto de tubos con filtro.
- Los instrumentos o dispositivos que entran en contacto con los líquidos corporales pueden requerir una manipulación especial de eliminación para evitar la contaminación biológica.

#### CONTRAINDICACIONES

El uso del IFS AirSeal está contraindicado cuando están contraindicadas las técnicas endoscópicas mínimamente invasivas.

**IMPORTANTE:** Este prospecto está diseñado para proporcionar instrucciones de uso. No es una referencia ni una guía sobre técnicas de inserción de trocares. El uso correcto de un trocar con punta óptica sin cuchilla como puerto principal tras la insuflación depende de que se reconozca y se diferencie entre las capas de tejido. Por consiguiente, los nuevos usuarios deben utilizar trocares con punta óptica como puerto secundario tras la insuflación para adquirir experiencia y competencia con los procedimientos en la visualización de las capas de tejido. Solo después de haber adquirido experiencia con la técnica anterior deben utilizarse los trocares con punta óptica como puerto principal tras la insuflación.

**Nota:** Inspeccione visualmente los sistemas de barrera estéril para detectar cualquier problema de integridad del paquete que pueda afectar a la esterilidad antes de la presentación aséptica. Si encuentra alguna rotura en el sistema de barrera estéril, no lo utilice.

## INSTRUCCIONES DE USO

### Instrucciones generales para el uso del puerto de acceso AirSeal en modo AirSeal:

**Nota:** Consulte las Instrucciones de uso del IFS para conocer las características asociadas a las revisiones específicas del software.

1. Encienda el AirSeal IFS pulsando el interruptor ON/OFF (ENCENDIDO/APAGADO) (Fig. 1, A).
2. La palanca del AirSeal IFS debe estar hacia arriba o en la posición UNLOCK (DESBLOQUEO) (Fig. 1, D).
3. Deje que concluya la autocomprobación inicial antes de insertar el conjunto de tubos con filtro para tres luces.
4. Emplee una técnica estéril para extraer el conjunto de tubos para tres luces del paquete. Para evitar daños, no voltee el instrumento en el campo estéril.
5. Inserte la carcasa del filtro del conjunto de tubos para tres luces en el conector del conjunto de tubos situado en la parte delantera del AirSeal IFS (Fig. 1, C).
6. Empuje la palanca hacia abajo a la posición LOCK (BLOQUEO) (Fig. 9) y el modo AirSeal se iniciará automáticamente.  
**Nota:** Si el modo AirSeal Pediatric (Pediátrico AirSeal) está activado, se le pedirá que seleccione el modo Adult AirSeal (Adulto AirSeal) o AirSeal Pediatric (Pediátrico AirSeal). Consulte las Instrucciones de uso del AirSeal IFS para conocer los detalles del modo AirSeal Pediatric (Pediátrico AirSeal).
7. Verifique en la pantalla táctil del AirSeal IFS que haya un nivel de suministro de gas suficiente (Fig. 1, B).
8. Seleccione los ajustes de flujo y presión deseados para el paciente. Pulse "Confirm" (Confirmar) para confirmar los ajustes del paciente.

**Consulte más instrucciones a continuación sobre el acceso a través de la aguja de Veress con el puerto de acceso con punta óptica sin cuchilla. Esta técnica no se utiliza para el acceso al abdomen con punta roma (tipo Hasson). Si no se utiliza la técnica de acceso con agujas de Veress, siga con el paso 9.**

- El adaptador para una única luz está preconectado con el conjunto de tubos con filtro para tres luces con filtro de carbón activado.
- Conecte el adaptador para una única luz al puerto luer de la aguja de Veress e introdúzcala según las instrucciones del fabricante.
- Ajuste los valores de flujo y presión deseados en la pantalla táctil del AirSeal IFS.
- Pulse "Start" (Iniciar) en la pantalla táctil del AirSeal IFS, y comenzará la insuflación inicial.
- Después de lograr la insuflación inicial, separe el conjunto de tubos con filtro para tres luces con filtro de carbón activado del adaptador para una única luz.
- Retire la aguja de Veress.

**Si el puerto de acceso AirSeal no es el primer trocar que se coloca, mantenga el adaptador para una única luz conectado al conjunto de tubos con filtro para tres luces con filtro de carbón activado, y haga la transición del adaptador para una única luz al puerto luer del primer trocar convencional colocado. Retire únicamente el adaptador para una única luz una vez que se haya insertado el puerto de acceso AirSeal.**

9. Mediante una técnica estéril, retire el puerto de acceso AirSeal y la tapa silenciadora opcional (8 mm, 12 mm) del envase. Para evitar daños, no voltee el instrumento en el campo estéril.
10. El puerto de acceso AirSeal (obturador y cánula) viene empaquetado y premontado, por lo tanto, no es necesario montarlos. Nota: Si el puerto de acceso requiere montaje, inserte el obturador dentro de la cánula hasta que se traben bien.
11. Asegúrese de que el obturador y la cánula estén correctamente montados. **Nota:** Si utiliza el puerto de acceso con punta roma, asegúrese de que el anclaje de sutura también se encuentre en su lugar (Fig. 4, D).
12. Cree una incisión usando procedimientos quirúrgicos estándares. (Nota: La incisión debe alojar el diámetro de la cánula. Una incisión incorrecta puede causar una mayor resistencia a la inserción y aumentar, así, la fuerza de penetración necesaria y posiblemente provocar una pérdida de control durante la entrada).

***El puerto de acceso montado está listo para insertarse. Si utiliza el puerto de acceso con punta roma, emplee la técnica laparoscópica apropiada (entrada de tipo Hasson).***

13. Introduzca el conjunto del puerto de acceso a través de la incisión en la piel con un movimiento de rotación de 30° a 90°. Aplique una presión continua pero controlada hacia abajo en el asa.
14. Asegúrese de que el puerto de acceso esté correctamente insertado. No retire el obturador de la cánula en este momento. **Nota:** Si se utiliza el puerto de acceso con punta roma, el anclaje de sutura debe fijarse al abdomen del paciente con sutura de la manera habitual.
15. Asegúrese de que la línea negra en el extremo distal del puerto de acceso AirSeal sea visible dentro de la cavidad en todo momento en que se esté utilizando el puerto de acceso AirSeal para la insuflación.
16. Retire el conector múltiple del lado de la cánula en el puerto de acceso AirSeal y conecte el extremo distal del conjunto de tubos con filtro para tres luces con filtro de carbón activado al conector múltiple de la cánula y aprételo.  
**Nota:** Si el conjunto de tubos AirSeal y el puerto de acceso no están bien apretados, es posible que la lectura de presión del dispositivo no refleje la presión experimentada por el paciente. Una conexión segura puede confirmarse visualmente cuando una de las aletas blancas del conector de ojo de buey del conjunto de tubos se alinea directamente con la parte superior del puerto de acceso (Fig. 15). Mirando directamente al ojo de buey del puerto de acceso mientras el conjunto de tubos está conectado, una de las aletas de la pieza de conexión del conjunto de tubos debe quedar directamente vertical al puerto de acceso (Fig. 16).
17. AirSeal se activará automáticamente. Deje el obturador en su lugar hasta que suene un tono acústico y el mensaje "AirSeal active" (AirSeal activo) aparecerá en verde.
18. Retire el obturador de la cánula apretando los botones de cierre del obturador para desbloquear los dos dispositivos. **Nota:** El puerto de acceso con punta roma no dispone de botones de cierre, por lo que se puede retirar tirando del obturador en línea recta para quitarlo de la cánula.
19. Una vez que el modo AirSeal esté activo y se haya retirado el obturador de la cánula AirSeal, el nivel de flujo será automático. **Nota:** El nivel de aspiración de humos puede establecerse en un ajuste alto o bajo.
20. Si lo desea, se puede colocar la tapa silenciadora opcional (8 mm, 12 mm) en este momento. (**Nota:** Si usa una tapa silenciadora opcional, tenga cuidado al insertar un dispositivo afilado o grande a través de la cánula. La tapa silenciadora opcional se puede quitar de la cánula en cualquier momento durante el procedimiento, y será necesario quitarla para introducir objetos afilados o grandes en la cánula).
21. Al finalizar el procedimiento, pulse **STOP** (DETENER) en la pantalla táctil para detener la insuflación de AirSeal (**Nota:** Esto provocará la pérdida de neumo-peritoneo). Con la técnica laparoscópica estándar, retire todos los dispositivos quirúrgicos y cierre los lugares de los puertos correspondientes de la manera habitual. **Nota:** Cuando finalice la intervención, el modo AirSeal se someterá a una calibración final antes de la parada. Durante este procedimiento no se generará presión ni se realizará una insuflación. Espere a que se complete la calibración final antes de retirar el conjunto de tubos con filtro para tres luces con filtro de carbón activado o de apagar el IFS.
22. Mueva la palanca del AirSeal IFS hacia arriba o a la posición UNLOCK (DESBLOQUEO).
23. Retire el conjunto de tubos con filtro para tres luces con filtro de carbón activado del conector del conjunto de tubos AirSeal IFS.
24. Dado que la prueba funcional se realiza durante la puesta en marcha inicial, la unidad deberá apagarse y volverse a encender antes de cada intervención quirúrgica.

**Consulte más instrucciones a continuación sobre la inserción del puerto de acceso con punta óptica sin cuchilla mediante el uso de un endoscopio.**

**Nota:** Consulte las Instrucciones de uso del IFS para conocer las características asociadas a las revisiones específicas del software.

1. Conecte el endoscopio de 0° a la fuente de luz y al monitor (consulte las instrucciones del fabricante). Compruebe que el endoscopio esté bien conectado y que la imagen del monitor se vea clara.
2. Introduzca el endoscopio por la abertura del extremo proximal del asa del puerto de acceso con punta óptica sin cuchilla, hasta que alcance el extremo distal del puerto de acceso. (Inserción del endoscopio; Fig. 12).
3. Gire el endoscopio como desee. (Inserción del endoscopio; Fig. 13).
4. Para proporcionar una imagen clara en el monitor, inserte el endoscopio en el asa del puerto de acceso con punta óptica sin cuchilla, toque la punta óptica en una superficie suave y adecuada y enfoque la cámara.
5. Cree una incisión usando procedimientos quirúrgicos estándares. (**Nota:** La incisión debe alojar el diámetro de la cánula. Una incisión incorrecta puede causar una mayor resistencia a la inserción y aumentar, así, la fuerza de penetración necesaria y posiblemente provocar una pérdida de control durante la

- entrada). Introduzca el conjunto del puerto de acceso a través de la incisión en la piel con un movimiento de rotación de 30° a 90°. Aplique una presión continua pero controlada hacia abajo en el asa.
6. Durante la inserción del puerto de acceso, visualice la penetración del puerto de acceso a través del plano individual del tejido utilizando el laparoscopia. A medida que avanza el puerto de acceso, puede ir viendo cada capa de tejido.
  7. Retire el laparoscopia del puerto de acceso con punta óptica sin cuchilla (extracción del endoscopia; Fig. 14).
  8. Continúe el procedimiento de acuerdo con las instrucciones anteriores, comenzando por el paso 13.

## INSTRUCCIONES DE USO

### Instrucciones para el uso del puerto de acceso AirSeal en modo AirSeal en aplicaciones transanales:

**Nota:** Consulte las Instrucciones de uso del iFS para conocer las características asociadas a las revisiones específicas del software.

1. Encienda el AirSeal iFS pulsando el interruptor ON/OFF (ENCENDIDO/APAGADO) (Fig. 1, A).
2. La palanca del AirSeal iFS debe estar hacia arriba o en la posición UNLOCK (DESBLOQUEO) (Fig. 1, D).
3. Deje que concluya la autocomprobación inicial antes de insertar el conjunto de tubos con filtro para tres luces.
4. Emplee una técnica estéril para extraer el conjunto de tubos para tres luces del paquete. Para evitar daños, no toque el instrumento en el campo estéril.
5. Inserte la carcasa del filtro del conjunto de tubos para tres luces en el conector del conjunto de tubos situado en la parte delantera del AirSeal iFS (Fig. 1, C).
6. Empuje la palanca hacia abajo a la posición LOCK (BLOQUEO) (Fig. 9) y el modo AirSeal se iniciará automáticamente.  
**Nota:** Si el modo AirSeal Pediatric (Pediatría AirSeal) está activado, se le pedirá que seleccione el modo Adult AirSeal (Adulto AirSeal) o AirSeal Pediatric (Pediatría AirSeal). Consulte las Instrucciones de uso del AirSeal iFS para conocer los detalles del modo AirSeal Pediatric (Pediatría AirSeal).
7. Verifique en la pantalla táctil del AirSeal iFS que haya un nivel de suministro de gas suficiente (Fig. 1, B).
8. Seleccione los ajustes de flujo y presión deseados para el paciente. Pulse "Confirm" (Confirmar) para confirmar los ajustes del paciente.
9. Mediante una técnica estéril, retire el puerto de acceso AirSeal y la tapa silenciadora opcional (8 mm, 12 mm) del envase. Para evitar daños, no toque el instrumento en el campo estéril.
10. El puerto de acceso AirSeal (obturador y cánula) viene empacotado y premontado, por lo tanto, no es necesario montarlos.  
**Nota:** Si el puerto de acceso requiere montaje, inserte el obturador dentro de la cánula hasta que se traben bien.
11. Asegúrese de que el obturador y la cánula estén correctamente montados.
12. Siga las instrucciones de uso proporcionadas por el fabricante del dispositivo de plataforma de acceso transanal elegido para su colocación en el recto.
13. Inserte el puerto de acceso en el dispositivo de plataforma de acceso transanal a través de la posición correcta de la luz o la cánula. Al insertar el puerto de acceso en el dispositivo de plataforma de acceso transanal, introdúzcalo mediante un movimiento de rotación de 30° a 90°. Aplique una presión axial continua pero controlada en el puerto de acceso hasta que esté seguro en el dispositivo de plataforma de acceso transanal.
14. Asegúrese de que el obturador y la cánula estén correctamente insertados. No retire el obturador del conjunto de la cánula en este momento.
15. Retire el conector múltiple del lado de la cánula en el puerto de acceso AirSeal y conecte el extremo distal del conjunto de tubos con filtro para tres luces con filtro de carbón activado al conector múltiple de la cánula y apriételo.  
**Nota:** Si el conjunto de tubos AirSeal y el puerto de acceso no están bien apretados, es posible que la lectura de presión del dispositivo no refleje la presión experimentada por el paciente. Una conexión segura puede confirmarse visualmente cuando una de las aletas blancas del conector de ojo de buey del conjunto de tubos se alinea directamente con la parte superior del puerto de acceso (Fig. 15). Mirando directamente al ojo de buey del puerto de acceso mientras el conjunto de tubos está conectado, una de las aletas de la pieza de conexión del conjunto de tubos debe quedar directamente vertical al puerto de acceso (Fig. 16).
16. AirSeal se activará automáticamente. Deje el obturador en su lugar hasta que suene un tono acústico y el mensaje "AirSeal active" (AirSeal activo) aparecerá en verde.
17. Retire el obturador de la cánula apretando los botones de cierre del obturador para desbloquear los dos dispositivos.
18. Una vez que el modo AirSeal esté activo y se haya retirado el obturador de la cánula AirSeal, el nivel de flujo será automático.  
**Nota:** El nivel de aspiración de humos puede establecerse en un ajuste alto o bajo.
19. Si lo desea, se puede colocar la tapa silenciadora opcional (8 mm, 12 mm) en este momento. (**Nota:** Si usa una tapa silenciadora opcional, tenga cuidado al insertar un dispositivo afilado o grande a través de la cánula. La tapa silenciadora opcional se puede quitar de la cánula en cualquier momento durante el procedimiento, y será necesario quitarla para introducir un objeto afilado o de gran tamaño en la cánula).
20. Al finalizar el procedimiento, pulse **STOP** (DETENER) en la pantalla táctil para detener la insuflación de AirSeal (**Nota:** esto provocará la pérdida de neumoperitoneo). Con la técnica laparoscópica estándar, retire todos los dispositivos quirúrgicos y cierre los lugares de los puertos correspondientes de la manera habitual.  
**Nota:** Cuando finalice la intervención, el modo AirSeal se someterá a una calibración final antes de la parada. Durante este procedimiento no se generará presión ni se realizará una insuflación. Espere a que se complete la calibración final antes de retirar el conjunto de tubos con filtro para tres luces con filtro de carbón activado o de apagar el iFS.
21. Mueva la palanca del AirSeal iFS hacia arriba o a la posición UNLOCK (DESBLOQUEO).
22. Retire el conjunto de tubos con filtro para tres luces con filtro de carbón activado del conector del conjunto de tubos AirSeal iFS.
23. Dado que la prueba funcional se realiza durante la puesta en marcha inicial, la unidad deberá apagarse y volverse a encender antes de cada intervención quirúrgica.

### Instrucciones generales de uso en los modos Smoke Evacuation (Aspiración de humos) y Standard Insufflation (Insuflación estándar):

#### PRIMERA INSUFLACIÓN CON AGUJA DE VERESS

**Nota:** Consulte las Instrucciones de uso del iFS para conocer las características asociadas a las revisiones específicas del software.

1. Encienda el AirSeal iFS pulsando el interruptor ON/OFF (ENCENDIDO/APAGADO) (Fig. 1, A).
2. Al finalizar la autocomprobación de diagnóstico, seleccione el Modo Smoke Evacuation (Aspiración de humos) o el Modo Standard Insufflation (Insuflación estándar) en la pantalla táctil, en la lista de selección de modos del AirSeal iFS (Fig. 1, B).
3. Verifique en la pantalla táctil del AirSeal iFS que haya un nivel de suministro de gas suficiente (Fig. 1, B).
4. Conecte el conjunto de tubos adecuado al AirSeal iFS (consulte las instrucciones específicas a continuación para conectar el conjunto de tubos para aspiración de humos bifurcados con filtro de carbón activado).  
**Nota:** A diferencia de los otros conjuntos de tubos, el conjunto de tubos para una única luz se conecta al poste de conexión del tubo de insuflación en la parte delantera del AirSeal iFS.
5. Conecte el conector Luer-Lock del conjunto de tubos al extremo de una aguja de Veress o un trocar convencional de la manera habitual. (Consulte las instrucciones específicas a continuación para conectar el conjunto de tubos para aspiración de humos bifurcados con filtro de carbón activado).
6. Ajuste los valores de flujo y presión deseados en la pantalla táctil del AirSeal iFS. Pulse "Confirm" (Confirmar) para confirmar los ajustes del paciente.
7. Pulse "Start" (Iniciar) en la pantalla táctil del AirSeal iFS, y comenzará la insuflación inicial.
8. Después de lograr la insuflación inicial, **inserte el trocar convencional con puertos luer estándar.**
9. Al finalizar el procedimiento, pulse **STOP** (DETENER) en la pantalla táctil para detener la insuflación (**Nota:** esto provocará la pérdida de neumoperitoneo). Con la técnica laparoscópica estándar, retire todos los dispositivos quirúrgicos y cierre los lugares de los puertos correspondientes de la manera habitual.
10. Retire el conjunto de tubos del AirSeal iFS (consulte las instrucciones específicas a continuación para retirar el conjunto de tubos para aspiración de humos bifurcados con filtro de carbón activado).
11. Dado que la prueba funcional se realiza durante la puesta en marcha inicial, la unidad deberá apagarse y volverse a encender antes de cada intervención quirúrgica.

### Consulte instrucciones adicionales a continuación referentes al conjunto de tubos para aspiración de humos bifurcados con filtro de carbón activado

Para su uso con dos trocacos convencionales con puertos luer estándar y el conjunto de tubos para aspiración de humos bifurcados con filtro de carbón activado.

Tubo transparente: Insuflación

Tubo azul: Smoke Evacuation (Aspiración de humos)

### Conexión del conjunto de tubos para aspiración de humos bifurcados con filtro de carbón activado

**Nota: Consulte las Instrucciones de uso del IFS para conocer las características asociadas a las revisiones específicas del software.**

1. La palanca del AirSeal IFS debe estar hacia arriba o en la posición UNLOCK (DES Bloqueado) (Fig. 1, D).
2. Inserte la carcasa del filtro del conjunto de tubos para aspiración de humos bifurcados en el conector del conjunto de tubos situado en la parte delantera del AirSeal IFS (Fig. 1, C).
3. Empuje hacia abajo la palanca hasta la posición LOCK (Bloqueado).
4. Conecte la aguja de Veress al conector Luer-Lock del tubo transparente del conjunto de tubos para aspiración de humos bifurcados con filtro de carbón activado.
5. Ajuste los valores de flujo y presión deseados en la pantalla táctil del AirSeal IFS. Pulse "Confirm" (Confirmar) para confirmar los ajustes del paciente.
6. Pulse "Start" (Iniciar) en la pantalla táctil del AirSeal IFS, y comenzará la insuflación inicial.
7. Asegúrese de que las cánulas estén correctamente insertadas.
8. Retire la aguja de Veress y desconéctela del conjunto de tubos para aspiración de humos bifurcados con filtro de carbón activado.
9. Conecte el conector Luer-Lock del tubo **TRANSPARENTE** del conjunto de tubos para aspiración de humos bifurcados con filtro de carbón activado a la cánula convencional. Abra el grifo de entrada de flujo/llave de paso.
10. Siga las indicaciones de la pantalla táctil del AirSeal IFS. Cuando se le indique, conecte el conector Luer-Lock del tubo **AZUL** del conjunto de tubos para aspiración de humos bifurcados con filtro de carbón activado a una cánula convencional distinta. La insuflación sigue activa.
11. Cuando el Luer-Lock del conector del tubo **AZUL** del conjunto de tubos para aspiración de humos bifurcados con filtro de carbón activado esté conectado a la segunda cánula convencional, se activará la aspiración de humos.

**INCIDENTES GRAVES:** Ante cualquier incidente grave durante el uso de este dispositivo, informe inmediatamente al Departamento de Servicio de Atención al Cliente de CONMED o al representante local de CONMED. Correo electrónico: CustomerExperience@CONMED.com

### Retirada del conjunto de tubos para aspiración de humos bifurcados con filtro de carbón activado

**Nota: Consulte las Instrucciones de uso del IFS para conocer las características asociadas a las revisiones específicas del software.**

1. Al finalizar el procedimiento, pulse **STOP** (DETENER) en la pantalla táctil para detener la insuflación (**Nota:** esto provocará la pérdida de neumoperitoneo). Con la técnica laparoscópica estándar, retire todos los dispositivos quirúrgicos y cierre los lugares de los puertos correspondientes de la manera habitual.
2. Mueva la palanca del AirSeal IFS hacia arriba o a la posición UNLOCK (DES Bloqueado).
3. Retire el conjunto de tubos para aspiración de humos bifurcados con filtro de carbón activado del conector del conjunto de tubos AirSeal IFS.
4. Dado que la prueba funcional se realiza durante la puesta en marcha inicial, la unidad deberá apagarse y volverse a encender antes de cada intervención quirúrgica.

### ELIMINACIÓN

Elimine el dispositivo de acuerdo con los requisitos locales del hospital.

### PRESENTACIÓN

Cada uno de los puertos de acceso óptico AirSeal, el puerto de acceso de perfil bajo AirSeal, la tapa silenciadora opcional (8 mm, 12 mm), el puerto de acceso con punta roma AirSeal, la cánula AirSeal, el conjunto de tubos bifurcados para evacuación de humos con filtro de carbón activado, el conjunto de tubos con filtro para tres luces con filtro de carbón activado, el conjunto de tubos para una única luz y el adaptador para una luz AirSeal se entregan esterilizados con radiación gamma, para uso de un solo paciente. Deseche estos productos después de su uso. Los puertos de acceso, las tapas silenciadoras y los conjuntos de tubos AirSeal no están hechos con látex de caucho natural.

El AirSeal IFS no es estéril y es reutilizable.

AirSeal® es una marca comercial registrada de CONMED Corporation.

**Rx ONLY** ATENCIÓN: La ley federal (Estados Unidos) restringe la venta de este dispositivo únicamente a médicos o bajo prescripción facultativa.

## GREEK

### AirSeal® IFS

Θύρα πρόσβασης AirSeal®

Οπτικό τραυματικό άκρο, οπτικό ατραυματικό άκρο χαμηλού προφίλ, οπτικό ατραυματικό άκρο Palm Grip και θύρες πρόσβασης με αμβλύ άκρο

Σετ σωλήνων με φίλτρο AirSeal®

Σετ σωλήνων τριπλού αυλού με φίλτρο ενεργού άνθρακα, Διαγαλιωτά σετ σωλήνων εκκένωσης καπνού με φίλτρο ενεργού άνθρακα, Σετ σωλήνων μονού αυλού με φίλτρο

### Σχηματική προβολή: Απεικόνιση και Ονοματολογία

<p><b>AirSeal IFS (Εικ. 1)</b></p> <p>A. Διακόπτης ON/OFF (ΕΝΕΡΓΟΠΟΙΗΣΗΣ/ΑΠΕΝΕΡΓΟΠΟΙΗΣΗΣ)</p> <p>B. Θόβη αψής</p> <p>C. Υποδοχή για τρόπους λειτουργίας AirSeal και Εκκένωσης καπνού</p> <p>D. Μοχλός για την ασφάλιση του σετ σωλήνων στη θέση του</p> <p>E. Σύνδεση σωλήνα εμφύσησης για τον τρόπο λειτουργίας Τυπικής εμφύσησης</p> <p><b>Ατραυματικές θύρες πρόσβασης (Εικ. 2/3)</b></p> <p>A. Βύσμα σύνδεσης</p> <p>B. Κάνουλα</p> <p>C. Αποφρακτήρας με οπτικό ατραυματικό άκρο</p> <p>D. Κλείστρο ασφάλισης κάνουλας</p> <p><b>Θύρες πρόσβασης με αμβλύ άκρο (Εικ. 4)</b></p> <p>A. Βύσμα σύνδεσης</p> <p>B. Κάνουλα</p> <p>C. Αποφρακτήρας με αμβλύ άκρο</p> <p>D. Ελαστικωτό άγκιστρο — Συσκευχή άγκιστρου ραμμάτων</p> <p><b>Προαιρετικό ηχητικό κάλυμμα (Εικ. 5)</b></p>	<p><b>Σετ σωλήνων (Εικ. 6/7/8)</b></p> <p>A. Φίλτρο</p> <p>B. Σωλήνας 8–10 ft (2,4–3 m)</p> <p>C. Εξάρτημα Luer Lock</p> <p>D. Διάταξη προσαρμογέα μονού αυλού</p> <p>E. Θέση αντίχειρα</p> <p><b>Λειτουργία AirSeal (Εικ. 9)</b></p> <p><b>Λειτουργία Εκκένωσης καπνού (Εικ. 10)</b></p> <p><b>Λειτουργία Τυπικής εμφύσησης (Εικ. 11)</b></p> <p><b>Εισαγωγή ενδοσκοπίου (Εικ. 12)</b></p> <p>A. Θύρα πρόσβασης AirSeal</p> <p>B. Κατάλληλο μεγέθους ενδοσκόπιο</p> <p><b>Εισαγωγή ενδοσκοπίου (Εικ. 13)</b></p> <p>A. Η περιστροφική κίνηση κατά τη διάρκεια της εισαγωγής μετράζει τη δύναμη εισαγωγής</p> <p><b>Αφαίρεση ενδοσκοπίου (Εικ. 14)</b></p> <p>A. Ανάκληση ενδοσκοπίου</p> <p>B. Πιέστε εδώ για την απελευθέρωση της κάνουλας</p> <p><b>Επάνω όψη της θύρας πρόσβασης AirSeal με σωστή σύνδεση στο σετ σωλήνων AirSeal (Εικ. 15)</b></p> <p>A. Πτερύγιο συνδετήρα κεντρικού σημείου των σετ σωλήνων</p> <p><b>Μπροστινή όψη της θύρας πρόσβασης AirSeal με σωστή σύνδεση στο σετ σωλήνων AirSeal (Εικ. 16)</b></p> <p>A. Πτερύγιο συνδετήρα κεντρικού σημείου των σετ σωλήνων</p>
---	--

### ΣΗΜΑΝΤΙΚΟ! ΠΡΙΝ ΑΠΟ ΤΗ ΧΡΗΣΗ ΤΟΥ ΠΡΟΪΟΝΤΟΣ, ΔΙΑΒΑΣΤΕ ΠΡΟΣΕΚΤΙΚΑ ΤΙΣ ΠΑΡΑΚΑΤΩ ΠΛΗΡΟΦΟΡΙΕΣ.

Το φυλλάδιο αυτό έχει σχεδιαστεί για να βοηθήσει στη χρήση του παρόντος προϊόντος. Δεν αποτελεί αναφορά σε χειρουργικές τεχνικές. Επιπλέον, ανατρέξτε στις Οδηγίες χρήσης του AirSeal IFS για πλήρεις οδηγίες σχετικά με το AirSeal IFS και όλους τους τρόπους λειτουργίας.

### ΟΔΗΓΙΕΣ ΧΡΗΣΗΣ:

Το Σύστημα AirSeal® IFS της CONMED προορίζεται για χρήση σε διαγνωστικές ή/και θεραπευτικές ενδοσκοπικές διαδικασίες για να διαστηθεί μια κοιλότητα με την πλήρωση της με αέριο, προκειμένου να δημιουργηθεί και να διατηρηθεί μια απρόσκοπτη, αεροστεγή διόδος εισόδου για τα ενδοσκοπικά εργαλεία και να εκκενωθεί τον χειρουργικό καπνό. Ενδείκνυται για χρήση σε κοιλιακές και θωρακικές διαδικασίες, καθώς και σε παιδιατρικές διαδικασίες στις οποίες είναι επιθυμητή η διενέργεια εμφύσησης, για να επιτρέπει τη χρήση πολλαπλών θωρακοσκοπικών και λαπαροσκοπικών οργάνων με την πλήρωση της κοιλιακής ή θωρακικής

κολύπητας με αέριο ώστε να τη διατεθεί, με τη δημιουργία και διατήρηση μιας απρόσκοπτης, αεροστεγούς πρόσβασης για τα όργανα και με την εκκένωση χειρουργικού καπνού. Το όργανο αυτό μπορεί επίσης να χρησιμοποιηθεί για τη διενέργεια διαγνωστικών και θεραπευτικών διαδικασιών μέσω της διαστολής του ορθού και του κόλπου για ενδοσκοπική παρακολούθηση. Το τροκάρ του συστήματος AirSeal™ IFS προορίζεται για χρήση με ή χωρίς οπτική απεικόνιση.

#### **To AirSeal IFS έχει τρεις τρόπους λειτουργίας:**

- 1. Λειτουργία AirSeal (Εικ. 9)**
- 2. Λειτουργία Εκκένωσης καπνού (Εικ. 10)**
- 3. Λειτουργία Τυπικής εμφύσησης (Εικ. 11)**

#### **Λειτουργία AirSeal:**

Όταν χρησιμοποιείται στον τρόπο λειτουργίας AirSeal, το σύστημα AirSeal IFS έχει σχεδιαστεί ώστε να χορηγεί αέριο CO<sub>2</sub> με σταθερό πνευμοπερίτοναιο και συνεχή εκκένωση καπνού κατά τη διάρκεια λαπαροενδοσκοπικών χειρουργικών επεμβάσεων και απαιτεί τη χρήση του συστήματος AirSeal IFS, της θύρας πρόσβασης AirSeal και του σετ σωλήνων τριπλού αυλού με φίλτρο ενεργού άνθρακα. Το σετ σωλήνων τριπλού αυλού με φίλτρο ενεργού άνθρακα χρησιμοποιείται για τη σύνδεση της θύρας πρόσβασης AirSeal στο σύστημα AirSeal IFS (Εικ. 9).

#### **Λειτουργία Εκκένωσης καπνού:**

Όταν χρησιμοποιείται στον τρόπο λειτουργίας Εκκένωσης καπνού, το σύστημα AirSeal IFS έχει σχεδιαστεί ώστε να χορηγεί αέριο CO<sub>2</sub> και συνεχή εκκένωση καπνού κατά τη διάρκεια λαπαροενδοσκοπικών χειρουργικών επεμβάσεων και απαιτεί τη χρήση του συστήματος AirSeal IFS, δύο συμβατικών τροκάρ (όχι AirSeal) με τυπικές θύρες Luer και του διχλωλωτού σετ σωλήνων εκκένωσης καπνού με φίλτρο ενεργού άνθρακα. Τα δύο συμβατικά τροκάρ χρησιμοποιούνται για τη σύνδεση του διχλωλωτού σετ σωλήνων με φίλτρο ενεργού άνθρακα για τη χορήγηση αερίου CO<sub>2</sub>, μαζί με μια οδό εκκένωσης καπνού. Το διχλωλωτό σετ σωλήνων εκκένωσης καπνού με φίλτρο ενεργού άνθρακα είναι διχλωλωτό και συνδέει τα δύο συμβατικά τροκάρ με το AirSeal IFS (Εικ. 10).

#### **Λειτουργία Τυπικής εμφύσησης:**

Όταν χρησιμοποιείται στον τρόπο λειτουργίας Τυπικής εμφύσησης, το σύστημα AirSeal IFS έχει σχεδιαστεί ώστε να χορηγεί αέριο CO<sub>2</sub> και Τυπική εμφύσηση κατά τη διάρκεια λαπαροενδοσκοπικών χειρουργικών επεμβάσεων με τρόπο ίδιο με αυτόν των συμβατικών εμφυσητήρων και απαιτεί τη χρήση του συστήματος AirSeal IFS, ενός συμβατικού (όχι AirSeal) τροκάρ με τυπική θύρα Luer και του σετ σωλήνων μονού αυλού με φίλτρο. Η θύρα Luer επί του τροκάρ συνδέεται με το σετ σωλήνων μονού αυλού με φίλτρο για την παροχή τυπικής εμφύσησης και χορήγησης αερίου CO<sub>2</sub>. Το σετ σωλήνων μονού αυλού με φίλτρο συνδέει ένα συμβατικό τροκάρ με το σύστημα AirSeal IFS (Εικ. 11).

#### **Η θύρα πρόσβασης του AirSeal έχει δύο διαθέσιμες ρυθμίσεις:**

- 1. Θύρα πρόσβασης με ατραυματικό οπτικό άκρο (Εικ. 2 & 3)**
- 2. Θύρα πρόσβασης με αμβλύ άκρο (Εικ. 4)**

Εάν οποιαδήποτε από τις θύρες πρόσβασης με ατραυματικό, οπτικό άκρο χρησιμοποιείται για την κύρια είσοδο, συνιστάται η χρήση λαπαροσκοπίου για την παροχή οπτικής απεικόνισης, προκειμένου να ενισχυθεί η ασφαλής κολιακή είσοδος.

#### **Τα σετ σωλήνων AirSeal έχουν τρεις διαθέσιμες ρυθμίσεις:**

- 1. Σετ σωλήνων τριπλού αυλού με φίλτρο ενεργού άνθρακα (Εικ. 6)**
- 2. Διχλωλωτό σετ σωλήνων εκκένωσης καπνού με φίλτρο ενεργού άνθρακα (Εικ. 7)**
- 3. Σετ σωλήνων μονού αυλού με φίλτρο (Εικ. 8)**

Διασφαλίστε ότι χρησιμοποιείται το κατάλληλο σετ σωλήνων με βάση τον επιλεγμένο τρόπο λειτουργίας στο σύστημα AirSeal IFS. Αν εισαχθεί λάθος σετ σωλήνων, ο επιλεγμένος τρόπος χρήσης στο σύστημα AirSeal IFS δεν θα προχωρήσει και θα εμφανιστεί ένα προειδοποιητικό μήνυμα.

Τα σετ σωλήνων με φίλτρο δεν έχουν σχεδιαστεί για να δέχονται υγρό. Εάν εισέλθει υγρό στο φίλτρο, στην οθόνη αφής του AirSeal IFS θα εμφανιστεί ένα προειδοποιητικό μήνυμα. Αν συμβεί αυτό, ελέγξτε την τοποθέτηση της κάνουλας και ετοιμαστείτε να αλλάξετε το σετ σωλήνων.

#### **ΠΡΟΕΙΔΟΠΟΙΗΣΕΙΣ:**

- Η μη ορθή τήρηση των οδηγιών χρήσης ενδέχεται να οδηγήσει σε σοβαρές χειρουργικές συνέπειες.
- Μόνο ειδικευμένοι ιατροί με γνώσεις, εμπειρία και κατάρτιση σε λαπαροσκοπικές τεχνικές θα πρέπει να χρησιμοποιούν τα εξαρτήματα του συστήματος AirSeal.
- Αυτές οι οδηγίες χρήσης δεν περιλαμβάνουν περιγραφές ή οδηγίες για χειρουργικές τεχνικές ή λαπαροσκοπικές επεμβάσεις. Αποτελεί ευθύνη του ιατρού που εκτελεί οποιαδήποτε επέμβαση να καθορίσει την καταλληλότητα του τύπου της επέμβασης που πρέπει να εκτελεστεί με τη χρήση των προϊόντων αυτών και να προσδιορίσει την ειδική τεχνική για τον κάθε ασθενή.
- Τα περιεχόμενα εξαρτήματα του συστήματος AirSeal είναι αποστειρωμένα μόνο εάν χρησιμοποιηθούν πριν από την ημερομηνία λήξης και εάν η σουκεασία είναι κλειστή και δεν έχει υποστεί ζημιά. ΜΗΝ το χρησιμοποιείτε μετά την ημερομηνία λήξης ή εάν η σουκεασία έχει ανοιχθεί ή έχει καταστραφεί.
- Όλες οι σουκεές μίας χρήσης του συστήματος AirSeal (θύρες πρόσβασης και Σετ πρόσβασης) είναι αποστειρωμένες και αποστειρωμένες για χρήση σε έναν μόνο ασθενή. Μην επαναχρησιμοποιείτε, επανεπεξεργάζεστε ή επαναποστειρώνετε. Η επαναληπτική χρήση, η επανεπεξεργασία ή επαναποστείρωση ενδέχεται να θέσουν σε κίνδυνο τη δομική ακεραιότητα της σουκεκής και/ή να οδηγήσουν σε αποτυχία της σουκεκής, η οποία με τη σειρά της μπορεί να προκαλέσει τραυματισμό στον ασθενή, ασθένεια ή θάνατο. Επίσης, η επανεπεξεργασία ή επαναποστείρωση σουκεκών μιας χρήσεως ενδέχεται να δημιουργήσει κίνδυνο μόλυνσης ή/και να προκαλέσει μόλυνση στον ασθενή ή διασταυρούμενη λοίμωξη, συμπεριλαμβανομένης, αλλά χωρίς περιορισμό, της μετάδοσης μολυσματικών ασθενειών από έναν ασθενή σε έναν άλλο. Η μόλυνση της σουκεκής μπορεί να οδηγήσει σε τραυματισμό, ασθένεια ή θάνατο του ασθενή.
- Μην βυθίζετε το άκρο της κάνουλας σε αντλούμενα υγρά ή σε ωματικά υγρά.
- Ο συναγερμός του AirSeal IFS ενεργοποιείται εάν οι πνευρικοί αεραγωγοί ή οι αεραγωγοί στο κάτω μέρος της κοιλότητας ελέγχου είναι μπλοκαρισμένοι. Εάν ενεργοποιηθεί ο συναγερμός, ελέγξτε την πιθανότητα ύπαρξης φραγής στους αεραγωγούς.
- Εάν οι παραπάνω συνθήκες ΔΕΝ υφίστανται και ο συναγερμός εξακολουθεί να ηχεί, διακόψτε τη χρήση του AirSeal IFS και επιστρέψτε το στον κατασκευαστή για επίσκεψη.

#### **ΠΡΟΦΥΛΑΞΕΙΣ:**

- Η δημιουργία πνευμοπερίτοναιου έχει γνωστές φυσιολογικές παρενέργειες, συμπεριλαμβανομένων των ακόλουθων: μειωμένη φλεβική κυκλοφορία, μειωμένη καρδιακή παροχή, μειωμένη νεφρική λειτουργία, αυξημένη ενδοκρανική πίεση, αυξημένη αντίσταση αεραγωγών και μειωμένη πνευμονική ενδοτικότητα.
- Μόνο άτομα που διαθέτουν επαρκή κατάρτιση, εξοικείωση και σχετική ικανότητα στις ελάχιστες απαιτούμενες χειρουργικές τεχνικές πρέπει να πραγματοποιούν τις ελάχιστες επεμβατικές επεμβάσεις. Συμβουλευθείτε την ιατρική βιβλιογραφία σχετικά με τεχνικές, επιπλοκές και κινδύνους πριν από την εκτέλεση οποιασδήποτε ελάχιστης επεμβατικής χειρουργικής επέμβασης.
- Η πλήρης κατανοήση των αρχών και των τεχνικών που περιλαμβάνονται στις επεμβάσεις λέιζερ, ηλεκτροχειρουργικές επεμβάσεις και υπερήχων είναι σημαντική για την αποφυγή κινδύνων ηλεκτροπληξίας και εγκαυμάτων, τόσο για τους ασθενείς όσο και για το ιατρικό προσωπικό αλλά και για την αποφυγή ζημιών της σουκεκής ή άλλων ιατρικών εργαλείων. Επιβεβαιώστε την ακεραιότητα της ηλεκτρικής μόνωσης ή της γείωσης.
- Υπάρχει πιθανότητα εγκλωβισμού αέρα στις παρακάτω περιπτώσεις:
  - Σοβαρή πίεση που εφαρμόζεται εξωτερικά στην κοιλιά
  - Σοβαρή και παρατεταμένη διαρροή μέσω άλλων υφιστάμενων συμβατικών θυρών ή μέσω ανοιχτής τομής
  - Σοβαρή και παρατεταμένη αναρρόφηση
- Κατά τη διάρκεια αυτών των συνθηκών όπως περιγράφονται ανωτέρω, η μετατόπιση του αερίου εμφύσησης από αέρα είναι προσωρινή και ο εισερχόμενος αέρας θα εκπομπεί από το CO<sub>2</sub>.
- Προτείνεται να μην υπερβαίνουν οι πιέσεις εμφύσησης > 15 mm Hg σε ορθολογικές διαδικασίες.
- Υψηλότερες πιέσεις εμφύσησης (> 15 mm Hg) με διοξείδιο του άνθρακα ενδέχεται να αυξήσουν τον κίνδυνο υπερκαπνίας, πρωτοπαθούς εμφυσήματος, πνευμοεσοπνευμονίου, πνευμοσώχου και επίσχεσης ούρων.
- Εάν χρησιμοποιείτε το προαιρετικό ηχητικό κάλυμμα (8 mm, 12 mm):
  - Πριν από τη χρήση επιθεωρήστε τον σφρό και τη σφράγιση του ηχητικού καλύμματος.
  - Μετά από τη χρήση επιθεωρήστε το ηχητικό κάλυμμα για την ύπαρξη οποιασδήποτε φυσικής ζημιάς.

- Επιδείξει ιδιαίτερη προσοχή κατά την εισαγωγή της Θύρας πρόσβασης του AirSeal. Μη σωστή χρήση αυτού του προϊόντος ενδέχεται να επιφέρει θανατηφόρο τραυματισμό των εσωτερικών οργάνων και αγγείων.
  - Βεβαιωθείτε ότι διατηρείται επαρκές πνευμοπερίτριο και πνευμορρόθ
  - Βεβαιωθείτε ότι ο ασθενής είναι τοποθετημένος κατάλληλα, ώστε τα όργανα να βρίσκονται σε απόσταση από το σημείο εισαγωγής
  - Κατευθύνετε το άκρο της Θύρας πρόσβασης του AirSeal μακριά από σημαντικά αγγεία και όργανα
  - Φροντίστε ώστε το εξωτερικό τοίχωμα της Θύρας πρόσβασης AirSeal να έρχεται σε επαφή μόνο με τον ιστό και να μην παγιδεύεται ανάμεσα σε σκληρές επιφάνειες, όπως άλλα εργαλεία ή οστά, ούτε να συγκρούεται με αυτές. Η παρατεταμένη ή ζοφική επαφή με σκληρές επιφάνειες μπορεί να προκαλέσει ζημιά στη Θύρα πρόσβασης ή να οδηγήσει σε θραύση της.
  - Μην χρησιμοποιείτε υπερβολική κατώσσα δύναμη
- Μόνο χειρουργικά εργαλεία χειρός θα πρέπει να περνούν από τη Θύρα πρόσβασης AirSeal. ΜΗΝ εισάγετε τροκάρ ή ρομποτικά εργαλεία στη Θύρα πρόσβασης AirSeal. Η ακατάλληλη χρήση μπορεί να προκαλέσει ζημιά στη Θύρα πρόσβασης ή να οδηγήσει σε θραύση της.
- Τα χαρακτηριστικά σχεδιασμού της Θύρας πρόσβασης με τραυματικό οπτικό άκρο προορίζονται για την ελαχιστοποίηση της πιθανότητας τραυματισμού σε υποκείμενες ανατομικές δομές κατά τη διεύθυνση. Ωστόσο, πρέπει να τηρούνται τα συνήθη προληπτικά μέτρα που χρησιμοποιούνται σε όλες τις εν λόγω εισαγωγές.
- Παρόλο που η Θύρα πρόσβασης με τραυματικό οπτικό άκρο διαθέτει ένα «τραυματικό» άκρο, πρέπει να γίνεται προσοχή, όπως με όλες τις εν λόγω συσκευές, για την αποφυγή βλάβης σημαντικών αγγείων και άλλων ανατομικών δομών (όπως το έντερο ή το μεσεντέριο). Για να ελαχιστοποιηθεί ο κίνδυνος ενός τέτοιου τραυματισμού, βεβαιωθείτε για τα εξής:
  - Διατηρήστε επαρκές πνευμοπερίτριο ή πνευμορρόθ,
  - Έχετε τοποθετήσει σωστά τον ασθενή ώστε να απομακρύνονται τα όργανα από την περιοχή της διεύθυνσης
  - Παρατηρήστε σημαντικά ανατομικά σημεία
  - Κατευθύνετε την άκρη της Θύρας πρόσβασης του AirSeal μακριά από σημαντικά αγγεία και δομές
  - Μην χρησιμοποιείτε υπερβολική ή ανελεγχτική δύναμη
  - Χρησιμοποιείτε οπτική τεχνική εισόδου, όπως είναι δυνατόν.
- Μόλις πραγματοποιηθεί μερική είσοδος, απαιτείται πολύ λίγη δύναμη για την ολοκλήρωση της εισόδου. Η υπερβολική δύναμη μπορεί να προκαλέσει τραυματισμό στις υποκείμενες ανατομικές δομές.
- Μετά από την ορθή ενδοσκοπική είσοδο, η Θύρα πρόσβασης με τραυματικό οπτικό άκρο δεν πρέπει να προχωρήσει σε περαιτέρω διεύθυνση. Η συνεχόμενη είσοδος της Θύρας πρόσβασης μετά από αυτό το σημείο μπορεί να προκαλέσει τραυματισμό στις υποκείμενες ανατομικές δομές.
- Όταν έχει επιτευχθεί η ασφαλής και σωστή εισαγωγή, βεβαιωθείτε ότι η μαύρη γραμμή στο περιφερικό άκρο της Θύρας πρόσβασης του AirSeal είναι ορατή μέσα στην καλύπτρα κάθε φορά που χρησιμοποιείται η Θύρα πρόσβασης του AirSeal για εμφύσηση.
- Μην επιχειρήσετε να κάνετε δευτερεύουσες παρακέντησεις τροκάρ μέχρι τη σταθεροποίηση της αρχικής τοποθεσίας αλλά και της συστημένης ενδοκοιλιακής πίεσης (συνήθως 12–18 mm Hg).
- Μετά από την αφαίρεση της κάνουλας από την καλύπτρα, επιβεβαιώστε πάντα την περιοχή για αιμόσταση. Εάν δεν παρατηρείται αιμόσταση, πρέπει να χρησιμοποιηθούν οι κατάλληλες τεχνικές για την επίτευξη αιμόστασης.
- Το Σετ σωλήνων τριπλού αυλού με φίλτρο ενεργού άνθρακα και το Διγαλωτό σετ σωλήνων εκκένωσης καπνού με φίλτρο ενεργού άνθρακα είναι εξοπλισμένα με αισθητήρες υγρού ώστε να παρακολουθούν το επίπεδο υγρού στα φίλτρα και να προειδοποιούν τους χρήστες για πιθανή μόνωση της συσκευής. Εάν η παγίδα υγρού του περιβλήματος φίλτρου έχει γεμίσει έως το επίπεδο υγρού **Low** (Χαμηλό), εμφανίζεται ένα προειδοποιητικό μήνυμα στην οθόνη αφής και εκπέμπεται ένα ηχητικό σήμα. Η θέση της κάνουλας και της σωλήνων πρέπει να ελεγχθούν ώστε να διασφαλιστεί ότι δεν εισέρχεται άλλο υγρο στο φίλτρο. Σε αυτό το σημείο, εισάγετε εκ νέου τον αποσφρακτάρ στη Θύρα πρόσβασης του AirSeal και αλλάξτε το σετ σωλήνων με φίλτρο.
- Εργαλεία ή συσκευές οι οποίες έρχονται σε επαφή με ομακτικά υγρά ενδέχεται να απαιτούν ειδική απόρριψη για την αποτροπή βιολογικής μόλυνσης.

## ΑΝΤΕΝΔΕΙΞΕΙΣ

Η παρούσα συσκευή AirSeal IFS δεν προορίζεται για χρήση, σε περίπτωση που αντενδείκνυται οι ελάχιστοι επεμβατικές ενδοσκοπικές τεχνικές.

**ΣΗΜΑΝΤΙΚΟ:** Το παρόν ένθετο της συσκευασίας έχει σχεδιαστεί για την παροχή οδηγιών χρήσης. Δεν αποτελεί αναφορά ή οδηγό για τεχνικές εισαγωγής τροκάρ. Η επιτυχής χρήση ενός τροκάρ με τραυματικό, οπτικό άκρο ως κύρια θύρα μετά την εμφύσηση εξαρτάται από την αναγνώριση και διαφοροποίηση μεταξύ των στρωμάτων ιστού. Επομένως, οι νέοι χρήστες θα πρέπει να χρησιμοποιούν τα τροκάρ με οπτικό άκρο ως δευτερεύουσα θύρα μετά την εμφύσηση, προκειμένου να αποκτήσουν εμπειρία και διαδικαστική ικανότητα στην οπτικοποίηση των στρωμάτων του ιστού. Μετά από την απόκτηση εμπειρίας με την παραπάνω τεχνική, τα τροκάρ με οπτικό άκρο μπορούν να χρησιμοποιηθούν ως κύρια θύρα μετά την εμφύσηση.

**Σημείωση:** Επιβεβαιώστε οπτικά τα συστήματα στείρου φραγμού για τυχόν θέματα ακεραιότητας της συσκευασίας που θα μπορούσαν να επηρεάσουν τη στεριότητα πριν από την παρουσίαση σε άσηπτο περιβάλλον. Μην χρησιμοποιείτε εάν βρεθούν τυχόν παραβιάσεις στο σύστημα στείρου φραγμού.

## ΟΔΗΓΙΕΣ ΧΡΗΣΗΣ

### Γενικές οδηγίες χρήσης της Θύρας πρόσβασης AirSeal για τη λειτουργία AirSeal:

**Σημείωση:** Ανατρέξτε στις Οδηγίες χρήσης του IFS για τα χαρακτηριστικά που σχετίζονται με συγκεκριμένες αναθεωρήσεις λογισμικού.

1. Ενεργοποιήστε το AirSeal IFS πιέζοντας τον διακόπτη ON/OFF (ΕΝΕΡΓΟΠΟΙΗΣΗΣ/ΑΠΕΝΕΡΓΟΠΟΙΗΣΗΣ) (Εικ. 1, A).
2. Ο μοχλός του AirSeal IFS πρέπει να βρίσκεται στην όρθια θέση ή στη θέση UNLOCK (Ξεκλειδώμα) (Εικ. 1, D).
3. Πριν εισαγάγετε το σετ σωλήνων τριπλού αυλού με φίλτρο ενεργού άνθρακα, επιτρέψτε την ολοκλήρωση του αρχικού αυτοελέγχου.
4. Αφαιρέστε το σετ σωλήνων με τριπλό αυλό από τη συσκευασία χρησιμοποιώντας στείρα τεχνική. Για την αποφυγή βλάβης, μην στρέψετε τη συσκευή μέσα στο αποστειρωμένο πεδίο.
5. Τοποθετήστε το περιβλήμα φίλτρου του σετ σωλήνων με τριπλό αυλό στην υποδοχή σετ σωλήνων που βρίσκεται στο μπροστινό μέρος του AirSeal IFS (Εικ. 1, C).
6. Πιέστε τον μοχλό προς τα κάτω, στη θέση LOCK (Κλειδώμα) (Εικ. 9) και θα γίνει αυτόματη εκκίνηση της λειτουργίας AirSeal.  
**Σημείωση:** Εάν είναι ενεργοποιημένη η λειτουργία AirSeal «Παιδιατρικός», θα σας ζητηθεί να επιλέξετε τη λειτουργία AirSeal «Παιδιατρικός» ή «Ενηλίκων».
7. Ανατρέξτε στις Οδηγίες χρήσης του AirSeal IFS για λεπτομέρειες σχετικά με τον τρόπο λειτουργίας AirSeal Pediatric (Παιδιατρικός).
8. Επιβεβαιώστε στην οθόνη αφής του AirSeal IFS ότι το επίπεδο παροχής αερίου επαρκεί (Εικ. 1, B).
9. Επιλέξτε τις επιθυμητές ρυθμίσεις ροής και πίεσης για τον ασθενή. Πατήστε «Confirm» (Επιβεβαίωση) για την επιβεβαίωση των παραμέτρων του ασθενούς.

**Παρακάτω, υπάρχουν επιπλέον οδηγίες για την Εισαγωγή βελόνας Veress με τη Θύρα πρόσβασης με τραυματικό οπτικό άκρο. Η τεχνική αυτή δεν χρησιμοποιείται για κοιλιακή εισαγωγή με αμβλύ άκρο (τύπου Hassan). Εάν η τεχνική εισαγωγής με βελόνα Veress δεν χρησιμοποιείται, συνεχίστε στο βήμα 9.**

- Ο προσαρμογέας μονού αυλού είναι προσαρτημένος εκ των προτέρων στο σετ σωλήνων τριπλού αυλού με φίλτρο ενεργού άνθρακα.
- Συνδέστε τον προσαρμογέα μονού αυλού στην θύρα Luer της βελόνας Veress και εισαγάγετε σύμφωνα με τις οδηγίες του κατασκευαστή.
- Ρυθμίστε τις επιθυμητές τιμές ροής και πίεσης στην οθόνη αφής του AirSeal IFS.
- Πιέστε «Start» (Έναρξη) στην οθόνη αφής του AirSeal IFS και θα ξεκινήσει η Αρχική εμφύσηση.
- Αφού επιτευχθεί η αρχική εμφύσηση, αποσπάστε το Σετ σωλήνων τριπλού αυλού με φίλτρο ενεργού άνθρακα από τον Προσαρμογέα μονού αυλού.
- Αφαιρέστε τη βελόνα Veress.

**Εάν η Θύρα πρόσβασης AirSeal δεν αποτελεί το πρώτο τροκάρ που τοποθετείται, διατηρήστε τον Προσαρμογέα μονού αυλού συνδεδεμένο με το Σετ σωλήνων τριπλού αυλού με φίλτρο ενεργού άνθρακα και μεταφέρετε τον Προσαρμογέα μονού αυλού στη θύρα Luer του συμβατικού τροκάρ που τοποθετείται πρώτο. Αφαιρέστε τον Προσαρμογέα μονού αυλού μόνον αφού έχει εισαχθεί η Θύρα πρόσβασης AirSeal.**

9. Χρησιμοποιώντας στείρα τεχνική, αφαιρέστε τη Θύρα πρόσβασης AirSeal και το προαιρετικό ηχητικό κάλυμμα (8 mm, 12 mm) από τη συσκευασία. Για την αποφυγή βλάβης, μην στρέψετε τη συσκευή μέσα στο αποστειρωμένο πεδίο.
10. Η Θύρα πρόσβασης AirSeal (αποσφρακτάρ και κάνουλα) παρέχεται προσυναρμολογημένη στη συσκευασία της, οπότε δεν χρειάζεται να τη συναρμολογήσετε. Σημείωση: Εάν χρειαστεί να συναρμολογήσετε τη Θύρα πρόσβασης, εισαγάγετε τον αποσφρακτάρ στην κάνουλα έως ότου ασφαλισουν καλά μαζί.

- Βεβαιωθείτε ότι ο αποφρακτής και η κάνουλα έχουν συναρμολογηθεί σωστά. **Σημείωση:** Εάν χρησιμοποιείτε τη θύρα πρόσβασης με αμβλύ άκρο, βεβαιωθείτε ότι το ελατρωτό άγκιστρο είναι επίσης τοποθετημένο (Εικ. 4, D).
- Πραγματοποιήστε τομή χρησιμοποιώντας τις συνήθεις χειρουργικές διαδικασίες. (Σημείωση: Η τομή πρέπει να ισοδυναμεί με τη διάμετρο της κάνουλας. Μια ανεπαρκής τομή μπορεί να προκαλέσει αυξημένη αντίσταση κατά την εισαγωγή, αυξάνοντας την απαιτούμενη δύναμη διείσδυσης και ενδέχεται να οδηγήσει σε απώλεια ελέγχου κατά τη διάρκεια της εισαγωγής.)

**Η συναρμολογημένη θύρα πρόσβασης είναι έτοιμη να εισαχθεί. Εάν χρησιμοποιείτε τη θύρα πρόσβασης με αμβλύ άκρο, χρησιμοποιείτε την κατάλληλη λαπαροσκοπική τεχνική (είσοδος τύπου Hassan).**

- Εισαγάγετε τη συναρμολογημένη θύρα πρόσβασης μέσω της τομής στο δέρμα χρησιμοποιώντας περιστροφική κίνηση από 30° έως 90°. Εφαρμόστε συνεχόμενη αλλά ελεγχόμενη πίεση προς τα κάτω στη λαβή.
- Διασφαλίστε ότι η θύρα πρόσβασης έχει εισαχθεί σωστά. Μην αφαιρείτε τώρα τον αποφρακτήρα από την κάνουλα. **Σημείωση:** Αν χρησιμοποιείτε τη θύρα πρόσβασης με αμβλύ άκρο, το ελατρωτό άγκιστρο πρέπει να ασφαλίεται προς τα κάτω στην κοιλιακή χώρα του ασθενούς με συρραφή κατά τον συνήθη τρόπο.
- Βεβαιωθείτε ότι η μαύρη γραμμή της περιφερικής άκρης της θύρας πρόσβασης του AirSeal είναι ορατή μέσα στην κοιλότητα κάθε φορά που χρησιμοποιείται την θύρα πρόσβασης για εμφύσηση.
- Αφαιρέστε το πολλαπλό βύσμα από την πλευρά της κάνουλας στη θύρα πρόσβασης AirSeal και συνδέστε το περιφερικό άκρο του σετ σωλήνα τριπλού αυλού με φίλτρο ενεργού άνθρακα στην πολλαπλή κάνουλα και οφίξτε. **Σημείωση:** Εάν το σετ σωλήνων AirSeal και η θύρα πρόσβασης δεν είναι κατάλληλα σφισμένα, η ένδειξη πίεσης στη συσκευή ενδέχεται να μην αντικατοπτρίζει την πίεση που αισθάνεται ο ασθενής. Η ασφαλής σύνδεση μπορεί να επιβεβαιωθεί οπτικά όταν ένα από τα λευκά πτερύγια στον συνδετήρα του κεντρικού σημείου του σετ σωλήνων ευθυγραμμίζεται απευθείας με το επάνω μέρος της θύρας πρόσβασης (Εικ. 15). Κοιτάζοντας κατευθείαν μέσα στο κεντρικό σημείο της θύρας πρόσβασης ενώ το σετ σωλήνων είναι συνδεδεμένο, ένα από τα πτερύγια στο τμήμα του συνδετήρα του σετ σωλήνων θα πρέπει να βρίσκεται ακριβώς κάθεται στη θύρα πρόσβασης (Εικ. 16).
- Το AirSeal θα ενεργοποιηθεί αυτόματα. Αφήστε τον αποφρακτήρα στη θέση αυτή μέχρι να ακουστεί το ηχητικό σήμα και να εμφανιστεί το μήνυμα «AirSeal ενεργό» στο πράσινο φόντο.
- Αφαιρέστε τον αποφρακτήρα από την κάνουλα αφίγγοντας τα κουμπιά ασφάλισης του αποφρακτήρα για να ασφαλίσετε τις δύο συσκευές. **Σημείωση:** Η θύρα πρόσβασης με το αμβλύ άκρο δεν διαθέτει κουμπιά ασφάλισης, οπότε μπορεί να αφαιρεθεί τραβώντας τον αποφρακτήρα κατευθείαν από την κάνουλα.
- Μόλις ενεργοποιηθεί η λειτουργία AirSeal και ο αποφρακτήρας έχει αφαιρεθεί από την κάνουλα AirSeal, ο ρυθμός ροής θα είναι αυτόματος. **Σημείωση:** Το επίπεδο εκκένωσης καπνού μπορεί να ρυθμιστεί είτε σε High (Υψηλό) είτε σε Low (Χαμηλό).
- Εάν το επιθυμείτε, σε αυτό το χρονικό σημείο μπορείτε να τοποθετήσετε το προαιρετικό ηχητικό κάλυμμα (8 mm, 12 mm) στην κάνουλα. (Σημείωση: Εάν χρησιμοποιείτε το προαιρετικό ηχητικό κάλυμμα, προσέξτε κατά την εισαγωγή αιχμηρών ή μεγάλων συσκευών μέσα από την κάνουλα. Το προαιρετικό ηχητικό κάλυμμα μπορεί να αφαιρεθεί από την κάνουλα οποιαδήποτε στιγμή κατά τη διάρκεια της διαδικασίας και θα πρέπει να αφαιρείται πριν από την εισαγωγή αιχμηρών ή μεγάλων αντικειμένων στην κάνουλα).
- Κατά την ολοκλήρωση της επέμβασης, πιέστε **STOP** (Διακοπή) στην οθόνη αφής για να σταματήσετε την εμφύσηση μέσω του AirSeal (**Σημείωση:** αυτό θα οδηγήσει σε απώλεια του πνευμονοπεριτόναιου). Χρησιμοποιώντας συνήθη λαπαροσκοπική τεχνική, αφαιρέστε όλες τις χειρουργικές συσκευές και κλείστε τις υπάρχουσες τομές εισαγωγής με τον συνήθη τρόπο. **Σημείωση:** Όταν ολοκληρωθεί η επέμβαση, η λειτουργία AirSeal θα υποβληθεί σε μια τελική βαθμονόμηση πριν από τον τερματισμό λειτουργίας. Κατά τη διάρκεια αυτής της διαδικασίας, δεν υπονοείται πίεση ή εμφύσηση. Περιμένετε έως ότου ολοκληρωθεί η τελική βαθμονόμηση προτού αφαιρέσετε το Διετ σωλήνων τριπλού αυλού με φίλτρο ενεργού άνθρακα ή απενεργοποιήσετε το IFS.
- Μετακινήστε τον μοχλό στο AirSeal IFS προς την όρθια θέση ή στη θέση UNLOCK (Ξεκλείδωμα).
- Αφαιρέστε το Σετ σωλήνων τριπλού αυλού με φίλτρο ενεργού άνθρακα από την υποδοχή σετ σωλήνων AirSeal IFS.
- Επειδή ο λειτουργικός έλεγχος διεξάγεται κατά την αρχική εκκίνηση, η μονάδα θα πρέπει να ολοκληρώνει τον κύκλο λειτουργίας της (απενεργοποίηση/ενεργοποίηση) πριν από κάθε χειρουργική επέμβαση.

**Δείτε τις παρακάτω επιπλέον οδηγίες για την εισαγωγή θύρας πρόσβασης με ατραυματικό οπτικό άκρο με τη χρήση ενδοσκοπίου.**

**Σημείωση: Ανατρέξτε στις Οδηγίες χρήσης του IFS για τα χαρακτηριστικά που σχετίζονται με συγκεκριμένες αναθεωρήσεις λογισμικού.**

- Συνδέστε το ενδοσκόπιο 0° στην παροχή φωτός και στην οθόνη σύμφωνα με τις οδηγίες του κατασκευαστή. Επιβεβαιώστε την κατάλληλη σύνδεση του ενδοσκοπίου και διασφαλίστε την ευκρίνεια της εικόνας στην οθόνη.
- Εισαγάγετε το ενδοσκόπιο στο άνοιγμα του γυάλινου άκρου της θύρας πρόσβασης με ατραυματικό οπτικό άκρο έως ότου αυτό φτάσει στο περιφερικό άκρο της θύρας πρόσβασης. (Εισαγωγή ενδοσκοπίου, Εικ. 12).
- Περιστρέψτε το ενδοσκόπιο όπως επιθυμείτε. (Εισαγωγή ενδοσκοπίου, Εικ. 13).
- Για την παροχή καθαρής εικόνας στην οθόνη, εισαγάγετε το ενδοσκόπιο στη λαβή της θύρας πρόσβασης με ατραυματικό οπτικό άκρο, ακουμπήστε το οπτικό άκρο σε μια βολική, μαλακή επιφάνεια και εστιάστε την κάμερα.
- Πραγματοποιήστε τομή χρησιμοποιώντας τις συνήθεις χειρουργικές διαδικασίες. (**Σημείωση:** Η τομή πρέπει να ισοδυναμεί με τη διάμετρο της κάνουλας. Μια ανεπαρκής τομή μπορεί να προκαλέσει αυξημένη αντίσταση κατά την εισαγωγή, αυξάνοντας την απαιτούμενη δύναμη διείσδυσης και ενδέχεται να οδηγήσει σε απώλεια ελέγχου κατά τη διάρκεια της εισαγωγής.) Εισαγάγετε τη συναρμολογημένη θύρα πρόσβασης μέσω της τομής στο δέρμα χρησιμοποιώντας περιστροφική κίνηση από 30° έως 90°. Εφαρμόστε συνεχόμενη αλλά ελεγχόμενη πίεση προς τα κάτω στη λαβή.
- Κατά τη διάρκεια εισαγωγής της θύρας πρόσβασης, προβάλετε τη διείσδυση της θύρας πρόσβασης μέσω των μεμονωμένων επιπέδων ιστού χρησιμοποιώντας το λαπαροενδοσκόπιο. Καθώς προωθείται η θύρα πρόσβασης, μπορείτε να διακρίνετε τα επιμέρους επίπεδα ιστού.
- Αφαιρέστε το λαπαροενδοσκόπιο από τη θύρα πρόσβασης με ατραυματικό οπτικό άκρο (Αφαίρεση ενδοσκοπίου, Εικ. 14).
- Συνεχίστε τη διαδικασία σύμφωνα με τις παραπάνω οδηγίες, αρχίζοντας με το βήμα 13.

## **ΟΔΗΓΙΕΣ ΧΡΗΣΗΣ**

**Οδηγίες χρήσης της θύρας πρόσβασης AirSeal για τη λειτουργία AirSeal σε διαπρωκτικές εφαρμογές:**

**Σημείωση: Ανατρέξτε στις Οδηγίες χρήσης του IFS για τα χαρακτηριστικά που σχετίζονται με συγκεκριμένες αναθεωρήσεις λογισμικού.**

- Ενεργοποιήστε το AirSeal IFS πιέζοντας τον διακόπτη ON/OFF (ΕΝΕΡΓΟΠΟΙΗΣΗ/ΑΠΕΝΕΡΓΟΠΟΙΗΣΗ) (Εικ. 1, A).
- Ο μοχλός του AirSeal IFS πρέπει να βρίσκεται στην όρθια θέση ή στη θέση UNLOCK (Ξεκλείδωμα) (Εικ. 1, D).
- Πριν εισαγάγετε το σετ σωλήνων τριπλού αυλού με φίλτρο ενεργού άνθρακα, επιτρέψτε την ολοκλήρωση του αρχικού αυτοελέγχου.
- Αφαιρέστε το σετ σωλήνων με τριπλό αυλό από τη συσκευασία χρησιμοποιώντας στείρα τεχνική. Για την αποφυγή βλάβης, μην στρέψετε τη συσκευή μέσα στο αποστειρωμένο πεδίο.
- Τοποθετήστε το περιβλήμα φίλτρου του σετ σωλήνων με τριπλό αυλό στην υποδοχή σετ σωλήνων που βρίσκεται στο μπροστινό μέρος του AirSeal IFS (Εικ. 1, C).
- Πιέστε τον μοχλό προς τα κάτω, στη θέση LOCK (Κλείδωμα) (Εικ. 9) και θα γίνει αυτόματη εκκίνηση της λειτουργίας AirSeal. **Σημείωση:** Εάν είναι ενεργοποιημένη η λειτουργία AirSeal «Παιδιατρικός», θα σας ζητηθεί να επιλέξετε τη λειτουργία AirSeal «Παιδιατρικός» ή «Ενηλικών». Ανατρέξτε στις Οδηγίες χρήσης του AirSeal IFS για λεπτομέρειες σχετικά με τον τρόπο λειτουργίας AirSeal Pediatric (Παιδιατρικός).
- Επιβεβαιώστε στην οθόνη αφής του AirSeal IFS ότι το επίπεδο παροχής αερίου αρκεί (Εικ. 1, B).
- Επιλέξτε τις επιθυμητές ρυθμίσεις ροής και πίεσης για τον ασθενή. Πατήστε «Confirm» (Επιβεβαίωση) για την επιβεβαίωση των παραμέτρων του ασθενούς.
- Χρησιμοποιώντας στείρα τεχνική, αφαιρέστε τη θύρα πρόσβασης AirSeal και το προαιρετικό ηχητικό κάλυμμα (8 mm, 12 mm) από τη συσκευασία. Για την αποφυγή βλάβης, μην στρέψετε τη συσκευή μέσα στο αποστειρωμένο πεδίο.
- Η θύρα πρόσβασης AirSeal (αποφρακτήρας και κάνουλα) παρέχεται προσυναρμολογημένη στη συσκευασία της, οπότε δεν χρειάζεται να τη συναρμολογήσετε. **Σημείωση:** Εάν χρειαστεί να συναρμολογήσετε τη θύρα πρόσβασης, εισαγάγετε τον αποφρακτήρα στην κάνουλα έως ότου ασφαλισουν καλά μαζί.
- Βεβαιωθείτε ότι ο αποφρακτήρας και η κάνουλα έχουν συναρμολογηθεί σωστά.
- Ακολουθήστε τις οδηγίες χρήσης που παρέχονται από τον κατασκευαστή για την επιλεγμένη συσκευή πλατφόρμας διαπρωκτικής πρόσβασης για τοποθέτηση στο ορθό.

- Εισαγάγετε τη θύρα πρόσβασης στη συσκευή πλατφόρμας διαπρακτικής πρόσβασης μέσω της κατάλληλης θέσης αυλού ή κάνουλας. Όταν τοποθετείτε τη θύρα πρόσβασης στη συσκευή πλατφόρμας διαπρακτικής πρόσβασης, εισαγάγετε την με περιστροφική κίνηση κατά 30° έως 90°. Εφαρμόστε συνεχόμενη αλλά ελεγχόμενη αζονική πίεση στη θύρα πρόσβασης μέχρι να τοποθετηθεί με ασφάλεια στην πλατφόρμα διαπρακτικής πρόσβασης.
- Βεβαιωθείτε ότι ο αποσφρακτάρης και η κάνουλα έχουν τοποθετηθεί σωστά. Μην αφαιρείτε τώρα τον αποσφρακτάρη από τη διάταξη κάνουλας.
- Αφαιρέστε το πολλαπλό βύσμα από την πλευρά της κάνουλας στη θύρα πρόσβασης AirSeal και συνδέστε το περιφερικό άκρο του σετ σωλήνα τριπλού αυλού με φίλτρο ενεργού άνθρακα στην πολλαπλή κάνουλα και οφίξτε.  
**Σημείωση:** Εάν το σετ σωλήνων AirSeal και η θύρα πρόσβασης δεν είναι κατάλληλα σφισμένα, η ένδειξη πίεσης στη συσκευή ενδέχεται να μην αντικαταπτύχει την πίεση που αισθάνεται ο ασθενής. Η ασφαλής σύνδεση μπορεί να επιβεβαιωθεί οπτικά όταν ένα από τα λευκά πτερύγια στον συνδετήρα του κεντρικού σημείου του σετ σωλήνων ευθυγραμμίζεται απευθείας με το επάνω μέρος της θύρας πρόσβασης (Εικ. 15). Κοιτάζοντας κατευθείαν μέσα στο κεντρικό σημείο της θύρας πρόσβασης ενώ το σετ σωλήνων είναι συνδεδεμένο, ένα από τα πτερύγια στο τμήμα του συνδετήρα του σετ σωλήνων θα πρέπει να βρίσκεται ακριβώς κάτω στη θύρα πρόσβασης (Εικ. 16).
- Το AirSeal θα ενεργοποιηθεί αυτόματα. Αφήστε τον αποσφρακτάρη στη θέση αυτή μέχρι να ακουστεί το ηχητικό σήμα και να εμφανιστεί το μήνυμα «AirSeal ενεργό» στο πράσινο φόντο.
- Αφαιρέστε τον αποσφρακτάρη από την κάνουλα σφίγγοντας τα κουμπιά ασφάλισης του αποσφρακτάρη για να απασφαλίσετε τις δύο συσκευές.
- Μόλις ενεργοποιηθεί η λειτουργία AirSeal και ο αποσφρακτάρης έχει αφαιρεθεί από την κάνουλα AirSeal, ο ρυθμός ροής θα είναι αυτόματος.  
**Σημείωση:** Το επίπεδο εκκένωσης καπνού μπορεί να ρυθμιστεί είτε σε High (Υψηλό) είτε σε Low (Χαμηλό).
- Εάν το επιθυμείτε, σε αυτό το χρονικό σημείο μπορείτε να τοποθετήσετε το προαιρετικό ηχητικό κάλυμμα (8 mm, 12 mm) στην κάνουλα. (**Σημείωση:** Εάν χρησιμοποιείτε το προαιρετικό ηχητικό κάλυμμα, προσέξτε κατά την εισαγωγή αιχιμρών ή μεγάλων συσκευών μέσα από την κάνουλα. Το προαιρετικό ηχητικό κάλυμμα μπορεί να αφαιρεθεί από την κάνουλα οποιαδήποτε στιγμή κατά τη διάρκεια της διαδικασίας και θα πρέπει να αφαιρείται πριν από την εισαγωγή αιχιμρού ή μεγάλου αντικείμενου στην κάνουλα.).
- Κατά την ολοκλήρωση της επέμβασης, πιέστε **STOP** (Διακοπή) στην οθόνη αφής για να σταματήσετε την εμφύσηση μέσω του AirSeal (**Σημείωση:** αυτό θα οδηγήσει σε απώλεια του πνευμονοπεριτόναιου). Χρησιμοποιώντας συνήθη λαπαροσκοπική τεχνική, αφαιρέστε όλες τις χειρουργικές συσκευές και κλείστε τις υπάρχουσες τομές εισαγωγής με τον συνήθη τρόπο.  
**Σημείωση:** Όταν ολοκληρωθεί η επέμβαση, η λειτουργία AirSeal θα υποβληθεί σε μια τελική βαθμολόγηση πριν από τον τερματισμό λειτουργίας. Κατά τη διάρκεια αυτής της διαδικασίας, δεν υποσφραγίζεται πίεση ή εμφύσηση. Περιμένετε έως ότου ολοκληρωθεί η τελική βαθμολόγηση προτού αφαιρέσετε το Σετ σωλήνων τριπλού αυλού με φίλτρο ενεργού άνθρακα ή απενεργοποιήσετε το IFS.
- Μετακινήστε τον μοχλό στο AirSeal IFS προς την όρθια θέση ή στη θέση UNLOCK (Ξεκλειδωμά).
- Αφαιρέστε το Σετ σωλήνων τριπλού αυλού με φίλτρο ενεργού άνθρακα από την υποδοχή σετ σωλήνων AirSeal IFS.
- Επειδή ο λειτουργικός έλεγχος διεξάγεται κατά την αρχική εκκίνηση, η μονάδα θα πρέπει να ολοκληρώνει τον κύκλο λειτουργίας της (απενεργοποίηση/ενεργοποίηση) πριν από κάθε χειρουργική επέμβαση.

## **Γενικές οδηγίες χρήσης στους τρόπους λειτουργίας Εκκένωσης καπνού και Τυπικής εμφύσησης:**

### **ΑΡΧΙΚΗ ΕΜΦΥΣΗ ΜΕ ΒΕΛΟΝΗ VERESS**

#### **Σημείωση: Ανατρέξτε στις Οδηγίες χρήσης του IFS για τα χαρακτηριστικά που σχετίζονται με συγκεκριμένες αναθεωρήσεις λογισμικού.**

- Ενεργοποιήστε το AirSeal IFS πιέζοντας τον διακόπτη ON/OFF (ΕΝΕΡΓΟΠΟΙΗΣΗΣ/ΑΠΕΝΕΡΓΟΠΟΙΗΣΗΣ) (Εικ. 1, Α).
- Στο τέλος του αρχικού διαγνωστικού αυτοελέγχου, επιλέξτε είτε τη λειτουργία Εκκένωσης καπνού είτε τη λειτουργία Τυπικής εμφύσησης στην οθόνη αφής από τη λίστα επιλογής λειτουργίας του AirSeal IFS (Εικ. 1, Β).
- Επιβεβαιώστε στην οθόνη αφής του AirSeal IFS ότι το επίπεδο παροχής αερίου επαρκεί (Εικ. 1, Β).
- Συνδέστε το κατάλληλο σετ σωλήνων στο AirSeal IFS (βλ. συγκεκριμένες οδηγίες παρακάτω για τη σύνδεση του Διχαλωτού σετ σωλήνων εκκένωσης καπνού με φίλτρο ενεργού άνθρακα).  
**Σημείωση:** Σε αντίθεση με τα άλλα σετ σωλήνων, το σετ σωλήνων μονού αυλού συνδέεται με τον σωλήνα εμφύσησης που συνδέεται στη θύρα στο μπροστινό μέρος του AirSeal IFS.
- Συνδέστε τον συνδετήρα Luer lock του σετ σωλήνων με το άκρο μιας βελόνας Veress ή ενός συμβατικού τροκάρ με τον συνήθη τρόπο. (βλ. συγκεκριμένες οδηγίες παρακάτω για τη σύνδεση του Διχαλωτού σετ σωλήνων εκκένωσης καπνού με φίλτρο ενεργού άνθρακα).
- Ρυθμίστε τις επιθυμητές τιμές ροής και πίεσης στην οθόνη αφής του AirSeal IFS. Πατήστε «Confirm» (Επιβεβαίωση) για την επιβεβαίωση των παραμέτρων του ασθενούς.
- Πιέστε «Εναρξη» στην οθόνη αφής του AirSeal IFS και θα ξεκινήσει η Αρχική εμφύσηση.
- Αφού επιτευχθεί η αρχική εμφύσηση, **εισαγάγετε το συμβατικό τροκάρ με τις τυπικές θύρες Luer.**
- Κατά την ολοκλήρωση της επέμβασης, πιέστε **STOP** (Διακοπή) στην οθόνη αφής για να σταματήσετε την εμφύσηση (**Σημείωση:** αυτό θα οδηγήσει σε απώλεια του πνευμονοπεριτόναιου). Χρησιμοποιώντας συνήθη λαπαροσκοπική τεχνική, αφαιρέστε όλες τις χειρουργικές συσκευές και κλείστε τις υπάρχουσες τομές εισαγωγής με τον συνήθη τρόπο.
- Αφαιρέστε το σετ σωλήνων από το AirSeal IFS (βλ. συγκεκριμένες οδηγίες παρακάτω για την αφαίρεση του Διχαλωτού σετ σωλήνων εκκένωσης καπνού από το φίλτρο ενεργού άνθρακα).
- Επειδή ο λειτουργικός έλεγχος διεξάγεται κατά την αρχική εκκίνηση, η μονάδα θα πρέπει να ολοκληρώνει τον κύκλο λειτουργίας της (απενεργοποίηση/ενεργοποίηση) πριν από κάθε χειρουργική επέμβαση.

## **Βλ. περαιτέρω οδηγίες παρακάτω για το Διχαλωτό σετ σωλήνων εκκένωσης καπνού με φίλτρο ενεργού άνθρακα**

### **Προς χρήση με δύο συμβατικά τροκάρ με τυπικές θύρες Luer και το Διχαλωτό σετ σωλήνων με φίλτρο ενεργού άνθρακα.**

Διαφανής σωλήνας: Εμφύσηση  
Μπλε σωλήνας: Εκκένωση καπνού

#### **Προσάρτηση του Διχαλωτού σετ σωλήνων εκκένωσης καπνού με φίλτρο ενεργού άνθρακα**

#### **Σημείωση: Ανατρέξτε στις Οδηγίες χρήσης του IFS για τα χαρακτηριστικά που σχετίζονται με συγκεκριμένες αναθεωρήσεις λογισμικού.**

- Ο μοχλός του AirSeal IFS πρέπει να βρίσκεται στην όρθια θέση ή στη θέση UNLOCK (Ξεκλειδωμά) (Εικ. 1, D).
- Τοποθετήστε το περιβλήμα φίλτρου του Διχαλωτού σετ σωλήνων εκκένωσης καπνού με φίλτρο ενεργού άνθρακα στην υποδοχή σετ σωλήνων που βρίσκεται στο μπροστινό μέρος του AirSeal IFS (Εικ. 1, C).
- Πιέστε τον μοχλό προς τα κάτω, στη θέση LOCK (ΚΛΕΙΔΩΜΑ).
- Προσαρτήστε τη βελόνα Veress στον συνδετήρα Luer lock του διαφανούς σωλήνα επί του Διχαλωτού σετ σωλήνων εκκένωσης καπνού με φίλτρο ενεργού άνθρακα.
- Ρυθμίστε τις επιθυμητές τιμές ροής και πίεσης στην οθόνη αφής του AirSeal IFS. Πατήστε «Confirm» (Επιβεβαίωση) για την επιβεβαίωση των παραμέτρων του ασθενούς.
- Πιέστε «Start» (Εναρξη) στην οθόνη αφής του AirSeal IFS και θα ξεκινήσει η Αρχική εμφύσηση.
- Βεβαιωθείτε ότι οι κάνουλες έχουν εισαχθεί σωστά.
- Αφαιρέστε τη βελόνα Veress και αποσυνδέστε την από το Διχαλωτό σετ σωλήνων εκκένωσης καπνού με φίλτρο ενεργού άνθρακα.
- Συνδέστε τον συνδετήρα Luer lock του **ΔΙΑΦΑΝΟΥΣ** σωλήνα του Διχαλωτού σετ σωλήνων εκκένωσης καπνού με φίλτρο ενεργού άνθρακα στη συμβατική κάνουλα. Ανοίξτε τη βαλβίδα/στροφίγγα εισροής.
- Ακολουθήστε τις οδηγίες στην οθόνη αφής του AirSeal IFS. Όταν σας ζητηθεί, συνδέστε τον συνδετήρα Luer lock του **ΜΠΛΕ** σωλήνα του Διχαλωτού σετ σωλήνων εκκένωσης καπνού με φίλτρο ενεργού άνθρακα σε μια άλλη συμβατική κάνουλα. Η εμφύσηση παραμένει ενεργή.
- Όταν ο συνδετήρας Luer lock του **ΜΠΛΕ** σωλήνα του Διχαλωτού σετ σωλήνων εκκένωσης καπνού με φίλτρο ενεργού άνθρακα συνδεθεί στη δεύτερη συμβατική κάνουλα, ενεργοποιείται η Εκκένωση καπνού.

**ΣΟΒΑΡΑ ΣΥΜΒΑΝΤΑ** — Τυχόν σοβαρά συμβάντα που σχετίζονται με τη χρήση αυτής της συσκευής πρέπει να αναφέρονται αμέσως στο τμήμα εξυπηρέτησης πελατών της CONMED ή στον τοπικό αντιπρόσωπο της CONMED. Διεύθυνση email: CustomerExperience@CONMED.com

**Αφαίρεση του Διχλωλωτού σετ σωλήνων εκκένωσης καπνού με φίλτρο ενεργού άνθρακα**

**Σημείωση: Ανατρέξτε στις Οδηγίες χρήσης του iFS για τα χαρακτηριστικά που αφορούν τη συσκευασία αναθεωρημένης λογισμικού.**

1. Κατά την ολοκλήρωση της επέμβασης, πιέστε **STOP** (Διακοπή) στην οθόνη αφής για να σταματήσετε την εμφύσηση (**Σημείωση:** αυτό θα οδηγήσει σε απάλεια του πνευμονοπεριτόναιου). Χρησιμοποιώντας συνήθη λαπαροσκοπική τεχνική, αφαιρέστε όλες τις χειρουργικές συσκευές και κλείστε τις υπάρχουσες τομές εισαγωγής με τον συνήθη τρόπο.
2. Μετακινήστε τον μοχλό στο AirSeal iFS προς την όρθια θέση ή στη θέση UNLOCK (Ξεκλειδώμα).
3. Αφαιρέστε το Διχλωλωτό σετ σωλήνων εκκένωσης καπνού με φίλτρο ενεργού άνθρακα από την υποδοχή σετ σωλήνων του AirSeal iFS.
4. Επειδή ο λειτουργικός έλεγχος διεξάγεται κατά την αρχική εκκίνηση, η μονάδα θα πρέπει να ολοκληρώνει τον κύκλο λειτουργίας της (απενεργοποίηση/ενεργοποίηση) πριν από κάθε χειρουργική επέμβαση.

#### ΑΠΟΡΡΙΨΗ

Απορρίψτε τη συσκευή σύμφωνα με τις τοπικές απαιτήσεις του νοσοκομείου.

#### ΤΡΟΠΟΣ ΔΙΑΘΕΣΗΣ

Κάθε ένα από τα ακόλουθα παρέχεται αποστειρωμένο μέσω ακτινοβολίας γάμμα για χρήση σε έναν μόνο ασθενή: Θύρα οπτικής πρόσβασης AirSeal, Θύρα πρόσβασης χαμηλού προφίλ AirSeal, Προαιρετικό ηχητικό κάλυμμα (8 mm, 12 mm), Θύρα πρόσβασης με αμβλύ άκρο AirSeal, Κάνουλα AirSeal, Διχλωλωτό σετ σωλήνων εκκένωσης καπνού με φίλτρο ενεργού άνθρακα, Σετ σωλήνων τριπλού αυλού με φίλτρο ενεργού άνθρακα, Σετ σωλήνων μονού αυλού και Προσαρμογέας μονού αυλού AirSeal. Απορρίψτε μετά τη χρήση. Οι θύρες πρόσβασης AirSeal, τα Ηχητικά καλύμματα και τα Σετ σωλήνων δεν κατασκευάζονται με λάτεξ από φυσικό καουτσούκ.

Το AirSeal iFS είναι μη αποστειρωμένο και επαναχρησιμοποιήσιμο.

Το AirSeal® αποτελεί κατατεθέν εμπορικό σήμα της CONMED Corporation.

**REG ONLX** ΠΡΟΣΟΧΗ: Η ομοσπονδιακή νομοθεσία των Ηνωμένων Πολιτειών της Αμερικής περιορίζει την πώληση της συσκευής από ιατρό ή κατόπιν εντολής ιατρού.

## PORTUGUESE

#### AirSeal® iFS

Porta de acesso AirSeal®

Ponta ótica sem lâmina, Ponta ótica sem lâmina de baixo perfil, Ponta ótica sem lâmina Palm Grip e Portas de acesso com ponta romba

Conjuntos de tubo com filtro AirSeal®

Conjunto de tubo de triplo lúmen com filtro de carvão ativado, Conjunto de tubo bifurcado de evacuação de fumo com filtro de carvão ativado, Conjunto de tubo de lúmen único com filtro

#### Visão esquemática: Ilustração e nomenclatura

<p><b>AirSeal iFS (Fig. 1)</b></p> <ul style="list-style-type: none"><li>A. Botão ON/OFF (LIGAR/DESLIGAR)</li><li>B. Ecrã tátil</li><li>C. Recetáculo para os modos AirSeal e de Evacuação de fumo</li><li>D. Alavanca para travar o conjunto de tubo no lugar</li><li>E. Conexão do tubo de insuflação para o modo de Insuflação padrão</li></ul> <p><b>Portas de acesso sem lâmina (Fig. 2/3)</b></p> <ul style="list-style-type: none"><li>A. Tampão do coletor</li><li>B. Cánula</li><li>C. Obturador de ponta ótica sem lâmina</li><li>D. Fecho da cânula</li></ul> <p><b>Portas de acesso de ponta romba (Fig. 4)</b></p> <ul style="list-style-type: none"><li>A. Tampão do coletor</li><li>B. Cánula</li><li>C. Obturador de ponta romba</li><li>D. Âncora de mola — Dispositivo de ancoragem de fixação da sutura</li></ul> <p><b>Tampa acústica opcional (Fig. 5)</b></p>	<p><b>Conjuntos de tubo (Fig. 6/7/8)</b></p> <ul style="list-style-type: none"><li>A. Filtro</li><li>B. Tubo de 8–10 ft (2,44–3,05 m)</li><li>C. Encaixe de fecho Luer</li><li>D. Montagem do adaptador para lúmen único</li><li>E. Anel de encaixe</li></ul> <p><b>Modo AirSeal (Fig. 9)</b></p> <p><b>Modo de evacuação de fumo (Fig. 10)</b></p> <p><b>Modo de insuflação padrão (Fig. 11)</b></p> <p><b>Inserção do endoscópio (Fig. 12)</b></p> <ul style="list-style-type: none"><li>A. Porta de acesso AirSeal</li><li>B. Endoscópio de tamanho adequado</li></ul> <p><b>Inserção do endoscópio (Fig. 13)</b></p> <ul style="list-style-type: none"><li>A. Um movimento de rotação durante a inserção permite reduzir a força de inserção necessária</li></ul> <p><b>Remoção do endoscópio (Fig. 14)</b></p> <ul style="list-style-type: none"><li>A. Retraia o endoscópio</li><li>B. Aperte aqui para libertar a cânula</li></ul> <p><b>Vista superior da porta de acesso AirSeal com ligação correta ao conjunto de tubos AirSeal (Fig. 15)</b></p> <ul style="list-style-type: none"><li>A. Aleta do conector alvo do conjunto de tubos</li></ul> <p><b>Vista frontal da porta de acesso AirSeal com ligação correta ao conjunto de tubos AirSeal (Fig. 16)</b></p> <ul style="list-style-type: none"><li>A. Aleta do conector alvo do conjunto de tubos</li></ul>
---	--

#### IMPORTANTE! ANTES DE USAR O PRODUTO, LEIA ATENTAMENTE A SEGUINTE INFORMAÇÃO.

Este folheto foi concebido para auxiliar na utilização deste produto. Não se trata de uma referência para técnicas cirúrgicas. Adicionalmente, deve consultar as Instruções de utilização do AirSeal iFS para obter instruções completas sobre o AirSeal iFS e todos os modos de operação.

#### INDICAÇÕES DE UTILIZAÇÃO:

O Sistema AirSeal® iFS da CONMED destina-se a utilização em procedimentos de diagnóstico e/ou procedimentos endoscópicos terapêuticos para distender uma cavidade, enchendo-a com gás, a fim de estabelecer e manter uma via de entrada hermética e desobstruída para os instrumentos endoscópicos e para evacuar fumo cirúrgico. É indicado para utilização em procedimentos abdominais, torácicos e pediátricos, nos quais é necessária insuflação para facilitar o uso de vários instrumentos toracoscópicos e laparoscópicos, através do enchimento da cavidade abdominal ou torácica com gás para a distender, do estabelecimento de um acesso hermético e desobstruído para os instrumentos, e da extração de fumo cirúrgico. Este instrumento também pode ser utilizado para insuflar o reto e o cólon, a fim de permitir monitorizações endoscópicas e intervenções diagnósticas e terapêuticas. O trocarte do Sistema AirSeal® iFS é indicado para uso com ou sem visualização.

#### O AirSeal iFS tem três modos de operação:

1. **Modo AirSeal (Fig. 9)**
2. **Modo de evacuação de fumo (Fig. 10)**
3. **Modo de insuflação padrão (Fig. 11)**

#### Modo AirSeal:

Quando usado no modo AirSeal, o AirSeal iFS é concebido para fornecer o gás CO<sub>2</sub> com pneumoperitônio e evacuação contínua de fumo durante a cirurgia laparoscópica e requer a utilização do AirSeal iFS, a Porta de acesso AirSeal e o Conjunto de tubo de triplo lúmen com filtro de carvão ativado. O Conjunto de tubo de triplo lúmen com filtro de carvão ativado é usado para ligar a Porta de acesso AirSeal ao AirSeal iFS (Fig. 9).

#### Modo de evacuação de fumo:

Quando usado no modo de Evacuação de fumo, o AirSeal iFS é concebido para fornecer o gás CO<sub>2</sub> e evacuação contínua de fumo durante a cirurgia laparoscópica e requer a utilização do AirSeal iFS, dois Trocartes convencionais (não AirSeal) com portas Luer padrão e o Conjunto de tubo bifurcado de evacuação de fumo com filtro de carvão ativado. Os dois trocartes convencionais são usados para ligar o Conjunto de tubo bifurcado de evacuação de fumo com filtro de carvão ativado para

fornecer gás CO<sub>2</sub> juntamente com uma via de Evacuação de fumo. O Conjunto de tubo bifurcado de evacuação de fumo com filtro de carvão ativado é bifurcado e liga-se aos dois trocartes convencionais e ao AirSeal IFS (Fig. 10).

#### **Modo de Insuflação padrão:**

Quando usado no modo de Insuflação padrão, o AirSeal IFS é concebido para fornecer o gás CO<sub>2</sub> e insuflação padrão durante a cirurgia laparoscópica no mesmo formato que os insufladores convencionais, e requer a utilização do AirSeal IFS, um Trocarte convencional (*não AirSeal*) com porta Luer padrão e o Conjunto de tubo de lúmen único com filtro. A porta Luer no trocarte liga-se ao Conjunto de tubo de lúmen único com filtro para fornecer insuflação padrão e gás CO<sub>2</sub>. O Conjunto de tubo de lúmen único com filtro liga um trocarte convencional ao AirSeal IFS (Fig. 11).

#### **A Porta de acesso AirSeal tem duas configurações disponíveis:**

- 1. Porta de acesso de ponta ótica sem lâmina (Figs. 2 e 3)**
- 2. Porta de acesso de ponta romba (Fig. 4)**

Se alguma das Portas de acesso da ponta ótica sem lâmina for utilizada como ponto de entrada principal, recomenda-se o uso de um laparoscópio para melhor visualização, de modo a aumentar a segurança do acesso abdominal.

#### **Os conjuntos de tubo AirSeal têm três configurações disponíveis:**

- 1. Conjunto de tubo de triplo lúmen com filtro de carvão ativado (Fig. 6)**
- 2. Conjunto de tubo bifurcado de evacuação de fumo com filtro de carvão ativado (Fig. 7)**
- 3. Conjunto de tubo de lúmen único com filtro (Fig. 8)**

Certifique-se de que o conjunto de tubo utilizado é o adequado, com base no modo selecionado no AirSeal IFS. Se o conjunto de tubo inserido não for o correto, o modo selecionado no AirSeal IFS não iniciará e será exibida uma mensagem de aviso.

Os conjuntos de tubo com filtro não foram concebidos para conter fluidos. Se houver presença de fluido no filtro, será exibida uma mensagem de aviso no ecrã tátil do AirSeal IFS. Se tal acontecer, verifique a colocação da cânula e prepare-se para substituir o conjunto de tubo.

#### **AVISOS:**

- O incumprimento das instruções de utilização pode resultar em graves consequências cirúrgicas.
- Apenas médicos qualificados com conhecimento, experiência e formação em técnicas laparoscópicas devem usar os componentes do sistema AirSeal.
- Estas instruções de utilização não incluem descrições ou instruções para técnicas cirúrgicas ou procedimentos laparoscópicos. Compete ao médico responsável pela execução do procedimento determinar a adequação do tipo de procedimento em causa à utilização dos referidos produtos, bem como determinar a técnica específica mais adequada para cada paciente.
- Os componentes contidos no sistema AirSeal só se manterão estéreis se forem utilizados antes da data de validade e se a embalagem não estiver aberta ou danificada. NÃO use após o prazo de validade ou se a embalagem estiver aberta ou danificada.
- Todos os dispositivos de uso único do Sistema AirSeal (Portas de acesso e Conjuntos de tubo) são embalados e esterilizados para utilização uma única vez num único paciente. Não reutilize, reprocesse nem reesterilize. A reutilização, o reprocessamento ou a reesterilização podem comprometer a integridade estrutural do dispositivo e/ou levar à falha do dispositivo o que, por sua vez, pode resultar em lesão, doença ou morte do paciente. Além disso, o reprocessamento ou a reesterilização de dispositivos de uso único podem criar um risco de contaminação do dispositivo e/ou infeção no paciente ou infeção cruzada, incluindo, mas não só, a transmissão de doença(s) infecciosa(s) de um paciente para outro. A contaminação do dispositivo pode resultar em lesão, doença ou morte do paciente.
- Não deve submergir a ponta da cânula em fluidos de irrigação ou fluidos corporais.
- O alarme do AirSeal IFS soará se as saídas de ventilação nos lados ou no fundo da consola de controlo estiverem obstruídas. Se o alarme soar, verifique se as saídas de ventilação estão obstruídas.
- Se as condições acima NÃO se verificarem e o alarme continuar a soar, interrompa a utilização do AirSeal IFS e devolva-o ao fabricante para reparação.

#### **PRECAUÇÕES:**

- A criação do pneumoperitонеu tem efeitos secundários fisiológicos conhecidos, incluindo a diminuição do retorno venoso, diminuição do débito cardíaco, redução da função renal, aumento da pressão intracraniana, aumento da resistência das vias aéreas e redução da complacência pulmonar.
- Apenas pessoas com formação adequada, familiaridade e competência relevante em técnicas cirúrgicas minimamente invasivas devem realizar procedimentos minimamente invasivos. Consulte a literatura médica relativa às técnicas, complicações e riscos antes de executar qualquer procedimento minimamente invasivo.
- É necessário um completo conhecimento dos princípios e técnicas envolvidos em procedimentos a laser, eletrocirúrgicos e ultrassónicos para evitar o risco de choques e queimaduras, tanto para o paciente como para a equipa médica, bem como o risco de danos no dispositivo ou outros instrumentos médicos. Certifique-se de que o isolamento elétrico ou a ligação à terra estão intactos.
- Existe uma possibilidade de arrastamento do ar nas seguintes condições:
  - Forte pressão aplicada externamente no abdómen
  - Fuga acentuada e prolongada através de outras portas convencionais existentes ou de uma incisão aberta
  - Sucção forte e prolongada
- Quando se verificam as condições descritas acima, o arrastamento do gás de insuflação com o ar é temporário e o ar arrastado será substituído pelo CO<sub>2</sub>.
- Recomenda-se que não sejam excedidas pressões de insuflação >15 mm Hg em procedimentos colorretais.
- Pressões de insuflação mais elevadas (>15 mm Hg) de dióxido de carbono podem aumentar o risco de hipercarbia, enfisema subcutâneo, pneumomediastino, pneumotórax, pneumoescreto e retenção urinária.
- Em caso da utilização da Tampa acústica (8 mm, 12 mm) opcional:
  - Inspeccione a espuma e a vedação da Tampa acústica antes da utilização.
  - Inspeccione a Tampa acústica após a utilização, procurando danos físicos de qualquer tipo.
- Tenha extremo cuidado durante a inserção da Porta de acesso AirSeal. O uso inadequado deste produto pode resultar em lesões potencialmente fatais nos órgãos internos e vasos sanguíneos.
  - Certifique-se de que é estabelecido um pneumoperitонеu ou pneumorreteo adequado
  - Certifique-se de que o paciente está posicionado corretamente, de modo que os órgãos estejam afastados do ponto de penetração
  - Afasta a ponta da Porta de acesso AirSeal de vasos e órgãos importantes
  - Tenha cuidado para que a parede exterior da Porta de acesso AirSeal esteja apenas em contacto com o tecido e não fique presa nem colida com superfícies duras, tais como outros instrumentos ou osso. O contacto prolongado ou repentino com superfícies duras pode resultar em danos ou na quebra da Porta de acesso.
  - Não exerça uma força descendente excessiva
- Apenas os instrumentos cirúrgicos manuais devem ser passados pela Porta de acesso AirSeal. NÃO insira trocartes ou instrumentos robóticos pela porta de acesso AirSeal. A utilização incorreta pode resultar em danos ou na quebra da porta de acesso.
- As características do desenho da Porta de acesso de ponta ótica sem lâmina destinam-se a minimizar a possibilidade de lesão por penetração das estruturas anatómicas subjacentes. Ainda assim, devem aplicar-se as medidas de precaução normais adotadas em todos os tipos de inserção semelhantes.
- Embora a Porta de acesso de ponta ótica sem lâmina tenha uma ponta «sem lâmina», continua a ser necessário ter cuidado, tal como com todos os dispositivos deste género, para evitar danos nos principais vasos e outras estruturas anatómicas (como o intestino ou o mesentério). Para minimizar o risco de tais lesões, certifique-se de que:
  - Estabelece um pneumoperitонеu ou pneumorreteo adequados;
  - Posiciona corretamente o paciente para ajudar a deslocar os órgãos para fora da área de penetração
  - Observa os pontos de referência anatómicos relevantes
  - Afasta a ponta da Porta de acesso AirSeal dos principais vasos e estruturas anatómicas
  - Não aplica força excessiva ou descontrolada
  - Utiliza uma técnica de entrada ótica sempre que possível.

- Assim que tiver sido atingida uma inserção parcial, será necessário aplicar muito pouca pressão para completar a inserção. Força excessiva pode causar danos nas estruturas anatómicas subjacentes.
- Uma vez feito um acesso correto por endoscopia, a Porta de acesso de ponta ótica sem lâmina não deve ser mais avançada. Neste ponto, prosseguir a inserção da Porta de acesso poderia causar lesões nas estruturas anatómicas subjacentes.
- Assim que tiver sido estabelecido um acesso seguro e correto, certifique-se de que a linha preta na ponta distal da Porta de acesso AirSeal está visível no interior da cavidade, durante todo o tempo em que a Porta de acesso do AirSeal estiver a ser utilizada para insuflação.
- Não tente fazer punções de trocarte secundárias até que o local primário e a pressão intra-abdominal recomendada (normalmente 12–18 mm Hg) estejam estabelecidos.
- Após remover a Cânula da cavidade, inspecione sempre o local para verificar a hemostasia. Se não existir hemostasia, deverão ser utilizadas as técnicas apropriadas para esse fim.
- O Conjunto de tubo de triplo lúmen com filtro de carvão ativado e o Conjunto de tubo bifurcado de evacuação de fumo com filtro de carvão ativado são equipados com sensores de fluido para monitorizar o nível de fluido nos filtros e alertar os utilizadores de uma possível contaminação do dispositivo. Se o coletor de fluidos da caixa do filtro estiver cheio até ao nível de fluido «Low» (Baixo), será exibida uma mensagem de aviso no ecrã tátil e será emitido um sinal sonoro. Verifique a posição da cânula e do tubo, para garantir que não entra mais fluido para dentro do filtro. Em seguida, volte a inserir o obturador na Porta de acesso AirSeal e troque o conjunto de tubo com filtro.
- Instrumentos ou dispositivos que entrem em contacto com fluidos corporais podem exigir um tratamento de eliminação especial para evitar a ocorrência de contaminação biológica.

## CONTRAINDICAÇÕES

A utilização deste AirSeal IFS é contraindicada quando técnicas endoscópicas minimamente invasivas são contraindicadas.

**IMPORTANTE:** Este folheto informativo destina-se a fornecer instruções de utilização. Não é uma referência ou guia de técnicas de inserção de trocarte. Uma boa utilização de um trocarte de ponta ótica sem lâmina como porta primária após a insuflação depende do reconhecimento e diferenciação das camadas de tecido. Como tal, os utilizadores principiantes devem utilizar os trocarteres de ponta ótica como porta secundária após a insuflação, a fim de adquirirem experiência e competência formal na visualização das camadas de tecido. Apenas após adquirir experiência com a técnica descrita acima é que deverá usar trocarteres de ponta ótica como porta principal após a insuflação.

**Nota:** Inspeccione visualmente o(s) sistema(s) de barreira estéril quanto a quaisquer problemas de integridade da embalagem que possam afetar a esterilidade antes da apresentação assética. Não utilize se for encontrada alguma violação no sistema de barreira estéril.

## INSTRUÇÕES DE UTILIZAÇÃO

### Instruções de utilização gerais da Porta de acesso AirSeal no modo AirSeal:

**Nota:** Consulte as Instruções de utilização do IFS para conhecer as funcionalidades associadas a versões de software específicas.

1. Ligue o AirSeal IFS pressionando o botão ON/OFF (LIGAR/DESLIGAR) (Fig. 1, A).
  2. A alavanca no AirSeal IFS deve estar na posição de cima ou UNLOCK (DESBLOQUEAR) (Fig. 1, D).
  3. Espere que a autoverificação inicial termine antes de introduzir o Conjunto de tubo de triplo lúmen com filtro.
  4. Utilizando uma técnica estéril, retire o Conjunto de tubo de triplo lúmen com filtro da embalagem. Para evitar danos, não deite o instrumento no campo estéril.
  5. Introduza a caixa do filtro do Conjunto de tubo de triplo lúmen no Recetáculo do conjunto de tubo localizado na parte da frente do AirSeal IFS (Fig. 1, C).
  6. Empurre a alavanca para baixo até à posição LOCK (BLOQUEAR) (Fig. 9), e o modo AirSeal arrancará automaticamente.
- Nota:** Se o modo AirSeal Pediátrico estiver ativado, ser-lhe-á solicitado que escolha entre o modo AirSeal Adulto ou Pediátrico. Consulte as Instruções de utilização do AirSeal IFS para obter informações mais detalhadas sobre o modo Pediatric (Pediátrico) AirSeal.
7. Verifique no menu do ecrã tátil do AirSeal IFS se o nível de fornecimento de gás é suficiente (Fig. 1, B).
  8. Seleccione os parâmetros de fluxo e pressão desejados para o paciente. Prima o botão «Confirm» (Confirmar) para validar os parâmetros do paciente.

**Veja mais instruções abaixo para a Inserção de agulha de Veress utilizando a Porta de acesso de ponta ótica sem lâmina. Esta técnica não é utilizada para inserções abdominais com Ponta romba (tipo Hasson). Se não for utilizada uma técnica de inserção de agulha de Veress, avance para o passo 9.**

- O Adaptador para lúmen único é pré-ligado ao Conjunto de tubo de triplo lúmen com filtro de carvão ativado.
- Ligue o Adaptador para lúmen único à porta Luer da agulha de Veress e insira de acordo com as instruções do fabricante.
- Defina os valores de fluxo e pressão desejados no ecrã tátil do AirSeal IFS.
- Prima o botão «Start» (Iniciar) no ecrã tátil do AirSeal IFS para começar a Insuflação inicial.
- Após a Insuflação inicial ter sido atingida, desligue o Conjunto de tubo de triplo lúmen com filtro de carvão ativado do Adaptador para lúmen único.
- Remova a agulha de Veress.

**Se a Porta de acesso AirSeal não for o primeiro trocarte a ser colocado, mantenha o Adaptador para lúmen único ligado ao Conjunto de tubo de triplo lúmen com filtro de carvão ativado e transfira o Adaptador para lúmen único para a porta Luer do primeiro trocarte convencional colocado. Não remova o Adaptador para lúmen único antes de a Porta de acesso AirSeal ter sido inserida.**

9. Utilizando uma técnica estéril, retire a Porta de acesso AirSeal e a Tampa acústica opcional (8 mm, 12 mm) da embalagem. Para evitar danos, não deite o instrumento no campo estéril.
10. A porta de acesso AirSeal (obturador e cânula) é fornecida pré-montada na embalagem, ou seja, não é necessária nenhuma montagem posterior. Nota: Caso seja necessário montar a Porta de acesso, introduza o obturador na cânula até que encaixem firmemente.
11. Certifique-se de que o obturador e a cânula estão montados corretamente. **Nota:** Se estiver a utilizar a Porta de acesso com ponta romba, certifique-se de que a Âncora de mola também está colocada (Fig. 4, D).
12. Faça uma incisão usando os procedimentos cirúrgicos padrão. (Nota: O tamanho da incisão deve comportar o diâmetro da cânula. Uma incisão inadequada pode provocar um aumento da resistência à inserção, aumentando a força de penetração necessária e, possivelmente, resultando em perda de controlo durante a entrada.)

**A Porta de acesso montada está pronta para ser inserida. Se estiver a utilizar a Porta de acesso com ponta romba, use uma técnica laparoscópica apropriada (entrada tipo Hasson).**

13. Introduza o conjunto da Porta de acesso através da incisão na pele, fazendo um movimento de rotação de 30° a 90°. Exerça uma pressão descendente contínua e controlada no manípulo.
14. Certifique-se de que a Porta de acesso está devidamente inserida. Não remova o obturador da cânula neste ponto. **Nota:** Se estiver a utilizar a Porta de acesso com ponta romba, a Âncora de mola deve ser fixada ao abdómen do paciente por meio de suturas, da forma habitual.
15. Certifique-se de que a linha preta na ponta distal da Porta de acesso AirSeal está visível no interior da cavidade, durante todo o tempo em que a Porta de acesso do AirSeal estiver a ser utilizada para insuflação.
16. Remova o tampão do coletor da parte lateral da cânula na porta de acesso AirSeal, ligue a extremidade distal do conjunto de tubo de triplo lúmen com filtro de carvão ativado ao coletor da cânula e aperte. **Nota:** Se o conjunto de tubos e a porta de acesso AirSeal não estiverem devidamente apertados, a leitura da pressão no dispositivo pode não refletir a pressão sentida pelo doente. Uma ligação segura pode ser visualmente confirmada quando uma das aletas brancas do conector alvo do conjunto de tubos se alinha diretamente com a parte superior da porta de acesso (Fig. 15). Ao olhar diretamente para o conector alvo da porta de acesso enquanto o conjunto de tubos está ligado, uma das aletas da peça conectora do conjunto de tubos deve ficar diretamente na vertical em relação à porta de acesso (Fig. 16).
17. O AirSeal será ativado automaticamente. Não mova o obturador até ouvir o sinal sonoro e a mensagem verde «AirSeal active» (AirSeal ativado) ser exibida.
18. Remova o obturador da cânula, apertando os botões do fecho do obturador para libertar os dois dispositivos. **Nota:** A Porta de acesso com ponta romba não possui botões no fecho, pelo que pode ser removida simplesmente puxando o obturador para fora da cânula.

- Quando o modo AirSeal estiver ativado e o obturador tiver sido removido da cânula AirSeal, o fluxo será automático. **Nota:** O nível de evacuação de fumo pode ser definido como «High» (Alto) ou «Low» (Baixo).
- Se desejado, a Tampa acústica opcional (8 mm, 12 mm) poderá ser colocada na cânula neste momento. **(Nota:** Se estiver a utilizar a Tampa acústica opcional, deve ter cuidado ao inserir um dispositivo afiado ou grande através da cânula. A Tampa acústica opcional pode ser removida da cânula em qualquer altura durante o procedimento e deve ser removida antes de inserir quaisquer objetos afiados ou grandes na cânula.)
- Após a conclusão do procedimento, prima o botão «STOP» (PARAR) no ecrã tátil para interromper a insuflação do AirSeal **(Nota:** isto resultará na perda do pneumoperitônio). Utilizando uma técnica laparoscópica padrão, remova todos os dispositivos cirúrgicos e feche os locais de porta aplicáveis como habitual. **Nota:** Quando o procedimento estiver concluído, o modo AirSeal fará uma calibração final antes de se desligar. Durante este processo, não é criada nenhuma pressão ou insuflação. Aguarde pela conclusão da calibração final antes de remover o Conjunto de tubo de triplo lúmen com filtro de carvão ativado ou de desligar o iFS.
- Mova a alavanca no AirSeal iFS para a posição de cima ou UNLOCK (DESBLOQUEAR).
- Remova o Conjunto de tubo de triplo lúmen com filtro de carvão ativado do Recetáculo do AirSeal iFS.
- Uma vez que o teste de funcionamento é realizado durante o arranque inicial, a unidade deve ser submetida a um ciclo de alimentação (desligar/ligar) antes de cada cirurgia.

#### **Veja mais instruções abaixo para a inserção de Porta de acesso de ponta ótica sem lâmina com utilização de um Endoscópio.**

**Nota: Consulte as Instruções de utilização do iFS para conhecer as funcionalidades associadas a versões de software específicas.**

- Ligue o endoscópio de 0° à fonte de luz e ao monitor, conforme indicado nas instruções do fabricante. Verifique se o endoscópio está bem ligado e certifique-se de que a imagem no monitor é nítida.
- Introduza o endoscópio na abertura, na extremidade proximal do manipulador da Porta de acesso de ponta ótica sem lâmina, até atingir a ponta distal da Porta de acesso. (Inserção do endoscópio; Fig. 12).
- Rode o endoscópio conforme desejado. (Inserção do endoscópio; Fig. 13).
- Para obter uma imagem nítida no monitor, insira o endoscópio no manipulador da Porta de acesso de ponta ótica sem lâmina, toque com a ponta ótica numa superfície mole adequada e foque a câmara.
- Faça uma incisão usando os procedimentos cirúrgicos padrão. **(Nota:** O tamanho da incisão deve comportar o diâmetro da cânula. Uma incisão inadequada pode provocar um aumento da resistência à inserção, aumentando a força de penetração necessária e, possivelmente, resultando em perda de controlo durante a entrada.) Introduza o conjunto da Porta de acesso através da incisão na pele, fazendo um movimento de rotação de 30° a 90°. Exercer uma pressão descendente contínua e controlada no manipulador.
- Durante a inserção da Porta de acesso, visualize a penetração da Porta de acesso através dos planos de tecidos individuais utilizando o laparoscópio. Os planos de tecidos individuais podem ser visualizados à medida que a Porta de acesso avança.
- Remova o laparoscópio da Porta de acesso de ponta ótica sem lâmina (remoção do endoscópio; Fig. 14).
- Continue o procedimento de acordo com as instruções acima, começando no passo 13.

#### **INSTRUÇÕES DE UTILIZAÇÃO**

##### **Instruções de utilização da Porta de acesso AirSeal no modo AirSeal em aplicações transanais:**

**Nota: Consulte as Instruções de utilização do iFS para conhecer as funcionalidades associadas a versões de software específicas.**

- Ligue o AirSeal iFS pressionando o botão ON/OFF (LIGAR/DESLIGAR) (Fig. 1, A).
- A alavanca no AirSeal iFS deve estar na posição de cima ou UNLOCK (DESBLOQUEAR) (Fig. 1, D).
- Espreze que a autoverificação inicial termine antes de introduzir o Conjunto de tubo de triplo lúmen com filtro.
- Utilizando uma técnica estéril, retire o Conjunto de tubo de triplo lúmen com filtro da embalagem. Para evitar danos, não deite o instrumento no campo estéril.
- Introduza a caixa do filtro do Conjunto de tubo de triplo lúmen no Recetáculo do conjunto de tubo localizado na parte da frente do AirSeal iFS (Fig. 1, C).
- Empurre a alavanca para baixo até à posição LOCK (BLOQUEAR) (Fig. 9), e o modo AirSeal arrancará automaticamente. **Nota:** Se o modo AirSeal Pediátrico estiver ativado, ser-lhe-á solicitado que escolha entre o modo AirSeal Adulto ou Pediátrico. Consulte as Instruções de utilização do AirSeal iFS para obter informações mais detalhadas sobre o modo Pediatric (Pediátrico) AirSeal.
- Verifique no menu do ecrã tátil do AirSeal iFS se o nível de fornecimento de gás é suficiente (Fig. 1, B).
- Selecione os parâmetros de fluxo e pressão desejados para o paciente. Prima o botão «Confirm» (Confirmar) para validar os parâmetros do paciente.
- Utilizando uma técnica estéril, retire a Porta de acesso AirSeal e a Tampa acústica opcional (8 mm, 12 mm) da embalagem. Para evitar danos, não deite o instrumento no campo estéril.
- A porta de acesso AirSeal (obturador e cânula) é fornecida pré-montada na embalagem, ou seja, não é necessária nenhuma montagem posterior. **Nota:** Caso seja necessário montar a Porta de acesso, introduza o obturador na cânula até que encaixem firmemente.
- Certifique-se de que o obturador e a cânula estão montados corretamente.
- Siga as instruções de utilização fornecidas pelo fabricante do dispositivo de plataforma de acesso transanal escolhido para colocação no reto.
- Insira a Porta de acesso no dispositivo de plataforma de acesso transanal através da posição adequada do lúmen ou da cânula. Ao inserir a Porta de acesso no dispositivo de plataforma de acesso transanal, faça-o utilizando um movimento de rotação de 30° a 90°. Exercer uma pressão axial contínua e controlada na Porta de acesso até que esteja fixada no dispositivo de plataforma de acesso transanal.
- Certifique-se de que o obturador e a cânula estão inseridos corretamente. Não remova o obturador do conjunto da cânula neste momento.
- Remova o tampão do coletor da parte lateral da cânula na porta de acesso AirSeal, ligue a extremidade distal do conjunto de tubo de triplo lúmen com filtro de carvão ativado ao coletor da cânula e aperte. **Nota:** Se o conjunto de tubos e a porta de acesso AirSeal não estiverem devidamente apertados, a leitura da pressão no dispositivo pode não refletir a pressão sentida pelo doente. Uma ligação segura pode ser visualmente confirmada quando uma das aletas brancas do conector alvo do conjunto de tubos se alinha diretamente com a parte superior da porta de acesso (Fig. 15). Ao olhar diretamente para o conector alvo da porta de acesso enquanto o conjunto de tubos está ligado, uma das aletas da peça conectora do conjunto de tubos deve ficar diretamente na vertical em relação à porta de acesso (Fig. 16).
- O AirSeal será ativado automaticamente. Não mova o obturador até ouvir o sinal sonoro e a mensagem verde «AirSeal active» (AirSeal ativado) ser exibida.
- Remova o obturador da cânula, apertando os botões do fecho do obturador para libertar os dois dispositivos.
- Quando o modo AirSeal estiver ativado e o obturador tiver sido removido da cânula AirSeal, o fluxo será automático. **Nota:** O nível de evacuação de fumo pode ser definido como «High» (Alto) ou «Low» (Baixo).
- Se desejado, a Tampa acústica opcional (8 mm, 12 mm) poderá ser colocada na cânula neste momento. **(Nota:** Se estiver a utilizar a Tampa acústica opcional, deve ter cuidado ao inserir um dispositivo afiado ou grande através da cânula. A Tampa acústica opcional pode ser removida da cânula em qualquer altura durante o procedimento e deve ser removida antes de inserir qualquer objeto afiado ou grande na cânula.)
- Após a conclusão do procedimento, prima o botão «STOP» (PARAR) no ecrã tátil para interromper a insuflação do AirSeal **(Nota:** isto resultará na perda do pneumoperitônio). Utilizando uma técnica laparoscópica padrão, remova todos os dispositivos cirúrgicos e feche os locais de porta aplicáveis como habitual. **Nota:** Quando o procedimento estiver concluído, o modo AirSeal fará uma calibração final antes de se desligar. Durante este processo, não é criada nenhuma pressão ou insuflação. Aguarde pela conclusão da calibração final antes de remover o Conjunto de tubo de triplo lúmen com filtro de carvão ativado ou de desligar o iFS.
- Mova a alavanca no AirSeal iFS para a posição de cima ou UNLOCK (DESBLOQUEAR).
- Remova o Conjunto de tubo de triplo lúmen com filtro de carvão ativado do Recetáculo do AirSeal iFS.
- Uma vez que o teste de funcionamento é realizado durante o arranque inicial, a unidade deve ser submetida a um ciclo de alimentação (desligar/ligar) antes de cada cirurgia.

##### **Instruções de utilização gerais para os modos de Evacuação de fumo e de Insuflação padrão:**

##### **INSUFLAÇÃO INICIAL COM AGULHA DE VERESS**

**Nota: Consulte as Instruções de utilização do iFS para conhecer as funcionalidades associadas a versões de software específicas.**

- Ligue o AirSeal iFS pressionando o botão ON/OFF (LIGAR/DESLIGAR) (Fig. 1, A).
- Após a conclusão da autoverificação de diagnóstico, selecione o modo de Evacuação de fumo ou o modo de Insuflação padrão no ecrã tátil, na lista de seleção de modos no AirSeal iFS (Fig. 1, B).
- Verifique no menu do ecrã tátil do AirSeal iFS se o nível de fornecimento de gás é suficiente (Fig. 1, B).

- Ligue o conjunto de tubo adequado ao AirSeal IFS (consulte as instruções específicas abaixo sobre como ligar o Conjunto de tubo bifurcado de evacuação de fumo com filtro de carvão ativado).  
**Nota:** Ao contrário dos outros conjuntos de tubo, o conjunto de tubo de lúmen único é ligado ao conector de tubo de insuflação na frente do AirSeal IFS.
- Ligue o conector de fecho Luer do conjunto de tubo à ponta de uma agulha de Veress ou a um trocarte convencional, da forma habitual. (Consulte as instruções específicas abaixo sobre como ligar o Conjunto de tubo bifurcado de evacuação de fumo com filtro de carvão ativado).
- Defina os valores de fluxo e pressão desejados no ecrã tátil do AirSeal IFS. Prima o botão «Confirm» (Confirmar) para validar os parâmetros do paciente.
- Prima o botão «Start» (Iniciar) no ecrã tátil do AirSeal IFS para começar a Insuflação inicial.
- Após a Insuflação inicial ter sido atingida, **insira o Trocarte convencional com portas Luer padrão.**
- Após a conclusão do procedimento, prima o botão «STOP» (PARAR) no ecrã tátil para interromper a insuflação (**Nota:** isto resultará na perda do pneumoperitoneu). Utilizando uma técnica laparoscópica padrão, remova todos os dispositivos cirúrgicos e feche os locais de porta aplicáveis como habitual.
- Remova o Conjunto de tubo do AirSeal IFS (consulte as instruções específicas abaixo sobre como remover o Conjunto de tubo bifurcado de evacuação de fumo com filtro de carvão ativado).
- Uma vez que o teste de funcionamento é realizado durante o arranque inicial, a unidade deve ser submetida a um ciclo de alimentação (desligar/ligar) antes de cada cirurgia.

#### **Veja mais instruções abaixo para o Conjunto de tubo bifurcado de evacuação de fumo com filtro de carvão ativado**

#### **Para utilização com dois trocartes convencionais com portas Luer padrão e o Conjunto de tubo bifurcado de evacuação de fumo com filtro de carvão ativado.**

Tubo transparente: Insuflação

Tubo azul: Evacuação de fumo

#### **Ligar o Conjunto de tubo bifurcado de evacuação de fumo com filtro de carvão ativado**

#### **Nota: Consulte as Instruções de utilização do IFS para conhecer as funcionalidades associadas a versões de software específicas.**

- A alavanca no AirSeal IFS deve estar na posição de cima ou UNLOCK (DESBLOQUEAR) (Fig. 1, D).
- Introduza a caixa do filtro do Conjunto de tubo bifurcado de evacuação de fumo com filtro de carvão ativado no Recetáculo do conjunto de tubo localizado na parte da frente do AirSeal IFS (Fig. 1, C).
- Empurre a alavanca para baixo até à posição LOCK (BLOQUEAR).
- Prenda a agulha de Veress ao conector de fecho Luer do tubo transparente no Conjunto de tubo bifurcado de evacuação de fumo com filtro de carvão ativado.
- Defina os valores de fluxo e pressão desejados no ecrã tátil do AirSeal IFS. Prima o botão «Confirm» (Confirmar) para validar os parâmetros do paciente.
- Prima o botão «Start» (Iniciar) no ecrã tátil do AirSeal IFS para começar a Insuflação inicial.
- Certifique-se de que as cânulas estão inseridas corretamente.
- Remova a agulha de Veress e separe-a do Conjunto de tubo bifurcado de evacuação de fumo com filtro de carvão ativado.
- Ligue o conector de fecho Luer do tubo **TRANSPARENTE** do Conjunto de tubo bifurcado de evacuação de fumo com filtro de carvão ativado à cânula convencional. Abra a válvula/torneira de fluxo de entrada.
- Siga as instruções no ecrã tátil do AirSeal IFS. Quando indicado, ligue o conector de fecho Luer do tubo **AZUL** do Conjunto de tubo bifurcado de evacuação de fumo com filtro de carvão ativado a outra cânula convencional. A insuflação permanece ativa.
- Quando o fecho Luer do conector do tubo **AZUL** do Conjunto de tubo bifurcado de evacuação de fumo com filtro de carvão ativado estiver ligado à segunda cânula convencional, a evacuação de fumo será ativada.

**INCIDENTES GRAVES** — Comunique imediatamente quaisquer incidentes graves com a utilização deste dispositivo ao Departamento do Serviço de apoio ao cliente da CONMED ou ao seu representante local da CONMED. E-mail: CustomerExperience@CONMED.com

#### **Remover o Conjunto de tubo bifurcado de evacuação de fumo com filtro de carvão ativado**

#### **Nota: Consulte as Instruções de utilização do IFS para conhecer as funcionalidades associadas a versões de software específicas.**

- Após a conclusão do procedimento, prima o botão «STOP» (PARAR) no ecrã tátil para interromper a insuflação (**Nota:** isto resultará na perda do pneumoperitoneu). Utilizando uma técnica laparoscópica padrão, remova todos os dispositivos cirúrgicos e feche os locais de porta aplicáveis como habitual.
- Mova a alavanca no AirSeal IFS para a posição de cima ou UNLOCK (DESBLOQUEAR).
- Remova o Conjunto de tubo bifurcado de evacuação de fumo com filtro de carvão ativado do Recetáculo do AirSeal IFS.
- Uma vez que o teste de funcionamento é realizado durante o arranque inicial, a unidade deve ser submetida a um ciclo de alimentação (desligar/ligar) antes de cada cirurgia.

#### **ELIMINAÇÃO**

Elimine o dispositivo de acordo com os requisitos hospitalares locais.

#### **APRESENTAÇÃO**

Os produtos Porta de acesso ótico AirSeal, Porta de acesso de baixo perfil AirSeal, Tampa acústica opcional (8 mm, 12 mm), Porta de acesso com ponta romba AirSeal, Cânula AirSeal, Conjunto de tubo bifurcado de evacuação de fumo com filtro de carvão ativado, Conjunto de tubo de triplo lúmen com filtro de carvão ativado, Conjunto de tubo de lúmen único e Adaptador para lúmen único AirSeal são fornecidos estéreis através de esterilização por radiação gama para uso num único paciente. Elimine após a utilização. As Portas de acesso AirSeal, as Tampas acústicas e os Conjuntos de tubo não são feitos com látex de borracha natural.

O AirSeal IFS não é estéril e pode ser reutilizado.

AirSeal® é uma marca registada da CONMED Corporation.

**Rx ONLY** CUIDADO: A legislação federal (E.U.A.) apenas permite a venda deste dispositivo a médicos ou mediante prescrição médica.

**AirSeal® IFS**

Porta de acesso **AirSeal®**

Ponta óptica sem lâmina, Ponta óptica sem lâmina de baixo perfil, Ponta óptica sem lâmina Palm Grip e Portas de acesso com ponta romba

Conjuntos de tubo com filtro **AirSeal®**

Conjunto do tubo de triplo lúmen com filtro de carvão ativado, Conjunto do tubo de evacuação de fumaça bifurcado com filtro de carvão ativado, Conjunto do tubo de lúmen único com filtro

**Visão esquemática: Ilustração e nomenclatura**

<p><b>AirSeal IFS (Fig. 1)</b></p> <p>A. Botão ON/OFF (LIGAR/DESLIGAR)</p> <p>B. Tela de toque</p> <p>C. Receptáculo para os modos AirSeal e evacuação de fumaça</p> <p>D. Alavanca para travar o conjunto do tubo no lugar</p> <p>E. Conexão de tubo de insuflação para o modo de insuflação padrão</p> <p><b>Portas de acesso sem lâmina (Fig. 2/3)</b></p> <p>A. Plugue do coletor</p> <p>B. Cânula</p> <p>C. Obturador de ponta óptica sem lâmina</p> <p>D. Trava da cânula</p> <p><b>Portas de acesso com ponta romba (Fig. 4)</b></p> <p>A. Plugue do coletor</p> <p>B. Cânula</p> <p>C. Obturador de ponta romba</p> <p>D. Âncora da mola — Dispositivo de ancoragem de fixação da sutura</p> <p><b>Tampa redutora de ruídos opcional (Fig. 5)</b></p>	<p><b>Conjuntos de tubo (Fig. 6/7/8)</b></p> <p>A. Filtro</p> <p>B. Tubo 8–10 pés (2,44–3,05 m)</p> <p>C. Encaixe Luer Lock</p> <p>D. Montagem do adaptador de lúmen único</p> <p>E. Anel de encaixe</p> <p><b>Modo AirSeal (Fig. 9)</b></p> <p><b>Modo de evacuação de fumaça (Fig. 10)</b></p> <p><b>Modo de insuflação padrão (Fig. 11)</b></p> <p><b>Inserção do endoscópio (Fig. 12)</b></p> <p>A. Porta de acesso do AirSeal</p> <p>B. Endoscópio de tamanho adequado</p> <p><b>Inserção do endoscópio (Fig. 13)</b></p> <p>A. Um movimento de rotação durante a inserção facilitará a força de inserção</p> <p><b>Remoção do endoscópio (Fig. 14)</b></p> <p>A. Retraia o endoscópio</p> <p>B. Pressione aqui para liberar a cânula</p> <p><b>Vista superior da porta de acesso AirSeal com conexão adequada ao conjunto de tubos AirSeal (Fig. 15)</b></p> <p>A. Conjunto de tubos de conector alvo com aleta</p> <p><b>Vista frontal da porta de acesso AirSeal com conexão adequada ao conjunto de tubos AirSeal (Fig. 16)</b></p> <p>A. Conjunto de tubos de conector alvo com aleta</p>
---	---

**IMPORTANTE! ANTES DE USAR O PRODUTO, LEIA ATENTAMENTE A SEGUINTE INFORMAÇÃO.**

Este folheto foi concebido para auxiliar na utilização deste produto. Não se trata de uma referência para técnicas cirúrgicas. Além disso, consulte as Instruções de uso do AirSeal IFS para obter instruções completas sobre o AirSeal IFS e todos os modos de operação.

**INDICAÇÕES DE USO:**

O Sistema CONMED AirSeal® IFS é projetado para uso em diagnósticos e/ou procedimentos endoscópicos terapêuticos para dilatar uma cavidade, enchendo-a com gás, a fim de criar e manter uma via sem obstrução e vedada por gás para a entrada de instrumentos endoscópicos e para aspirar fumaça cirúrgica. Ele é indicado para uso em procedimentos abdominais, torácicos e pediátricos em que a insuflação é desejada para facilitar o uso de vários instrumentos laparoscópicos e toracoscópicos ao permitir o enchimento do abdômen ou da cavidade torácica com gás para os distender, bem como para conseguir e manter um acesso hermético e sem restrições ao instrumento e aspirar fumaça cirúrgica. O instrumento também pode ser usado para insuflar o reto e o cólon a fim de facilitar a observação endoscópica, o diagnóstico e o tratamento. O trocarte do Sistema AirSeal® IFS é indicado para uso com ou sem visualização.

**O AirSeal IFS tem três modos de operação:**

1. **Modo AirSeal (Fig. 9)**
2. **Modo de evacuação de fumaça (Fig. 10)**
3. **Modo de insuflação padrão (Fig. 11)**

**Modo AirSeal:**

Quando usado no modo AirSeal, o AirSeal IFS é projetado para fornecer gás CO<sub>2</sub> com pneumoperitônio estável e evacuação de fumaça contínua durante a cirurgia laparoscópica e requer o uso do AirSeal IFS, porta de acesso do AirSeal e conjunto do tubo de triplo lúmen com filtro de carvão ativado. O conjunto do tubo de triplo lúmen com filtro de carvão ativado é usado para conectar a porta de acesso do AirSeal ao AirSeal IFS (Fig. 9).

**Modo de Evacuação de Fumaça:**

Quando usado no Modo de Evacuação de Fumaça, o AirSeal IFS é projetado para fornecer gás CO<sub>2</sub> e evacuação contínua de fumaça durante a cirurgia laparoscópica, e requer o uso do AirSeal IFS, de dois trocartes convencionais (não AirSeal) com portas Luer padrão e do conjunto do tubo de evacuação de fumaça bifurcado com filtro de carvão ativado. Os dois trocartes convencionais são usados para conectar o conjunto do tubo de evacuação de fumaça bifurcado com filtro de carvão ativado para fornecer gás CO<sub>2</sub> junto à via de evacuação de fumaça. O conjunto do tubo de evacuação de fumaça bifurcado com filtro de carvão ativado é bifurcado e se conecta aos dois trocartes convencionais e ao AirSeal IFS (Fig. 10).

**Modo de Insuflação padrão:**

Quando usado no Modo de Insuflação Padrão, o AirSeal IFS é projetado para fornecer gás CO<sub>2</sub> e insuflação padrão durante a cirurgia laparoscópica no mesmo formato que os insufladores convencionais, e requer o uso do AirSeal IFS, de um trocarte convencional (*Não AirSeal*) com porta Luer padrão e do conjunto do tubo de lúmen único com filtro. A porta Luer no trocarte se conecta ao conjunto do tubo de lúmen único com filtro para fornecer insuflação padrão e gás CO<sub>2</sub>. O conjunto do tubo de lúmen único com filtro conecta um trocarte convencional ao AirSeal IFS (Fig. 11).

**A porta de acesso do AirSeal tem duas configurações disponíveis:**

1. **Porta de acesso de ponta óptica sem lâmina (Fig. 2 e Fig. 3)**
2. **Porta de Acesso de Ponta Romba (Fig. 4)**

Se alguma das portas de acesso da ponta óptica sem lâmina for usada como acesso primário, será recomendado o uso de um laparoscópio para visualização, de modo a aumentar a segurança do acesso abdominal.

**Os conjuntos de tubo AirSeal têm três configurações disponíveis:**

1. **Conjunto do tubo de triplo lúmen com filtro de carvão ativado (Fig. 6)**
2. **Conjunto do tubo de evacuação de fumaça bifurcado com filtro de carvão ativado (Fig. 7)**
3. **Conjunto do tubo de lúmen único com filtro (Fig. 8)**

Certifique-se de que o conjunto do tubo adequado está sendo usado, baseado no modo selecionado no AirSeal IFS. O modo selecionado no AirSeal IFS não iniciará e uma mensagem de aviso aparecerá caso o conjunto do tubo errado esteja inserido.

Os conjuntos de tubo com filtro não são projetados para receber fluido. Se houver presença de fluido no filtro, uma mensagem de aviso aparecerá na tela de toque do AirSeal IFS. Caso isso ocorra, verifique a colocação da cânula e se prepare para substituir o conjunto do tubo.

## ADVERTÊNCIAS:

- A não observação das instruções de uso pode levar a consequências cirúrgicas graves.
- Apenas médicos qualificados com conhecimento, experiência e treinamento em técnicas laparoscópicas devem usar os componentes do sistema AirSeal.
- Essas instruções de uso não incluem descrições ou instruções de técnicas cirúrgicas ou procedimentos laparoscópicos. É de responsabilidade do médico que realiza qualquer procedimento determinar a adequação do tipo de procedimento a ser realizado com o uso desses produtos e a técnica específica para cada paciente.
- Os componentes contidos no sistema AirSeal serão estéreis somente se forem usados antes da data de validade e se a embalagem não for aberta nem danificada. NÃO use após a data de validade ou se a embalagem estiver aberta ou danificada.
- Todos os dispositivos do sistema AirSeal de uso único (portas de acesso e conjuntos de tubo) são embalados e esterilizados para uso em um único paciente. Não reutilize, reprocesse nem reesterilize. A reutilização, o reprocessamento ou a reesterilização podem comprometer a integridade estrutural do dispositivo e/ou levar à falha do dispositivo que, por sua vez, pode resultar em lesão, doença ou morte do paciente. Além disso, o reprocessamento ou a reesterilização de dispositivos de uso único podem criar um risco de contaminação do dispositivo e/ou causar infecção no paciente ou infecção cruzada, incluindo, mas não se limitando, à transmissão de doenças infecciosas de um paciente para outro. A contaminação do dispositivo pode levar à lesão, doença ou morte do paciente.
- Não mergulhe a ponta da cânula em irrigação ou fluidos corporais.
- O alarme do AirSeal IFS soará se os ventiladores forem bloqueados nas laterais ou na parte inferior do console de controle. Se o alarme soar, verifique se há bloqueio dos ventiladores.
- Se as condições acima NÃO estiverem presentes e o alarme continuar soando, interrompa o uso do AirSeal IFS e envie ao fabricante para manutenção.

## PRECAUÇÕES:

- A criação do pneumoperitônio tem efeitos colaterais fisiológicos conhecidos, incluindo a diminuição do retorno venoso, diminuição do débito cardíaco, redução da função renal, aumento da pressão intracraniana, aumento da resistência das vias aéreas e redução da complacência pulmonar.
- Somente pessoas com o treinamento adequado, familiaridade e competência pertinente com técnicas cirúrgicas minimamente invasivas devem realizar procedimentos minimamente invasivos. Consulte a literatura médica relativa a técnicas, complicações e perigos antes de realizar qualquer procedimento minimamente invasivo.
- A compreensão dos princípios e técnicas envolvidas em procedimentos a laser, eletrocirúrgicos e de ultrassom é essencial para evitar choques e queimaduras, tanto para o paciente quanto para a equipe médica, ou danos ao dispositivo e a outros instrumentos médicos. Certifique-se de que o isolamento elétrico ou aterramento não estejam comprometidos.
- A possibilidade de deslocamento de ar existe sob as seguintes condições:
  - Pressão severa aplicada na parte externa do abdômen
  - Vazamento severo e prolongado através de outras portas convencionais ou de uma incisão aberta
  - Sucção severa e prolongada
- Durante as condições descritas acima, o deslocamento do gás de insuflação com ar é temporário e o ar deslocado será substituído por CO<sub>2</sub>. É recomendado não exceder pressão de insuflação >15 mmHg em procedimentos colorretais.
- Pressões de insuflação mais elevadas (>15 mmHg) de dióxido de carbono podem aumentar o risco de hiper carbacia, enfisema subcutâneo, pneumomediastino, pneumotórax, pneumoescreto e retenção urinária.
- No caso do uso da tampa redutora de ruídos (8 mm, 12 mm) opcional:
  - Inspeção a espuma e o lacre da tampa redutora de ruídos antes da utilização.
  - Inspeção a tampa redutora de ruídos após a utilização, procurando danos físicos de qualquer espécie.
- Tenha muito cuidado durante a inserção da porta de acesso do AirSeal. O uso impróprio deste produto pode resultar em lesão potencialmente fatal a vasos e órgãos internos.
  - Certifique-se de estabelecer o pneumoperitônio ou pneumorreto adequado
  - Certifique-se de que o paciente esteja adequadamente posicionado, de modo que os órgãos estejam afastados do local de inserção
  - Direcione a ponta da porta de acesso do AirSeal para longe de órgãos e vasos importantes
  - Tome cuidado para que a parede externa da porta de acesso do AirSeal esteja apenas em contato com o tecido e não fique presa entre superfícies duras nem colida com superfícies duras, como outros instrumentos ou ossos. O contato prolongado ou repentino com superfícies duras pode resultar em danos ou quebra da porta de acesso.
  - Não aplique força excessiva para baixo
- Somente instrumentos cirúrgicos manuais devem ser passados pela porta de acesso do AirSeal. NÃO insira trocarteros ou instrumentos robóticos na porta de acesso do AirSeal. O uso inadequado pode resultar em danos ou quebra da porta de acesso.
- Os recursos da porta de acesso de ponta óptica sem lâmina são projetados para minimizar a possibilidade de lesão por penetração em estruturas anatômicas subjacentes. No entanto, as medidas de precaução padrão empregadas em todos esses tipos de inserções devem ser observadas.
- Embora a porta de acesso de ponta óptica sem lâmina tenha uma ponta "sem lâmina", ainda se deve tomar cuidado, bem como com todos esses tipos de dispositivos, a fim de evitar danos à grandes vasos e outras estruturas anatômicas (como intestinos ou mesentério). Para minimizar o risco de tais ferimentos, não se esqueça de:
  - Estabelecer pneumoperitônio ou pneumorreto adequado;
  - Posicionar adequadamente o paciente para ajudar a deslocar órgãos para fora da área de penetração
  - Observar os pontos de referência anatômicos importantes
  - Direcionar a ponta da porta de acesso do AirSeal para longe de grandes vasos e órgãos
  - Não aplicar força excessiva ou sem controle
  - Usar a técnica de entrada óptica sempre que possível.
- Uma vez que o acesso parcial tiver sido realizado, uma força muito pequena será necessária para completar a inserção. Força excessiva pode provocar lesão a estruturas anatômicas subjacentes.
- Uma vez que o acesso correto tenha sido feito por endoscopia, a porta de acesso de ponta óptica sem lâmina não deve ser avançada por penetração adicional. Nesse ponto, prosseguir a inserção da porta de acesso pode causar lesão a estruturas anatômicas subjacentes.
- Uma vez que um acesso seguro e adequado tenha sido obtido, certifique-se de que a linha preta na ponta distal da porta de acesso do AirSeal esteja visível junto à cavidade a todo momento em que a porta de acesso do AirSeal for usada para insuflação.
- Não tente punções de trocarce secundárias até que o local da incisão principal e a pressão intra-abdominal (normalmente 12–18 mmHg) recomendada estejam estabilizados.
- Após a remoção da cânula da cavidade, sempre inspeção o local para verificar a hemostasia. Se a hemostasia não estiver presente, técnicas adequadas deverão ser usadas para garantir a hemostasia.
- O conjunto do tubo de triplo lúmen com filtro de carvão ativado e o conjunto do tubo de evacuação de fumaça bifurcado com filtro de carvão ativado são equipados com sensores de fluido para monitorar o nível de fluido nos filtros e para alertar os usuários de uma possível contaminação do dispositivo. Se o coletor de fluidos do corpo do filtro estiver preenchido até o nível de fluido **Low** (Baixo), uma mensagem de aviso será acionada na tela de toque e um sinal sonoro será emitido. Verifique a posição da cânula e da tubulação para garantir que não possa entrar mais fluido para dentro do filtro. Nesse momento, reinsira o obturador dentro da porta de acesso do AirSeal e troque o conjunto de tubo com filtro.
- Instrumentos ou dispositivos que entrem em contato com fluidos corporais podem exigir manuseio especial para descarte para prevenir contaminação biológica.

## CONTRAINDICAÇÕES

O AirSeal IFS é contraindicado para uso quando técnicas endoscópicas minimamente invasivas são contraindicadas.

**IMPORTANTE:** Este livro foi concebido para fornecer instruções de uso. Ele não é uma referência ou guia de técnicas de inserção de trocarce. O uso bem-sucedido de um trocarce de ponta óptica sem lâmina como porta principal após insuflação depende do reconhecimento e diferenciação entre camadas de tecido. Sendo assim, novos usuários devem utilizar os trocarces de ponta óptica como uma porta secundária em seguida da insuflação para obter experiência e competência procedimental na visualização de camadas de tecidos. Apenas após obter experiência com a técnica acima, os trocarces de ponta óptica devem ser usados como porta principal após a insuflação.

**Nota:** inspecione visualmente o(s) sistema(s) de barreira estéril quanto à presença de quaisquer problemas de integridade da embalagem que possam afetar a esterilidade antes da apresentação asséptica. Não use se for encontrada qualquer violação no sistema de barreira estéril.

## INSTRUÇÕES DE USO

### Instruções de uso gerais da porta de acesso do AirSeal no modo AirSeal:

**Nota:** consulte as Instruções de uso do IFS para ver os recursos associados a revisões de software específicas.

1. Ligue o AirSeal IFS pressionando o botão ON/OFF (LIGAR/DESLIGAR) (Fig. 1, A).
2. A alavanca no AirSeal IFS deve estar para cima ou na posição UNLOCK (Desbloquear) (Fig. 1, D).
3. Aguarde a conclusão da autoverificação inicial antes de inserir o conjunto do tubo de triplo lúmen com filtro.
4. Usando técnica estéril, remova o conjunto do tubo de triplo lúmen da embalagem. Para evitar danos, não deite o dispositivo no campo estéril.
5. Insira o corpo do filtro do conjunto do tubo de triplo lúmen no receptáculo do conjunto do tubo localizado na parte dianteira do AirSeal IFS (Fig. 1, C).
6. Empurre a alavanca para baixo na posição LOCK (BLOQUEAR) (Fig. 9), e o modo AirSeal será iniciado automaticamente.  
**Nota:** Se o Modo AirSeal pediátrico estiver ativado, você será solicitado a selecionar o Modo AirSeal adulto ou pediátrico. Consulte as Instruções de uso do AirSeal IFS para especificações do Pediatric AirSeal mode (Modo pediátrico AirSeal).
7. Verifique na tela de toque do AirSeal IFS se há nível suficiente de suprimento de gás (Fig. 1, B).
8. Selecione as configurações de pressão e fluxo desejadas para o paciente. Pressione "Confirm" (Confirmar) para confirmar configurações do paciente.

**Consulte mais instruções abaixo para inserção da agulha de Veress com a porta de acesso de ponta óptica sem lâmina. Essa técnica não é usada para entrada abdominal (tipo Hasson) de ponta romba. Se a técnica de inserção agulha de Veress não for usada, siga para o passo 9.**

- O adaptador de lúmen único é pré-fixado ao conjunto do tubo de triplo lúmen com filtro de carvão ativado.
- Conecte o adaptador de lúmen único à porta Luer da agulha de Veress e insira de acordo com as instruções do fabricante.
- Configure os valores de fluxo e pressão desejados na tela de toque do AirSeal IFS.
- Pressione "Start" (Início) na tela de toque do AirSeal IFS e a insuflação inicial começará.
- Após a insuflação inicial ter sido obtida, retire o conjunto do tubo de triplo lúmen com filtro de carvão ativado do adaptador de lúmen único.
- Remova a agulha de Veress.

**Se a Porta de Acesso do AirSeal não for o primeiro trocarote a ser colocado, mantenha o adaptador de lúmen único conectado ao conjunto do tubo de triplo lúmen com filtro de carvão ativado e transfira o adaptador de lúmen único para a porta Luer do primeiro trocarote convencional colocado. Remova o Adaptador de Lúmen Único somente quando a Porta de Acesso do AirSeal tiver sido inserida.**

9. Usando técnica estéril, remova a porta de acesso do AirSeal e a tampa redutora de ruídos opcional (8 mm, 12 mm) da embalagem. Para evitar danos, não deite o dispositivo no campo estéril.
10. A porta de acesso do AirSeal (obturador e cânula) vem pré-montada na embalagem e, portanto, não é necessário montá-la. **Nota:** Caso a porta de acesso exija montagem, insira o obturador dentro da cânula até que eles se encaixem juntos em segurança.
11. Certifique-se de que o obturador e a cânula estejam montados corretamente. **Nota:** Se usar a porta de acesso de ponta romba, certifique-se de que a âncora da mola também esteja no lugar (Fig. 4, D).
12. Faça uma incisão usando os procedimentos cirúrgicos padrão. (Nota: A incisão deve comportar o diâmetro da cânula. Uma incisão inadequada pode provocar aumento da resistência à inserção, aumentando a força de penetração requerida e possivelmente resultando em perda de controle durante a inserção.)

**A porta de acesso montada está pronta para ser inserida. Se usar a porta de acesso de ponta romba, use a técnica laparoscópica apropriada (inserção tipo Hasson).**

13. Introduza a porta de acesso montada através da incisão cutânea, usando um movimento de rotação de 30° a 90°. Aplique pressão para baixo contínua, porém controlada, sobre o manipulou.
14. Certifique-se de que a porta de acesso esteja adequadamente inserida. Não remova o obturador da cânula nesse momento. **Nota:** Se usar a porta de acesso de ponta romba, a âncora da mola deverá ser fixada ao abdômen do paciente com sutura, da maneira usual.
15. Certifique-se de que a linha preta na ponta distal da porta de acesso do AirSeal esteja visível junto à cavidade a todo momento em que a porta de acesso do AirSeal for usada para insuflação.
16. Remova o plugue do coletor da lateral da cânula na porta de acesso AirSeal, conecte a extremidade distal do conjunto de tubos triplo lúmen com filtro de carvão ativado ao coletor da cânula e aperte.  
**Nota:** Se o conjunto de tubos AirSeal e a porta de acesso não estiverem devidamente apertados, a leitura da pressão no dispositivo pode não refletir a pressão sentida pelo paciente. A conexão segura pode ser confirmada visualmente quando uma das aletas brancas no conector alvo do conjunto de tubos se alinha diretamente à parte superior da porta de acesso (Fig. 15). Olhando diretamente para alvo da porta de acesso enquanto o conjunto de tubos está conectado, uma das aletas na peça conectora do conjunto de tubos deve ficar diretamente vertical à porta de acesso (Fig. 16).
17. O AirSeal será ativado automaticamente. Deixe o obturador no lugar até que um alerta sonoro e a mensagem verde "AirSeal active" (AirSeal ativo) sejam emitidos.
18. Remova o obturador da cânula, apertando os botões de trava do obturador para destravar os dois dispositivos. **Nota:** a porta de acesso de ponta romba não tem botões de trava, então pode ser removida ao puxar o obturador diretamente da cânula.
19. Com o Modo AirSeal ativo e o obturador removido da cânula do AirSeal, o índice do fluxo será automático. **Nota:** o nível de evacuação de fumaça pode ser ajustado tanto para High (Alto) como para Low (Baixo).
20. Se desejado, a tampa redutora de ruídos (8 mm, 12 mm) opcional poderá ser colocada na cânula neste momento. (**Nota:** no caso da utilização da tampa redutora de ruídos opcional, tenha cuidado quando inserir um dispositivo afiado ou grande através da cânula. A tampa redutora de ruídos opcional pode ser removida da cânula a qualquer momento durante o procedimento e deve ser removida antes de inserir quaisquer objetos afiados ou grandes na cânula.)
21. Após a conclusão do procedimento, pressione **STOP** (PARAR) na tela de toque para interromper a insuflação do AirSeal (**Nota:** isso resultará na perda do pneumoperitônio). Usando a técnica laparoscópica padrão, remova todos os dispositivos cirúrgicos e feche os locais da porta aplicáveis da maneira usual.  
**Nota:** Quando o procedimento estiver concluído, o Modo AirSeal passará por uma calibração final antes do desligamento. Durante esse processo, nenhuma pressão ou insuflação é acionada. Aguarde o término da calibração final antes de remover o conjunto do tubo de triplo lúmen com filtro de carvão ativado ou de desligar o IFS.
22. Mova a alavanca no AirSeal IFS para cima ou para posição UNLOCK (Desbloquear).
23. Remova o conjunto do tubo de triplo lúmen com filtro de carvão ativado do receptáculo de conjunto de tubo do AirSeal IFS.
24. Um teste do funcionamento é executado durante a primeira inicialização. Por isso, antes de cada cirurgia, o dispositivo deve ser desligado e ligado novamente.

**Veja abaixo mais instruções de como inserir a porta de acesso de ponta óptica sem lâmina com o uso de um endoscópio.**

**Nota:** consulte as Instruções de uso do IFS para ver os recursos associados a revisões de software específicas.

1. Conecte o endoscópio a 0° na fonte de luz e monitor, como orientado nas instruções do fabricante. Verifique a conexão adequada do endoscópio e garanta clareza da imagem no monitor.
2. Insira o endoscópio na abertura da extremidade proximal do manipulou da porta de acesso de ponta óptica sem lâmina até que chegue na ponta distal da porta de acesso. (Inserção do endoscópio; Fig. 12).
3. Gire o endoscópio como desejar. (Inserção do endoscópio; Fig. 13).
4. Para fornecer uma imagem clara no monitor, insira o endoscópio no manipulou da porta de acesso de ponta óptica sem lâmina, toque a ponta óptica em uma superfície mole e ajuste o foco da câmera.
5. Faça uma incisão usando os procedimentos cirúrgicos padrão. (**Nota:** A incisão deve comportar o diâmetro da cânula. Uma incisão inadequada pode provocar aumento da resistência à inserção, aumentando a força de penetração requerida e possivelmente resultando em perda de controle durante a inserção.) Introduza a porta de acesso montada através da incisão cutânea, usando um movimento de rotação de 30° a 90°. Aplique pressão para baixo contínua, porém controlada, sobre o manipulou.
6. Durante a inserção da porta de acesso, visualize a penetração da porta de acesso através dos planos de tecidos individuais usando o laparoscópio. Os planos de tecidos individuais podem ser vistos conforme a porta de acesso avança.

7. Remova o laparoscópio da porta de acesso de ponta óptica sem lâmina (Remoção do endoscópio; Fig. 14).
8. Continue o procedimento de acordo com as instruções acima, começando com o passo 13.

## INSTRUÇÕES DE USO

### Instruções de uso da porta de acesso do AirSeal no modo AirSeal em aplicações transanais:

**Nota: consulte as Instruções de uso do IFS para ver os recursos associados a revisões de software específicas.**

1. Ligue o AirSeal IFS pressionando o botão ON/OFF (LIGAR/DESLIGAR) (Fig. 1, A).
2. A alavanca no AirSeal IFS deve estar para cima ou na posição UNLOCK (Desbloquear) (Fig. 1, D).
3. Aguarde a conclusão da autoverificação inicial antes de inserir o conjunto do tubo de triplo lúmen com filtro.
4. Usando técnica estéril, remova o conjunto do tubo de triplo lúmen da embalagem. Para evitar danos, não deite o dispositivo no campo estéril.
5. Insira o corpo do filtro do conjunto do tubo de triplo lúmen no receptáculo do conjunto do tubo localizado na parte dianteira do AirSeal IFS (Fig. 1, C).
6. Empurre a alavanca para baixo na posição LOCK (BLOQUEAR) (Fig. 9), e o modo AirSeal será iniciado automaticamente.  
**Nota:** Se o Modo AirSeal pediátrico estiver ativado, você será solicitado a selecionar o Modo AirSeal adulto ou pediátrico. Consulte as Instruções de uso do AirSeal IFS para especificações do Pediatric AirSeal mode (Modo pediátrico AirSeal).
7. Verifique na tela de toque do AirSeal IFS se há nível suficiente de suprimento de gás (Fig. 1, B).
8. Seleção as configurações de pressão e fluxo desejadas para o paciente. Pressione "Confirm" (Confirmar) para confirmar configurações do paciente.
9. Usando técnica estéril, remova a porta de acesso do AirSeal e a tampa redutora de ruídos opcional (8 mm, 12 mm) da embalagem. Para evitar danos, não deite o dispositivo no campo estéril.
10. A porta de acesso do AirSeal (obturador e cânula) vem pré-montada na embalagem e, portanto, não é necessário montá-la.  
**Nota:** Caso a porta de acesso exija montagem, insira o obturador dentro da cânula até que eles se encaixem juntos em segurança.
11. Certifique-se de que o obturador e a cânula estejam montados corretamente.
12. Siga as instruções de uso fornecidas pelo fabricante do dispositivo de plataforma de acesso transanal escolhido para colocação no reto.
13. Insira a porta de acesso no dispositivo de plataforma de acesso transanal através da posição da cânula ou lúmen apropriados. Ao inserir a porta de acesso no dispositivo de plataforma de acesso transanal, introduza-a com um movimento de rotação de 30° a 90°. Aplique pressão axial contínua, mas controlada, no eixo na porta de acesso até que ele se prenda no dispositivo de plataforma de acesso transanal.
14. Certifique-se de que o obturador e a cânula estejam inseridos corretamente. Não remova o obturador da montagem da cânula nesse momento.
15. Remova o plugue do coletor da lateral da cânula na porta de acesso AirSeal, conecte a extremidade distal do conjunto de tubos triplo lúmen com filtro de carvão ativado ao coletor da cânula e aperte.  
**Nota:** Se o conjunto de tubos AirSeal e a porta de acesso não estiverem devidamente apertados, a leitura da pressão no dispositivo pode não refletir a pressão sentida pelo paciente. A conexão segura pode ser confirmada visualmente quando uma das aletas brancas no conector alvo do conjunto de tubos se alinha diretamente à parte superior da porta de acesso (Fig. 15). Olhando diretamente para alvo da porta de acesso enquanto o conjunto de tubos está conectado, uma das aletas na peça conectora do conjunto de tubos deve ficar diretamente vertical à porta de acesso (Fig. 16).
16. O AirSeal será ativado automaticamente. Deixe o obturador no lugar até que um alerta sonoro e a mensagem verde "AirSeal active" (AirSeal ativo) sejam emitidos.
17. Remova o obturador da cânula, apertando os botões de trava do obturador para destravar os dois dispositivos.
18. Com o Modo AirSeal ativo e o obturador removido da cânula do AirSeal, o índice do fluxo será automático.  
**Nota:** o nível de evacuação de fumaça pode ser ajustado tanto para High (Alto) como para Low (Baixo).
19. Se desejado, a tampa redutora de ruídos (8 mm, 12 mm) opcional poderá ser colocada na cânula neste momento. (**Nota:** no caso da utilização da tampa redutora de ruídos opcional, tenha cuidado quando inserir um dispositivo afiado ou grande através da cânula. A tampa redutora de ruídos opcional pode ser removida da cânula a qualquer momento durante o procedimento e deve ser removida antes de inserir qualquer objeto afiado ou grande na cânula.)
20. Após a conclusão do procedimento, pressione **STOP** (PARAR) na tela de toque para interromper a insuflação do AirSeal (**Nota:** isso resultará na perda do pneumoperitônio). Usando a técnica laparoscópica padrão, remova todos os dispositivos cirúrgicos e feche os locais da porta aplicáveis da maneira usual.  
**Nota:** Quando o procedimento estiver concluído, o Modo AirSeal passará por uma calibração final antes do desligamento. Durante esse processo, nenhuma pressão ou insuflação é acionada. Aguarde o término da calibração final antes de remover o conjunto do tubo de triplo lúmen com filtro de carvão ativado ou de desligar o IFS.
21. Mova a alavanca no AirSeal IFS para cima ou para posição UNLOCK (Desbloquear).
22. Remova o conjunto do tubo de triplo lúmen com filtro de carvão ativado do receptáculo de conjunto de tubo do AirSeal IFS.
23. Um teste do funcionamento é executado durante a primeira inicialização. Por isso, antes de cada cirurgia, o dispositivo deve ser desligado e ligado novamente.

### Instruções de uso gerais nos modos de evacuação de fumaça e insuflação padrão:

#### INSUFLAÇÃO INICIAL COM AGULHA DE VERESS

**Nota: consulte as Instruções de uso do IFS para ver os recursos associados a revisões de software específicas.**

1. Ligue o AirSeal IFS pressionando o botão ON/OFF (LIGAR/DESLIGAR) (Fig. 1, A).
2. Após a conclusão da autoverificação de diagnóstico, selecione o Modo de evacuação de fumaça ou o Modo de insuflação padrão na tela de toque na lista de seleção do modo do AirSeal IFS (Fig. 1, B).
3. Verifique na tela de toque do AirSeal IFS se há nível suficiente de suprimento de gás (Fig. 1, B).
4. Conecte o conjunto de tubo adequado ao AirSeal IFS (consulte as instruções específicas abaixo para conectar o conjunto do tubo de evacuação de fumaça bifurcado com filtro de carvão ativado).  
**Nota:** diferente dos outros conjuntos de tubo, o conjunto do tubo de lúmen único se liga à conexão do tubo de insuflação na parte frontal do AirSeal IFS.
5. Conecte o conector Luer Lock do conjunto do tubo à extremidade da agulha de Veress, ou trocarete convencional, da maneira habitual. (Veja abaixo instruções específicas para conectar o conjunto do tubo de evacuação de fumaça bifurcado com filtro de carvão ativado).
6. Configure os valores de fluxo e pressão desejados na tela de toque do AirSeal IFS. Pressione "Confirm" (Confirmar) para confirmar configurações do paciente.
7. Pressione "Start" (Início) na tela de toque do AirSeal IFS e a insuflação inicial começará.
8. Depois que a insuflação inicial tiver sido obtida, **insira o trocarete convencional com portas Luer padrão**.
9. Após a conclusão do procedimento, pressione **STOP** (PARAR) na tela de toque para interromper a insuflação (**Nota:** isso resultará na perda do pneumoperitônio). Usando a técnica laparoscópica padrão, remova todos os dispositivos cirúrgicos e feche os locais da porta aplicáveis da maneira usual.
10. Remova o conjunto de tubo do AirSeal IFS (consulte abaixo as instruções específicas de como remover o conjunto do tubo de evacuação de fumaça bifurcado com filtro de carvão ativado).
11. Um teste do funcionamento é executado durante a primeira inicialização. Por isso, antes de cada cirurgia, o dispositivo deve ser desligado e ligado novamente.

### Consulte abaixo instruções adicionais para o conjunto do tubo de evacuação de fumaça bifurcado com filtro de carvão ativado

#### Para uso com dois trocaretes convencionais com portas Luer padrão e conjunto do tubo de evacuação de fumaça bifurcado com filtro de carvão ativado.

Tubo transparente: Insuflação  
Tubo azul: Evacuação de fumaça

#### Fixação do conjunto do tubo de evacuação de fumaça bifurcado com filtro de carvão ativado

**Nota: consulte as Instruções de uso do IFS para ver os recursos associados a revisões de software específicas.**

1. A alavanca no AirSeal IFS deve estar para cima ou na posição UNLOCK (Desbloquear) (Fig. 1, D).
2. Insira o corpo do filtro do conjunto do tubo de evacuação de fumaça bifurcado com filtro de carvão ativado dentro do receptáculo do conjunto de tubo localizado na parte frontal do AirSeal IFS (Fig. 1, C).
3. Empurre a alavanca para baixo na posição LOCK (BLOQUEAR).
4. Prenda a agulha de Veress ao conector Luer Lock do tubo transparente no conjunto do tubo de evacuação de fumaça bifurcado com filtro de carvão ativado.
5. Configure os valores de fluxo e pressão desejados na tela de toque do AirSeal IFS. Pressione "Confirm" (Confirmar) para confirmar configurações do paciente.

6. Pressione "Start" (Início) na tela de toque do AirSeal IFS e a insuflação inicial começará.
7. Certifique-se de que as cânulas estejam inseridas corretamente.
8. Remova a agulha de Veress e desconecte do conjunto do tubo de evacuação de fumaça bifurcado com filtro de carvão ativado.
9. Conecte o conector Luer Lock do tubo **TRANSPARENTE** do conjunto do tubo de evacuação de fumaça bifurcado com filtro de carvão ativado à cânula convencional. Abra a válvula de débito de entrada/torneira.
10. Siga os passos na tela de toque do AirSeal IFS. Quando instruído, conecte o conector Luer Lock do tubo **AZUL** do conjunto do tubo de evacuação de fumaça bifurcado com filtro de carvão ativado a uma outra cânula convencional. A insuflação permanece ativa.
11. Quando o Luer Lock do conector do tubo **AZUL** do conjunto do tubo de evacuação de fumaça bifurcado com filtro de carvão ativado for conectado à segunda cânula convencional, a evacuação de fumaça será ativada.

**INCIDENTES GRAVES** — notifique imediatamente quaisquer incidentes graves que tenham ocorrido com o uso deste dispositivo ao Departamento de Serviço de Atendimento ao Cliente da CONMED ou ao seu representante local da CONMED. E-mail: [CustomerExperience@CONMED.com](mailto:CustomerExperience@CONMED.com)

#### Remoção do conjunto do tubo de evacuação de fumaça bifurcado com filtro de carvão ativado

**Nota: consulte as Instruções de uso do IFS para ver os recursos associados a revisões de software específicas.**

1. Após a conclusão do procedimento, pressione **STOP** (PARAR) na tela de toque para interromper a insuflação (**Nota:** isso resultará na perda do pneumoperitônio). Usando a técnica laparoscópica padrão, remova todos os dispositivos cirúrgicos e feche os locais da porta aplicáveis da maneira usual.
2. Mova a alavanca no AirSeal IFS para cima ou para a posição UNLOCK (DESBLOQUEAR).
3. Remova o conjunto do tubo de evacuação de fumaça bifurcado com filtro de carvão ativado do receptáculo de conjunto de tubo do AirSeal IFS.
4. Um teste do funcionamento é executado durante a primeira inicialização. Por isso, antes de cada cirurgia, o dispositivo deve ser desligado e ligado novamente.

#### DESCARTE

Descarte o dispositivo de acordo com os requisitos hospitalares locais.

#### APRESENTAÇÃO

Cada Porta de acesso óptica do AirSeal, Porta de acesso de baixo perfil AirSeal, Tampa redutora de ruídos opcional (8 mm, 12 mm), Porta de acesso de ponta romba AirSeal, Cânula AirSeal, Conjunto de tubos de aspiração de fumaça bifurcados com filtro de carvão ativado, Conjunto de tubos triplo lúmen com filtro de carvão ativado, Conjunto do tubo de lúmen único e Adaptador de lúmen único AirSeal são fornecidos esterilizados por radiação gama para o uso em um único paciente. Descarte após a utilização. As Portas de acesso AirSeal, as Tampas redutoras de ruídos e os Conjuntos de tubo não são feitos com látex de borracha natural.

O AirSeal IFS não é estéril e pode ser reutilizado.

AirSeal® é uma marca registrada da CONMED Corporation.

**Rx ONLY** ATENÇÃO: As leis federais (EUA) restringem a venda deste dispositivo a médicos ou mediante sua indicação.

## DUTCH

#### AirSeal® IFS

#### AirSeal® toegangspoort

Optische tip zonder snijrand, optische tip zonder snijrand met laag profiel, optische tip zonder snijrand (handpalmgreep) en toegangspoorten met stompe tip

#### AirSeal® slangsets met filter

Gefilterde slangset met triple lumen met geactiveerde houtskoolfilter, gesplitste gefilterde rookafzuigslangset met geactiveerde houtskoolfilter, gefilterde slangset met enkel lumen

#### Schematisch overzicht: Illustratie en nomenclatuur

<p><b>AirSeal IFS (afb. 1)</b></p> <ol style="list-style-type: none"> <li>AAAN/UIT-schakelaar</li> <li>Touchscreen</li> <li>Insteekopening voor AirSeal en rookafzuigmodus</li> <li>Hendel voor de vergrendeling van de slangset</li> <li>Slangaansluitnippel voor standaardinsufflatie</li> </ol> <p><b>Toegangspoorten zonder snijrand (afb. 2/3)</b></p> <ol style="list-style-type: none"> <li>Spruitstukdop</li> <li>Canule</li> <li>Obturator met optische tip, zonder snijrand</li> <li>Canuleveerslot</li> </ol> <p><b>Toegangspoorten met stompe tip (afb. 4)</b></p> <ol style="list-style-type: none"> <li>Spruitstukdop</li> <li>Canule</li> <li>Obturator met stompe tip</li> <li>Veeranker – verankeringshulpmiddel dat met hecht draad wordt bevestigd</li> </ol> <p><b>Optionele geluiddempend (afb. 5)</b></p>	<p><b>Slangsets (afb. 6/7/8)</b></p> <ol style="list-style-type: none"> <li>Filter</li> <li>8-10 ft. (2,44-3,05 m) slang</li> <li>Luerlock-fitting</li> <li>Adapter met enkel lumen</li> <li>Duimkraag</li> </ol> <p><b>AirSeal modus (afb. 9)</b></p> <p><b>Rookafzuigmodus (afb. 10)</b></p> <p><b>Standaardinsufflatiemodus (afb. 11)</b></p> <p><b>Inbrenging van endoscoop (afb. 12)</b></p> <ol style="list-style-type: none"> <li>AirSeal toegangspoort</li> <li>Endoscoop met geschikte afmetingen</li> </ol> <p><b>Inbrenging van endoscoop (afb. 13)</b></p> <ol style="list-style-type: none"> <li>Roterende beweging maakt het inbrengen eenvoudiger</li> </ol> <p><b>Verwijdering van endoscoop (afb. 14)</b></p> <ol style="list-style-type: none"> <li>Trek endoscoop terug</li> <li>Druk hier om canule vrij te geven</li> </ol> <p><b>Bovenaanzicht van AirSeal-toegangspoort met juiste aansluiting op AirSeal-slangenset (afb. 15)</b></p> <ol style="list-style-type: none"> <li>Slangenset roosaansluitingsvin</li> </ol> <p><b>Voorraanzicht van AirSeal-toegangspoort met juiste aansluiting op AirSeal-slangenset (afb. 16)</b></p> <ol style="list-style-type: none"> <li>Slangenset roosaansluitingsvin</li> </ol>
---	--

#### BELANGRIJK! LEES ONDERSTAANDE INFORMATIE NAUWGEZET DOOR VOORDAT U HET PRODUCT GAAT GEBRUIKEN.

Deze brochure dient ter ondersteuning bij het gebruik van dit product. Ze is geen naslagwerk voor chirurgische technieken. Raadpleeg ook de gebruikershandleiding van de AirSeal IFS voor volledige instructies met betrekking tot de AirSeal IFS en alle werkingsmodi.

#### GEBRUIKSAANWIJZING:

Het CONMED AirSeal® IFS systeem wordt bij diagnostische en/of therapeutische endoscopische ingrepen gebruikt voor het vergroten van een holte door deze met gas te vullen, het creëren en handhaven van een gasdichte obstructievrije toegangsweg voor endoscopische instrumenten, en het afzuigen van chirurgische rook. Het is bedoeld voor gebruik bij procedures in de buikholte, borstholte en bij pediatrische procedures waar insufflatie vereist is om het gebruik van verschillende laparoscopische instrumenten te vergemakkelijken door de buik- of borstholte te vullen met gas zodat de holte wordt vergroot, door een gasdichte weg zonder obstructies voor instrumenten te creëren en te handhaven, en door chirurgische rook af te zuigen. Dit instrument kan ook worden gebruikt voor de insufflatie van het rectum en colon om endoscopische observatie, diagnose en behandeling te vergemakkelijken. De trocar van het AirSeal® IFS systeem is bedoeld voor gebruik met of zonder visualisatie.

#### De AirSeal IFS beschikt over drie werkingsmodi:

1. **AirSeal modus (afb. 9)**
2. **Rookafzuigmodus (afb. 10)**
3. **Standaardinsufflatiemodus (afb. 11)**

### **AirSeal modus:**

In de AirSeal modus wordt de AirSeal iFS gebruikt voor CO<sub>2</sub>-gastoevoer met handhaving van een stabiel pneumoperitoneum en continue rookafzuiging tijdens laparoscopische chirurgie; deze modus vereist het gebruik van de AirSeal iFS, de AirSeal toegangspoort en de gefilterde slangset met triple lumen met geactiveerde houtskoolfilter. De gefilterde slangset met triple lumen met geactiveerde houtskoolfilter wordt gebruikt om de AirSeal toegangspoort aan te sluiten op de AirSeal iFS (afb. 9).

### **Rookafzuigmodus:**

In de rookafzuigmodus wordt de AirSeal iFS gebruikt voor CO<sub>2</sub>-gastoevoer en continue rookafzuiging tijdens laparoscopische chirurgie; deze modus vereist het gebruik van de AirSeal iFS, twee conventionele trocars (zonder luchtdichting) met standaard Luer-poorten, en de AirSeal gesplitste gefilterde rookafzuigslangset met geactiveerde houtskoolfilter. De twee conventionele trocars dienen als aansluitpunten voor de slangset met filter en rookafzuiging, om te voorzien in gelijktijdige CO<sub>2</sub>-gastoevoer en rookafzuiging. De gesplitste gefilterde rookafzuigslangset met geactiveerde houtskoolfilter is gesplitst en wordt aangesloten op de twee conventionele trocars, op de AirSeal iFS (afb. 10).

### **Standaardinsufflatiemodus:**

In de standaardinsufflatiemodus wordt de AirSeal iFS gebruikt voor CO<sub>2</sub>-gastoevoer en standaardinsufflatie tijdens laparoscopische chirurgie, op dezelfde manier als conventionele insufflatoren; deze modus vereist het gebruik van de AirSeal iFS, één conventionele trocar (zonder luchtdichting) met standaard Luer-poort, en de AirSeal gefilterde slangset met enkel lumen. De Luer-poort op de trocar dient als aansluitpunt voor de gefilterde slangset met enkel lumen, om te voorzien in standaardinsufflatie en CO<sub>2</sub>-gastoevoer. De gefilterde slangset met enkel lumen sluit één conventioneel trocar aan op de AirSeal iFS (afb. 11).

### **De AirSeal toegangspoort heeft twee beschikbare configuraties:**

1. **Toegangspoort met optische tip zonder snijrand (afb. 2 en 3)**
2. **Toegangspoort met stompe tip (afb. 4)**

Indien voor de primaire inbrenging een van de twee toegangspoorten met optische tip zonder snijrand wordt gebruikt, wordt aanbevolen een laparoscopie te gebruiken om de inbrenging te visualiseren zodat deze veiliger kan verlopen.

### **De AirSeal slangsets hebben drie beschikbare configuraties:**

1. **Gefilterde slangset met triple lumen met geactiveerde houtskoolfilter (afb. 6)**
2. **Gesplitste gefilterde rookafzuigslangset met geactiveerde houtskoolfilter (afb. 7)**
3. **Gefilterde slangset met enkel lumen (afb. 8)**

Zorg ervoor dat de juiste slangset wordt gebruikt die hoort bij de op de AirSeal iFS geselecteerde modus. Als de verkeerde slangset is ingestoken, wordt de geselecteerde AirSeal iFS modus niet geactiveerd en verschijnt er een waarschuwingmelding.

De slangsets met filter zijn niet bedoeld voor het opzuigen van vloeistof. Als er vloeistof in het filter komt, verschijnt een waarschuwing op het touchscreen van de AirSeal iFS. Als dit gebeurt, dient u uw canuleplaatsing te controleren en voorbereidingen te treffen voor het vervangen van de slangset.

### **WAARSCHUWINGEN:**

- Als de gebruiksaanwijzing niet goed wordt opgevolgd, kan dat ernstige chirurgische gevolgen hebben.
- De componenten van het AirSeal System mogen uitsluitend worden gebruikt door gekwalificeerde artsen die kennis hebben van laparoscopische technieken en hierin ervaren en getraind zijn.
- Deze gebruiksaanwijzing bevat geen beschrijvingen of instructies voor het uitvoeren van chirurgische technieken of laparoscopische ingrepen. Het is de verantwoordelijkheid van de arts om, bij elke ingreep die hij uitvoert, de geschiktheid van het type uit te voeren ingreep met het gebruik van deze producten vast te stellen en voor elke patiënt de specifieke techniek te bepalen.
- De in de verpakking aanwezige componenten van het AirSeal System zijn alleen steriel als ze voor de uiterste gebruiksdatum worden gebruikt en de verpakking ongeopend en onbeschadigd is. NIET GEBRUIKEN na de uiterste gebruiksdatum of als de verpakking open of beschadigd is.
- Alle AirSeal System hulpmiddelen voor eenmalig gebruik (toegangspoorten en slangsets) zijn verpakt en gesteriliseerd om uitsluitend bij één patiënt te worden gebruikt. Niet opnieuw gebruiken, opnieuw verwerken of opnieuw steriliseren. Het opnieuw gebruiken, opnieuw verwerken of opnieuw steriliseren kan de structurele integriteit van het hulpmiddel aantasten en/of tot falen van het hulpmiddel leiden, wat op zijn beurt letsel, ziekte of overlijden van de patiënt kan veroorzaken. Ook kan het opnieuw verwerken of opnieuw steriliseren van hulpmiddelen voor eenmalig gebruik een contaminatierisico inhouden en/of leiden tot besmetting of kruisbesmetting van de patiënt, inclusief, maar niet uitsluitend, overdracht van besmettelijke ziekte(s) van de ene patiënt op de andere. Contaminatie van hulpmiddelen kan tot letsel, ziekte of overlijden van de patiënt leiden.
- De tip van de canule niet onderdompelen in irrigatie- of lichaamsvloeistoffen.
- Het AirSeal iFS alarm gaat af als de koelopeningen aan de zijkant(en) of de onderkant van het bedieningspaneel geblokkeerd zijn. Als het alarm afgaat, onderzoek dan of de koelopeningen niet (gedeeltelijk) geblokkeerd zijn.
- Indien dat NIET het geval is, en het alarm blijft klinken, stop dan met het gebruiken van de AirSeal iFS en stuur het hulpmiddel terug naar de fabrikant voor onderhoud.

### **VOORZORGSMAATREGELEN:**

- Het aanleggen van een pneumoperitoneum heeft bekende fysiologische neveneffecten, waaronder verminderde veneuze retour, verlaagd hartminuutvolume, verminderde nierfunctie, verhoogde intracraniale druk, verhoogde luchtwegweerstand, en verminderde pulmonale compliantie.
- Alleen personen die een adequate opleiding hebben, vertrouwd zijn met minimaal invasieve technieken en relevante deskundigheid op dit gebied bezitten, mogen minimaal invasieve ingrepen uitvoeren. Raadpleeg de medische literatuur over technieken, complicaties en gevaren voordat u enige minimaal invasieve ingreep gaat uitvoeren.
- Een grondige kennis van de principes en technieken in verband met laser-, elektrochirurgische en ultrasonische ingrepen is essentieel om shock- en verbrandingsrisico's voor zowel de patiënt als het medisch personeel te vermijden en beschadiging van het hulpmiddel of andere medische instrumenten te voorkomen. Zorg ervoor dat de elektrische isolatie of aarding niet in gevaar wordt gebracht.
- Onder de volgende omstandigheden bestaat het gevaar dat lucht wordt meegevoerd:
  - Grote externe druk uitgeoefend op de buik
  - Ernstige en aanhoudende lekkage via andere conventionele toegangspoorten die reeds zijn ingebracht, of via een open incisie
  - Sterke en aanhoudende zuiging
- Onder deze bovengenoemde omstandigheden is de vervanging van het insufflatiegas door lucht tijdelijk, en zal de meegevoerde lucht worden vervangen door CO<sub>2</sub>.
- Geadviseerd wordt een insufflatiedruk >15 mm Hg te hanteren bij colorectale ingrepen.
- Een hogere insufflatiedruk (>15 mm Hg) door koolstofdioxide-insufflatie kan het risico van hypercarbie, subcutaan emfysem, pneumomediastinum, pneumothorax, pneumoscotum en urineterentie vergroten.
- Bij gebruik van de optionele geluiddempdpod (8 mm, 12 mm):
  - Controleer het schuim en de afdichting van de geluiddempdpod voor gebruik.
  - Controleer de geluiddempdpod na gebruik op schade van welke aard ook.
- Ga uiterst voorzichtig te werk bij het inbrengen van de AirSeal toegangspoort. Onjuist gebruik van dit product kan levensbedreigend letsel aan inwendige organen en bloedvaten veroorzaken.
  - Zorg dat een adequaat pneumoperitoneum of pneumorectum wordt aangelegd
  - Zorg dat de patiënt goed gepositioneerd wordt, zodat organen uit de buurt van de penetratieplaats liggen
  - Richt de tip van de AirSeal toegangspoort weg van belangrijke bloedvaten en organen
  - Zorg ervoor dat de buitenwand van de toegangspoort van de AirSeal alleen in contact is met weefsel en niet bekneld raakt tussen of in botsing komt met harde oppervlakken, zoals andere instrumenten of bot. Langdurig of plotseling contact met harde oppervlakken kan leiden tot beschadiging aan of breken van de toegangspoort.
  - Gebruik geen overmatige neerwaartse kracht

- Er mogen alleen chirurgische handinstrumenten door de AirSeal-toegangspoort worden geleid. Steek GEEN trocars of robotinstrumenten in de AirSeal-toegangspoort. Verkeerd gebruik kan leiden tot beschadiging aan of breken van de toegangspoort.
- De ontwerpkenmerken van de toegangspoort met optische tip zonder snijrand zijn bedoeld om de kans op penetratieletsel aan intra-abdominale en intrathoracale structuren te minimaliseren. De standaardvoorzorgsmaatregelen die voor alle dergelijke inserties gelden, moeten echter in acht worden genomen.
- Hoewel de toegangspoort met optische tip 'zonder snijrand' een tip zonder snijrand heeft, dient men toch voorzichtig te werk te gaan, zoals bij al dergelijke hulpmiddelen, om schade aan grote bloedvaten en andere anatomische structuren (zoals de darm en het darmvlies) te voorkomen. Om de kans op een dergelijke beschadiging te minimaliseren, moet u:
  - Een adequaat pneumoperitoneum of pneumorectum aanleggen;
  - De patiënt juist positioneren om te helpen organen buiten het penetratiegebied te laten vallen
  - Belangrijke anatomische oriëntatiepunten opmerken
  - De tip van de AirSeal toegangspoort weg richten van belangrijke bloedvaten en organen
  - Overmatige of ongecontroleerde kracht vermijden
  - Waar mogelijk gebruikmaken van optische inbrengtechniek.
- Zodra gedeeltelijke toegang is verkregen, is voor het laatste stukje maar zeer weinig kracht nodig. Te veel kracht kan de onderliggende anatomische structuren letsel toebrengen.
- Zodra endoscopisch toegang is verkregen, mag de toegangspoort met optische tip zonder snijrand niet verder worden geduwd om dieper door te dringen. Het verder inbrengen van de toegangspoort op dit punt kan letsel aan onderliggende structuren veroorzaken.
- Nadat een veilige en juiste toegang is verkregen, dient u ervoor te zorgen dat de zwarte lijn aan de distale tip van de AirSeal toegangspoort altijd zichtbaar is in de holte, wanneer de AirSeal toegangspoort voor insufflatie wordt gebruikt.
- Probeer geen secundaire trocartinserties te maken voordat de primaire plaats en de aanbevolen intra-abdominale druk (gewoonlijk 12-18 mm Hg) tot stand zijn gebracht.
- Na de verwijdering van de canule uit de holte dient u de plaats van ingreep altijd te inspecteren op hemostase. Bij afwezigheid van hemostase moeten gepaste technieken worden gebruikt om hemostase te bereiken.
- De gefilterde slangset met triple lumen met geactiveerde houtskoolfilter en de gesplitste gefilterde rookafzuigslangset met geactiveerde houtskoolfilter zijn uitgerust met vloeistofsensoren om het vloeistofniveau in de filters te bewaken en gebruikers te waarschuwen bij een eventuele hulpmiddelcontaminatie. Indien de vloeistof van de filterbehuizing gevuld is tot het vloeistofniveau **Low** (Laag), verschijnt een waarschuwing op het touchscreen en wordt een geluidssignaal gegeven. De plaatsing van de canule en de slangset moet worden gecontroleerd om te verhinderen dat er opnieuw vloeistof in het filter komt. Plaats de obturator nu terug in de AirSeal toegangspoort en vervang de gefilterde slangset.
- Instrumenten of hulpmiddelen die in aanraking komen met lichaamsvloeistoffen moeten wellicht op speciale wijze worden weggeworpen, om biologische contaminatie te voorkomen.

## CONTRA-INDICATIES

Het gebruik van deze AirSeal IFS is gecontra-indiceerd wanneer endoscopische minimaal invasieve technieken gecontra-indiceerd zijn.

**BELANGRIJK:** Deze bijsluiter dient als gebruiksaanwijzing. Het is geen naslagwerk voor trocartinbrengtechnieken. Succesvol gebruik van een trocar met optische tip zonder snijrand als primaire poort na insufflatie is afhankelijk van het herkennen en onderscheiden van de weefsellagen. Nieuwe gebruikers dienen de trocars met optische tip daarom eerst als secundaire poort na insufflatie te gebruiken, om ervaring en operatieve deskundigheid op te bouwen op het gebied van visualisatie van de weefsellagen. Pas nadat ervaring is opgedaan met bovengenoemde techniek mogen trocars met optische tip als primaire poort na insufflatie worden gebruikt.

**Opmerking:** inspecteer de steriele afdeksystemen visueel om beschadigingen aan de verpakking vast te stellen die van invloed zouden kunnen zijn op de steriliteit voorafgaand aan aseptische presentatie. Niet gebruiken wanneer er afwijkingen aan het steriele afdeksysteem zijn vastgesteld.

## GEBRUIKSAANWIJZING

**Algemene aanwijzingen voor gebruik van de AirSeal poort voor de AirSeal modus:**

**Opmerking: raadpleeg de gebruikershandleiding van IFS voor functies die gepaard gaan met specifieke softwarerevisies.**

1. Schakel de AirSeal IFS in door de ON/OFF Switch (Aan/Uit-schakelaar) in te drukken (afb. 1, A).
  2. De hendel op de AirSeal IFS moet omhoog staan, in de UNLOCK-stand (ontgrendelstand) (afb. 1, D).
  3. Laat initiële zelfcontrole voltooiën voordat u de gefilterde slangset met triple lumen plaatst.
  4. Verwijder de slangset met triple lumen met behulp van steriele techniek uit de verpakking. Kantel het hulpmiddel niet in het steriele veld; dit kan schade veroorzaken.
  5. Steek de filterbehuizing van de slangset met triple lumen in de insteekopening voor de slangset aan de voorzijde van de AirSeal IFS (afb. 1, C).
  6. Duw de hendel omlaag in de stand LOCK (vergrendeld) (afb. 9), AirSeal modus wordt nu automatisch uitgevoerd.
- Opmerking:** Als de AirSeal pediatrische modus is geactiveerd, wordt u gevraagd een AirSeal modus voor volwassenen of kinderen te selecteren. Raadpleeg de gebruikershandleiding voor de AirSeal IFS voor bijzonderheden over de AirSeal-modus Pediatric (Pediatrisch).
7. Controleer op het touchscreenscherf van de AirSeal IFS of er voldoende gas in de gasfles aanwezig is (afb. 1, B).
  8. Stel het gewenste debiet en de gewenste druk in voor de patiënt. Druk op "Bevestigen" om de instellingen van de patiënt te bevestigen.

**Hieronder vindt u verdere instructies voor het inbrengen van een Veress-naald met de toegangspoort met optische tip zonder snijrand. Deze techniek wordt niet toegepast voor abdominale toegang met behulp van een stompe tip (Hasson-type). Als u geen gebruikmaakt van de inbrengtechniek met Veress-naald, gaat u door naar stap 9.**

- Aan de gefilterde slangset met triple lumen met geactiveerde houtskoolfilter is vooraf een adapter met enkel lumen gekoppeld.
- Sluit de adapter met enkel lumen aan op de Luer-poort met de Veress-naald en breng de naald in volgens de instructies van de fabrikant.
- Stel het gewenste debiet en de gewenste druk in op het AirSeal IFS touchscreen.
- Druk op het touchscreen van de AirSeal IFS op "Start" om de initiële insufflatie te starten.
- Wanneer initiële insufflatie bereikt is, koppelt u de gefilterde slangset met triple lumen met geactiveerde houtskoolfilter los van de adapter met enkel lumen.
- Verwijder de Veress-naald.

**Als de AirSeal toegangspoort niet de eerste trocar is die geplaatst wordt, laat u de adapter met enkel lumen vastzitten aan de gefilterde slangset met triple lumen met geactiveerde houtskoolfilter en zet u de adapter met enkel lumen over op de Luer-poort van de eerst geplaatste conventionele trocar. De adapter met enkel lumen mag pas verwijderd worden nadat de AirSeal toegangspoort ingebracht is.**

9. Verwijder de AirSeal toegangspoort en de optionele geluidempdpod (8 mm, 12 mm) uit het pakket met behulp van een steriele techniek. Kantel het hulpmiddel niet in het steriele veld; dit kan schade veroorzaken.
10. De AirSeal toegangspoort (obturator en canule) is bij levering reeds geassembleerd; dat hoeft u dus niet zelf te doen. **Opmerking:** mocht het toch nodig zijn de toegangspoort te assembleren, schuif de obturator dan in de canule tot ze veilig in elkaar vergrendeld zijn.
11. Verzeker u ervan dat de obturator en canule correct geassembleerd zijn. **Opmerking:** controleer bij gebruik van de toegangspoort met stompe tip of het veeranker ook op zijn plaats zit (afb. 4, D).
12. Maak een incisie volgens standaard chirurgische procedures. (Opmerking: de incisie moet groot genoeg zijn voor de diameter van de canule. Een te kleine incisie kan leiden tot verhoogde weerstand bij het inbrengen, waardoor meer penetratiekracht nodig is en de kans bestaat dat men tijdens het inbrengen de controle verliest.)

**De geassembleerde toegangspoort kan nu worden ingebracht. Als u de toegangspoort met stompe tip gebruikt, pas dan de juiste laparoscopische techniek toe (inbrenging volgens Hasson-methode).**

- Breng de geassembleerde toegangspoort met een draaiende beweging, steeds van 30° tot 90°, in via de huidincisie. Oefen continue maar gecontroleerde neerwaartse druk uit op de handgreep.
- Verzeker u ervan dat de toegangspoort correct is ingebracht. Verwijder de obturator nog niet uit de canule. **Opmerking:** als de toegangspoort met stompe tip wordt gebruikt, moet het veeranker op de gebruikelijke manier, met hecht draad op de buik van de patiënt worden bevestigd.
- Zorg dat de zwarte lijn aan de distale tip van de AirSeal toegangspoort altijd wanneer de AirSeal toegangspoort voor insufflatie wordt gebruikt, zichtbaar is in de holte.
- Verwijder de spuitstuk van de zijkant van de canule aan de AirSeal-toegangspoort en sluit het distale uiteinde van de gefilterde slangset met drievoelig lumen met geactiveerde houtskoolfilter aan op het spuitstuk van de canule en zet dit vast.  
**Opmerking:** als de AirSeal-slangenset en -toegangspoort niet juist zijn vastgedraaid, komt de drukwaarde op het apparaat mogelijk niet overeen met de druk die de patiënt ervaart. De verbinding is stevig tot stand gebracht als via visuele controle kan worden bevestigd dat een van de witte vinnen op de roosaansluiting van de slangenset direct in lijn ligt met de bovenkant van de toegangspoort (afb. 15). Als u recht in de roos van de toegangspoort kijkt terwijl de slangenset is aangesloten, moet een van de vinnen op het aansluitstuk van de slangenset loodrecht op de toegangspoort staan (afb. 16).
- AirSeal wordt automatisch geactiveerd. Laat de obturator op zijn plaats totdat een geluidssignaal klinkt en een groene "AirSeal actief" melding wordt weergegeven.
- Verwijder de obturator uit de canule door de knoppen van het veerslot van de obturator in te drukken om de twee apparaten te ontkoppelen.  
**Opmerking:** de toegangspoort met stompe tip heeft geen veerslotknoppen en kan dus verwijderd worden door de obturator direct uit de canule te trekken.
- Zodra de AirSeal modus actief is en u de obturator met optische tip uit de AirSeal canule hebt verwijderd, wordt het debiet automatisch gereguleerd.  
**Opmerking:** u kunt de mate van rookafzuiging instellen op High (hoog) of Low (laag).
- Indien gewenst kan de optionele geluiddempend (8 mm, 12 mm) nu op de canule geplaatst worden. (**Opmerking:** wanneer u de optionele geluiddempend gebruikt, wees dan voorzichtig bij het inbrengen van een scherp of groot apparaat door de canule. De optionele geluidskap kan op elk moment tijdens de procedure van de canule worden verwijderd en moet worden verwijderd voordat er scherpe of grote voorwerpen in de canule worden gestoken).
- Druk na de voltooiing van de procedure op **STOP** (stoppen) op het touchscreen om de AirSeal insufflatie te stoppen (**Opmerking:** hierdoor zal het pneumoperitoneum verloren gaan). Gebruik een standaard laparoscopische techniek om alle chirurgische hulpmiddelen te verwijderen en sluit de betreffende portplaatsen op de gebruikelijke manier. **Opmerking:** wanneer de ingreep voltooid is, zal de AirSeal modus een laatste kalibratie ondergaan voor hij wordt afgesloten. Tijdens dit proces wordt geen druk of insufflatie opgebouwd. Wacht tot de laatste kalibratie voltooid is voor u de gefilterde slangset met triple lumen met geactiveerde houtskoolfilter verwijderd of de iFS uitschakelt.
- Duw de hendel op de AirSeal iFS omhoog, in de UNLOCK-stand (ontgrendelstand).
- Verwijder de gefilterde slangset met triple lumen met geactiveerde houtskoolfilter uit de insteekopening voor de slangset van de AirSeal iFS.
- Omdat de functionele test wordt uitgevoerd tijdens het initiële opstarten, moet de eenheid voorafgaand aan elke operatie worden in- en uitgeschakeld (aan/uit).

**Hieronder vindt u verdere instructies voor het inbrengen van de toegangspoort met optische tip zonder snijrand met behulp van een endoscoop.**

**Opmerking: raadpleeg de gebruikershandleiding van iFS voor functies die gepaard gaan met specifieke softwarerevisies.**

- Sluit de 0° endoscoop aan op de lichtbron en de monitor volgens de instructies in de handleiding van de fabrikant. Controleer of de endoscoop goed is aangesloten en verzeker u van een duidelijk beeld op de monitor.
- Schuif de endoscoop in de opening aan het proximale uiteinde van de handgreep van de toegangspoort met optische tip zonder snijrand, tot hij de distale tip van de toegangspoort bereikt. (Inbrenging van endoscoop; afb. 12).
- Roteer de endoscoop naar wens. (Inbrenging van endoscoop; afb. 13).
- Om een duidelijk beeld op de monitor te krijgen, steekt u de endoscoop in de handgreep van de toegangspoort met optische tip zonder snijrand, raakt u met de optische tip een geschikt zacht oppervlak aan en stelt u de camera scherp.
- Maak een incisie volgens standaard chirurgische procedures. (**Opmerking:** de incisie moet groot genoeg zijn voor de diameter van de canule. Een te kleine incisie kan leiden tot verhoogde weerstand bij het inbrengen, waardoor meer penetratiekracht nodig is en de kans bestaat dat men tijdens het inbrengen de controle verliest.) Breng de geassembleerde toegangspoort met een draaiende beweging, steeds van 30° tot 90°, in via de huidincisie. Oefen continue maar gecontroleerde neerwaartse druk uit op de handgreep.
- Breng tijdens het inbrengen van de toegangspoort de penetratie van de toegangspoort door de verschillende weefsellagen in beeld met de laparoscopische endoscoop. Tijdens het inbrengen van de toegangspoort komen de verschillende weefsellagen in beeld.
- Verwijder de laparoscopische endoscoop uit de toegangspoort met optische tip zonder snijrand (verwijdering van endoscoop; afb. 14).
- Zet de ingreep voort volgens bovenstaande aanwijzingen, te beginnen met stap 13.

**GEbruiksaanwijzing**

**Algemene aanwijzingen voor gebruik van de AirSeal toegangspoort voor de AirSeal modus bij trans-ale toepassingen:**

**Opmerking: raadpleeg de gebruikershandleiding van iFS voor functies die gepaard gaan met specifieke softwarerevisies.**

- Schakel de AirSeal iFS in door de ON/OFF Switch (Aan/Uit-schakelaar) in te drukken (afb. 1, A).
- De hendel op de AirSeal iFS moet omhoog staan, in de UNLOCK-stand (ontgrendelstand) (afb. 1, D).
- Laat initiële zelfcontrole voltooiën voordat u de gefilterde slangenset met triple lumen plaatst.
- Verwijder de slangset met triple lumen met behulp van steriele techniek uit de verpakking. Kantel het hulpmiddel niet in het steriele veld; dit kan schade veroorzaken.
- Steek de filterbehuizing van de slangset met triple lumen in de insteekopening voor de slangset aan de voorzijde van de AirSeal iFS (afb. 1, C).
- Duw de hendel omlaag in de stand LOCK (vergrendeld) (afb. 9), AirSeal modus wordt nu automatisch uitgevoerd.  
**Opmerking:** Als de AirSeal pediatriche modus is geactiveerd, wordt u gevraagd een AirSeal modus voor volwassenen of kinderen te selecteren. Raadpleeg de gebruikershandleiding voor de AirSeal iFS voor bijzonderheden over de AirSeal modus Pediatric (Pediatrisch).
- Controleer op het touchscreenscherm van de AirSeal iFS of er voldoende gas in de gasfles aanwezig is (afb. 1, B).
- Stel het gewenste debiet en de gewenste druk in voor de patiënt. Druk op "Bevestigen" om de instellingen van de patiënt te bevestigen.
- Verwijder de AirSeal toegangspoort en de optionele geluiddempend (8 mm, 12 mm) uit het pakket met behulp van een steriele techniek. Kantel het hulpmiddel niet in het steriele veld; dit kan schade veroorzaken.
- De AirSeal toegangspoort (obturator en canule) is bij levering reeds geassembleerd; dat hoeft u dus niet zelf te doen.  
**Opmerking:** mocht het toch nodig zijn de toegangspoort te assembleren, schuif de obturator dan in de canule tot ze veilig in elkaar vergrendeld zijn.
- Verzeker u ervan dat de obturator en canule correct geassembleerd zijn.
- Volg de gebruiksaanwijzing van de fabrikant van de gekozen trans-ale toegangspoort voor plaatsing in het rectum.
- Breng de toegangspoort in de trans-ale toegangspoort in via het juiste lumen of canulepositie. Gebruik bij het inbrengen van de toegangspoort in de trans-ale toegangspoort een draaiende beweging, steeds van 30° tot 90°. Oefen continue maar gecontroleerde axiale druk uit op de toegangspoort tot deze zich veilig in de trans-ale toegangspoort bevindt.
- Verzeker u ervan dat de obturator en canule correct zijn ingebracht. Verwijder de obturator nog niet uit de canule-assemblage.
- Verwijder de spuitstuk van de zijkant van de canule aan de AirSeal-toegangspoort en sluit het distale uiteinde van de gefilterde slangset met drievoelig lumen met geactiveerde houtskoolfilter aan op het spuitstuk van de canule en zet dit vast.  
**Opmerking:** als de AirSeal-slangenset en -toegangspoort niet juist zijn vastgedraaid, komt de drukwaarde op het apparaat mogelijk niet overeen met de druk die de patiënt ervaart. De verbinding is stevig tot stand gebracht als via visuele controle kan worden bevestigd dat een van de witte vinnen op de roosaansluiting van de slangenset direct in lijn ligt met de bovenkant van de toegangspoort (afb. 15). Als u recht in de roos van de toegangspoort kijkt terwijl de slangenset is aangesloten, moet een van de vinnen op het aansluitstuk van de slangenset loodrecht op de toegangspoort staan (afb. 16).
- AirSeal wordt automatisch geactiveerd. Laat de obturator op zijn plaats totdat een geluidssignaal klinkt en een groene "AirSeal actief" melding wordt weergegeven.
- Verwijder de obturator uit de canule door de knoppen van het veerslot van de obturator in te drukken om de twee apparaten te ontkoppelen.
- Zodra de AirSeal modus actief is en u de obturator met optische tip uit de AirSeal canule hebt verwijderd, wordt het debiet automatisch gereguleerd.  
**Opmerking:** u kunt de mate van rookafzuiging instellen op High (hoog) of Low (laag).
- Indien gewenst kan de optionele geluiddempend (8 mm, 12 mm) nu op de canule geplaatst worden. (**Opmerking:** wanneer u de optionele geluiddempend gebruikt, wees dan voorzichtig bij het inbrengen van een scherp of groot apparaat door de canule. De optionele geluidskap kan op elk moment tijdens de procedure van de canule worden verwijderd en moet worden verwijderd voordat er scherpe of grote voorwerpen in de canule worden gestoken.)

20. Druk na de voltooiing van de procedure op **STOP** (stoppen) op het touchscreen om de AirSeal insufflatie te stoppen (**Opmerking:** hierdoor zal het pneumoperitoneum verloren gaan). Gebruik een standaard laparoscopische techniek om alle chirurgische hulpmiddelen te verwijderen en sluit de betreffende poortplaatsen op de gebruikelijke manier.  
**Opmerking:** wanneer de ingreep voltooid is, zal de AirSeal modus een laatste kalibratie ondergaan voor hij wordt afgesloten. Tijdens dit proces wordt geen druk of insufflatie opgebouwd. Wacht tot de laatste kalibratie voltooid is voor u de gefilterde slangset met triple lumen met geactiveerde houtskoolfilter verwijdert of de iFS uitschakelt.
21. Duw de hendel op de AirSeal iFS omhoog, in de UNLOCK-stand (ontgrendelstand).
22. Verwijder de gefilterde slangset met triple lumen met geactiveerde houtskoolfilter uit de insteekopening voor de slangset van de AirSeal iFS.
23. Omdat de functionele test wordt uitgevoerd tijdens het initiële opstarten, moet de eenheid voorafgaand aan elke operatie worden in- en uitgeschakeld (aan/uit).

#### **Algemene aanwijzingen voor gebruik in -rookafzuigmodus en standaardinsufflatiemodus:**

#### **INITIËLE INSUFFLATIE MET VERESS-NAALD**

##### **Opmerking: raadpleeg de gebruikershandleiding van iFS voor functies die gepaard gaan met specifieke softwarerevisies.**

1. Schakel de AirSeal iFS in door de ON/OFF Switch (Aan/Uit-schakelaar) in te drukken (afb. 1, A).
2. Aan het einde van de initiële zelfcontrole kiest u op het touchscreenschermb van de AirSeal modus in de keuzelijst met modi op de AirSeal iFS (afb. 1, B).
3. Controleer op het touchscreen van de AirSeal iFS of er voldoende gas in de gasfles aanwezig is (afb. 1, B).
4. Sluit de juiste slangset aan op de AirSeal iFS (hieronder vindt u specifieke instructies voor de aansluiting van de gesplitste gefilterde rookafzuigslangset met geactiveerde houtskoolfilter).  
**Opmerking:** in tegenstelling tot de andere slangsets, moet de slangset met enkel lumen worden aangesloten op de slangaansluitnippel aan de voorkant van de AirSeal iFS.
5. Sluit de Luerlock-connector van de slangset op de gebruikelijke manier aan op een Veress-naald of conventionele trocar. (Hieronder vindt u specifieke instructies voor de aansluiting van de gesplitste gefilterde rookafzuigslangset met geactiveerde houtskoolfilter).
6. Stel het gewenste debiet en de gewenste druk in op het AirSeal iFS touchscreen. Druk op "Bevestigen" om de instellingen van de patiënt te bevestigen.
7. Druk op het AirSeal iFS touchscreen op "Start" om de initiële insufflatie te starten.
8. Als initiële insufflatie bereikt is, **brengt u de conventionele trocar met standaard Luer-poorten in.**
9. Druk na de voltooiing van de procedure op **STOP** (stoppen) op het touchscreen om de insufflatie te stoppen (**Opmerking:** hierdoor zal het pneumoperitoneum verloren gaan). Gebruik een standaard laparoscopische techniek om alle chirurgische hulpmiddelen te verwijderen en sluit de betreffende poortplaatsen op de gebruikelijke manier.
10. Verwijder de slangset uit de AirSeal iFS (hieronder vindt u specifieke instructies voor de verwijdering van de gesplitste gefilterde rookafzuigslangset met geactiveerde houtskoolfilter).
11. Omdat de functionele test wordt uitgevoerd tijdens het initiële opstarten, moet de eenheid voorafgaand aan elke operatie worden in- en uitgeschakeld (aan/uit).

#### **Hieronder vindt u bijkomende instructies voor de verwijdering van de gesplitste gefilterde rookafzuigslangset met geactiveerde houtskoolfilter**

#### **Voor gebruik met twee conventionele trocars met standaard Luer-poorten en de gesplitste gefilterde rookafzuigslangset met geactiveerde houtskoolfilter.**

Doorzichtige slang: insufflatie

Blauwe slang: rookafzuiging

#### **Aansluiting van de gesplitste gefilterde rookafzuigslangset met geactiveerde houtskoolfilter**

##### **Opmerking: raadpleeg de gebruikershandleiding van iFS voor functies die gepaard gaan met specifieke softwarerevisies.**

1. De hendel op de AirSeal iFS moet omhoog staan, in de UNLOCK-stand (ontgrendelstand) (afb. 1, D).
2. Steek de filterbehuizing van de slangset met triple lumen in de insteekopening voor de slangset aan de voorzijde van de AirSeal iFS (afb. 1, C).
3. Duw de hendel omlaag in de stand LOCK (vergrendeld).
4. Bevestig de Veress-naald in de Luerlock-connector van de doorzichtige slang van de gesplitste gefilterde rookafzuigslangset met geactiveerde houtskoolfilter.
5. Stel het gewenste debiet en de gewenste druk in op het AirSeal iFS touchscreenschermb. Druk op "Bevestigen" om de instellingen van de patiënt te bevestigen.
6. Druk op het touchscreen van de AirSeal iFS op "Start" om de initiële insufflatie te starten.
7. Verzeker u ervan dat de canules correct zijn geïntroduceerd.
8. Verwijder de Veress-naald en koppel deze los van de gesplitste gefilterde rookafzuigslangset met geactiveerde houtskoolfilter.
9. Sluit de Luerlock-connector van de gesplitste gefilterde rookafzuigslangset met geactiveerde houtskoolfilter aan op de conventionele canule. Open de toevoerklep/stopkraan.
10. Volg de aanwijzingen op het touchscreen van de AirSeal iFS. Sluit wanneer het wordt gevraagd de Luerlock-connector van de **BLAUWE** slang van de gesplitste gefilterde rookafzuigslangset met geactiveerde houtskoolfilter aan op een andere conventionele canule. De insufflatie blijft actief.
11. Wanneer de Luer-poort van de connector van de **BLAUWE** slang van de gesplitste gefilterde rookafzuigslangset met geactiveerde houtskoolfilter op de tweede conventionele canule wordt aangesloten, wordt de rookafzuiging geactiveerd.

**ERNSTIGE INCIDENTEN:** rapporteer alle ernstige incidenten met betrekking tot het gebruik van dit apparaat onmiddellijk aan de klantenservice van CONMED of aan uw plaatselijke CONMED-vertegenwoordiger. E-mail: CustomerExperience@CONMED.com

#### **Verwijdering van de gesplitste gefilterde rookafzuigslangset met geactiveerde houtskoolfilter**

##### **Opmerking: raadpleeg de gebruikershandleiding van iFS voor functies die gepaard gaan met specifieke softwarerevisies.**

1. Druk na de voltooiing van de procedure op **STOP** (stoppen) op het touchscreen om de insufflatie te stoppen (**Opmerking:** hierdoor zal het pneumoperitoneum verloren gaan). Gebruik een standaard laparoscopische techniek om alle chirurgische hulpmiddelen te verwijderen en sluit de betreffende poortplaatsen op de gebruikelijke manier.
2. Duw de hendel op de AirSeal iFS omhoog, in de UNLOCK-stand (ontgrendelstand).
3. Verwijder de gesplitste gefilterde rookafzuigslangset met geactiveerde houtskoolfilter uit de insteekopening voor de slangset van de AirSeal iFS.
4. Omdat de functionele test wordt uitgevoerd tijdens het initiële opstarten, moet de eenheid voorafgaand aan elke operatie worden in- en uitgeschakeld (aan/uit).

#### **AFVOER**

Gooi het hulpmiddel weg in overeenstemming met de plaatselijke ziekenhuisvoorschriften.

#### **LEVERING**

De AirSeal optische toegangspoort, de AirSeal-toegangspoort met laag profiel, de optionele geluiddempdpod (8 mm, 12 mm), de AirSeal-toegangspoort met stompe tip, de AirSeal-canule, de gesplitste rookafzuigslangset met geactiveerde houtskoolfilter, de gefilterde slangset met drievoudig lumen met geactiveerde houtskoolfilter, de slangset met enkel lumen en de AirSeal-adaptor met enkel lumen worden steril geleverd via gammastraling voor gebruik bij één patiënt. Werp ze weg na gebruik. De AirSeal toegangspoorten, geluiddempdoppen en slangsets zijn niet vervaardigd uit latex van natuurlijk rubber.

De AirSeal iFS is niet-steriel en herbruikbaar.

AirSeal® is een geregistreerd handelsmerk van CONMED Corporation.

**!Rx ONLY** VOORZICHTIG: volgens de (Amerikaanse) federale wetgeving mag dit hulpmiddel alleen door of in opdracht van een arts worden verkocht.

**AirSeal® IFS****AirSeal®-adgangsport**

Ikke-skærende optisk spids, ikke-skærende lavprofil optisk spids, bladløs optisk spids med håndfladegreb og adgangsporte med stump spids

**AirSeal®-slangesæt med filter**

Tre-lumen-slangesæt med aktivt trækulfilter, tvedelt røgtømmende slangesæt med aktivt trækulfilter, enkelt-lumen slangesæt med filter

**Skematisk visning: Illustration og ordforklaring**

<p><b>AirSeal IFS (fig. 1)</b></p> <p>A. ON/OFF-kontakt (Tænd/sluk)</p> <p>B. Berøringskærm</p> <p>C. Tilslutning til AirSeal og røgdledningsfunktioner</p> <p>D. Greb til fastlåsning af slangesæt</p> <p>E. Insufflationslangetilslutning til standardinsufflations-funktion</p> <p><b>Ikke-skærende adgangsporte (fig. 2/3)</b></p> <p>A. Samleprop</p> <p>B. Kanyle</p> <p>C. Ikke-skærende obturator med optisk spids</p> <p>D. Kanylélås</p> <p><b>Adgangsporte med stump spids (fig. 4)</b></p> <p>A. Samleprop</p> <p>B. Kanyle</p> <p>C. Obturator med stump spids</p> <p>D. Fjederanker – ankeranordning til fæstning af sutur</p> <p><b>Valgfri lydhætte (fig. 5)</b></p>	<p><b>Slangesæt (fig. 6/7/8)</b></p> <p>A. Filter</p> <p>B. 8-10 fod (2,44-3,05 meter) slange</p> <p>C. Luer lock-fitting</p> <p>D. Adaptersamling med enkelt lumen</p> <p>E. Tommelfingerring</p> <p><b>AirSeal-funktion (fig. 9)</b></p> <p><b>Røgdledningsfunktion (fig. 10)</b></p> <p><b>Standardinsufflations-funktion (fig. 11)</b></p> <p><b>Indføring af endoskop (fig. 12)</b></p> <p>A. AirSeal-adgangsport</p> <p>B. Endoskop med korrekt størrelse</p> <p><b>Indføring af endoskop (fig. 13)</b></p> <p>A. En drejende bevægelse under indføring vil mindske indføringskraften</p> <p><b>Fjernelse af endoskop (fig. 14)</b></p> <p>A. Træk endoskop tilbage</p> <p>B. Tryk her for at udløse kanylen</p> <p><b>AirSeal-adgangsport set ovenfra med korrekt tilslutning til AirSeal-slangesæt (fig. 15)</b></p> <p>A. Slangesæt til forbindelsesfinnens linse</p> <p><b>AirSeal-adgangsport set forfra med korrekt tilslutning til AirSeal-slangesæt (fig. 16)</b></p> <p>A. Slangesæt til forbindelsesfinnens linse</p>
--	---

**VIGTIGT! LÆS FØLGENDE OPLYSNINGER GRUNDIGT, FØR PRODUKTET ANVENDES.**

Denne vejledning er tiltænkt som en hjælp ved brug af dette produkt. Den refererer ikke til kirurgiske teknikker. Se i øvrigt de komplette anvisninger i brugervejledningen til AirSeal IFS vedrørende AirSeal IFS og alle driftsfunktioner.

**BRUGSINDIKATIONER:**

CONMED AirSeal® IFS-systemet er beregnet til brug ved diagnostiske og/eller terapeutiske endoskopiske indgreb til at udspile en kavitet ved at fylde den med gas med det formål at skabe og opretholde en gastæt, obstruktionsfri adgangsvej for endoskopiske instrumenter og udløse kirurgisk røg. Det er indikeret til brug i abdominale, thorax- og pædiatriske procedurer, hvor insufflation er ønsket til at lette brugen af forskellige toracoskopiske og laparoskopiske instrumenter ved at udfylde bughulen eller brysthulrummet med gas for at udvide den, ved at oprette og bevare en gastæt, obstruktionsfri instrumentbane og ved udløse kirurgisk røg. Instrumentet kan også bruges til at insufflere endetarmen og tyktarmen for at muliggøre endoskopisk observation, diagnose og behandling. AirSeal® IFS-systemets trokar er indikeret til brug med eller uden visualisering.

**AirSeal IFS har tre driftsfunktioner:**

1. **AirSeal-funktion (fig. 9)**
2. **Røgdledningsfunktion (fig. 10)**
3. **Standardinsufflations-funktion (fig. 11)**

**AirSeal-funktion:**

Ved anvendelse i AirSeal-funktionen er AirSeal IFS beregnet til at levere CO<sub>2</sub> gasforsyning med stabilt pneumoperitoneum og kontinuerlig røgdledning under laparo-endoskopisk kirurgi og kræver anvendelse af AirSeal IFS, AirSeal-adgangsporten og tre-lumen-slangesættet med aktivt trækulfilter. Tre-lumen-slangesættet med aktivt trækulfilter benyttes til at slutte AirSeal-adgangsporten til AirSeal IFS (fig. 9).

**Røgdledningsfunktion:**

Ved anvendelse i røgdledningsfunktionen er AirSeal IFS beregnet til at levere CO<sub>2</sub> gasforsyning og kontinuerlig røgdledning under laparo-endoskopisk kirurgi og kræver anvendelse af AirSeal IFS, to traditionelle (ikke AirSeal) trokare med standard-Luer-porte og det tvedelte røgtømmende slangesæt med aktivt trækulfilter. De to traditionelle standardtrokare anvendes til at tilslutte det tvedelte røgtømmende slangesæt med aktivt trækulfilter med henblik på levering af CO<sub>2</sub> gasforsyning såvel som en røgdledningsvej. Det tvedelte røgtømmende slangesæt med aktivt trækulfilter er delt i to dele og forbinder de to traditionelle trokare med AirSeal IFS (fig. 10).

**Standardinsufflations-funktion:**

Ved brug i standardinsufflations-funktion er AirSeal IFS beregnet til at levere CO<sub>2</sub> gasforsyning og standardinsufflation under laparo-endoskopisk kirurgi i samme format som traditionelle insufflatører og kræver anvendelse af AirSeal IFS, en traditionel (ikke AirSeal) trokar med standard-Luer-port og enkeltlumen-slangesættet med filter. Luer/porten på trokaren tilsluttes enkeltlumen-slangesættet med filter med henblik på at levere standardinsufflation og CO<sub>2</sub> gasforsyning. Enkeltlumen-slangesættet med filter forbinder den ene traditionelle trokar med AirSeal IFS (fig. 11).

**AirSeal-adgangsporten har to disponible konfigurationer:**

1. **Adgangsport med ikke-skærende optisk spids (fig. 2 og 3)**
2. **Adgangsport med stump spids (fig. 4)**

Hvis en af adgangsportene med ikke-skærende optisk spids anvendes til primær adgang, anbefales det at anvende et laparoskop til at frembringe visualisering for at muliggøre en sikker abdominal adgang.

**AirSeal-slangesættene har tre disponible konfigurationer:**

1. **Tre-lumen-slangesæt med aktivt trækulfilter (fig. 6)**
2. **Tvedelt røgtømmende slangesæt med aktivt trækulfilter (fig. 7)**
3. **Enkeltlumen slangesæt med filter (fig. 8)**

Sørg for, at det rigtige slangesæt anvendes i overensstemmelse med den valgte funktion på AirSeal IFS. Den valgte funktion for AirSeal IFS vil ikke fortsætte, og der vises en advarselsmeddelelse, hvis der sættes en forkert slange.

Slangesættene med filter er ikke beregnet til at tage væske ind. Hvis der trænger væske ind i filteret, vises der en advarselsmeddelelse på berøringskærmen til AirSeal IFS. Hvis dette sker, skal kanylens placering efteres, og der skal gøres forberedelser til at udskifte slangesættet.

**ADVARSLER:**

- Hvis anvisningerne ikke følges korrekt, kan det medføre alvorlige operationsmæssige konsekvenser.
- Kun kvalificerede læger med kendskab til samt erfaring og øvelse i laparoskopiske teknikker må anvende komponenterne i AirSeal-systemet.

- Denne brugervejledning omfatter ikke beskrivelser eller anvisninger i forbindelse med kirurgiske teknikker eller laparoskopiske indgreb. Den læge, der udfører ethvert indgreb, er ansvarlig for at bestemme, om det er hensigtsmæssigt at udføre den type indgreb, der skal udføres, vha. disse produkter samt at bestemme den specifikke teknik for hver patient.
- De medfølgende komponenter til AirSeal-systemet er kun sterile, hvis de anvendes inden udløbsdatoen, og hvis pakningen er uåbnet og ubeskadiget. Må IKKE anvendes efter udløbsdatoen, eller hvis pakningen er åben eller beskadiget.
- Alle AirSeal-systemets anordninger til engangsbrug (adgangsporte og slangesæt) er udelukkende emballeret og steriliseret til brug på én enkelt patient. Må ikke genbruges, genforarbejdes eller resteriliseres. Genbrug, genforarbejdning eller resterilisering kan forringe produktets strukturelle integritet og/eller medføre fejlfunktion af anordningen, hvilket igen kan forårsage patientskader, -sygdom eller -død. Genforarbejdning eller resterilisering af anordninger til engangsbrug kan også udgøre en risiko for kontaminering og/eller patient- eller krydsinfektion, herunder, men ikke begrænset til, overførsel af infektionssygdom(me) fra én patient til en anden. Kontaminering af anordninger kan forårsage patientskader, -sygdom eller -død.
- Kanylens spids må ikke nedsænkes i skylle- eller kropsvæsker.
- AirSeal iFS alarmer lyder, hvis afkølingsåbningerne er blokeret på siderne eller bunden af kontrolenheden. Hvis alarmer lyder, skal det kontrolleres, om afkølingsåbningerne er blokeret.
- Hvis de ovennævnte forhold IKKE er til stede, og alarmer bliver ved med at lyde, skal brug af AirSeal iFS standses, og den skal sendes tilbage til producenten til reparation.

#### FORSIGTIGHEDSREGLER:

- Oprettelsen af pneumoperitoneum har kendte fysiologiske bivirkninger, inklusive nedsat venøst tilbageløb, nedsat minutvolumen, nedsat nyrefunktion, øget intrakranialt tryk, øget luftvejsmodstand og nedsat lungekomplians.
- Kun personer, der har passende opøvelse, kendskab og relevant kompetence med hensyn til minimalt invasive teknikker, bør udføre minimalt invasive indgreb. Indhent oplysninger i medicinsk litteratur vedrørende teknikker, komplikationer og risici for udførelse af minimalt invasive indgreb.
- En grundig forståelse af de principper og teknikker, der er involveret i laser-, elektrokirurgiske og ultralydsvejledte indgreb er afgørende for at undgå stød- og forbrændingsrisici både for patient og medicinsk personale samt beskadigelse af produktet eller andre medicinske instrumenter. Kontroller, at elektrisk isolering eller jordforbindelse er i god stand.
- Der er mulighed for luftindsugning under følgende forhold:
  - Kraftigt tryk eksternt på abdomen
  - Kraftig og langvarig lækage gennem andre traditionelle, isatte porte eller en åben incision
  - Kraftig og langvarig sugning
- Under de ovenfor beskrevne forhold fortrænges insufflationsgassen midlertidigt af luft, og den indsugede luft fortrænges af CO<sub>2</sub>.
- Det anbefales ikke at overskride et insufflationstryk på > 15 mm Hg i kolorektale procedurer.
- Højere insufflationstryk (> 15 mm Hg) af kuldioxidinsufflation kan øge risikoen for hyperkapni, subkutan emfysem, pneumomediastinum, pneumothorax, pneumoscotum samt urinretention.
- Ved brug af den valgfri lydhatte (8 mm, 12 mm):
  - Efterse lydhatstens blå styrofoam og blå forsegling før brug.
  - Efterse lydhatsten efter brug for eventuel fysisk beskadigelse.
- Vær ekstremt forsigtig under indføring af AirSeal-adgangsporten. Ukorrekt anvendelse af dette produkt kan forårsage livstruende skader på indre organer og kar.
  - Sørg for, at der er fastlagt passende pneumoperitoneum eller pneumorectum
  - Sørg for, at patienten er placeret korrekt, så organerne holdes væk fra penetrationsstedet.
  - Vend AirSeal-adgangsportens spids væk fra vigtige kar og organer.
  - Sørg for, at ydervæggen på AirSeal-adgangsporten kun er i kontakt med væv og hverken kommer i klemme mellem eller kolliderer med hårde overflader, som f.eks. andre instrumenter eller knogler. Langvarig eller pludselig kontakt med hårde overflader kan resultere i beskadigelse eller brud på adgangsporten.
  - Anvend ikke overdreven, nedadrettet kraft.
- Kun kirurgiske håndinstrumenter bør føres gennem AirSeal-adgangsporten. Indsæt IKKE trokarer eller robotinstrumenter gennem AirSeal-adgangsporten. Forkert brug kan resultere i beskadigelse eller ødelæggelse af adgangsporten.
- Designfunktionerne i adgangsporten med ikke-skærende optisk spids er beregnet til at minimere sandsynligheden for penetrationskader i underliggende anatomiske strukturer. Der skal dog tages de standard sikkerhedsforanstaltninger, der anvendes ved alle sådanne indføringer.
- Skønt adgangsporten med ikke-skærende optisk spids har en "ikke-skærende" spids, skal der, som ved alle sådanne produkter, udvises forsigtighed for at undgå beskadigelse af større kar og andre anatomiske strukturer (f.eks. tarme eller mesenterium). For at minimere risikoen for sådanne skader skal man sørge for at:
  - etablere tilstrækkelig pneumoperitoneum eller pneumorectum
  - placere patienten rigtigt med henblik på at hjælpe med at flytte organer uden for penetrationsområdet
  - lægge mærke til vigtige anatomiske landemærker
  - vende AirSeal-adgangsportens spids væk fra større kar og strukturer
  - undlade at anvende overdreven eller ukontrolleret kraft
  - benytte optisk adgangsteknik, når det er muligt.
- Når der er foretaget delvis indføring, skal der kun bruges meget lidt kraft for at færdiggøre indføringen. For megen kraft kan give skader på underliggende anatomiske strukturer.
- Når først der er foretaget korrekt endoskopisk adgang, må adgangsporten med ikke-skærende optisk spids ikke føres frem med henblik på yderligere penetration. Forsat fremføring af adgangsporten på dette tidspunkt kan forårsage skade på underliggende anatomiske strukturer.
- Når der er oprettet en sikker og korrekt adgang, skal det sikres, at den sorte linje ved AirSeal-adgangsportens distale spids er synlig i kaviteten på alle tidspunkter, mens AirSeal-adgangsporten anvendes til insufflation.
- Forsøg ikke at udføre sekundær trokarpunktur, indtil det primære sted og anbefalet intraabdominalt tryk (normalt 12-18 mmHg) er oprettet.
- Når kanylen er blevet fjernet fra kaviteten, skal stedet altid undersøges for hæmostase. Hvis der ikke er hæmostase til stede, skal der anvendes hensigtsmæssige teknikker til at opnå hæmostase.
- Tre-lumen-slangesættet med aktivt trækulfilter og det tvædelte røgtømmende slangesæt med aktivt trækulfilter er udstyret med væskesensorer til overvågning af væskniveauet i filterne og for at advare brugeren mod eventuel kontaminering af anordningen. Hvis filterhusets væskfælde er fyldt til **Low** (lavt) væskniveau, vises der en advarselmeddelelse på berøringskærmen, og der afgives et lydsignal. Placering af kanylen og slange bør kontrolleres for at sikre, at der ikke længere trænger væske ind i filteret. På dette tidspunkt skal obturatoren indføres i AirSeal-adgangsporten igen, og slangesættet med filtre skal udskiftes.
- Instrumenter eller produkter, som kommer i kontakt med kropsvæsker, kan kræve særlig håndtering i forbindelse med bortskaffelse for at undgå biologisk kontamination.

#### KONTRAINDIKATIONER

AirSeal iFS er kontraindiceret til anvendelse i tilfælde, hvor endoskopiske minimalt invasive teknikker er kontraindiceret.

**VIGTIGT:** Denne indlæggsseddel er beregnet som en brugervejledning. Det er ikke en reference eller vejledning for trokarindførings teknikker. Et vellykket resultat ved brug af en trokar med ikke-skærende optisk spids som primær port efter insufflation afhænger af genkendelse af og differentiering mellem vævslag. Derfor bør nye brugere anvende trokaren med optisk spids som sekundær port efter insufflation for at opnå erfaring og proceduremæssig kompetence med henblik på visualisering af vævs lagene. Trokarer med optisk spids bør først anvendes som primær port efter insufflation, når der er opnået erfaring med ovennævnte teknik.

**Bemærk:** Inspicer de(t) sterile barriersystem(er) visuelt for eventuelle problemer med emballagens integritet, der kan påvirke steriliteten før aseptisk presentation. Må ikke bruges, hvis der findes brud på det sterile barriersystem.

## BRUGSANVISNING

### Generel brugervejledning for AirSeal-adgangsport i AirSeal-funktion:

**Bemærk: Se brugervejledningen til IFS vedrørende funktioner, der er knyttet til specifikke softwarerevisioner.**

1. Tænd for AirSeal IFS ved at trykke på ON/OFF-kontakten (Tænd/sluk) (fig. 1, A).
2. Grebet på AirSeal IFS skal være i opad-position eller i positionen UNLOCK (ulåst) (fig. 1, D).
3. Lad den indledende selv-tjek afslutte, før tre-lumen-slangesættet indsættes.
4. Tag tre-lumen-slangesættet ud af pakningen vha. steril teknik. For at undgå beskadigelse må anordningen ikke vendes ud på det sterile område.
5. Sæt filterhuset til tre-lumen-slangesættet i slangestikket, der er placeret forrest på AirSeal IFS (fig. 1, C).
6. Tryk grebet ned til positionen LOCK (låst) (fig. 9), AirSeal-funktionen starter automatisk.  
**Bemærk:** Hvis Pædiatrisk AirSeal-tilstand er aktiveret, bliver du bedt om at vælge Voksen eller Pædiatrisk AirSeal-tilstand. Se brugervejledningen til AirSeal IFS for at få oplysninger om Pediatric AirSeal mode (pædiatrisk AirSeal-tilstand).
7. Verificér på AirSeal IFS-berøringskærmen, at gastilførselsniveauet er tilstrækkeligt (fig. 1, B).
8. Vælg ønskede flow- og trykindstillinger for patienten. Tryk på "Confirm" ("Bekræft") for at bekræfte patientens indstillinger.

**Se yderligere anvisninger herunder for indføring af en Veress-kanyle vha. adgangsporten med ikke-skærende optisk spids. Denne teknik anvendes ikke til abdominal indføring med stump spids (Hassan teknik). Hvis der ikke anvendes en indføringsteknik vha. Veress-kanyle, fortsættes til trin 9.**

- Enkeltlumen-adapteren er fastgjort til tre-lumen-slangesættet med aktivt trækulfilter på forhånd.
- Slut adapteren med enkelt lumen til Veress-kanylens Luer-port, og foretag indføring i henhold til producentens anvisninger.
- Indstil de ønskede flow- og trykværdier på berøringskærmen på AirSeal IFS.
- Tryk på "Start" ("Start") på berøringskærmen på AirSeal IFS, og den indledende insufflation begynder.
- Når der er opnået indledende insufflation, tages tre-lumen-slangesættet med aktivt trækulfilter af enkeltlumen adapteren.
- Fjern Veress-kanylen.

**Hvis AirSeal-adgangsporten ikke er den første trokar, der skal anlægges, bevares tilslutningen af enkeltlumen-adapteren til tre-lumen-slangesættet med aktivt trækulfilter, og enkeltlumen-adapteren overføres til Luer-porten på den første traditionelle trokar. Enkeltlumen-adapteren må først fjernes, når AirSeal-adgangsporten er blevet indført.**

9. Tag AirSeal-adgangsporten og den frivillige lydhatte (8 mm, 12 mm) ud af pakken vha. steril teknik. For at undgå beskadigelse må anordningen ikke vendes ud på det sterile område.
10. AirSeal-adgangsporten (obturator og kanyle) pakkes i samlet tilstand, så det er ikke nødvendigt at samle dem. **Bemærk:** Såfremt det er nødvendigt at samle adgangsporten, skal du sætte obturatoren ind i kanylen, indtil de er låst korrekt sammen.
11. Sørg for, at obturator og kanyle er korrekt samlet. **Bemærk:** Hvis der anvendes en adgangsport med stump spids, skal det sikres, at fjederankeret også sidder på plads (fig. 4, D).
12. Foretag en incision vha. standard kirurgisk procedure. (**Bemærk:** Incisionen skal passe til kanylens diameter. En utilstrækkelig incision kan skabe modstand mod indføring og øge den fornødne penetrationskraft, hvilket evt. kan føre til, at kontrollen mistes under indføringen).

**Den samlede adgangsport kan nu indføres. Hvis der anvendes en adgangsport med stump spids, benyttes den passende laparoskopiske teknik (Hassan indføringsteknik).**

13. Indfør adgangsportsamlingen gennem hudincisionen vha. en drejebælgelse, hvor hver drejning starter ved 30° og slutter ved 90°. Læg et kontinuerligt, men kontrolleret nedadrettet tryk på grebet.
14. Kontrollér, at adgangsporten er korrekt indført. Obturatoren må ikke fjernes fra kanylen på dette tidspunkt. **Bemærk:** Hvis adgangsporten med stump spids anvendes, skal fjederankeret fastgøres til patientens abdomen med sutur på sædvanlig måde.
15. Kontrollér, at den sorte linje ved AirSeal adgangsportens distale spids er synlig i kavitetten på alle tidspunkter, mens AirSeal adgangsporten anvendes til insufflation.
16. Fjern samleproppen fra siden af kanylen på AirSeal-adgangsporten, slut den distale ende af det tre-lumen-filtrerede slangesæt med aktivt kulfilter til kanylemanfalten og tilspænd.  
**Bemærk:** Hvis AirSeal-slangesættet og adgangsporten ikke er strammet korrekt, afspejler trykafmålingen på enheden muligvis ikke det tryk, som patienten oplever. En sikker forbindelse kan bekræftes visuelt, når en af de hvide finner på slangesættets forbindelsesstik til linsen flugter direkte med toppen af adgangsporten (fig. 15). Når man ser lige ind i adgangsportens linse, mens slangesættet er tilsluttet, skal en af finnerne på slangesættets forbindelsesstykke sidde direkte lodret i forhold til adgangsporten (fig. 16).
17. AirSeal aktiveres automatisk. Lad obturatoren være på plads, indtil den hørbare tone og den grønne meddelelse "AirSeal active" ("AirSeal aktiv") vises.
18. Fjern obturatoren fra kanylen ved at klemme på obturatorens låseknap for at låse de to anordninger op. **Bemærk:** Adgangsporten med stump spids har ikke låseknap, så den kan fjernes ved at trække obturatoren lige ud af kanylen.
19. Når AirSeal-funktion er aktiv, og obturatoren er blevet fjernet fra AirSeal-kanylen, bliver flowtrykket automatisk. **Bemærk:** Røgledningsniveauet kan indstilles til enten High (høj) eller Low (lav).
20. Den valgfri lydhatte (8 mm, 12 mm) kan nu placeres på kanylen, hvis det ønskes. (**Bemærk:** Ved brug af en valgfri lydhatte skal du være forsigtig ved indføring af en skarp eller stor anordning via kanylen. Den valgfrie lydhatte kan fjernes fra kanylen når som helst under proceduren og bør fjernes, før der indføres skarpe eller store genstande i kanylen).
21. Når indgrebet er færdigt, tryk på **STOP** (STOP) på berøringskærmen for at standse AirSeal-insufflation (**Bemærk:** Dette resulterer i tab af pneumoperitoneum). Anvend standard laparoskopisk teknik. Fjern alle kirurgiske produkter, og luk relevante portsteder på sædvanlig måde.  
**Bemærk:** Når indgrebet er færdigt, kalibreres AirSeal-funktion en sidste gang for nedlukning. Under denne proces opbygges der ikke tryk eller insufflation. Vent, til den afsluttende kalibrering er færdig, før tre-lumen-slangesættet med aktivt trækulfilter fjernes, eller IFS slukkes.
22. Flyt grebet på AirSeal IFS til den øverste position eller positionen UNLOCK (ulåst).
23. Fjern tre-lumen-slangesættet med aktivt trækulfilter fra tilslutningen til slangesættet på AirSeal IFS.
24. Da funktionstesten udføres under indledende opstart, skal enheden genstartes (slukkes/tændes) for hvert indgreb.

**Se anvisningerne herunder for indføring af adgangsporten med ikke-skærende optisk spids vha. et endoskop.**

**Bemærk: Se brugervejledningen til IFS vedrørende funktioner, der er knyttet til specifikke softwarerevisioner.**

1. Slut det lige endoskop til lyskilden og overvåg, som anvist i producentens anvisninger. Bekræft, at endoskopet er rigtigt tilsluttet, og kontroller billedets klarhed på monitoren.
2. Indfør endoskopet i åbningen i den proksimale ende af adgangsporten med ikke-skærende optisk spids, indtil det når adgangsportens distale spids. (Indføring af endoskop, fig. 12).
3. Drej endoskopet efter ønske. (Indføring af endoskop, fig. 13).
4. For at få et klart billede på monitoren indføres endoskopet i håndtaget på adgangsporten med ikke-skærende optisk spids, og kameraet fokuseres, ved at føre den optiske spids mod en passende blød overflade.
5. Foretag en incision vha. standard kirurgisk procedure. (**Bemærk:** Incisionen skal passe til kanylens diameter. En utilstrækkelig incision kan skabe modstand mod indføring og øge den fornødne penetrationskraft, hvilket evt. kan føre til, at kontrollen mistes under indføringen). Indfør adgangsportsamlingen gennem hudincisionen vha. en drejebælgelse, hvor hver drejning starter ved 30° og slutter ved 90°. Læg et kontinuerligt, men kontrolleret nedadrettet tryk på grebet.
6. lagtag adgangsportens penetration gennem de enkelte vævsplaner vha. laparo-endoskopet, mens adgangsporten indføres. De enkelte vævsplaner kan ses, efterhånden som adgangsporten bevæger sig fremad.
7. Fjern laparo-endoskopet fra adgangsporten med ikke-skærende optisk spids. (Fjernelse af endoskop, fig. 14).
8. Fortsæt proceduren i henhold til ovennævnte anvisninger, begyndende med trin 13.

## BRUGSANVISNING

### Brugsvejledning til brug af AirSeal-adgangsporten til AirSeal-funktion i transanale procedurer:

**Bemærk: Se brugervejledningen til IFS vedrørende funktioner, der er knyttet til specifikke softwarerevisioner.**

1. Tænd for AirSeal IFS ved at trykke på ON/OFF-kontakten (Tænd/sluk) (fig. 1, A).
2. Grebet på AirSeal IFS skal være i opad-position eller i positionen UNLOCK (ulåst) (fig. 1, D).
3. Lad den indledende selv-tjek afslutte, før tre-lumen-slangesættet indsættes.
4. Tag tre-lumen-slangesættet ud af pakningen vha. steril teknik. For at undgå beskadigelse må anordningen ikke vendes ud på det sterile område.
5. Sæt filterhuset til tre-lumen-slangesættet i slangesticket, der er placeret forrest på AirSeal IFS (fig. 1, C).
6. Tryk grebet ned til positionen LOCK (låst) (fig. 9), AirSeal-funktionen starter automatisk.  
**Bemærk:** Hvis pædiatrisk AirSeal-tilstand er aktiveret, bliver du bedt om at vælge Voksen eller Pædiatrisk AirSeal-tilstand. Se brugervejledningen til AirSeal IFS for at få oplysninger om Pediatric AirSeal mode (pædiatrisk AirSeal-tilstand).
7. Verificér på AirSeal IFS-berøringskærmen, at gastilførselsniveauet er tilstrækkeligt (fig. 1, B).
8. Vælg ønskede flow- og trykindstillinger for patienten. Tryk på "Confirm" ("Bekræft") for at bekræfte patientens indstillinger.
9. Tag AirSeal-adgangsporten og den frivillige lydhatte (8 mm, 12 mm) ud af pakken vha. steril teknik. For at undgå beskadigelse må anordningen ikke vendes ud på det sterile område.
10. AirSeal-adgangsporten (obturator og kanylen) pakkes i samlet tilstand, så det er ikke nødvendigt at samle dem.  
**Bemærk:** Såfremt det er nødvendigt at samle adgangsporten, skal du sætte obturatoren ind i kanylen, indtil de er låst korrekt sammen.
11. Sørg for, at obturator og kanylen er korrekt samlet.
12. Følg brugervejledningen, der følger med produktet, for den valgte transanale adgangsplattformenhed for indføring i endetarmen.
13. Sæt adgangspartsamlingen i den transanale adgangsplattformenhed gennem den rette lumen- eller kanyleposition. Når adgangsporten sættes i den transanale adgangsplattformenhed, skal den indføres ved hjælp af en 30° til 90° roterende bevægelse. Påfør vedvarende, men kontrolleret, aksialt tryk på adgangsporten, indtil den sidder sikkert i den transanale adgangsplattformenhed.
14. Sørg for, at obturator og kanylen er korrekt isat. Fjern ikke obturator fra kanylesamlingen.
15. Fjern samleproppen fra siden af kanylen på AirSeal-adgangsporten, slut den distale ende af det tre-lumen-filtrerede slangesæt med aktivt kulfilter til kanylemålfolden og tilspænd.  
**Bemærk:** Hvis AirSeal-slangesættet og adgangsporten ikke er strammet korrekt, afspejler trykflæsningen på enheden muligvis ikke det tryk, som patienten oplever. En sikker forbindelse kan bekræftes visuelt, når en af de hvide finner på slangesættets forbindelsesstik til linsen flugter direkte med toppen af adgangsporten (fig. 15). Når man ser lige ind i adgangsportens linse, mens slangesættet er tilsluttet, skal en af finnerne på slangesættets forbindelsesstykke sidde direkte lodret i forhold til adgangsporten (fig. 16).
16. AirSeal aktiveres automatisk. Lad obturatoren være på plads, indtil den hørbare tone og den grønne meddelelse "AirSeal active" ("AirSeal aktiv") vises.
17. Fjern obturatoren fra kanylen ved at klemme på obturatorens låseknap for at låse de to anordninger op.
18. Når AirSeal-funktion er aktiv, og obturatoren er blevet fjernet fra AirSeal-kanylen, bliver flowtrykket automatisk.  
**Bemærk:** Røgdledningsniveauet kan indstilles til enten High (høj) eller Low (lav).
19. Den valgfrie lydhatte (8 mm, 12 mm) kan nu placeres på kanylen, hvis det ønskes. **Bemærk:** Ved brug af en valgfri lydhatte skal du være forsigtig ved indføring af en skarp eller stor anordning via kanylen. Den valgfrie lydhatte kan fjernes fra kanylen når som helst under proceduren og bør fjernes, før der indføres skarpe eller store genstande i kanylen).
20. Når indgrebet er færdigt, trykkes på **STOP** (STOP) på berøringskærmen for at standse AirSeal-insufflation (**Bemærk:** Dette resulterer i tab af pneumoperitoneum). Anvend standard laparoskopisk teknik. Fjern alle kirurgiske produkter, og luk relevante portsteder på sædvanlig måde.  
**Bemærk:** Når indgrebet er færdigt, kalibreres AirSeal-funktion en sidste gang før nedlukning. Under denne proces opbygges der ikke tryk eller insufflation. Vent, til den afsluttende kalibrering er færdig, før tre-lumen-slangesættet med aktivt trækulfilter fjernes, eller IFS slukkes.
21. Flyt grebet på AirSeal IFS til den øverste position eller positionen UNLOCK (ulåst).
22. Fjern tre-lumen-slangesættet med aktivt trækulfilter fra tilslutningen til slangesættet på AirSeal IFS.
23. Da funktionstesten udføres under indledende opstart, skal enheden genstartes (slukkes/tændes) før hvert indgreb.

### Generel brugsvejledning – røgdlednings- og standardinsufflations-funktion:

#### INDLEDENDE INSUFFLATION MED VERESS-KANYLE

**Bemærk: Se brugervejledningen til IFS vedrørende funktioner, der er knyttet til specifikke softwarerevisioner.**

1. Tænd for AirSeal IFS ved at trykke på ON/OFF-kontakten (Tænd/sluk) (fig. 1, A).
2. Når det diagnostiske selv-tjek er udført, skal du vælge enten røgdledningsfunktion eller standardinsufflations-funktion på berøringskærmen fra funktionslisten på AirSeal IFS (fig. 1, B).
3. Verificér på AirSeal IFS-berøringskærmen, at gastilførselsniveauet er tilstrækkeligt (fig. 1, B).
4. Slut et passende slangesæt til AirSeal IFS (se specifikke anvisninger herunder for tilslutning af det tvedelte røgtømmende slangesæt med aktivt trækulfilter).  
**Bemærk:** I modsætning til de andre slangesæt slutes enkeltlumen-slangesættet til insufflationslangens tilslutningsstolpe forrest på AirSeal IFS.
5. Slut slangesættets Luer lock-konnektor til enden af Veress-kanylen eller den traditionelle trokar på sædvanlig måde. (Se specifikke anvisninger herunder for tilslutning af det tvedelte røgtømmende slangesæt med aktivt trækulfilter).
6. Indstil den ønskede flow- og trykværdi på berøringskærmen på AirSeal IFS. Tryk på "Confirm" ("Bekræft") for at bekræfte patientens indstillinger.
7. Tryk på "Start" ("Start") på berøringskærmen på AirSeal IFS, og den indledende insufflation begynder.
8. Når der er opnået indledende insufflation, **indføres den traditionelle trokar med standard-Luer-porte.**
9. Når indgrebet er færdigt, trykkes på **STOP** (STOP) på berøringskærmen for at standse insufflation (**Bemærk:** Dette resulterer i tab af pneumoperitoneum). Anvend standard laparoskopisk teknik. Fjern alle kirurgiske produkter, og luk relevante portsteder på sædvanlig måde.
10. Fjern slangesættet fra AirSeal IFS (se specifikke anvisninger herunder for fjernelse af det tvedelte røgtømmende slangesæt med aktivt trækulfilter).
11. Da funktionstesten udføres under indledende opstart, skal enheden genstartes (slukkes/tændes) før hvert indgreb.

#### Se yderligere anvisninger herunder for tilslutning af det tvedelte røgtømmende slangesæt med aktivt trækulfilter

#### Til anvendelse med to traditionelle trokarer med standard-Luer-porte og det tvedelte røgtømmende slangesæt med aktivt trækulfilter.

Gennemsligtig slange: Insufflation

Blå slange: Røgdledning

#### Fastgørelse af det tvedelte røgtømmende slangesæt med aktivt trækulfilter

**Bemærk: Se brugervejledningen til IFS vedrørende funktioner, der er knyttet til specifikke softwarerevisioner.**

1. Grebet på AirSeal IFS skal være i opad-position eller i positionen UNLOCK (ulåst) (fig. 1, D).
2. Sæt filterhuset til det tvedelte røgdledende slangesæt med aktivt trækulfilter i slangesticket, der er placeret forrest på AirSeal IFS (fig. 1, C).
3. Tryk grebet ned til positionen LOCK (lås).
4. Fastgør Veress-kanylen til den gennemsligtige slanges Luer lock-konnektor på det tvedelte røgdledende slangesæt med aktivt trækulfilter.
5. Indstil de ønskede flow- og trykværdier på berøringskærmen på AirSeal IFS. Tryk på "Confirm" ("Bekræft") for at bekræfte patientens indstillinger.
6. Tryk på "Start" ("Start") på berøringskærmen på AirSeal IFS, og den indledende insufflation begynder.
7. Sørg for, at kanylerne er korrekt isat.
8. Fjern Veress-kanylen fra det tvedelte røgtømmende slangesæt med aktivt trækulfilter.
9. Slut den **GENNEMSLIGTIGE** slanges Luer lock-konnektor på det tvedelte røgdledende slangesæt med aktivt trækulfilter til den traditionelle kanylen. Åbn tilløbsventilen/stophanen.
10. Følg beskederne på berøringskærmen til AirSeal IFS. Når du får besked på det, skal du slutte den **BLÅ** slanges Luer lock-konnektor på det tvedelte røgdledende slangesæt med aktivt trækulfilter til den traditionelle kanylen. Insufflationen forbliver aktiv.
11. Når den **BLÅ** slanges Luer lock-konnektor på det tvedelte røgdledende slangesæt med aktivt trækulfilter slutes til den anden traditionelle kanylen, aktiveres røgdledning.

Fjernelse af det tvedelte røgtømmende slangesæt med aktivt trækulfilter

**Bemærk: Se brugervejledningen til iFS vedrørende funktioner, der er knyttet til specifikke softwarerevisioner.**

1. Når indgrebet er færdigt, trykkes på **STOP** (STOP) på berøringskærmen for at standse insufflation (**Bemærk:** Dette resulterer i tab af pneumoperitoneum). Anvend standard laparoskopisk teknik. Fjern alle kirurgiske produkter, og luk relevante portsteder på sædvanlig måde.
2. Flyt grebet på AirSeal iFS til den øverste position eller positionen UNLOCK (ulåst).
3. Fjern det tvedelte røgdulende slangesæt med aktivt trækulfilter fra tilslutningen til slangesættet på AirSeal iFS.
4. Da funktionstesten udføres under indledende opstart, skal enheden genstartes (slukkes/tændes) for hvert indgreb.

## BORTSKAFFELSE

Bortskaf anordningen i overensstemmelse med de lokale hospitalskrav.

## LEVERING

AirSeal optisk adgangsport, AirSeal lavprofil adgangsport, den valgfri lydhatte (8 mm, 12 mm), AirSeal-adgangsport med stump spids, AirSeal-kanylen, det tvedelte røgevakueringsslangesæt med aktivt kulfilter, tre-lumen filterret slangesæt med aktivt kulfilter, enkeltlumen-slangesæt og AirSeal enkeltlumen-adapter leveres alle med sterilt gammasterilisering til brug på en enkelt patient. Bortskaffes efter brug. AirSeal-adgangsportene, lydhatterne og slangesættene er fremstillet uden brug af naturgummilætex.

AirSeal iFS er ikke steril og kan genbruges.

AirSeal® er et registreret varemærke tilhørende CONMED Corporation.

**IKK ONLINE VIGTIGT:** Ifølge amerikansk lovgivning må dette produkt kun sælges af eller på ordination af en læge.

## SWEDISH

AirSeal® iFS

AirSeal®-åtkomstport

Optisk spets utan blad, optisk spets utan blad med låg profil, optisk spets utan blad för handgrepp och åtkomstportar med trubbig spets

AirSeal®-filterslangset

Filterslangset med trippellumen og filter med aktivt kol, filterslangset med tvågrenad røkevakuering og filter med aktivt kol og filterslangset med singellumen

### Schematisk vy: Förtydligande og nomenklatur

<p><b>AirSeal iFS (bild 1)</b></p> <ol style="list-style-type: none"><li>A. På/AV-brytare</li><li>B. Peksärm</li><li>C. Fäste för AirSeal- og røkevakueringsslangen</li><li>D. Låsspak för fastlåsnig av slangset</li><li>E. Slangkontaktidon för standardinsufflationsläge</li></ol> <p><b>Åtkomstportar utan blad (bild 2/3)</b></p> <ol style="list-style-type: none"><li>A. Grenrørkontakt</li><li>B. Kanyl</li><li>C. Obturator med optisk spets utan blad</li><li>D. Kanylspärr</li></ol> <p><b>Åtkomstportar med trubbig spets (bild 4)</b></p> <ol style="list-style-type: none"><li>A. Grenrørkontakt</li><li>B. Kanyl</li><li>C. Obturator med trubbig spets</li><li>D. Fjäderankare – förankringsanordning som fästs med sutur</li></ol> <p><b>Tillval ljudlock (bild 5)</b></p>	<p><b>Slangset (bild 6/7/8)</b></p> <ol style="list-style-type: none"><li>A. Filter</li><li>B. 2,44–3,05 m (8–10 fot) slang</li><li>C. Luerlåsfatning</li><li>D. Adapterenhet med singellumen</li><li>E. Tumkrage</li></ol> <p><b>AirSeal-läge (bild 9)</b></p> <p><b>Røkevakueringssläge (bild 10)</b></p> <p><b>Standardinsufflationsläge (bild 11)</b></p> <p><b>Endoskopinföring (bild 12)</b></p> <ol style="list-style-type: none"><li>A. AirSeal-åtkomstport</li><li>B. Endoskop av lämplig storlek</li></ol> <p><b>Endoskopinföring (bild 13)</b></p> <ol style="list-style-type: none"><li>A. En roterande rörelse under införingen gör att kraften som behövs minskar</li></ol> <p><b>Endoskopborttagning (bild 14)</b></p> <ol style="list-style-type: none"><li>A. Dra tillbaka endoskop</li><li>B. Tryck här för att frigöra kanylen</li></ol> <p><b>AirSeal-åtkomstport med korrekt anslutning till AirSeal-slangset sedd från ovan (bild 15)</b></p> <ol style="list-style-type: none"><li>A. Fena på slangsetets centrumkontakt</li></ol> <p><b>AirSeal-åtkomstport med korrekt anslutning till AirSeal-slangset sedd framifrån (bild 16)</b></p> <ol style="list-style-type: none"><li>A. Fena på slangsetets centrumkontakt</li></ol>
---	---

### VIKTIGT! LÄS NOGA IGENOM FÖLJANDE INFORMATION INNAN DU ANVÄNDER PRODUKTEN.

Den här broschyren är utformad för att hjälpa dig att använda produkten. Den är inte en referens för kirurgiska tekniker. Läs även igenom bruksanvisningen för AirSeal iFS för fullständiga instruktioner avseende AirSeal iFS og alla användningslägen.

### ANVÄNDNINGSSINDIKATIONER:

CONMED AirSeal® iFS-system är avsett att användas vid diagnostiska og/eller terapeutiska endoskopiska ingrepp för att vidga bukhålan genom att fylla den med gas, för att skapa og upprätthålla en gasföseglad obstruktionsfri införingsväg för endoskopiska instrument og för att evakuera rök som uppstår vid vissa kirurgiska förfaranden. Systemet är avsett att användas vid abdominala, thorakala og pediatriska ingrepp där insufflation önskas för att underlätta användningen av flera olika torakoskopiska og laparoskopiska instrument genom att fylla buk- eller brösthålan med gas för att utvidga den. Systemet gör detta genom att etablera og upprätthålla en gasföseglad obstruktionsfri instrumentväg og genom att evakuera rök som uppstår vid vissa kirurgiska ingrepp. Detta instrument kan också användas för att insufflera rektum og kolon för att underlätta endoskopisk observation, diagnos, og behandling. AirSeal® iFS-systemets troakar är avsedd att användas med eller utan visualisering.

### AirSeal iFS har tre driftlägen:

1. **AirSeal-läge (bild 9)**
2. **Røkevakueringssläge (bild 10)**
3. **Standardinsufflationsläge (bild 11)**

### AirSeal-läge:

När AirSeal iFS används i AirSeal-läget är systemet konstruerat för att leverera CO<sub>2</sub>-gas med stabilt pneumoperitoneum og kontinuerlig røkevakuering under laparo-/endoskopisk kirurgi og kräver att AirSeal iFS, AirSeal-åtkomstport og filterslangset med trippellumen og filter med aktivt kol används. Filterslangset med trippellumen og filter med aktivt kol används för att ansluta AirSeal-åtkomstporten till AirSeal iFS (bild 9).

### Røkevakueringssläge:

När AirSeal iFS används i røkevakueringssläget är systemet konstruerat för att leverera CO<sub>2</sub>-gas og kontinuerlig røkevakuering under laparo-/endoskopisk kirurgi og kräver att AirSeal iFS, två konventionella (icke-AirSeal) troakarer med standard luerportar og slangset med grenad røkevakuering og filter med aktivt kol används. De två konventionella troakarerna används till att ansluta slangsetet med grenad røkevakuering og filter med aktivt kol för att tillhandahålla tillförsel av CO<sub>2</sub>-gas tillsammans med en røkevakueringssväg. Slangsetet med grenad røkevakuering og filter med aktivt kol är grenat og ansluter de två konventionella troakarerna till AirSeal iFS (bild 10).

### **Standardinsufflationsläge:**

När AirSeal IFS används i standardinsufflationsläget är AirSeal IFS konstruerat för att tillföra CO<sub>2</sub>-gas och standardinsufflation under laparo-/endoskopisk kirurgi i samma omfattning som konventionella insufflаторer och kräver att AirSeal IFS, en konventionell (*icke-AirSeal*) troakar med luerport av standardtyp och filterslangset med singellumen används. Luerporten på troakaren ansluts till slangsetet med singellumen för att tillhandahålla standardinsufflation och CO<sub>2</sub>-gastillförelse. Filterslangsetet med singellumen ansluter en konventionell troakar till AirSeal IFS (bild 11).

### **AirSeal-åtkomstporten har två tillgängliga konfigurationer:**

- 1. Åtkomstport med optisk spets utan blad (bilderna 2 och 3)**
- 2. Åtkomstport med trubbig spets (bild 4)**

Om någon av åtkomstportarna med optisk spets utan blad används för primär införing, rekommenderas visualisering med hjälp av laparoskop för att öka säkerheten vid införingen i buken.

### **AirSeal-slangsatserna har tre tillgängliga konfigurationer:**

- 1. Filterslangset med trippellumen och filter med aktivt kol (bild 6)**
- 2. Slangset med grenad rökevakuering och filter med aktivt kol (bild 7)**
- 3. Filterslangset med singellumen (bild 8)**

Kontrollera att korrekt slangset används baserat på det valda läget på AirSeal IFS-enheten. Det valda AirSeal IFS-läget fortsätter inte och ett varningsmeddelande visas om fel slangset förs in.

Filterslangset är inte konstruerade för att suga in vätska. Om vätska når filtret kommer ett varningsmeddelande visas på AirSeal IFS pekskärm. Om detta inträffar ska kanylplaceringen kontrolleras och förberedelser för att byta ut slangsetet utföras.

### **VARNINGAR:**

- Om bruksanvisningarna inte följs korrekt kan det leda till allvarliga kirurgiska konsekvenser.
- Komponenterna i AirSeal-systemet ska endast användas av behöriga läkare med kunskap, erfarenhet och utbildning i laparoskopiska tekniker.
- Den här bruksanvisningen omfattar inte beskrivningar av eller instruktioner för kirurgiska tekniker eller laparoskopiska ingrepp. Den läkare som utför ett ingrepp ansvarar för att fastställa lämpligheten av den typ av ingrepp som ska genomföras med dessa produkter och för att fastställa den specifika tekniken för varje patient.
- De medföljande komponenterna i AirSeal-systemet är endast sterila om de används enligt utgångsdatumet och om förpackningen är öppnad och utan skador. FÄR EJ användas efter utgångsdatum eller om förpackningen är öppnad eller skadad.
- Alla engångsanordningar i AirSeal-systemet (åtkomstportar och slangset) är endast förpackade och steriliserade för enpatientsbruk. Får ej återanvändas, ombearbetas eller omsteriliseras. Återanvändning, ombearbetning eller omsterilisering kan försämma anordningens strukturella integritet och/eller leda till fel på anordningen, vilket i sin tur kan leda till att patienten skadas, insjuknar eller avlider. Likaså kan ombearbetning eller omsterilisering av engångsanordningar ge upphov till en risk för kontaminering och/eller infektion eller korsinfektion hos patienterna, inklusive men inte begränsat till överföring av infektionssjukdom(ar) från en patient till en annan. Kontaminering av anordningen kan leda till att patienten skadas, insjuknar eller avlider.
- Sänk inte ned kanylspetsen i spolvätskor eller kroppsvätskor.
- AirSeal IFS-larmet kommer att ljuda om kylventilerna är blockerade på sidorna eller undersidan av styrpanelen. Om larmet ljuder ska du kontrollera om kylventilerna är blockerade.
- Om det ovannämnda tillståndet INTE föreligger och larmet fortsätter att ljuda ska användningen av AirSeal IFS avbrytas och enheten skickas till tillverkaren för service.

### **FÖRSIKTIGHETSÅTGÄRDER:**

- Skapandet av pneumoperitoneum har kända fysiologiska oönskade effekter, däribland minskat venöst återflöde, minskad hjärtminutvolym, nedsatt njurfunktion, ökat intrakraniellt tryck, ökat luftvägsomstånd och minskad eftergivlighet hos lungorna.
- Endast personer som har adekvat utbildning, vana och relevant kompetens för att använda minimalinvasiva kirurgiska tekniker ska utföra minimalinvasiva ingrepp. Se medicinsk litteratur avseende tekniker, komplikationer och risker innan du utför någon typ av minimalinvasivt ingrepp.
- En grundlig kännedom av de principer och tekniker som är involverade i elektrokirurgiska, laser- och ultraljudsförfaranden är nödvändig för att undvika risker för elstötter och brännskador på både patient och medicinsk personal, samt för att undvika skador på anordningen eller andra medicinska instrument. Säkerställ att elektrisk isolering och jordning inte är skadad.
- Risken för luftindragning finns vid följande tillstånd:
  - Starkt externt tryck mot buken
  - Starkt och långvarigt läckage genom andra konventionella portar på plats eller en öppen incision
  - Stark och utdragen sugning
- Under de tillstånd som beskrivs ovan är undantärgångandet av insufflationsgas med luft temporärt och den indragna luften kommer att trängas undan av CO<sub>2</sub>.
- Vi rekommenderar att insufflationstryck > 15 mmHg inte överskrids vid kolorektala ingrepp.
- Högre tryck (> 15 mmHg) för insufflation av koldioxid kan öka risken för hyperkarbi, subkutant emfysem, pneumomediastinum, mediastinalemfysem, pneumothorax, pneumoscrotum och urinretention.
- Vid användning av tillvalet ljudlock (8 mm, 12 mm):
  - Inspektera ljudlocket och försiglingen innan det används.
  - Inspektera ljudlocket igen efter användningen för tecken på alla former av skador.
- Var ytterst försiktig under införingen av AirSeal-åtkomstporten. Felaktig användning av den här produkten kan orsaka livshotande skador på inre organ och kärl.
  - Säkerställ att lämplig pneumoperitoneum eller pneumorectum har upprättats:
  - Säkerställ att patienten är placerad i rätt position, så att organen är åtskilda från penetreringsstället
  - Rikta spetsen på AirSeal-åtkomstporten bort från viktiga kärl och organ
  - Se till att ytterväggen på AirSeal åtkomstport endast är i kontakt med vävnad och varken fastnar mellan eller kolliderar med hårda ytor, t.ex. andra instrument eller ben. Långvarig eller plötslig kontakt med hårda ytor kan leda till att åtkomstporten skadas eller går sönder.
  - Använd inte alltför stor nedåtriktad kraft
- Endast kirurgiska handinstrument får föras genom AirSeal åtkomstport. För INTE i troakarer eller robotinstrument genom AirSeal åtkomstport. Felaktig användning kan leda till att åtkomstporten skadas eller går sönder.
- Konstruktionen av åtkomstporten med optisk spets utan blad är avsedd att minimera risken för penetrationskador på underliggande anatomiska strukturer. Trots detta måste de normala försiktighetsåtgärder som tillämpas vid alla sådana införingar iakttagas.
- Även om åtkomstporten med optisk spets utan blad har en spets "utan blad", måste samma försiktighet iakttagas som med alla sådana instrument, för att undvika skador på stora kärl och andra anatomiska strukturer (såsom tarmar och mesenterium). För att minimera risken för sådana skador är det viktigt att:
  - Upprätta lämplig pneumoperitoneum eller pneumorectum
  - Positionera patienten på ett lämpligt sätt, så att organ flyttas bort från penetrationsområdet
  - Observera viktiga anatomiska landmärken
  - Rikta spetsen på AirSeal-åtkomstporten bort från viktiga kärl och strukturer
  - Använd inte alltför okontrollerad kraft
  - Använd alltid visuell ingångsteknik när det är möjligt
- När partiell införing uppnåtts behövs en mycket liten kraft för fullständig införing. Överdriven kraft kan orsaka skador på underliggande strukturer.
- När korrekt införing har gjorts endoskopiskt, ska åtkomstporten med optisk spets utan blad inte föras framåt för ytterligare penetrering. Om man fortsätter att föra in åtkomstporten i detta läge kan det leda till att underliggande strukturer skadas.
- När säker och korrekt införing har uppnåtts, säkerställ att den svarta linjen vid den distala spetsen på AirSeal-åtkomstporten hela tiden är synlig i håligheten när AirSeal-åtkomstporten används för insufflation.
- Försök inte utföra några sekundära troakarpunktioner förrän det primära stället och det rekommenderade intraabdominella trycket (vanligtvis 12–18 mmHg) har upprättats.

- När kanylen avlägsnats från håligheten ska stället alltid inspekteras avseende hemostas. Om det inte finns hemostas, måste lämpliga tekniker tillämpas för att uppnå hemostas.
- Filterslangset med trippellumen och filter med aktivt kol och slangset med grenad rökevakivering och filter med aktivt kol är försedda med vätskesensorer för att övervaka vätskenivån i filtren och för att varna användare för en möjlig kontaminering av enheten. Om filterhusets vätskelås är fyllt upp till **Low** (Låg) vätskenivå visas ett varningsmeddelande på pekskärmen och en signal ljuder. Placeringen av kanylen och slangarna ska kontrolleras för att säkerställa att ingen mer vätska kommer in i filtret. För i detta läge åter i obturatorn i AirSeal-åtkomstporten och byt ut filterslangsetet.
- Instrument och anordningar som kommer i kontakt med kroppsvätskor kan behöva hanteras och kasseras på särskilt sätt för att undvika biologisk kontaminering.

#### KONTRAIKATIONER

AirSeal IFS ska inte användas när endoskopiska minimalinvasiva tekniker är kontraindikerade.

**VIKTIGT:** Den här bipacksedeln är utformad för att vara en bruksanvisning. Detta är inte en referens eller guide för troakarinföringstekniker. Ett framgångsrikt förfarande vid användning av troakar med optisk spets utan blad som primärport efter insufflering är beroende av igenkänning och åtskillnad av vävnadsskikt. Därför ska nya användare använda troakarer med optisk spets som en sekundär port efter insufflering för att få erfarenhet av och kompetens i att visualisera vävnadsskikten under förfarandet. Endast med tillräcklig erfarenhet av den ovan nämnda tekniken ska troakarer med optisk spets användas som primärport efter insufflering.

**Obs!** Inspektera de sterila barriärssystemen visuellt avseende förpackningsskador som kan påverka steriliteten före aseptisk presentation. Får inte användas om några skador på det sterila barriärssystemet upptäcks.

#### BRUKSANVISNING

##### Allmänna bruksanvisningar för AirSeal-åtkomstport i AirSeal-läget:

**Obs! Se bruksanvisningen för IFS för funktioner associerade med specifika programvaruversioner.**

- Sätt På AirSeal IFS genom att trycka på PÅ/AV-brytaren (bild 1, A).
- Låsspaken på AirSeal IFS ska vara i det övre läget eller i läget UNLOCK (Lossa) (bild 1, D).
- Låt den första självkontrollen avslutas innan du sätter i filterslangsetet med trippellumen.
- Använd steril teknik och ta ut-slangsetet med trippellumen ur förpackningen. Undvik skador genom att vara försiktig när enheten överlämnas till det sterila fältet.
- För in trippellumen-slangsetets filterhus i slangsetet som sitter på framsidan av AirSeal IFS (bild 1, C).
- Tryck ned spakarna i läget LOCK (Lås) (bild 9), AirSeal-läget aktiveras automatiskt.
- Obs!** Om AirSeal Pediatriskt läge är aktiverat, kommer du att uppmanas att välja Vuxen eller Pediatriskt läge. Se bruksanvisningen för AirSeal IFS för detaljer om AirSeal pediatriskt läge.
- Kontrollera på AirSeal IFS pekskärm att gastillförselnivån är tillräcklig (bild 1, B).
- Välj önskad flödes- och tryckinställningar för patienten. Tryck på "Bekräfta" för att bekräfta patientens inställningar.

**Se ytterligare instruktioner nedan för införing av Veress-nål med åtkomstporten med optisk spets utan blad. Denna teknik används inte för abdominell införing av trubbig spets (Hasson-typ). Om Veress-nålteknik inte används för införing, gå vidare till steg 9.**

- Adaptren med singellumen är försluten till filterslangsetet med trippellumen och filter med aktivt kol.
- Anslut adaptren med singellumen till Veress-nålens luerport och för in i enlighet med tillverkarens instruktioner.
- Ställ in önskad flödes- och tryckvärden på AirSeal IFS-pekskärmen.
- Tryck på "Start" på pekskärmen på AirSeal IFS för att påbörja initial insufflation.
- När initial insufflation uppnåtts ska filterslangsetet med trippellumen och filter med aktivt kol tas bort från adaptren med singellumen.
- Avlägsna Veress-nålen.

**Om AirSeal-åtkomstporten inte är den första troakar som placeras ska adaptren med singellumen som är ansluten till filterslangsetet med trippellumen och filter med aktivt kol hållas ansluten och adaptren med singellumen till Luer-porten överföras på den första konventionella standardtroakaren som placerats. Avlägsna inte adaptren med singellumen förrän AirSeal-åtkomstporten förts in.**

- Använd steril teknik för att ta ut AirSeal-åtkomstporten och det extra ljudlocket (8 mm, 12 mm) ur förpackningen. Undvik skador genom att vara försiktig när enheten överlämnas till det sterila fältet.
- AirSeal-åtkomstporten (obturator och kanyl) levereras förmonterad och behöver inte sättas samman. Obs! Om du skulle behöva sätta samman åtkomstporten för du in i obturatorn i kanylen tills de säkert hakar fast i varandra.
- Säkerställ att obturatorn och kanylen är korrekt ihopsatta. **Obs!** Om du använder åtkomstporten med trubbig spets, säkerställ att fjäderankaret också sitter på plats (bild 4, D).
- Gör en incision med kirurgiskt standardförfarande. (Obs! Incisionen ska rymma kanylens diameter. En otillräcklig incision kan leda till ökat motstånd vid införingen, vilket ökar den nödvändiga penetrationskraften och eventuellt kan leda till kontrollförlust under införingen.)

**Den monterade åtkomstporten är färdig för införande. Om åtkomstporten med trubbig spets används ska tillämplig laparoskopisk teknik (Hasson-teknik) användas.**

- För in åtkomstportenheten genom hudincisionen med hjälp av en roterande rörelse som går från 30° till 90°. Applicera ett kontinuerligt men kontrollerat nedåtriktat tryck på handtaget.
- Kontrollera att åtkomstporten är korrekt införd. Obturatorn får inte avlägsnas från kanylen vid den här tidpunkten. **Obs!** Fjäderankaret på åtkomstporten med trubbig spets ska fästas med sutur mot patientens buk på sedvanligt sätt.
- Säkerställ att den svarta linjen vid den distala spetsen på AirSeal-accessporten hela tiden är synlig i håligheten när AirSeal-accessporten används för insufflering.
- Avlägsna grenrörslocket från kanylens sida på AirSeal-åtkomstporten och anslut den distala änden av slangsetet med trippellumenfilter och filter med aktivt kol till kanylens grenrör och dra åt.
- Obs!** Om AirSeal-slangsetet och -åtkomstporten inte är ordentligt åtdragna kan det hända att tryckavläsningen på enheten inte återspeglar det tryck som patienten upplever. En säker anslutning kan bekräftas visuellt när en av vita fenorna på slangsetets centrumkontakt har en inriktning direkt mot överdelen av åtkomstporten (bild 15). Om du tittar rakt in i åtkomstportens centrum medan slangsetet är anslutet ska en av fenorna på slangsetets anslutningsdel sitta direkt vertikalt mot åtkomstporten (bild 16).
- AirSeal aktiveras automatiskt. Lämma obturatorn på plats tills en ton hörs och ett grönt meddelande "AirSeal active" visas.
- Ta bort obturatorn från kanylen genom att klämma på obturatorns spärrknappar för att lossa de två enheterna från varandra. **Obs!** Åtkomstporten med trubbig spets har inga spärrknappar, så den avlägsnas genom att du drar obturatorn rakt ut ur kanylen.
- AirSeal-läget är aktivt och obturatorn avlägsnats från AirSeal-kanylen blir flödet automatiskt. **Obs!** Rökevakiveringsnivån kan ställas in på antingen en High (Hög) eller en Low (Låg) inställning.
- Om så önskas kan det extra ljudlocket (8 mm, 12 mm) nu placeras på kanylen. (Obs! Var försiktig när vassa eller stora instrument förs in genom kanylen om tillvalet ljudlock används. Tillvalet ljudlock kan tas bort från kanylen när som helst under ingreppet och ska tas bort innan vassa eller stora föremål förs in i kanylen.)
- När ingreppet avslutats ska du trycka på **STOP** (Stopp) på pekskärmen för att stoppa AirSeal-insufflationen (**Obs!** Detta kommer att leda till förlust av pneumoperitoneum). Avlägsna alla kirurgiska anordningar och förslut tillämpliga portställen på sedvanligt sätt enligt normal laparoskopisk teknik. **Obs!** När ingreppet är slutfört genomgår AirSeal-läget en slutlig kalibrering före avstängning. Under denna process byggs inget tryck eller insufflation upp. Vänta tills slutlig kalibrering slutförts innan filterslangsetet med trippellumen och filter med aktivt kol tas bort eller IFS stängs av.
- Ställ låsspaken på AirSeal IFS i det övre läget eller i läget UNLOCK (Lossa).
- Avlägsna filterslangsetet med trippellumen och filter med aktivt kol från AirSeal IFS-slangsetet.
- På grund av att det funktionella testet utförs under initial uppstart måste enheten stängas av och sedan sättas på före varje ingrepp.

### Se ytterligare instruktioner nedan för införing av åtkomstporten med optisk spets utan blad med hjälp av ett endoskop.

#### Obs! Se bruksanvisningen för IFS för funktioner associerade med specifika programvaruversioner.

1. Anslut 0°-endoskopet till ljuskällan och monitorn enligt anvisningarna i tillverkarens instruktioner. Kontrollera att endoskopet är korrekt anslutet och säkerställ att det finns en tydlig bild på monitorn.
2. För in endoskopet i öppningen i den proximala änden av åtkomstporten med optisk spets utan blad tills den når åtkomstportens distala spets. (Endoskopinföring, bild 12.)
3. Vrid endoskopet efter behov. (Endoskopinföring, bild 13.)
4. För att få en tydlig bild på monitorn för du in endoskopet i handtaget till åtkomstporten med optisk spets utan blad, låte den optiska spetsen röra vid en lämplig mjuk yta och fokusera kameran.
5. Gör en incision med kirurgiskt standardförfarande. (**Obs!** Incisionen ska rymma kanylens diameter. En otillräcklig incision kan leda till ökat motstånd vid införingen, vilket ökar den nödvändiga penetrationskraften och eventuellt kan leda till kontrollförlust under införingen.) För in åtkomstportenheten genom hudincisionen med hjälp av en roterande rörelse som går från 30° till 90°. Applicera ett kontinuerligt men kontrollerat nedåtriktat tryck på handtaget.
6. Använd ett laparo-/endoskop under införingen av åtkomstporten för att se åtkomstportens penetration genom de individuella vävnadsskikten. De enskilda vävnadsskikten kan ses allteftersom åtkomstporten förs framåt.
7. Avlägsna laparo-/endoskopet från åtkomstporten med optisk spets utan blad (endoskopborttagning, bild 14).
8. Fortsätt ingreppet enligt instruktionerna ovan och börja med steg 13.

### **BRUKSANVISNING**

#### **Bruksanvisning för transanal användning av AirSeal-åtkomstporten i AirSeal-läge:**

#### Obs! Se bruksanvisningen för IFS för funktioner associerade med specifika programvaruversioner.

1. Sätt På AirSeal IFS genom att trycka på PÅ/AV-brytaren (bild 1, A).
2. Låsspaken på AirSeal IFS ska vara i det övre läget eller i läget UNLOCK (Lossa) (bild 1, D).
3. Låt den första självkontrollen avslutas innan du sätter i filterslangsetet med trippellumen.
4. Använd steril teknik och ta ut-slangsetet med trippellumen ur förpackningen. Undvik skador genom att vara försiktig när enheten överlämnas till det sterila fältet.
5. För in trippellumen-slangsetets filterhus i slangsetfästet som sitter på framsidan av AirSeal IFS (bild 1, C).
6. Tryck ned spakarna i läget LOCK (Lås) (bild 9), aktiveras AirSeal-läget automatiskt.  
**Obs!** Om AirSeal Pediatriskt läge är aktiverat, kommer du att uppmanas att välja Vuxen eller Pediatriskt läge. Se bruksanvisningen för AirSeal IFS för detaljer om AirSeal pediatriskt läge.
7. Kontrollera på AirSeal IFS pekskärm att gastillförselnivån är tillräcklig (bild 1, B).
8. Välj önskade flödes- och tryckinställningar för patienten. Tryck på "Bekräfta" för att bekräfta patientens inställningar.
9. Använd steril teknik för att ta ut AirSeal-åtkomstporten och det extra ljudlocket (8 mm, 12 mm) ur förpackningen. Undvik skador genom att vara försiktig när enheten överlämnas till det sterila fältet.
10. AirSeal-åtkomstporten (obturator och kanyl) levereras förmonterad och behöver inte sättas samman.  
**Obs!** Om du skulle behöva sätta samman åtkomstporten för du in i obturatoren i kanylen tills de säkert hakar fast i varandra.
11. Säkerställ att obturatoren och kanylen är korrekt ihopsatta.
12. Följ bruksanvisningen från tillverkaren av vald enhet för transanal åtkomstplattformen för placering i rektum.
13. När in åtkomstporten i den transanala åtkomstplattformen genom lämpligt lumen- eller kanylläge. När åtkomstporten förs in i den transanala åtkomstplattformen ska den föras in med en vridande rörelse som går från 30° till 90°. Applicera ett konstant men kontrollerat axiellt tryck på åtkomstporten tills den sitter säkert i den transanala åtkomstplattformen.
14. Säkerställ att obturatoren och kanylen är korrekt införda. Obturatorom får inte avlägsnas från kanylenheten vid den här tidpunkten.
15. Avlägsna grenrörlocket från kanylens sida på AirSeal-åtkomstporten och anslut den distala änden av slangsetet med trippellumenfilter och filter med aktivt kol till kanylens grenrör och dra åt.  
**Obs!** Om AirSeal-slangsetet och -åtkomstporten inte är ordentligt åtdragna kan det hända att tryckavläsningen på enheten inte återspeglar det tryck som patienten upplever. En säker anslutning kan bekräftas visuellt när en av de vita fenorna på slangsetets centrumkontakt har en inriktning direkt mot överdelen av åtkomstporten (bild 15). Om du tittar rakt in i åtkomstportens centrum medan slangsetet är anslutet ska en av fenorna på slangsetets anslutningsdel sitta direkt vertikalt mot åtkomstporten (bild 16).
16. AirSeal aktiveras automatiskt. Lämnar obturator på plats tills en ton hörs och ett grönt meddelande "AirSeal active" visas.
17. Ta bort obturatoren från kanylen genom att klämma på obturatorns spärknappar för att lossa de två enheterna från varandra.
18. När AirSeal-läget är aktivt och obturator avlägsnats från AirSeal-kanylen blir flödet automatiskt.  
**Obs!** Rökavkäringsnivån kan ställas in på antingen en High (Hög) eller en Low (Låg) inställning.
19. Om så önskas kan det extra ljudlocket (8 mm, 12 mm) nu placeras på kanylen. (**Obs!** Var försiktig när vassa eller stora instrument förs in genom kanylen om tillvalet ljudlock används. Tillvalet ljudlock kan tas bort från kanylen när som helst under ingreppet och ska tas bort innan vassa eller stora föremål förs in i kanylen.)
20. När ingreppet avslutats ska du trycka på **STOP** (Stopp) på pekskärmen för att stoppa AirSeal-insufflationen (**Obs!** Detta kommer att leda till förlust av pneumoperitoneum). Avlägsna alla kirurgiska anordningar och förslut tillämpliga portställen på sedvanligt sätt enligt normal laparoskopisk teknik.  
**Obs!** När ingreppet är slutfört genomgå AirSeal-läget en slutlig kalibrering före avstängning. Under denna process bygs inget tryck eller insufflation upp. Vänta tills slutlig kalibrering slutförts innan filterslangsetet med trippellumen och filter med aktivt kol tas bort eller IFS stängs av.
21. Ställ låsspaken på AirSeal IFS i det övre läget eller i läget UNLOCK (Lossa).
22. Avlägsna filterslangsetet med trippellumen och filter med aktivt kol från AirSeal IFS-slangsetfästet.
23. På grund av att det funktionella testet utförs under initial uppstart måste enheten stängas av och sedan sättas på före varje ingrepp.

#### **Allmän bruksanvisning – Rökavkäringsläget och standardinsufflationsläget:**

### **INITIAL INSUFFLATION MED VERESS-NÅL**

#### Obs! Se bruksanvisningen för IFS för funktioner associerade med specifika programvaruversioner.

1. Sätt På AirSeal IFS genom att trycka på PÅ/AV-brytaren (bild 1, A).
2. Välj antingen rökavkäringsläget eller standardinsufflationsläget på pekskärmen i lägesvallen på AirSeal IFS när den initiala diagnostiska självkontrollen är klar (bild 1, B).
3. Kontrollera på AirSeal IFS pekskärmen att gastillförselnivån är tillräcklig (bild 1, B).
4. Anslut lämpligt slangset till AirSeal IFS (se specifika instruktioner nedan för anslutning av slangsetet med grenad rökavkärning och filter med aktivt kol).  
**Obs!** Motsats till andra slangset ansluts slangsetet med singellumen till insufflationslangens anslutning på framsidan av AirSeal IFS.
5. Anslut slangsetets luerlås till änden på en Veress-nål eller konventionell troakar på sedvanligt sätt. (Se specifika instruktioner nedan för anslutning av slangsetet med grenad rökavkärning och filter med aktivt kol).
6. Ställ in önskade flödes- och tryckvärden på AirSeal IFS-pekskärmen. Tryck på "Bekräfta" för att bekräfta patientens inställningar.
7. Tryck på "Start" på pekskärmen på AirSeal IFS för att påbörja initial insufflation.
8. När initial insufflation har uppnåtts **den konventionella troakaren med luerportar av standardtyp föras in.**
9. När ingreppet avslutats tryck på **STOP** (Stopp) på pekskärmen för att stoppa insufflationen (**Obs!** Detta kommer att leda till förlust av pneumoperitoneum). Avlägsna alla kirurgiska anordningar och förslut tillämpliga portställen på sedvanligt sätt enligt normal laparoskopisk teknik.
10. Avlägsna slangsetet från AirSeal IFS (se specifika instruktioner nedan för borttagning av slangsetet med grenad rökavkärning och filter med aktivt kol).
11. På grund av att det funktionella testet utförs under initial uppstart måste enheten stängas av och sedan sättas på före varje ingrepp.

## (Se ytterligare instruktioner nedan för slangsetet med grenad rökevakuering och filter med aktivt kol)

**För användning med två konventionella troakarer med luerportar av standardtyp och slangsetet med grenad rökevakuering och filter med aktivt kol.**

Ofärgad slang: Insufflation

Blå slang: Rökevakuering

### Ansluta slangsetet med grenad rökevakuering och filter med aktivt kol

**Obs! Se bruksanvisningen för IFS för funktioner associerade med specifika programvaruversioner.**

1. Låsspaken på AirSeal IFS ska vara i det övre läget eller i läget UNLOCK (Lossa) (bild 1, D).
2. För in filterhus för slangsetet med grenad rökevakuering och filter med aktivt kol i slangsetanslutningen som sitter på framsidan av AirSeal IFS (bild 1, C).
3. Tryck ned spakarmen i läget LOCK (Lås).
4. Anslut Veress-nålen till den ofärgade slangens luerlås på slangsetet med grenad rökevakuering och filter med aktivt kol.
5. Ställ in önskade flödes- och tryckvärden på AirSeal IFS-pekskärmen. Tryck på "Bekräfta" för att bekräfta patientens inställningar.
6. Tryck på "Start" på pekskärmen på AirSeal IFS för att påbörja initial insufflation.
7. Säkerställ att kanylen är korrekt införd.
8. Avlägsna Veress-nålen och ta bort den från slangsetet med grenad rökevakuering och filter med aktivt kol.
9. Anslut den **OFÄRGADE** slangens luerlås på slangsetet med grenad rökevakuering och filter med aktivt kol till den konventionella kanylen. Öppna inflodesventilen/kranen.
10. Följ uppmaningarna på AirSeal IFS-pekskärmen. Anslut den **BLÅ** slangens luerlås på slangsetet med grenad rökevakuering och filter med aktivt kol till en annan konventionell kanyl. Insufflationen fortsätter att vara aktiv.
11. När den **BLÅ** slangens luerlås på slangsetet med grenad rökevakuering och filter med aktivt kol är ansluten till den andra konventionella kanylen är rökevakueringen aktiverad.

**ALLVARLIGA INCIDENTER – Rapportera omedelbart alla allvarliga incidenter vid användning av den här enheten till CONMED:s kundtjänst eller din lokala CONMED-representant. E-post: CustomerExperience@CONMED.com**

### Borttagning av slangsetet med grenad rökevakuering och filter med aktivt kol

**Obs! Se bruksanvisningen för IFS för funktioner associerade med specifika programvaruversioner.**

1. När ingreppet avslutats ska du trycka på **STOP** (Stopp) på pekskärmen för att stoppa insufflationen (**Obs!** Detta kommer att leda till förlust av pneumoperitoneum). Avlägsna alla kirurgiska anordningar och förslut tillämpliga portställen på sedvanligt sätt enligt normal laparoskopisk teknik.
2. Ställ låsspaken på AirSeal IFS i det övre läget eller i läget UNLOCK (Lossa).
3. Avlägsna slangsetet med grenad rökevakuering och filter med aktivt kol från AirSeal IFS-slangsetet.
4. På grund av att det funktionella testet utförs under initial uppstart måste enheten stängas av och sedan sättas på före varje ingrepp.

### **KASSERING**

Kassera produkten i enlighet med lokala sjukhuskrav.

### **LEVERANSKICK**

AirSeal optisk åtkomstport, AirSeal åtkomstport med låg profil, tillvalet ljudlock (8 mm, 12 mm), AirSeal åtkomstport med trubbig spets, AirSeal kanyl, slangset med grenad rökevakuering och filter med aktivt kol, slangset med trippelumenfilter och filter med aktivt kol, slangset med singellumen och AirSeal enkellumenadapter levereras alla sterila genom gammastrålning för enpatientsbruk. Kassera efter användning. AirSeal åtkomstportar, ljudlock och slangset är inte tillverkade med naturlig gummiläxa.

AirSeal IFS är steril och återanvändbar.

AirSeal® är ett registrerat varumärke som tillhör CONMED Corporation.

**IRX ONLY VAR FÖRSIKTIG!** Amerikansk federal lag begränsar försäljningen av den här anordningen till eller på beställning av läkare.

## **FINNISH**

### **AirSeal® IFS**

#### **AirSeal® -portti**

Terättömällä optisella kärjellä varustettu troakaari, terättömällä optisella kärjellä varustettu kapea troakaari, kämmenotteella käytettävä terättömällä optisella kärjellä varustettu troakaari ja typpäkärkiset portit

Suodatetut **AirSeal®** -letkusarjat

Aktiivihiilisuodattimella varustettu suodatettu kolmioteloinen letkusarja, aktiivihiilisuodattimella varustettu haaroitettu savunpoistoletkusarja, suodatettu yksioteloinen letkusarja

### **Kaavio: kuva ja osat**

<p><b>AirSeal IFS (kuva 1)</b></p> <p>A. ON/OFF-kytkin (virtakytkin)</p> <p>B. Kosketusnäyttö</p> <p>C. Liitin AirSeal- ja savunpoistotiloja varten</p> <p>D. Vipu, jolla letkusarja lukitaan paikalleen</p> <p>E. Kaasutäyttöletkun liitäntä normaalia kaasutäyttötillaa varten</p> <p><b>Terättömät portit (kuva 2/3)</b></p> <p>A. Kaasuohjojen liitin</p> <p>B. Kanyyli</p> <p>C. Terättömällä optisella kärjellä varustettu sisäänviejä</p> <p>D. Kanyylin salpa</p> <p><b>Typpäkärkiset portit (kuva 4)</b></p> <p>A. Kaasuohjojen liitin</p> <p>B. Kanyyli</p> <p>C. Typpäkärkinen sisäänviejä</p> <p>D. Jousikiinnitin – ommelidonnan ankkurilaite</p> <p><b>Valinnainen äänitlppa (kuva 5)</b></p>	<p><b>Letkusarjat (kuva 6/7/8)</b></p> <p>A. Suodatin</p> <p>B. 8–10 ft (2,44–3,05 metrin) letku</p> <p>C. Luer-liitin</p> <p>D. Yksioteloinen sovitin</p> <p>E. Siipirengas</p> <p><b>AirSeal-toimintatila (kuva 9)</b></p> <p><b>Savunpoistotila (kuva 10)</b></p> <p><b>Normaali kaasutäyttötilla (kuva 11)</b></p> <p><b>Endoskoopin sisäänvienti (kuva 12)</b></p> <p>A. AirSeal-portti</p> <p>B. Sopivan kokoinen endoskooppi</p> <p><b>Endoskoopin sisäänvienti (kuva 13)</b></p> <p>A. Kiertäminen sisäänviennin aikana keventää työntövoimaa</p> <p><b>Endoskoopin poistaminen (kuva 14)</b></p> <p>A. Vedä endoskooppi ulos</p> <p>B. Irrota kanyyli painamalla tätä</p> <p><b>Näkymä AirSeal-portista ylhäältä, kun se on liitetty oikein AirSeal-letkusarjaan (kuva 15)</b></p> <p>A. Letkusarjan aukkoliittimen ripa</p> <p><b>Näkymä AirSeal-portista edestä, kun se on liitetty oikein AirSeal-letkusarjaan (kuva 16)</b></p> <p>A. Letkusarjan aukkoliittimen ripa</p>
---	--

### **TÄRKEÄÄ! LUE SEURAAVAT TIEDOT TARKASTI ENNEN LAITTEEN KÄYTTÄMISTÄ.**

Tämän ohjeen tarkoituksena on opastaa laitteen käytössä. Se ei ole kirurgisten tekniikoiden ohje. Lue lisäksi AirSeal IFS -laitetta ja kaikkia toimintatiloja koskevat ohjeet AirSeal IFS -käyttöohjeista.

## KÄYTTÖOHJEET:

CONMED AirSeal™ iFS System on tarkoitettu diagnostiisiin ja/tai hoitollisiin endoskooppisiin toimenpiteisiin oteloiden laajentamiseen täyttämällä ne kaasulla, endoskooppisten instrumenttien kaasutiivii ja esteettömän instrumentin sisäänvientikanavan luomiseen ja ylläpitämiseen sekä kirurgisissa toimenpiteissä syntyvän savun poistamiseen. Se on tarkoitettu useisiin vatsan, rintakehän ja pediatriisiin toimenpiteisiin erilaisten rintakehän ja laparoskooppisten instrumenttien käytön helpottamiseksi täyttämällä vatsa tai rintaontelo kaasulla, muodostamalla kaasutiivis ja esteetön instrumentin sisäänvientikanava sekä imemällä kirurginen savukaasu pois. Järjestelmää voidaan käyttää myös peräsuolen ja paksusuolen laajentamiseen endoskooppisilla, diagnostisilla ja terapeuttisilla toimenpiteitä varten. AirSeal™ iFS -järjestelmän troakaari on tarkoitettu käytettäväksi visualisoinnin kanssa tai ilman sitä.

### AirSeal iFS -laitteessa on kolme toimintatilaa:

1. **AirSeal-toimintatila (kuva 9)**
2. **Savunpoistotila (kuva 10)**
3. **Normaali kaasutäyttötila (kuva 11)**

### AirSeal Mode (AirSeal-tila):

Kun AirSeal iFS -laitetta käytetään AirSeal-tilassa, laite tuottaa CO<sub>2</sub>-kaasua, pitää vatsaontelon vakaana ja poistaa savua jatkuvasti laparotomikooppisten leikkauksen aikana. AirSeal iFS -laitteen yhteydessä on käytettävä AirSeal-porttia ja aktiivihiihsuodattimella varustettua suodatettua kolmiotelosta letkusarjaa. Aktiivihiihsuodattimella varustetun suodatetun kolmioteloksen letkusarjan avulla AirSeal-portti yhdistetään AirSeal iFS -laitteeseen (kuva 9).

### Smoke Evacuation Mode (Savunpoistotila):

Kun AirSeal iFS -laitetta käytetään savunpoistotilassa, laite tuottaa CO<sub>2</sub>-kaasua ja poistaa savua jatkuvasti laparotomikooppisten leikkauksen aikana. AirSeal iFS -laitteen yhteydessä on käytettävä kahta Luer-vakioportteilla varustettua perinteistä troakaaria (muu kuin AirSeal) ja aktiivihiihsuodattimella varustettua haaroitettua savunpoistoletkusarjaa. Kahden perinteisen troakaarin avulla aktiivihiihsuodattimella varustettu haaroitettu savunpoistoletkusarja yhdistetään laitteeseen CO<sub>2</sub>-kaasun toimittamista ja savunpoistoa varten. Aktiivihiihsuodattimella varustetun haaroitettun savunpoistoletkusarjan avulla kaksi perinteistä troakaaria yhdistetään AirSeal iFS -laitteeseen (kuva 10).

### Standard Insufflation Mode (Normaali kaasutäyttötila):

Kun AirSeal iFS -laitetta käytetään normaalissa kaasutäyttötilassa, laite tuottaa CO<sub>2</sub>-kaasua ja huulehtii normaalisti kaasutäytöstä laparotomikooppisten leikkauksen aikana samalla tavalla kuin perinteiset insufflaattorit. AirSeal iFS -laitteen yhteydessä on käytettävä yhtä Luer-vakioportilla varustettua perinteistä troakaaria (*muu kuin AirSeal*) ja suodattimella varustettua yksiontelosta letkusarjaa. Troakaarin Luer-portti yhdistetään suodattimella varustettuun yksionteloiseen letkusarjaan normaali kaasutäyttöä ja CO<sub>2</sub>-kaasun toimitusta varten. Suodattimella varustetulla yksionteloisella letkusarjalla yhdistetään yksi perinteinen troakaari AirSeal iFS -laitteeseen (kuva 11).

### AirSeal-porteilla on kaksi kokoonpanoa:

1. **Terättömällä optisella kärjellä varustettu portti (kuvat 2 ja 3)**
2. **Tylppäkärkinen portti (kuva 4)**

Jos primääriä sisäänvientiä varten käytetään terättömällä optisella kärjellä varustettua porttia, vatsaontelon sisäänviennin turvallisuutta on suositeltavaa parantaa laparoskoopin näkökontrollilla.

### AirSeal-letkusarjoilla on kolme kokoonpanoa:

1. **Aktiivihiihsuodattimella varustettu suodatettu kolmioteloinen letkusarja (kuva 6)**
2. **Aktiivihiihsuodattimella varustettu haaroitettu savunpoistoletkusarja (kuva 7)**
3. **Suodatettu yksionteloinen letkusarja (kuva 8)**

Varmista asiaankuuluvan letkusarjan käyttö AirSeal iFS -laitteen valitun tilan mukaan. Jos liitetynä on väärä letkusarja, AirSeal iFS -tila ei toimi ja näyttöön tulee varoitus.

Letkusarjoja ei ole tarkoitettu nestetäyttöä varten. Jos suodattimeen pääsee nestettä, AirSeal iFS -kosketusnäyttöön tulee varoitus. Jos näin tapahtuu, tarkista kanyylin sijoitus ja valmistaudu vaihtamaan letkusarja.

## VAROITUKSIA:

- Käyttöohjeiden noudattamatta jättämisestä voi aiheutua vakavia kirurgisia seurauksia.
- AirSeal-järjestelmän osia saavat käyttää ainoastaan pätevät lääkärit, joilla on riittävä laparoskooppisia tekniikoita koskeva tietämys, kokemus ja koulutus.
- Nämä ohjeet eivät sisällä kirurgisten tekniikoiden ja laparoskooppisten toimenpiteiden ohjeita ja kuvauksia. Näiden tuotteiden avulla tehtävän toimenpiteen tyyppin sopivuuden ja nimenomaisen tekniikan määrittäminen kullekin potilaalle on kunkin toimenpiteen tekevän lääkärin vastuulla.
- AirSeal-järjestelmän sisältämät osat ovat steriilejä vain, jos ne käytetään vanhenemispäivään mennessä ja jos pakkaus on avautunut ja ehjä. Niitä EI saa käyttää vanhenemispäivän jälkeen eikä silloin, kun pakkaus on avautunut tai rikkoutunut.
- Kaikki kertakäyttöiset AirSeal-järjestelmän laitteet (portit ja letkusarjat) on pakattu ja steriloitu vain yhdellä potilaalla käyttämistä varten. Ei saa steriloida uudelleen, käsitellä uudelleen eikä käyttää uudelleen. Uudelleenkäyttö, -käsittely ja -sterilointi voivat vahingoittaa laitteen rakennetta ja/tai aiheuttaa toimintahäiriön, joka voi puolestaan johtaa potilaan vammautumiseen, sairastumiseen tai kuolemaan. Kertakäyttöisten laitteiden uudelleenkäsitteily tai -sterilointi voi lisäksi aiheuttaa kontaminaatiovaaran ja/tai potilasinfection tai risti-infektion vaaran, esimerkiksi tarttuvan taudin (tai tautien) siirtymisen vatsan potilaasta toiseen. Laitteen kontaminoitumista voi johtaa potilaan vammautumiseen, sairastumiseen tai kuolemaan.
- Kanyylin kärkeä ei saa upottaa huuhdelu- ja ruumiinesteisiin.
- AirSeal iFS antaa hälytyksensä, jos ohjauskonsolin pohjassa tai kyljessä olevat jäähdyttimeen aukot ovat tukossa. Jos hälytysääni kuuluu, tarkista, ovatko jäähdyttimeen aukot tukossa.
- Jos kyseessä EI ole edellä mainittu tilanne ja hälytysääni kuuluu edelleen, poista AirSeal iFS käytöstä ja palauta se valmistajalle huollettavaksi.

## VAROITIMET:

- Vatsaontelon täyttämällä ilmalla on tunnettuja fysiologisia sivuvaikutuksia, kuten vähentynyt laskimopainus, pienentynyt sydämen minuuttilaavuus, heikentynyt munuaistoiminta, suurentunut kallonsisäinen paine, suurentunut hengitysteiden vastus ja vähentynyt keuhkokomplianssi.
- Mini-invasiivisia toimenpiteitä saavat suorittaa vain soveltuva koulutusta saaneet ja mini-invasiivisiin kirurgisiin tekniikoihin perehtyneet henkilöt. Lue lääketieteellisestä kirjallisuudesta tekniikoihin, komplikaatioihin ja vaaroihin liittyviä tietoja ennen mini-invasiivisten toimenpiteiden suorittamista.
- Laser- ja ultraäänitoimenpiteiden sekä sähkökirurgisten toimenpiteiden tekniikoihin ja periaatteisiin on perehdyttävä, jotta potilaalle ja henkilöstölle ei aiheudu sähköiskuja ja palovammoja eivätkä laite ja muut instrumentit vahingoitu. Varmista, että sähköistys ja maadoitus ovat kunnossa.
- Ilman sekoittuminen on mahdollista seuraavissa tilanteissa:
  - vatsaa painetaan voimakkaasti ulkopuolelta
  - voimakas ja pitkittynyt vuoto muiden paikoillaan olevien perinteisten porttien tai avoimen viillon kautta
  - voimakas ja jatkuva imu.
- Edellä mainituissa tilanteissa täyttökaasun syrjäytyminen ilmalla on väliaikaista ja ilman tilalle tulee CO<sub>2</sub>-kaasua.
- On suositeltavaa, että kaasutäyttöpaine ei ole > 15 mm Hg koolonin ja peräsuolen toimenpiteissä.
- Korkeammat kaasutäyttöpaineet (> 15 mm Hg) hiiliidioksidin kanssa voivat lisätä hyperkapnia, ihonalaisen keuhkolaajentuman, pneumomediastinumia, ilmarinnan, ilman kivespussiin kertymisen ja virtsaamisen riskiä.
- Jos käytät valinnaista äänitulpaa (8 mm, 12 mm):
  - Tarkasta äänitulpan vaahtomuvi ja tiiviste ennen käyttöä.
  - Tarkasta käytön jälkeen, ettei äänitulpassa ole fyysisiä vaurioita.
- Noudata AirSeal-portin sisäänviennissä äärimmäistä varovaisuutta. Tämän tuotteen virheellinen käyttö voi johtaa sisäelinten ja suonten hengenvaaralliseen vaurioon.
  - Varmista, että vatsaontelossa tai peräsuolella on riittävästi kaasua.
  - Varmista, että potilas on asetettu oikein, niin että elimiä ei ole penetraatiokohdassa.

- Ohjaa AirSeal-portin kärki pois päin merkittävistä suonista ja elimistä.
- Huolehdi siitä, että AirSeal-portin ulkoseinä on kosketuksissa vain kudokseen, eikä jää kiinni kovien pintojen, kuten muiden instrumenttien tai luun, väliin eikä törmää niihin. Pitkäaikainen tai äkillinen kosketus koviin pintoihin voi johtaa portin vaurioitumiseen tai rikkoutumiseen.
- Älä käytä liiallista alaspäin suuntautuvaa voimaa.
- AirSeal-portin kautta saa viedä vain kirurgisia käsi-instrumentteja. ÄLÄ vie sisään troakaareja tai robotti-instrumentteja AirSeal-portin kautta. Vääräntyylinen käyttö voi johtaa portin vaurioitumiseen tai rikkoutumiseen.
- Terättömällä optisella kärjellä varustetun portin ominaisuuksien tarkoituksena on vähentää alapuolella olevien anatomisten rakenteiden lävistysvammojen todennäköisyyttä. Niiden sisäänvientiin liittyviä tavanomaisia varotoimia on silti noudatettava.
- Vaikka terättömällä optisella kärjellä varustetussa portissa on terätön kärki, troakaaria käytettäessä on varottava suurten verisuonten ja muiden anatomisten rakenteiden (kuten suolen ja suolileipeen) vahingoittumista. Vähennä vahingoittumisriskiä:
  - Muodosta riittävä vatsaontelon ja peräsuolen kaasutyttö.
  - Asettele potilas siten, että elimet eivät tule tielle sisäänvientialueella.
  - Pidä silmällä tärkeitä anatomisia viitepisteitä.
  - Ohjaa AirSeal-portin kärki pois päin merkittävistä suonista ja rakenteista.
  - Älä käytä liiallista tai hallitsematonta voimaa.
  - Käytä sisäänvientiä näkökontrollilla aina, kun se on mahdollista.
- Kun sisäänvienti on osittain valmis, sen valmiiksi saattamiseksi tarvitaan hyvin vähän voimaa. Liiallinen voima voi vaurioittaa alapuolella olevia anatomisia rakenteita.
- Kun vatsaonteloon on tehty sopiva kulkureitti endoskopian avulla, terättömällä optisella kärjellä varustettua porttia ei saa enää työntää eteenpäin. Portin työntäminen eteenpäin tässä vaiheessa voisi vaurioittaa alapuolella olevia anatomisia rakenteita.
- Kun turvallinen ja asianmukainen sisäänvienti on saatu tehtyä, varmista, että AirSeal-portin distaalikärjen musta viiva on aina näkyvässä ontelossa, kun AirSeal-porttia käytetään täyttöä varten.
- Toisia troakaaripistoja ei saa yrittää tehdä, ennen kuin ensimmäinen pistokohta on valmis ja suositeltu vatsansisäinen paine (yleensä 12–18 mmHg) on saavutettu.
- Kun kanyyli on poistettu ontelosta, tarkasta aina punktiokohdan hemostaasi. Jos verenvuoto ei ole tyrehtynyt, tyrehdytä se sopivalla menetelmällä.
- Aktiivihiihsuodattimella varustetussa suodatetussa kolmioteloisella letkusrassissa ja aktiivihiihsuodattimella varustetussa haaroitetussa savunpoistetusjärjestelmässä on nesteaturit, jotka valvovat suodatimissa olevaa nestemäärää ja varoittavat käyttäjää laitteen mahdollisesta kontaminoitumisesta. Jos suodatintekotelineen nesteeseen erotin on täyttynyt **Low** (Pleni) -nestemäärään asti, kosketusnäyttöön tulee varoitus ja laite antaa merkkiään. Tarkista troakaarin ja letkun asento, jotta suodatimeen ei enää virtaisi mieluiten lainkaan nestettä. Työnä obturaattori tässä vaiheessa uudelleen AirSeal-porttiin ja vaihda suodatimella varustettu letkusrassa.
- Ruumiinesteiden kanssa kosketuksissa olleet instrumentit ja laitteet saattavat edellyttää erityistä hävittämismenetelmää biologisen kontaminaation estämiseksi.

## VASTA-AIHEET

AirSeal IFS -laitetta ei ole tarkoitettu käytettäväksi silloin, kun endoskooppiset mini-invasiiviset tekniikat ovat vasta-aiheisia.

**TÄRKEÄÄ:** Tämä pakkausseloste sisältää käyttöohjeita. Kyseessä ei ole troakaarin sisäänvientitekniikoita koskeva ohje. Kudoksetusten tunnistaminen ja erottaminen vaikuttaa terättömällä optisella kärjellä varustetun troakaarin pääportin käytön onnistumiseen täyden jälkeen. Siksi uusien käyttäjien on käytettävä optisella kärjellä varustettuja troakaareja sekundaarisena porttina täyden jälkeen, jotta he saavat kokemusta ja osaamista kudoksetusten visualisoinnissa. Optisella kärjellä varustetut troakaarit on otettava ensisijaiseksi portiksi täyttämisen jälkeen vasta, kun edellä mainitusta tekniikasta on saatu kokemusta.

**Huomautus:** Tarkista steriili suojajärjestelmä (tai suojajärjestelmät) ennen asetusta käyttöönottoa silmämääräisesti sellaisten pakkausten ehden ongelmien varalta, jotka voisivat vaikuttaa steriiliyteen. Älä käytä laitetta, jos steriili suojajärjestelmä ei ole täysin ehjä.

## KÄYTTÖOHJEET

### AirSeal-portin yleiset käyttöohjeet AirSeal-toimintatilassa:

**Huomautus: Tiedot tiettyihin ohjelmistoversioihin liittyvistä toiminnoista ovat iFS-käyttöohjeissa.**

1. Käynnistä AirSeal IFS painamalla ON/OFF-kytkintä (virtakytkin) (kuva 1, A).
  2. AirSeal IFS -laitteen vivun on oltava yläasennossa eli UNLOCK (Lukitus vapautettu) -asennossa (kuva 1, D).
  3. Odota, että diagnostinen itsetarkistus valmistuu ennen kolmioteloisen suodatetun letkusran liittämistä.
  4. Poista kolmioteloisen letkusto pakkauksesta steriilillä menetelmällä. Älä heitä laitetta steriilille alustalle, jotta se ei vahingoitu.
  5. Aseta kolmioteloisen letkuston suodatintekoteline letkuston liittimeen, joka sijaitsee AirSeal IFS -laitteen etupuolella (kuva 1, C).
  6. Paina vipu alas LOCK (Lukittu) -asentoon (kuva 9). AirSeal Mode (AirSeal-tila) aktivoituu automaattisesti.
- Huomaa:** Jos AirSeal Pediatric Mode (AirSeal, lapsilla) on aktivoitu, käyttäjää pyydetään valitsemaan AirSeal Mode (AirSeal-tila) -toiminnon asetuksiksi Adult (Aikuinen) tai Pediatric (Lapsi). Lisätietoja Pediatric AirSeal Mode (Pediatrisen AirSeal-tila) -tilasta löytyy AirSeal IFS -käyttöohjeista.
7. Varmista AirSeal IFS -kosketusnäytöstä, että kaasun syöttötaso on riittävä (kuva 1, B).
  8. Valitse potilaalle sopivat virtaus- ja paineasetukset. Vahvista potilasasetukset painamalla Confirm (Vahvista).

**Lue jäljempänä annetuista ohjeista, kuinka Veressin neula asetetaan terättömällä optisella kärjellä varustetun portin kanssa. Tätä tekniikkaa ei käytetä tyllpääräisen (Hassonin) troakaarin sisäänvientiä. Jos sisäänvientiä ei käytetä Veressin neulaa, siirry vaiheeseen 9.**

- Yksionteloinen sovitin on esikiinnitetty aktiivihiihsuodattimella varustettuun suodatettuun kolmioteloiseen letkusrajaan.
- Liitä yksionteloinen sovitin Veressin neulan Luer-porttiin ja vie se sisään valmistajan ohjeiden mukaan.
- Aseta halutut virtaus- ja painearvot AirSeal IFS -kosketusnäytöllä.
- Paina AirSeal IFS -kosketusnäytön Start (Käynnistä) -painiketta, jolloin alustava kaasutyttö käynnistyy.
- Kun alustava kaasutyttö on saavutettu, irrota aktiivihiihsuodattimella varustettu suodatettu kolmioteloisen letkusrassa yksionteloisesta sovitimesta.
- Irrota Veressin neula.

**Jos AirSeal-portti ei ole ensimmäinen asetettava troakaari, pidä yksionteloinen sovitin liitettynä aktiivihiihsuodattimella varustettuun suodatettuun kolmioteloiseen letkusrajaan ja siirrä yksionteloinen sovitin ensin asetetun perinteisen troakaarin Luer-porttiin. Irrota yksionteloinen sovitin vasta, kun AirSeal-portti on viety sisään.**

9. Ota AirSeal-portti ja valinnainen äänitulpap (8 mm, 12 mm) pakkauksesta steriilillä menetelmällä. Älä heitä laitetta steriilille alustalle, jotta se ei vahingoitu.
10. AirSeal-portit (obturaattori ja kanyyli) ovat pakkauksessa valmiiksi koottuina, joten niitä ei tarvitse koota. Ohje: jos portti pitää koota, työnnä obturaattori kanyyliin, kunnes ne lukkiutuvat kunnolla yhteen.
11. Varmista, että obturaattori ja kanyyli on koottu oikein. **Ohje:** jos käytössä on tyllpääräinen portti, varmista, että myös jousikiinnitin on paikallaan (kuva 4, D).
12. Tee viilto tavanomaisella kirurgisella menetelmällä. (Huomaa: Viilto on mitoitettava kanyylin halkaisijan mukaan. Riittämätön viilto voi lisätä työntövastusta ja läpiviennissä tarvittavaa voimaa sekä aiheuttaa mahdollisesti hallinnan menetyksen sisäänviennin aikana.)

**Koottu portti on valmis sisäänvientiin. Jos käytössä on tyllpääräinen portti, käytä sopivaa laparoskooppista tekniikkaa (Hassonin tekniikalla vatsaonteloon).**

13. Vie koottu portti ihoviivon läpi kiertäen sitä samalla 30–90°. Paina kahvaa tasaisesti ja hallitusti alaspäin.
14. Varmista, että portti on kunnolla paikallaan. Älä irrota obturaattoria kanyyliin tässä vaiheessa. **Ohje:** Jos käytössä on tyllpääräinen portti, jousikiinnitin tulisi kiinnittää potilaan vatsaan ompelilla tavalliseen tapaan.
15. Varmista, että AirSeal-portin distaalikärjen musta viiva on aina näkyvässä ontelossa, kun AirSeal-porttia käytetään täyttöä varten.

16. Irrota jakoliittimen tulppa kanyyliin sivusta AirSeal-portissa ja liitä aktiivihiihuosudattimella varustetun suodatetun kolmioteloisen letkusarjan distaalipää kanyyliin jakoliittimeen ja kiristä.  
**Huomautus:** Jos AirSeal-letkusarjaa ja porttia ei ole kiristetty asianmukaisesti, laitteen painelukema ei välttämättä vastaa potilaan kokemaa painetta. Tukeva liitos voidaan varmistaa silmämääräisesti tarkistamalla, että yksi letkusarjan aukkoliittimen rivoista on kohdistettu suoraan portin yläreunaan (kuva 15). Kun katsot suoraan portin aukkoon letkusarjan ollessa kytkettynä, yhden letkusarjan liitäntäkappaleen rivoista pitäisi olla pystyosuorassa porttiin nähden (kuva 16).
17. AirSeal aktivoituu automaattisesti. Jätä obturaattori paikalleen, kunnes kuulet äänimerkin ja näytöllä näkyy vihreä "AirSeal active" (AirSeal aktiivinen) -viesti.
18. Irrota obturaattori kanyyliä puristamalla obturaattorin lukituspainikkeita, jolloin laitteen keskinäinen lukitus vapautuu. **Ohje:** tylläpäässä portissa ei ole lukituspainikkeita, joten se voidaan irrottaa vetämällä obturaattori suoraan pois kanyyliästä.
19. Kun AirSeal-tila on aktiivinen ja obturaattori on irrotettu AirSeal-kanyyliästä, virtausnopeus säätyy automaattisesti. **Ohje:** kaasunpöistötason asetukseksi voidaan asettaa joko High (Suuri) tai Low (Pieni).
20. Valinnainen äänitulppa (8 mm, 12 mm) voidaan asettaa tässä vaiheessa kanyyliin. (**Huomaa:** Jos käytät valinnaista äänitulppaa, toimi varoen viedessäsi terävää tai suurta laitetta kanyyliin läpi. Lisävarusteena saatava äänitulppa voidaan poistaa kanyyliä milloin tahansa toimenpiteen aikana, ja se on poistettava ennen terävän tai suurten esineiden asettamista kanyyliin.)
21. Kun toimenpide on valmis, lopeta AirSeal-laitteen kaasutyttö painamalla kosketusnäytön **STOP** (Pysäytä) -painiketta (**Huomaa:** tällöin vatsaontelon kaasu alkaa tyhjentyä). Käytä tavanomaista laparoskooppista tekniikkaa: poista kaikki kirurgiset laitteet ja sulje punktiokohdat tavalliseen tapaan. **Ohje:** Kun toimenpide on valmis, AirSeal-tilalle suoritetaan loppukalibrointi ennen laitteen sammutusta. Tämän toimenpiteen aikana ei muodosteta painetta eikä suoriteta insufflaatiota. Odota, että loppukalibrointi on valmis, ennen kuin irrotat aktiivihiihuosudattimella varustetun suodatetun kolmioteloisen letkusarjan tai kytket iFS-laitteen virran pois päältä.
22. Siirrä AirSeal iFS -laitteen vipu UNLOCK (Lukitus vapautettu) -asentoon.
23. Irrota aktiivihiihuosudattimella varustettu suodatettu kolmioteloinen letkusarja AirSeal iFS -letkusarjan liittimestä.
24. Koska toimintatesti suoritetaan alustavan käynnistyksen aikana, laite on käynnistettävä uudelleen ennen jokaista kirurgista toimenpidettä.

**Lue jäljempänä annetuista ohjeista, miten terättömällä optisella kärjellä varustettu portti viedään sisään endoskoopin avulla.**

**Huomautus: Tiedot tiettyihin ohjelmistoversioihin liittyvistä toiminnoista ovat iFS-käyttöohjeissa.**

1. Kytke nolla-asteen endoskooppi valonlähteeseen ja monitoriin valmistajan ohjeiden mukaisesti. Tarkista, että endoskooppi on kytketty oikein ja että monitorin kuva on tarkka.
2. Työnnä endoskooppia terättömällä optisella kärjellä varustetun portin kahvan proksimaalipäässä olevaan aukkoon, kunnes se tulee portin distaalikärjen kohdalle (endoskoopin sisäänvienti, kuva 12).
3. Kierrä endoskooppia tarpeen mukaan (endoskoopin sisäänvienti, kuva 13).
4. Työnnä endoskooppi terättömällä optisella kärjellä varustetun portin kahvaan, koske optisella kärjellä lähettyvillä olevaa pehmeää pintaa ja kohdista kamera, jotta monitorin kuvasta tulee tarkka.
5. Tee viilto tavanomaisella kirurgisella menetelmällä. (**Huomaa:** Viilto on mitoitettava kanyyliin halkaisijan mukaan. Riittämätön viilto voi lisätä työntövastusta ja läpivienosta tarvittavaa voimaa sekä aiheuttaa mahdollisesti hallinnon menetyksen sisäänviennin aikana.) Vie koottu portti ihovillon läpi kiertäen sitä samalla 30–90°. Paina kahvaa tasaisesti ja hallitusti alaspäin.
6. Tarkastele portin sisäänviennin aikana portin tunkeutumista kosketuskerrosten läpi vatsaontelon tähystimen avulla. Portin edessä voi näkyä eri kudoksrokseja.
7. Poista vatsaontelon tähystin terättömällä optisella kärjellä varustetusta portista (endoskoopin poistaminen, kuva 14).
8. Jatka toimenpidettä edellä annettujen ohjeiden mukaisesti vaiheesta 13 alkaen.

**KÄYTTÖOHJEET**

**Ohjeet AirSeal-portin käyttöön AirSeal-tilassa vatsaontelon takaisissa sovelluksissa:**

**Huomautus: Tiedot tiettyihin ohjelmistoversioihin liittyvistä toiminnoista ovat iFS-käyttöohjeissa.**

1. Käynnistä AirSeal iFS painamalla ON/OFF-kytkintä (virtakytkin) (kuva 1, A).
2. AirSeal iFS -laitteen vivun on oltava yläasennossa eli UNLOCK (Lukitus vapautettu) -asennossa (kuva 1, D).
3. Odota, että diagnostinen itsetarkistus valmistuu ennen kolmioteloisen suodatetun letkusarjan liittämistä.
4. Poista kolmioteloinen letkusto pakkauksesta steriilillä menetelmällä. Älä heitä laitetta steriilille alustalle, jotta se ei vahingoitu.
5. Aseta kolmioteloisen letkuston suodatinkotelo letkuston liittimeen, joka sijaitsee AirSeal iFS -laitteen etupuolella (kuva 1, C).
6. Paina vipu alas LOCK (Lukittu) -asentoon (kuva 9). AirSeal Mode (AirSeal-tila) aktivoituu automaattisesti.  
**Huomaa:** Jos AirSeal Pediatric Mode (AirSeal, lapsilla) on aktivoitu, käyttäjää pyydetään valitsemaan AirSeal Mode (AirSeal-tila) -toiminnon asetukseksi Adult (Aikuinen) tai Pediatric (Lapsi). Lisätietoja Pediatric AirSeal Mode (Pediatrinen AirSeal -tila) -tilasta löytyy AirSeal iFS -käyttöohjeista.
7. Varmista AirSeal iFS -kosketusnäytöstä, että kaasun syöttö on riittävä (kuva 1, B).
8. Valitse potilaalle sopivat virtaus- ja paineasetukset. Vahvista potilasasetukset painamalla Confirm (Vahvista).
9. Ota AirSeal-portti ja valinnainen äänitulppa (8 mm, 12 mm) pakkauksesta steriilillä menetelmällä. Älä heitä laitetta steriilille alustalle, jotta se ei vahingoitu.
10. AirSeal-portti (obturaattori ja kanyyli) ovat pakkauksessa valmiiksi koottuina, joten niitä ei tarvitse koota.  
**Huomaa:** Jos portti pitää koota, työnnä obturaattori kanyyliin, kunnes ne lukkiutuvat kunnolla yhteen.
11. Varmista, että obturaattori ja kanyyli on koottu oikein.
12. Seuraa valitun vatsaontelon takaisen käyttöalustalaitteen valmistajan toimittamia ohjeita laitteen sijoittamisesta peräsuoleen.
13. Työnnä portti vatsaontelon takaiseen käyttöalustalaitteeseen sopivan ontelon tai kanyyliapaikan kautta. Kun työnnät porttia vatsaontelon takaiseen käyttöalustalaitteeseen, käytä 30–90°:n kiertoilohitettä. Kohdista porttiin hallittu aksiaalinen paine, kunnes se on varmasti vatsaontelon takaisessa käyttöalustalaitteessa.
14. Varmista, että obturaattori ja kanyyli ovat kunnolla paikallaan. Älä irrota obturaattoria kanyyliästä tässä vaiheessa.
15. Irrota jakoliittimen tulppa kanyyliin sivusta AirSeal-portissa ja liitä aktiivihiihuosudattimella varustetun suodatetun kolmioteloisen letkusarjan distaalipää kanyyliin jakoliittimeen ja kiristä.  
**Huomautus:** Jos AirSeal-letkusarjaa ja porttia ei ole kiristetty asianmukaisesti, laitteen painelukema ei välttämättä vastaa potilaan kokemaa painetta. Tukeva liitos voidaan varmistaa silmämääräisesti tarkistamalla, että yksi letkusarjan aukkoliittimen rivoista on kohdistettu suoraan portin yläreunaan (kuva 15). Kun katsot suoraan portin aukkoon letkusarjan ollessa kytkettynä, yhden letkusarjan liitäntäkappaleen rivoista pitäisi olla pystyosuorassa porttiin nähden (kuva 16).
16. AirSeal aktivoituu automaattisesti. Jätä obturaattori paikalleen, kunnes kuulet äänimerkin ja näytöllä näkyy vihreä "AirSeal active" (AirSeal aktiivinen) -viesti.
17. Irrota obturaattori kanyyliä puristamalla obturaattorin lukituspainikkeita, jolloin laitteen keskinäinen lukitus vapautuu.
18. Kun AirSeal-tila on aktiivinen ja obturaattori on irrotettu AirSeal-kanyyliästä, virtausnopeus säätyy automaattisesti.  
**Ohje:** kaasunpöistötason asetukseksi voidaan asettaa joko High (Suuri) tai Low (Pieni).
19. Valinnainen äänitulppa (8 mm, 12 mm) voidaan asettaa tässä vaiheessa kanyyliin. (**Huomaa:** Jos käytät valinnaista äänitulppaa, toimi varoen viedessäsi terävää tai suurta laitetta kanyyliin läpi. Lisävarusteena saatava äänitulppa voidaan poistaa kanyyliä milloin tahansa toimenpiteen aikana, ja se on poistettava ennen terävän tai suurten esineiden asettamista kanyyliin.)
20. Kun toimenpide on valmis, lopeta AirSeal-laitteen kaasutyttö painamalla kosketusnäytön **STOP** (Pysäytä) -painiketta (**Huomaa:** tällöin vatsaontelon kaasu alkaa tyhjentyä). Käytä tavanomaista laparoskooppista tekniikkaa: poista kaikki kirurgiset laitteet ja sulje punktiokohdat tavalliseen tapaan. **Ohje:** Kun toimenpide on valmis, AirSeal-tilalle suoritetaan loppukalibrointi ennen laitteen sammutusta. Tämän toimenpiteen aikana ei muodosteta painetta eikä suoriteta insufflaatiota. Odota, että loppukalibrointi on valmis, ennen kuin irrotat aktiivihiihuosudattimella varustetun suodatetun kolmioteloisen letkusarjan tai kytket iFS-laitteen virran pois päältä.
21. Siirrä AirSeal iFS -laitteen vipu UNLOCK (Lukitus vapautettu) -asentoon.
22. Irrota aktiivihiihuosudattimella varustettu suodatettu kolmioteloinen letkusarja AirSeal iFS -letkusarjan liittimestä.
23. Koska toimintatesti suoritetaan alustavan käynnistyksen aikana, laite on käynnistettävä uudelleen ennen jokaista kirurgista toimenpidettä.

## Savunpoistotilaa ja normaalia kaasutäyttötilaa koskevat yleiset ohjeet:

### ALUSTAVA KAASUTÄYTTÖ VERESSIN NEULALLA

#### Huomautus: Tiedot tiettyihin ohjelmistoversioihin liittyvistä toiminnoista ovat IFS-käyttöohjeissa.

1. Käynnistä AirSeal IFS painamalla ON/OFF-kytkintä (virtakytkin) (kuva 1, A).
2. Kun diagnostinen itsetarkistus on valmis, valitse AirSeal IFS -kosketusnäytön tilan valintaluettelosta joko savunpoistotila tai normaali kaasutäyttötila (kuva 1, B).
3. Varmista AirSeal IFS -kosketusnäytöstä, että kaasun syöttötaso on riittävä (kuva 1, B).
4. Liitä asiaankuuluva letkusarja AirSeal IFS -laitteeseen (ohjeet aktiivihiihiisuodattimella varustetun haaroitetun savunpoistoletkusarjan liittämiseen on annettu alla).  
**Ohje:** Toisin kuin muut letkusarjat, yksionteloinen letkusarja liitetään AirSeal IFS -laitteen etupuolella olevaan kaasutäyttökuluttimeen.
5. Liitä letkusarjan Luer-lukkoliihtin Veressin neulan tai perinteisen troakaarin päähän tavalliseen tapaan. (ohjeet aktiivihiihiisuodattimella varustetun haaroitetun savunpoistoletkusarjan liittämiseen on annettu alla).
6. Aseta halutut virtaus- ja painearvot AirSeal IFS -kosketusnäytöllä. Vahvista potilasasetukset painamalla Confirm (Vahvista).
7. Paina AirSeal IFS -kosketusnäytön Start (Käynnistä) -painiketta, jolloin alustava kaasutäyttö käynnistyy.
8. Kun alustava kaasutäyttö on saavutettu, **vi normaaleilla Luer-porteilla varustettu perinteinen troakaari sisään.**
9. Kun toimenpide on valmis, lopeta kaasutäyttö painamalla kosketusnäytön **STOP** (Pysäytä) -painiketta (**Huomautus:** tällöin vatsaontelon kaasu alkaa tyhjäntyä). Käytä tavanomaista laparoskopista tekniikkaa: poista kaikki kirurgiset laitteet ja sulje punktiokohdat tavalliseen tapaan.
10. Irrota letkusarja AirSeal IFS -laitteesta (ohjeet aktiivihiihiisuodattimella varustetun haaroitetun savunpoistoletkusarjan irrottamiseen on annettu alla).
11. Koska toimintatesti suoritetaan alustavan käynnistyksen aikana, laite on käynnistettävä uudelleen ennen jokaista kirurgista toimenpidettä.

#### Aktiivihiihiisuodattimella varustettua haaroitettua savunpoistoletkusarjaa koskevat lisäohjeet on annettu alla

### Tarkoitettu käytettäväksi kahden normaaleilla Luer-porteilla varustetun perinteisen troakaarin ja aktiivihiihiisuodattimella varustetun haaroitetun savunpoistoletkusarjan kanssa.

Kirkas letku kaasutäyttö

Sininen letku Savunpoisto

#### Aktiivihiihiisuodattimella varustetun haaroitetun savunpoistoletkusarjan kiinnittäminen

#### Huomautus: Tiedot tiettyihin ohjelmistoversioihin liittyvistä toiminnoista ovat IFS-käyttöohjeissa.

1. AirSeal IFS -laitteen vivun on oltava yläasennossa eli UNLOCK (Lukitus vapautettu) -asennossa (kuva 1, D).
2. Aseta aktiivihiihiisuodattimella varustetun haaroitetun savunpoistoletkusarjan suodatintelo letkusarjan liittimeen, joka sijaitsee AirSeal IFS -laitteen etupuolella (kuva 1, C).
3. Paina vipu alas LOCK (Lukittu) -asentoon
4. Kiinnitä Veressin neula aktiivihiihiisuodattimella varustetun haaroitetun savunpoistoletkusarjan kirkkaan letkun Luer-lukkolittimeen.
5. Aseta halutut virtaus- ja painearvot AirSeal IFS -kosketusnäytöllä. Vahvista potilasasetukset painamalla Confirm (Vahvista).
6. Paina AirSeal IFS -kosketusnäytön Start (Käynnistä) -painiketta, jolloin alustava kaasutäyttö käynnistyy.
7. Varmista, että kanyylit ovat hyvin paikoillaan.
8. Irrota Veressin neula ja irrota se aktiivihiihiisuodattimella varustetusta haaroitetusta savunpoistoletkusarjasta.
9. Liitä aktiivihiihiisuodattimella varustetun haaroitetun savunpoistoletkusarjan **KIRKKAAN** letkun Luer-lukkoliihtin perinteiseen kanyyliin. Avaava sisävirtausventtiili/hana.
10. Noudata AirSeal IFS -kosketusnäytön kehoitteita. Kun ohjeissa näin kehoitetaan, liitä aktiivihiihiisuodattimella varustetun haaroitetun savunpoistoletkusarjan **SINISEN** letkun Luer-lukkoliihtin toiseen perinteiseen kanyyliin. Kaasutäyttö pysyy aktiivisena.
11. Kun aktiivihiihiisuodattimella varustetun haaroitetun savunpoistoletkusarjan **SINISEN** letkun liittimen Luer-lukko liitetään toiseen perinteiseen kanyyliin, savunpoisto aktivoituu.

VAKAVAT TAPAHTUMAT – ilmoita tämän laitteen käyttöön liittyvistä vakavista tapahtumista välittömästi CONMED-asiakaspalveluun tai paikalliselle CONMED-edustajalle. Sähköposti: CustomerExperience@CONMED.com

#### Aktiivihiihiisuodattimella varustetun haaroitetun savunpoistoletkusarjan irrottaminen:

#### Huomautus: Tiedot tiettyihin ohjelmistoversioihin liittyvistä toiminnoista ovat IFS-käyttöohjeissa.

1. Kun toimenpide on valmis, lopeta kaasutäyttö painamalla kosketusnäytön **STOP** (Pysäytä) -painiketta (**Huomautus:** tällöin vatsaontelon kaasu alkaa tyhjäntyä). Käytä tavanomaista laparoskopista tekniikkaa: poista kaikki kirurgiset laitteet ja sulje punktiokohdat tavalliseen tapaan.
2. Siirrä AirSeal IFS -laitteen vipu UNLOCK (Lukitus vapautettu) -asentoon.
3. Irrota aktiivihiihiisuodattimella varustettu haaroitettu savunpoistoletkusarja AirSeal IFS -letkusarjan liittimestä.
4. Koska toimintatesti suoritetaan alustavan käynnistyksen aikana, laite on käynnistettävä uudelleen ennen jokaista kirurgista toimenpidettä.

### HÄVITTÄMINEN

Hävitä laite paikallisten sairaalavaatimusten mukaisesti.

### TOIMITUSTAPA

Optinen AirSeal-portti, matalan profiilin AirSeal-portti, valinnainen äänitulppa (8 mm, 12 mm), tyyppäkirkinen AirSeal-portti, AirSeal-kanyyli, aktiivihiihiisuodattimella varustettu savunpoistoletkusarja, aktiivihiihiisuodattimella varustettu kolmioteloinen suodatinletkusarja, yksionteloinen letkusarja ja yksionteloinen AirSeal-sovitin toimitetaan gammasträteilytyksellä steriloituna ja ne on tarkoitettu käyttöön vain yhdellä potilaalla. Hävitettävä käytön jälkeen. AirSeal-porttien, äänitulpkien ja letkusarjojen valmistuksessa ei ole käytetty luonnonkumilaitteita.

AirSeal IFS ei ole steriili, ja sitä voidaan käyttää uudelleen.

AirSeal® on CONMED Corporationin rekisteröity tavaramerkki.

**Rx ONLY** HUOMIO: Yhdysvaltain liittovaltion lain mukaan tämän laitteen saa myydä ainoastaan lääkäri tai lääkärin määräyksestä.

**AirSeal® IFS****AirSeal®-tilgangsport**

Bladløs optisk tupp, bladløs optisk tupp med lav profil, bladløs optisk tupp med håndflategrep og tilgangsporter med stump tupp

**AirSeal®-filtrerte slangesett**

Slangesett filtrert med tre lumen med filter med aktivert trekull, todelt slangesett for røykevakuering med filter med aktivert trekull, slangesett filtrert med enkelt lumen

**Skjematisk visning: Illustrasjon og nomenklatur**

<p><b>AirSeal IFS (fig. 1)</b></p> <p>A. Av/på-bryter B. Berørings skjerm C. Kontakt for AirSeal- og røykevakueringensmodi D. Spak for å låse slangesettet på plass E. Insufflasjonslangekobling for standard insufflasjonsmodus</p> <p><b>Bladløse tilgangsporter (fig. 2/3)</b></p> <p>A. Manifoldplugg B. Kanyle C. Obturator med bladløs optisk tupp D. Kanylesperre</p> <p><b>Tilgangsporter for stump tupp (fig. 4)</b></p> <p>A. Manifoldplugg B. Kanyle C. Obturator med stump tupp D. Fjærfeste – festeenhet for suturbinding</p> <p><b>Tilleggsutstyret lydhet (fig. 5)</b></p>	<p><b>Slangesett (fig. 6/7/8)</b></p> <p>A. Filter B. 8–10 fot (2,43–3,04 m) slange C. Luer lock-nippel D. Adapter for enkelt lumen E. Tommelring</p> <p><b>AirSeal-modus (fig. 9)</b></p> <p><b>Røykevakueringensmodus (fig. 10)</b></p> <p><b>Standard insufflasjonsmodus (fig. 11)</b></p> <p><b>Føre inn endoskop (fig. 12)</b></p> <p>A. AirSeal-tilgangsport B. Endoskop i riktig størrelse</p> <p><b>Føre inn endoskop (fig. 13)</b></p> <p>A. Hvis du dreier endoskopet under innføring, vil innføringen kreve mindre kraft</p> <p><b>Fjerne endoskop (fig. 14)</b></p> <p>A. Trekke ut endoskop B. Trykk her for å frigjøre kanyle</p> <p><b>AirSeal-tilgangsport med riktig tilkobling til AirSeal-slangesett, sett ovenfra (fig. 15)</b></p> <p>A. Midtpunkt på kontaktribbe for slangesett</p> <p><b>AirSeal-tilgangsport med riktig tilkobling til AirSeal-slangesett, sett forfra (fig. 16)</b></p> <p>A. Midtpunkt på kontaktribbe for slangesett</p>
---	--

**VIKTIG! FØR DU BRUKER PRODUKTET, MÅ DU LESE FØLGENDE INFORMASJON GRUNDIG.**

Dette heftet er utformet for å hjelpe deg med å bruke dette produktet. Det er ikke en referanse for kirurgiske teknikker. Fullstendige instruksjoner om AirSeal IFS og alle driftsmodiene finnes i bruksanvisningen for AirSeal IFS.

**BRUKSANVISNING:**

CONMED AirSeal® IFS-systemet er beregnet brukt i diagnostiske og/eller terapeutiske endoskopiske prosedyrer og brukes for å utvide hulrom ved å fylle dem med gass. Dette gjøres for å danne og opprettholde en gassforseglet, hindringsfri innføringsvei for endoskopiske instrumenter samt for å evakuere kirurgisk røyk. Systemet er indisert for bruk i bukhole-, brysthule- og pediatriske prosedyrer hvor fylling er ønsket for å gjøre det lettere å bruke ulike torakoskopiske og laparoskopiske instrumenter ved å fylle bukhulen eller brysthulen med gass, slik at den utvides, ved å danne og opprettholde en gassforseglet, hindringsfri instrumentvei og ved å evakuere kirurgisk røyk. Dette instrumentet kan også brukes for å insufflere rektum og tykktarmen for å forenkle endoskopisk observasjon, diagnose og behandling. Trokaren i AirSeal® IFS-systemet er indisert for bruk med eller uten visualisering.

**AirSeal IFS har tre driftsmodi:**

1. **AirSeal-modus (fig. 9)**
2. **Røykevakueringensmodus (fig. 10)**
3. **Standard insufflasjonsmodus (fig. 11)**

**AirSeal-modus:**

Når AirSeal IFS brukes i AirSeal-modus, er den utformet for å sørge for CO<sub>2</sub>-gastilførsel med stabil pneumoperitoneum og kontinuerlig røykevakuering under laparoskopisk kirurgi, noe som krever bruk av AirSeal IFS, AirSeal-tilgangsporten og slangesettet filtrert med tre lumen med filter med aktivert trekull. Slangesettet filtrert med tre lumen med filter med aktivert trekull brukes for å koble AirSeal-tilgangsporten til AirSeal IFS (fig. 9).

**Røykevakueringensmodus**

Når AirSeal IFS brukes i røykevakueringensmodus, er den utformet for å sørge for CO<sub>2</sub>-gastilførsel og kontinuerlig røykevakuering under laparoskopisk kirurgi, noe som krever bruk av AirSeal IFS, til konvensjonelle (ikke-AirSeal) trokarene med standard Luer-porter og det todelte slangesettet for røykevakuering med filter med aktivert trekull. De to konvensjonelle trokarene brukes for å koble til det todelte slangesettet for røykevakuering med filter med aktivert trekull for å sørge for CO<sub>2</sub>-gastilførsel samt en røykevakuering. Det todelte slangesettet for røykevakuering med filter med aktivert trekull er todelt, og kobler de to konvensjonelle trokarene til AirSeal IFS (fig. 10).

**Standard insufflasjonsmodus**

Når AirSeal IFS brukes i standard insufflasjonsmodus, er AirSeal IFS utformet for å sørge for CO<sub>2</sub>-gastilførsel og standard insufflasjon under laparoskopisk kirurgi i samme format som konvensjonelle insufflаторer, noe som krever bruk av AirSeal IFS, én konvensjonell (ikke-AirSeal) trokar med standard Luer-port og slangesettet filtrert med enkelt lumen. Luer-porten på trokaren kobles til slangesettet filtrert med enkelt lumen for å sørge for standard insufflasjon og CO<sub>2</sub>-gastilførsel. Slangesettet filtrert med enkelt lumen kobler én konvensjonell trokar til AirSeal IFS (fig. 11).

**AirSeal-tilgangsporten har to mulige konfigurasjoner:**

1. **Tilgangsport for bladløs optisk tupp (fig. 2 og 3)**
2. **Tilgangsport for stump tupp (fig. 4)**

Hvis noen av tilgangsportene for bladløs optisk tupp brukes til primær innføring, anbefales det at du bruker et laparoskop for å se at sikker innføring i bukhulen utføres.

**AirSeal-slangesettene har tre mulige konfigurasjoner:**

1. **Slangesett filtrert med tre lumen med filter med aktivert trekull (fig. 6)**
2. **Todelt slangesett for røykevakuering med filter med aktivert trekull (fig. 7)**
3. **Slangesett filtrert med enkelt lumen (fig. 8)**

Kontroller at riktig slangesett brukes i henhold til valgte modus på AirSeal IFS. Hvis du fører inn feil slangesett, vil valgte AirSeal IFS-modus ikke iverksettes, og en varselmelding vil vises.

De filtrerte slangesettene er ikke utformet for å ta inn væske. Hvis det kommer væske inn i filteret, vises en varselmelding på berørings skjermen på AirSeal IFS. Hvis dette skjer, kontrollerer du kanylens plassering, og gjør klart til å skifte ut slangesettet.

## ADVARSLER:

- Hvis du ikke følger bruksanvisningen, kan det føre til alvorlige kirurgiske konsekvenser.
- Kun kvalifiserte leger med kunnskap om, erfaring og opplæring i laparoskopiske teknikker skal bruke komponentene i AirSeal-systemet.
- Denne bruksanvisningen omfatter ikke beskrivelser eller instruksjoner knyttet til kirurgiske teknikker eller laparoskopiske prosedyrer. Det er ansvaret til legen som utfører en prosedyre å bestemme hensiktsmessigheten til prosedyretypen som skal utføres ved hjelp av disse produktene, og å bestemme den spesifikke teknikken for hver pasient.
- Komponentene som følger med AirSeal-systemet, er kun sterile hvis de brukes før utløpsdatoen og hvis pakken er uåpnet og uten skader. MÅ IKKE brukes etter utløpsdatoen eller hvis pakken er åpnet eller skadet.
- Alle AirSeal-systemenheter for engangsbruk (tilgangsporter og slangesett) er pakket og sterilisert for bruk på én pasient. Må ikke gjenbrukes, reposseseres eller resteriliseres. Gjenbruk, repossesering eller resterilisering kan ødelegge enhetens strukturelle integritet og/eller føre til feil i enheten, som igjen kan føre til skade, sykdom eller død for pasienten. Repossesering eller resterilisering av enheter for engangsbruk kan dessuten føre til fare for kontaminering og/eller infeksjon for pasienten eller kryssinfeksjon, inkludert, men ikke begrenset til, overføring av infeksjonssykdom(er) fra én pasient til en annen. Kontaminering av enheter kan føre til skade, sykdom eller død for pasienten.
- Tuppen på kanylen må ikke senkes ned i utskylling eller kroppsvæsker.
- AirSeal IFS-alarmen vil bli utløst hvis kjøleventilene på sidene eller under styrekonsollen blir blokkert. Hvis alarmen blir utløst, må du kontrollere om kjøleventilene er blokkert.
- Hvis forholdene over IKKE har oppstått og alarmen forsetter å lyde, må du slutte å bruke AirSeal IFS og sende den tilbake til produsenten for vedlikehold.

## FORHOLDSREGLER:

- Opprettelsen av pneumoperitoneum har kjente fysiologiske bivirkninger, inkludert redusert venøs retur, redusert minuttvolum, nedsatt nyrefunksjon, økt intrakranielt trykk, økt luftveismotstand og redusert lungeelastisitet.
- Kun personer som har tilstrekkelig opplæring, fagkompetanse og relevant kompetanse knyttet til minimalt invasive kirurgiske teknikker, skal utføre minimalt invasive prosedyrer. Rådfrø deg med medisinsk litteratur med tanke på teknikker, komplikasjoner og farer før du utfører en hvilken som helst minimalt invasiv prosedyre.
- En grundig forståelse av prinsippene og teknikken som er involvert i laser-, elektrokirurgiske og ultralydprosedyrer er viktig for å unngå fare for støt og brannskader for både pasient og medisinsk personell samt skade på enheten eller andre medisinske instrumenter. Kontroller at elektrisk isolasjon eller jording ikke fungerer som det skal.
- Det kan oppstå luftinnblanding under følgende forhold:
  - Kraftig trykk påføres eksternt på buken
  - Kraftig og langvarig lekkasje gjennom andre konvensjonelle porter som brukes eller et åpent snitt
  - Kraftig og langvarig sug
- Under forholdene som beskrives over vil luft kun fortrenge insufflasjonsgassen midlertidig, og luften som er blandet inn vil bli fortrenget av CO<sub>2</sub>.
- Du bør ikke overskride et insufflasjonstrykk på > 15 mm Hg i kolorektale prosedyrer.
- Høyere insufflasjonstrykk (> 15 mm Hg) ved insufflasjon med karbondioksid kan øke risikoen for hyperkapni, underhudsemfysem, mediastinalemfysem, pneumotoraks, pneumoskrotum og urinretensjon.
- Ved bruk av tilleggsutstyret lydhette (8 mm, 12 mm):
  - Kontroller lydhettens skumkomponent og forsegling før bruk.
  - Kontroller at lydhetten ikke har noen skader etter bruk.
- Vær veldig forsiktig under AirSeal-tilgangsportinnføring. Hvis du bruker dette produktet på feil måte, kan det føre til livstruende skade på indre organer og kar.
  - Kontroller at tilstrekkelig pneumoperitoneum eller pneumorektum dannes
  - Kontroller at pasienten er posisjonert riktig slik at organene holdes unna penetrasjonsstedet
  - Rett AirSeal-tilgangsportens tupp bort fra signifikante kar og organer
  - Pass på at ytterveggen på AirSeal-tilgangsporten kun er i kontakt med vev og ikke kommer i klem mellom eller kolliderer med harde overflater, for eksempel andre instrumenter eller bein. Langvarig eller plutselig kontakt med harde overflater kan føre til at tilgangsporten skades eller går i stykker.
  - Ikke bruk overdreven nedadgående kraft
- Kun kirurgiske håndinstrumenter skal føres gjennom AirSeal-tilgangsporten. IKKE for trokareer eller robotinstrumenter gjennom AirSeal-tilgangsporten. Feil bruk kan føre til at tilgangsporten skades eller ødelegges.
- Utformingen til tilgangsporten for blodløs optisk tupp beregnet på å minimere sannsynligheten for penetrasjonskade på underliggende anatomiske strukturer. Standard sikkerhetstiltak for alle slike innføringer må imidlertid følges.
- Selv om tilgangsporten for blodløs optisk tupp har en "blodløs" tupp, må du likevel være forsiktig, som med alle slike enheter, for å unngå skade på store kar og andre anatomiske strukturer (som tarm eller mesenterium). Slik minimerer du faren for slike skader:
  - Lag tilstrekkelig pneumoperitoneum eller pneumorektum;
  - Posisjoner pasienten riktig for å bidra til å forskyve organer ut av penetrasjonsområdet
  - Legg merke til viktige anatomiske holdepunkter
  - Rett AirSeal-tilgangsportens tupp bort fra store kar og strukturer
  - Ikke bruk overdreven eller ukontrollert kraft
  - Benytt optisk innføringsteknikk så sant det er mulig.
- Når delvis innføring er oppnådd, skal det svært lite kraft til for å fullføre innføringen. Overdrevet kraft kan forårsake skade på underliggende anatomiske strukturer.
- Når riktig innføring er utført ved hjelp av endoskop, skal tilgangsporten for blodløs optisk tupp ikke føres lenger frem for ytterligere penetrasjon. Hvis du forsetter å føre tilgangsporten inn, kan det forårsake skade på underliggende anatomiske strukturer.
- Når en sikker og riktig innføring er oppnådd, må du kontrollere at den svarte streken på den distale tuppen av AirSeal-tilgangsporten til enhver tid er synlig i hulrommet når AirSeal-tilgangsporten brukes til insufflasjon.
- Ikke gjør forsøk på å utføre sekundære trokarpunksjoner før primærstedet og anbefalt intraabdominalt trykk (vanligvis 12–18 mm Hg) er fastsatt.
- Når du har fjernet kanylen fra hulrommet, må du alltid kontrollere stedet med tanke på hemostase. Hvis det ikke finnes hemostase, skal du bruke egnete teknikker for å oppnå hemostase.
- Slangesettet filtrert med tre lumen med filter med aktivert trekkull og det delte slangesettet for røykevakuering med filter med aktivert trekkull er utstyrt med væskesensorer for overvåke væskeniivået i filterne og varsle brukere om en mulig kontaminering av enheten. Hvis vannfellen i filterhuset fylles til væskeniivået Low (Lavt), vises en varselmelding på berøringsskjermen for væskeniivået, og det avgis et lydsignal. Kanyle- og slangeplasteringen bør kontrolleres for å sørge for at det ikke kommer mer væske inn i filteret. Når fører du obturatoren inn i AirSeal-tilgangsporten igjen og skifter ut det filtrerte slangesettet.
- Instrumenter eller enheter som kommer i kontakt med kroppsvæsker, kan kreve spesiell avfallshåndtering for å forhindre biologisk kontaminering.

## KONTRAINDIKASJONER

Denne AirSeal IFS er kontraindisert for bruk når minimalt invasive endoskopiske teknikker er kontraindisert.

**VIKTIG:** Pakningsvedlegget er ment som en bruksanvisning. Den er ikke en referanse for eller veiledning i teknikker for trokarinnføring. Vellykket bruk av en trokar med blodløs optisk tupp som den primære porten etter insufflasjon avhenger av å gjenkjenne og differensiere mellom vevslag. Nye brukere skal derfor benytte trokarene med optisk tupp som en sekundær port etter insufflasjon for å få erfaring og prosedyrekompetanse i visualisering av vevslagene. Kun etter å ha fått erfaring i teknikken over skal trokarene med optisk tupp brukes som en primær port etter insufflasjon.

**Merk:** Inspiser det/de sterile barriersystemet/barriersystemene visuelt for eventuelle integritetsproblemer som kan påvirke steriliteten før aseptisk presentasjon. Ikke bruk hvis det er brudd på det sterile barriersystemet.

## BRUKSANVISNING

### Generell bruksanvisning for AirSeal-tilgangsporten i AirSeal-modus:

**Merk: Informasjon om funksjoner knyttet til spesifikke programvareversjoner finnes i bruksanvisningen for IFS.**

1. Slå AirSeal IFS ON (På) ved å trykke på ON/OFF-bryteren (Av/på) (fig. 1, A).
2. Spaken på AirSeal IFS skal være i opp- eller UNLOCK-posisjonen (Opplåst) (fig. 1, D).
3. La den innledende selvtesten fullføres før du fører inn slangesettet filtrert med tre lumen.
4. Bruk steril teknikk, og ta ut slangesettet med tre lumen fra pakken. For å unngå skade må du ikke vende enheten på det sterile feltet.
5. Før filterhuset til slangesettet med tre lumen inn i slangesettkontakten på forsiden av AirSeal IFS (fig. 1 C).
6. Skyv spaken ned i LOCK-posisjonen (Låst) (fig. 9), AirSeal-modus startes automatisk.  
**Merk:** Hvis AirSeal pediatrik modus er aktivert, vil du bli bedt om å velge AirSeal-modus for voksen eller pediatrik. Se bruksanvisningen for AirSeal IFS for detaljer om Pediatric (Pediatrik) AirSeal-modus.
7. Kontroller at gassforsyningsnivået som vises på AirSeal IFS-berørings skjermen (fig. 1, B), er tilstrekkelig.
8. Velg ønsket strømnings- og trykkinnstillinger for pasienten. Trykk på «Confirm» (Bekreft) for å bekrefte pasientinnstillingene.

**Ytterligere instruksjoner om hvordan du fører inn Veress-nålen med tilgangsporten for blodløs optisk tupp, finnes nedenfor. Denne teknikken brukes ikke for innføring av stump tupp (Hasson-type) i bukhulen. Hvis du ikke bruker innføringsteknikk for Veress-nål, går du videre til trinn 9.**

- Adapteren for enkelt lumen er på forhånd festet til slangesettet filtrert med tre lumen med filter med aktivert trekull.
- Koble adapteren for enkelt lumen til Veress-nålens Luer-port, og før inn i henhold til produsentens instruksjoner.
- Still inn ønskede gjennomstrømnings- og trykkverdier på AirSeal IFS-berørings skjermen.
- Trykk på Start på AirSeal IFS-berørings skjermen. Innledende insufflasjon begynner.
- Når innledende insufflasjon er aktivert, kobler du slangesettet filtrert med tre lumen med filter med aktivert trekull fra adapteren for enkelt lumen.
- Fjern Veress-nålen.

**Hvis AirSeal-tilgangsporten ikke er den første trokaren som skal plasseres, skal adapteren for enkelt lumen ikke kobles fra slangesettet filtrert med tre lumen med filter med aktivert trekull, og da overfører du adapteren for enkelt lumen til Luer-porten for den første konvensjonelle trokaren som er plassert. Adapteren for enkelt lumen fjernes først når AirSeal-tilgangsporten er ført inn.**

9. Bruk steril teknikk, og ta AirSeal-tilgangsporten og tilleggsutstyret lydhette (8 mm, 12 mm) ut av pakken. For å unngå skade må du ikke vende enheten på det sterile feltet.
10. AirSeal-tilgangsporten (obturator og kanylen) leveres sammensatt i pakken, og det er derfor ikke nødvendig å sette dem sammen. Merk: Hvis det skulle være nødvendig å sette sammen tilgangsporten, må du føre obturatoren inn i kanylen inntil de låses i hverandre.
11. Kontroller at obturatoren og kanylen er korrekt sammensatt. **Merk:** Hvis du bruker tilgangsporten for stump tupp, må du kontrollere at fjærfestet også er på plass (fig. 4, D).
12. Lag et snitt ved hjelp av standard kirurgiske prosedyrer. (Merk: Snittet skal ha plass til kanylens diameter. Et utstrekkelig snitt kan føre til økt motstand mot innføring, slik at nødvendig penetrasjonskraft øker og muligens fører til tap av kontroll under innføring.)

**Den sammensatte tilgangsporten er klar til å føres inn. Hvis du bruker tilgangsporten for stump tupp, bruker du egnet laparoskopisk (Hasson-innføring) teknikk.**

13. Drei tilgangsporten inn gjennom hudsnittet med en bevegelse på 30° til 90°. Påfør kontinuerlig, men kontrollert nedadgående trykk på håndtaket.
14. Kontroller at tilgangsporten er ført riktig inn. På dette tidspunktet må du ikke fjerne obturatoren fra kanylen. **Merk:** Hvis du bruker tilgangsporten for stump tupp, skal du binde fjærfestet til pasientens buk med sutur på vanlig måte.
15. Påse at den svarte streken på den distale tuppen av AirSeal-tilgangsporten til enhver tid er synlig i hulrommet, og at AirSeal-tilgangsporten brukes til insufflasjon.
16. Ta ut manifoldpluggen på siden av kanylen på AirSeal-tilgangsporten, og koble den distale enden av slangesettet filtrert med tre lumen med filter med aktivt kull til kanylemanifolden, og stram til.  
**Merk:** Hvis AirSeal-slangesettet og -tilgangsporten ikke er strammet på riktig måte, kan det hende at trykkavlesningen på enheten ikke gjenspeiler trykket pasienten opplever. En sikker tilkobling kan bekreftes visuelt når en av de hvite ribbene på slangesettets kontakt i midtpunktet er direkte justert mot den øverste delen av tilgangsporten (fig. 15). Når du ser rett inn i midtpunktet på tilgangsporten mens slangesettet er tilkoblet, skal en av ribbene på kontaktskykket på slangesettet stå loddrett mot tilgangsporten (fig. 16).
17. AirSeal aktiveres automatisk. La obturatoren være i posisjon til du hører en tone og meldingen «AirSeal active» (AirSeal er aktiv) vises i grønt.
18. Fjern obturatoren fra kanylen ved å klemme på obturatorens sperrekapper slik at de to enhetene låses opp. **Merk:** Tilgangsporten for stump tupp har ikke sperrekapper, så den kan fjernes ved å trekke obturatoren rett ut av kanylen.
19. Når AirSeal-modus er aktivert og obturatoren er fjernet fra AirSeal-kanylen, vil gjennomstrømningsraten være automatisk. **Merk:** Nivået for røykevakuering kan stilles inn som High (Høyt) eller Low (Lavt).
20. Tilleggsutstyret lydhette (8 mm, 12 mm) kan nå settes på kanylen. (Merk: Vær forsiktig ved innsetting av spisse eller store enheter gjennom kanylen ved eventuell bruk av lydhetten. Lydhetten (tilleggsutstyr) kan fjernes fra kanylen når som helst under prosedyren, og bør fjernes før du setter skarpe eller store gjenstander inn i kanylen.)
21. Når prosedyren er ferdig, trykker du på **STOP** (Stopp) på berørings skjermen for å stoppe AirSeal-insufflasjon (**Merk:** Dette fører til tap av pneumoperitoneum). Ved hjelp av standard laparoskopisk teknikk fjerner du alle kirurgiske enheter og lukker aktuelle portsteder på vanlig måte. **Merk:** Når prosedyren er fullført, vil AirSeal-modus gjennomgå en endelig kalibrering før driftsstats. Det bygges ikke opp verken trykk eller insufflasjon under denne prosessen. Vent til endelig kalibrering er fullført før du fjerner slangesettet filtrert med tre lumen med filter med aktivert trekull eller slår av IFS.
22. Flytt spaken på AirSeal IFS til opp- eller UNLOCK-posisjonen (Opplåst).
23. Fjern slangesettet filtrert med tre lumen med filter med aktivert trekull fra slangesettkontakten på AirSeal IFS.
24. Fordi funksjonstesten utføres under innledende oppstart, må enheten slås av og på før hvert ingrepp.

**Ytterligere instruksjoner om hvordan du fører inn tilgangsporten for blodløs optisk tupp, finnes nedenfor.**

**Merk: Informasjon om funksjoner knyttet til spesifikke programvareversjoner finnes i bruksanvisningen for IFS.**

1. Koble 0°-endoskopet til lyskilden, og overvåk i henhold til produsentens bruksanvisning. Kontroller at endoskopet er riktig koblet til, og forsikre deg om at bildet på monitoren er skarpt.
2. Før endoskopet inn i åpningen ved den proksimale enden av håndtaket til tilgangsporten for blodløs optisk tupp til det når den distale tuppen av tilgangsporten. (Før inn endoskop; fig. 12.)
3. Drei endoskopet etter ønske. (Før inn endoskop; fig. 13.)
4. Hvis du vil oppnå et skarpt bilde på monitoren, fører du endoskopet inn i håndtaket til tilgangsporten for blodløs optisk tupp, berører en passende myk overflate med den optiske tuppen og fokuserer kameraet.
5. Lag et snitt ved hjelp av standard kirurgiske prosedyrer. (Merk: Snittet skal ha plass til kanylens diameter. Et utstrekkelig snitt kan føre til økt motstand mot innføring, slik at nødvendig penetrasjonskraft øker og muligens fører til tap av kontroll under innføring.) Drei tilgangsporten inn gjennom hudsnittet med en bevegelse på 30° til 90°. Påfør kontinuerlig, men kontrollert nedadgående trykk på håndtaket.
6. Under innføring av tilgangsporten viser du tilgangsportens penetrasjon gjennom de ulike vevsplanene ved hjelp av laparoskopet. Du kan se de ulike vevsplanene etter hvert som tilgangsporten føres frem.
7. Fjern laparoskopet fra tilgangsporten for blodløs optisk tupp (Fjerne endoskop; fig. 14).
8. Forsett med prosedyren i henhold til instruksjonene over, fra trinn 13.

## BRUKSANVISNING

### Bruksanvisning for AirSeal-tilgangsporten for AirSeal-modus på transanale bruksområder:

**Merk:** Informasjon om funksjoner knyttet til spesifikke programvarerevisjoner finnes i bruksanvisningen for IFS.

- Slå AirSeal IFS ON (På) ved å trykke på ON/OFF-bryteren (Av/på) (fig. 1, A).
- Spaken på AirSeal IFS skal være i opp- eller UNLOCK-posisjonen (Opplåst) (fig. 1, D).
- La den innledende selvtesten fullføres før du fører inn slangesettet filtrert med tre lumen.
- Bruk steril teknikk, og ta ut slangesettet med tre lumen fra pakken. For å unngå skade må du ikke vende enheten på det sterile feltet.
- Før filterhuset til slangesettet med tre lumen inn i slangesettkontakten på forsiden av AirSeal IFS (fig. 1 C).
- Skyv spaken ned i LOCK-posisjonen (Låst) (fig. 9), AirSeal-modus startes automatisk.  
**Merk:** Hvis AirSeal pediatrik modus er aktivert, vil du bli bedt om å velge AirSeal-modus for voksen eller pediatrik. Se bruksanvisningen for AirSeal IFS for detaljer om Pediatric (Pediatrik) AirSeal-modus.
- Kontroller at gassforsyingsnivået som vises på AirSeal IFS-berørings skjermen (fig. 1, B), er tilstrekkelig.
- Velg ønsket strømnings- og trykkinnstillinger for pasienten. Trykk på «Confirm» (Bekreft) for å bekrefte pasientinnstillingene.
- Bruk steril teknikk, og ta AirSeal-tilgangsporten og tilleggsstyret lydhette (8 mm, 12 mm) ut av pakken. For å unngå skade må du ikke vende enheten på det sterile feltet.
- AirSeal-tilgangsporten (obturator og kanylen) leveres sammensatt i pakken, og det er derfor ikke nødvendig å sette dem sammen.  
**Merk:** Hvis det skulle være nødvendig å sette sammen tilgangsporten, må du føre obturatoren inn i kanylen inntil de låses i hverandre.
- Kontroller at obturatoren og kanylen er korrekt sammensatt.
- Følg bruksanvisningen som leveres av produsenten av den valgte transanale plattformenheten når du skal plassere den i rektum.
- Før tilgangsporten inn i den transanale tilgangplattformenheten gjennom egnet lumen eller kanyleposisjon. Drei tilgangsporten med en bevegelse på 30° til 90° når du fører den inn i den transanale tilgangplattformenheten. Påfør kontinuerlig, men kontrollert aksialt trykk på tilgangsporten til den er festet i den transanale tilgangplattformenheten.
- Kontroller at obturatoren og kanylen er riktig ført inn. På dette tidspunktet må du ikke fjerne obturatoren fra kanyleenheten.
- Ta ut manifoldpluggen på siden av kanylen på AirSeal-tilgangsporten, og koble den distale enden av slangesettet filtrert med tre lumen med filter med aktivt kull til kanylemannifolden, og stram til.  
**Merk:** Hvis AirSeal-slangesettet og -tilgangsporten ikke er strammet på riktig måte, kan det hende at trykkavlesningen på enheten ikke gjenspeiler trykket pasienten opplever. En sikker tilkobling kan bekreftes visuelt når en av de hvite ribbene på slangesettets kontakt i midtpunktet er direkte justert mot den øverste delen av tilgangsporten (fig. 15). Når du ser rett inn i midtpunktet på tilgangsporten mens slangesettet er tilkoblet, skal en av ribbene på kontaktstykket på slangesettet stå loddrett mot tilgangsporten (fig. 16).
- AirSeal aktiveres automatisk. La obturatoren være i posisjon til du hører en tone og meldingen «AirSeal active» (AirSeal er aktiv) vises i grønt.
- Fjern obturatoren fra kanylen ved å klemme på obturatorens spærreknapper slik at de to enhetene låses opp.
- Når AirSeal-modus er aktivert og obturatoren er fjernet fra AirSeal-kanylen, vil gjennomstrømningsraten være automatisk.  
**Merk:** Nivået for røykevakuering kan stilles inn som High (Høyt) eller Low (Lavt).
- Tilleggsstyret lydhette (8 mm, 12 mm) kan nå settes på kanylen. (**Merk:** Vær forsiktig ved innsetting av spisse eller store enheter gjennom kanylen ved eventuell bruk av lydhetten. Lydhetten (tilleggsstyre) kan fjernes fra kanylen når som helst under prosedyren, og bør fjernes før du setter skarpe eller store gjenstander inn i kanylen.)
- Når prosedyren er ferdig, trykker du på **STOP** (Stopp) på berørings skjermen for å stoppe AirSeal-insufflasjon (**Merk:** Dette fører til tap av pneumoperitoneum). Ved hjelp av standard laparoskopisk teknikk fjerner du alle kirurgiske enheter og lukker aktuelle portsteder på vanlig måte.  
**Merk:** Når prosedyren er fullført, vil AirSeal-modus gjennomgå en endelig kalibrering før driftsstatus. Det bygges ikke opp verken trykk eller insufflasjon under denne prosessen. Vent til endelig kalibrering er fullført før du fjerner slangesettet filtrert med tre lumen med filter med aktivert trekull eller slår av IFS.
- Flytt spaken på AirSeal IFS til opp- eller UNLOCK-posisjonen (Opplåst).
- Fjern slangesettet filtrert med tre lumen med filter med aktivert trekull fra slangesettkontakten på AirSeal IFS.
- Fordi funksjonstesten utføres under innledende oppstart, må enheten slås av og på for hvert inngrep.

### Generell bruksanvisning for bruk i røykevakuering- og standard insufflasjonsmodi:

#### INNLEDENDE INSUFFLASJON MED VERESS-NÅL

**Merk:** Informasjon om funksjoner knyttet til spesifikke programvarerevisjoner finnes i bruksanvisningen for IFS.

- Slå AirSeal IFS ON (På) ved å trykke på ON/OFF-bryteren (Av/på) (fig. 1, A).
- Når den innledende selvtesten er ferdig, kan du velge enten Smoke Evacuation Mode (Røykevakueringmodus) eller Standard Insufflation Mode (Standard insufflasjonsmodus) på berørings skjermen fra modusvalgelisten på AirSeal IFS (fig. 1, B).
- Kontroller at gassforsyingsnivået som vises på AirSeal IFS-berørings skjermen (fig. 1, B), er tilstrekkelig.
- Koble egnet slangesett til AirSeal IFS (du finner spesifikke instruksjoner for tilkobling av det delte slangesettet for røykevakuering med filter med aktivert trekull).  
**Merk:** I motsetning til de andre slangesettene kobles slangesettet med enkelt lumen til insufflasjonsslansens koblingsstang på forsiden av AirSeal IFS.
- Koble slangesettets Luer lock-kontakt til enden av en Veress-nål eller konvensjonell trokar på vanlig måte. (Du finner spesifikke instruksjoner for tilkobling av det delte slangesettet for røykevakuering med filter med aktivert trekull nedenfor.)
- Still inn ønskede gjennomstrømnings- og trykkverdier på AirSeal IFS-berørings skjermen. Trykk på «Confirm» (Bekreft) for å bekrefte pasientinnstillingene.
- Trykk på «Start» på AirSeal IFS-berørings skjermen. Innledende insufflasjon begynner.
- Når innledende insufflasjon er aktivert, fører du inn den konvensjonelle trokaren med standard Luer-porter.
- Når prosedyren er ferdig, trykker du på **STOP** (Stopp) på berørings skjermen for å stoppe insufflasjon (**Merk:** Dette fører til tap av pneumoperitoneum). Ved hjelp av standard laparoskopisk teknikk fjerner du alle kirurgiske enheter og lukker aktuelle portsteder på vanlig måte.
- Fjern slangesettet fra AirSeal IFS (du finner spesifikke instruksjoner for fjerning av det delte slangesettet for røykevakuering med filter med aktivert trekull nedenfor).
- Fordi funksjonstesten utføres under innledende oppstart, må enheten slås av og på for hvert inngrep.

#### Du finner ytterligere instruksjoner om det delte slangesettet for røykevakuering med filter med aktivert trekull nedenfor

#### For bruk med to konvensjonelle trokarer med standard Luer-porter og det delte slangesettet for røykevakuering med filter med aktivert trekull.

Gjenomsiktig slange: Insufflasjon  
Blå slange: Røykevakuering

Koble til det delte slangesettet for røykevakuering med filter med aktivert trekull

**Merk:** Informasjon om funksjoner knyttet til spesifikke programvarerevisjoner finnes i bruksanvisningen for IFS.

- Spaken på AirSeal IFS skal være i opp- eller UNLOCK-posisjonen (Opplåst) (fig. 1, D).
- Før filterhuset til det delte slangesettet for røykevakuering med filter med aktivert trekull inn i slangesettkontakten på forsiden av AirSeal IFS (fig. 1, C).
- Skyv spaken ned i LOCK-posisjonen (Låst).
- Koble Veress-nålen til Luer lock-kontakten til den gjenomsiktige slangen på det delte slangesettet for røykevakuering med filter med aktivert trekull.
- Still inn ønskede gjennomstrømnings- og trykkverdier på AirSeal IFS-berørings skjermen. Trykk på «Confirm» (Bekreft) for å bekrefte pasientinnstillingene.
- Trykk på Start på AirSeal IFS-berørings skjermen. Innledende insufflasjon begynner.
- Kontroller at kanylene er riktig ført inn.
- Fjern Veress-nålen, og koble fra det delte slangesettet for røykevakuering med filter med aktivert trekull.
- Koble Luer lock-kontakten til den **GJENOMSIKTIGE** slangen for det delte slangesettet for røykevakuering med filter med aktivert trekull til den konvensjonelle kanylen. Åpne innstrømningsventilen/stengeventilen.

10. Følg oppfordringene på AirSeal iFS-berørings skjermen. Når du blir bedt om det, kobler du Luer lock-kontakten til den **BLÅ** slangen for det delte slangesettet for røykevakuering med filter med aktivert trekkull til en annen konvensjonell kanylen. Insufflasjon er fortsatt aktivert.
11. Når Luer lock-en på kontakten til den **BLÅ** slangen for det delte slangesettet for røykevakuering med filter med aktivert trekkull kobles til den andre konvensjonelle kanylen, aktiveres røykevakuering.

**ALVORLIGE HENDELSER** – Alle alvorlige hendelser som oppstår ved bruk av denne enheten, må rapporteres umiddelbart til CONMEDs kundeserviceavdeling eller den lokale CONMED-representanten. E-post: CustomerExperience@CONMED.com

Fjerne det delte slangesettet for røykevakuering med filter med aktivert trekkull

**Merk: Informasjon om funksjoner knyttet til spesifikke programvareversjoner finnes i bruksanvisningen for iFS.**

1. Når prosedyren er ferdig, trykker du på **STOP** (Stopp) på berørings skjermen for å stoppe insufflasjon (Merk: Dette fører til tap av pneumoperitoneum). Ved hjelp av standard laparoskopisk teknikk fjerner du alle kirurgiske enheter og lukker aktuelle portsteder på vanlig måte.
2. Flytt spaken på AirSeal iFS til opp- eller UNLOCK-posisjonen (Opplåst).
3. Fjern det delte slangesettet for røykevakuering med filter med aktivert trekkull fra slangesettkontakten på AirSeal iFS.
4. Fordi funksjonstesten utføres under innledende oppstart, må enheten slås av og på for hvert inngrep.

#### AVHENDING

Kast den gamle enheten i henhold til lokale sykehuskrav.

#### SLIK LEVERES UTSTYRET

Den optiske AirSeal-tilgangsporten, AirSeal-tilgangsporten med lav profil, tilleggsutstyret lydhette (8 mm, 12 mm), AirSeal-tilgangsporten for stump tupp, AirSeal-kanylen, det delte slangesettet for røykevakuering med filter med aktivt kull, slangesettet filtrert med tre lumen med filter med aktivt kull, slangesettet med enkelt lumen og AirSeal-adapteren for enkeltlumen leveres sterilisert ved gammastråling for bruk på én pasient. Kastes etter bruk. AirSeal-tilgangsportene, lydhettene og slangesettene er ikke laget av naturgummilatteks.

AirSeal iFS er ikke-steril og gjenbrukbar.

AirSeal® er et registrert varemerke som tilhører CONMED Corporation.

**IRX ONLY** FORSIKTIG: Denne enheten kan kun selges av eller på forordning av lege.

## CHINESE

#### AirSeal® iFS

##### AirSeal® 通路接口

无刀刀光学尖端、Low Profile 无刀刀光学尖端、Palm Grip 无刀刀光学尖端和钝型尖端通路接口

##### AirSeal® 过滤管组

带活性炭过滤器的三腔过滤管组、带活性炭过滤器的分叉排烟过滤管组和单腔过滤管组

#### 示意图：插图和命名

<p><b>AirSeal iFS (图 1)</b></p> <ol style="list-style-type: none"> <li>A. 开关</li> <li>B. 触摸显示屏</li> <li>C. AirSeal 和排烟模式管组座</li> <li>D. 将管组锁定到位的锁定杆</li> <li>E. 气腹管连接, 用于标准气腹模式</li> </ol> <p><b>无刀刀通路接口 (图 2/3)</b></p> <ol style="list-style-type: none"> <li>A. 歧管插头</li> <li>B. 套管</li> <li>C. 无刀刀光学尖端阻塞器</li> <li>D. 套管门锁</li> </ol> <p><b>钝型尖端通路接口 (图 4)</b></p> <ol style="list-style-type: none"> <li>A. 歧管插头</li> <li>B. 套管</li> <li>C. 钝型尖端阻塞器</li> <li>D. 弹簧锚固件-缝线束缚锚固件装置</li> </ol> <p><b>可选消声盖 (图 5)</b></p>	<p><b>管组 (图 6/7/8)</b></p> <ol style="list-style-type: none"> <li>A. 过滤器</li> <li>B. 2.44-3.05 米 (8-10 英尺) 管</li> <li>C. Luer 锁配件</li> <li>D. 单腔接管总成</li> <li>E. 拇指托</li> </ol> <p><b>AirSeal 模式 (图 9)</b></p> <p><b>排烟模式 (图 10)</b></p> <p><b>标准气腹模式 (图 11)</b></p> <p><b>插入内窥镜 (图 12)</b></p> <ol style="list-style-type: none"> <li>A. AirSeal 通路接口</li> <li>B. 适当尺寸的内窥镜</li> </ol> <p><b>插入内窥镜 (图 13)</b></p> <p>A. 在插入过程中旋转动作将减轻插入力</p> <p><b>取出内窥镜 (图 14)</b></p> <ol style="list-style-type: none"> <li>A. 缩回内窥镜</li> <li>B. 按此处以释放套管</li> </ol> <p><b>与 AirSeal 管组正确连接的 AirSeal 通路接口俯视图 (图 15)</b></p> <p>A. 管组靶心连接器鳍片</p> <p><b>与 AirSeal 管组正确连接的 AirSeal 通路接口正视图 (图 16)</b></p> <p>A. 管组靶心连接器鳍片</p>
---	---

#### 重要！在使用产品前，请仔细阅读以下信息。

本手册旨在协助您使用本产品，而不用作手术技法的参考资料。此外，请参阅 AirSeal iFS 的使用说明，以了解 AirSeal iFS 和所有操作模式的完整说明。

#### 适用范围：

CONMED AirSeal® iFS 系统适合在诊断性和/或治疗性内窥镜手术中用于通过充气扩张腔室、为内窥镜仪器建立和维持气密性良好的无障碍进入通道，以及用于排出手术烟雾。该系统适用于需要气腹的腹部、胸部和儿科手术，可将气体注入腹腔或胸腔使之膨胀，从而为仪器建立和维持气密性良好的无障碍通道并可排出手术烟雾，使各种胸腔镜和腹腔镜检查仪器的使用更为简单、方便。该仪器还可用于向直肠和结肠注入气体，从而协助内窥镜观察、诊断和治疗。AirSeal® iFS 系统的套管针可单独使用或与可视化设备配合使用。

#### AirSeal iFS 有三种操作模式：

1. AirSeal 模式 (图 9)
2. 排烟模式 (图 10)
3. 标准气腹模式 (图 11)

#### AirSeal 模式：

当在 AirSeal 模式下使用时，AirSeal iFS 适用于在腹腔镜下手术过程中使用稳定的气腹和连续排烟提供 CO<sub>2</sub> 气体输送，并且需要使用 AirSeal iFS、AirSeal 通路接口和带活性炭过滤器的三腔过滤管组。带活性炭过滤器的三腔过滤管组用于连接 AirSeal 通路接口和 AirSeal iFS (图 9)。

#### Smoke Evacuation 模式：

当在排烟模式下使用时，AirSeal iFS 适用于在腹腔镜下手术过程中提供 CO<sub>2</sub> 气体输送和连续排烟，并且需要使用 AirSeal iFS、两个带有标准 Luer 接口的常规 (非 AirSeal) 套管针，以及带活性炭过滤器的分叉排烟管组。两个常规套管

针用于连接带活性炭过滤器的分叉排烟管组，以沿着排烟通道提供CO<sub>2</sub>气体输送。带活性炭过滤器的分叉排烟管组分叉，并将两个常规套管针连接至 AirSeal iFS (图 10)。

#### Standard Insufflation 模式：

当在标准气腹模式下使用时，AirSeal iFS 适用于在腹腔镜下手术过程中以常规气腹机相同格式下提供 CO<sub>2</sub> 气体输送和标准气腹，并且需要使用 AirSeal iFS、一个带有标准 Luer 接口的常规（非 AirSeal）套管针以及单腔过滤管组。套管针上的 Luer 接口连接至单腔过滤管组，以提供标准气腹和 CO<sub>2</sub> 气体输送。单腔过滤管组将一个常规套管针连接至 AirSeal iFS (图 11)。

#### AirSeal 通路接口有两种可用配置：

1. 无刀刀光学尖端通路接口 (图 2 和 3)
2. 钝型尖端通路接口 (图 4)

如果使用无刀刀光学尖端通路接口进行一级进入，建议使用腹腔镜进行视像监测，以增加腹部进入的安全。

#### AirSeal 管组有三种可用配置：

1. 带活性炭过滤器的三腔过滤管组 (图 6)
2. 带活性炭过滤器的分叉排烟管组 (图 7)
3. 单腔过滤管组 (图 8)

确保根据 AirSeal iFS 上所选择的模式使用正确的管组。如果插入错误的管组，所选 AirSeal iFS 模式将不会继续运行，且将出现一条警告消息。

过滤管组不适用于引入液体。如果液体进入过滤器，AirSeal iFS 的触摸显示屏上将出现一条警告消息。如果发生这种情况，应检查套管放置，并准备更换管组。

#### 警告：

- 未能正确遵循说明可导致严重手术后果。
- 只有腹腔镜技术知识、经验和培训合格的医生才能使用 AirSeal 系统组件。
- 这些使用说明不包括手术技法或腹腔镜下程序的描述或说明。执行任何程序的医生都有责任确定使用这些产品所执行程序类型的适当性，并确定对每位患者使用的特定技法。
- AirSeal 系统的内含组件只有在有效期之前使用，且包装未打开及未损坏的情况下才无菌。如果已超出有效期或包装已打开或损坏，请勿使用。
- 所有一次性使用的 AirSeal 系统装置（通路接口和管组）经包装和灭菌，仅供单个患者使用。请勿重复使用、重复处理或重复灭菌。重复使用、再处理或重复灭菌可能会影响装置的结构完整性并/或导致装置故障，从而可能造成患者受伤、患病或死亡。另外，重复处理或重复灭菌一次性装置可能产生污染和/或造成患者感染或交叉感染的风险，包括但不限于患者之间的传染病传播。装置污染可能造成患者受伤、患病或死亡。
- 请勿将套管尖端浸入冲洗液或体液中。
- 如果控制面板侧面或底部的散热孔堵塞，AirSeal iFS 将发出警报。如果警报响起，检查散热孔是否有任何堵塞。
- 如果不存在上述情况，警报继续响起，停止使用 AirSeal iFS 并退回给制造商进行维修。

#### 注意事项：

- 气腹形成有已知的生理副作用，包括静脉回流减少、心输出量减少、肾功能下降、颅内压增加、气道阻力增加，以及肺顺应性降低。
- 应仅由经过充分培训、熟悉微创手术技法并具有相关能力的人员实施微创操作。在执行任何微创手术前，请查阅医疗文献以了解相关技术、并发症和危险。
- 透彻理解激光、电凝和超声操作涉及的原理和技法，这对避免患者和医务人员发生触电、烧伤危险、损坏装置或其他医疗器械至关重要。确保电气绝缘或接地不受影响。
- 以下情况下存在空气夹带的风险：
  - 对腹部外部施加重力
  - 通过适当位置的其他常规接口或开放切口的严重和持久泄漏
  - 严重和长期的吸引
- 上述情况下空气移出气腹气体是暂时的，CO<sub>2</sub> 将移出夹带的空气。
- 用于结直肠程序时，气腹压力请勿超过 15 mm Hg。
- 二氧化碳注入压力过高 (> 15 mm Hg) 会增加高碳酸血症、皮下气肿、纵隔气肿、气胸、阴囊气肿和尿滞留的风险。
- 如果使用可选消声盖 (8 mm、12 mm)：
  - 使用之前，请检查消声盖的泡沫和密封。
  - 使用后，请检查消声盖是否存在任何物理损坏。
- 在插入 AirSeal 通路接口时要格外小心。本产品使用不当可能会对内部器官和血管造成危及生命的伤害。
  - 确保建立了充足的气腹或直肠气腹
  - 确保患者摆位正确，以使穿透部位远离器官
  - AirSeal 通路接口尖端朝向偏离重要的血管和器官
  - 注意，AirSeal 通路接口的外壁只能与组织接触，不得卡在坚硬表面之间，也不得与坚硬表面碰撞，例如其他器械或骨。长时间或突然接触坚硬表面可能导致通路接口损坏或断裂。
  - 请勿向下用力过大
- 仅可沿 AirSeal 通路接口向下穿过手术手部器械。切勿将套管或自动器械插入 AirSeal 通路接口。使用不当会导致通路接口损坏或断裂。
- 无刀刀光学尖端通路接口的设计特性旨在最大程度地减少对底层解剖结构造成穿通伤的可能性。不过还是必须遵守所有此类插入应用的标准防范措施。
- 虽然无刀刀光学尖端通路接口有个“无刀刀”尖端，在使用所有此类装置时仍须谨慎，以免损伤大血管和其他解剖结构（如肠或肠系膜）。要最大程度地减少此类损伤的风险，确保：
  - 建立充足的气腹或直肠气腹
  - 患者摆位正确以帮助器官移出穿透区域
  - 注意重要的解剖标志
  - AirSeal 通路接口尖端朝向远离大血管和结构
  - 切勿用力过大或不受控制
  - 尽可能采用光学进入技法。
- 部分设备进入腹腔后，可能只需极小的力即可使其完全进入。过度用力可能会损伤底层解剖结构。
- 在腹腔镜下正确进入后，不应推进无刀刀光学尖端通路接口进行进一步穿透。此时继续推进通路接口可能会损伤底层解剖结构。
- 安全且正确进入后，AirSeal 通路接口用于进行气腹时，应确保在腔内一直看到 AirSeal 通路接口远端的黑线。
- 在确立初次部位和推荐的腹内压力（通常为 12-18 mm Hg）之前，请勿尝试二次套管针穿刺。
- 从腹腔中取出套管后，务必检查穿刺部位止血情况。如果未止血，应采用适当的方法止血。

- 带活性炭过滤器的三腔过滤管组和带活性炭过滤器的分叉排烟管组配备有液体传感器，用来监控过滤器中的液位并警告用户可能发生的装置污染。如果过滤器外壳的集液器加注至 Low (低) 液位，则会在触摸显示屏上显示警告消息，并发出声音信号。应检查套管和管路布置，确保不会有更多液体进入过滤器。此时，将阻塞器重新插入 AirSeal 通路接口并更换过滤管组。
- 接触体液的器械或装置可能需要特殊的处置操作，以防生物污染。

## 禁忌

在禁用内窥镜微创技术的场合下，禁止使用此 AirSeal iFS。

**重要：**本包装插页旨在提供使用说明。不作为套管针插入技法的参考或指南。在气腹形成后成功将无刀刃光学尖端套管针作为一级接口使用取决于识别和区分组织层。因此，新用户应首先在气腹形成后将光学尖端套管针作为二级接口使用，以积累可视化组织层的经验和程序性能。只有在获得以上技法的使用经验后，才可以在气腹形成后将光学尖端套管针作为一级接口使用。

**注意：**在无菌演示前，目视检查无菌屏障系统是否存在任何可能影响无菌性的包装完整性问题。如果发现无菌屏障系统损坏，请勿使用。

## 使用说明

**AirSeal 通路接口在 AirSeal 模式下的一般使用说明：**

**注意：有关具体软件版本的特性，请参阅 iFS 使用说明。**

- 按下开关打开 AirSeal iFS (图 1, A)。
- AirSeal iFS 的锁定杆应朝上或处于 UNLOCK (解锁) 位置 (图 1, D)。
- 在插入三腔过滤管组之前，请先等待初始自检结束。
- 使用无菌技术，将三腔管组从包装中取出。为避免损坏，请勿将器械抛入无菌区。
- 将三腔管组的过滤器外壳插入 AirSeal iFS 正面的管组插口 (图 1, C)。
- 向下推动锁定杆到 LOCK (锁定) 位置 (图 9)，AirSeal 模式将自动启动。  
**注：**如果激活 AirSeal 儿科模式，系统将提示您选择成人或儿科 AirSeal 模式。有关 Pediatric AirSeal (儿科 AirSeal) 模式的详细信息，请参阅 AirSeal iFS 的使用说明。
- 查看 AirSeal iFS 触摸显示屏，确保有足够的供气量 (图 1, B)。
- 选择患者所需的流量和压力设置。按“Confirm” (确认) 以确认患者设置。

**参见以下使用无刀刃光学尖端通路接口进行气腹针进入的进一步说明。此技法不用于钝型尖端 (Hasson 型) 腹部进入。如果不使用气腹针进入技法，前进步骤 9。**

- 单腔接管已预先连接至带活性炭过滤器的三腔过滤管组。
- 将单腔接管连接至气腹针 Luer 接口，并根据制造商说明插入。
- 在 AirSeal iFS 触摸显示屏上设置所需的流量和压力值。
- 在 AirSeal iFS 触摸显示屏上按下“Start” (开始)，将开始初始气腹。
- 当初始气腹完成后，断开带活性炭过滤器的三腔过滤管组与单腔接管。
- 取出气腹针。

**如果 AirSeal 通路接口不是第一个要放置的套管针，保持单腔接管连接到带活性炭过滤器的三腔过滤管组，并将单腔接管转换至放置的第一个常规套管针的 Luer 接口。插入 AirSeal 通路接口后才能取出单腔接管。**

- 使用无菌技术，将 AirSeal 通路接口和可选消声盖 (8 mm、12 mm) 从包装中取出。为避免损坏，请勿将器械抛入无菌区。
- AirSeal 通路接口 (阻塞器和套管) 在包装时已预先组装好，所以无需再次组装。**注：**如果需要组装通路接口，则将阻塞器插入套管，直至其锁定牢固。
- 确保阻塞器和套管组装正确。**注：**如果使用钝型尖端通路接口，还应确保弹簧锚固件放置到位 (图 4, D)。
- 使用标准手术程序做个切口。(注：切口应可容纳套管的直径。切口不足可能会导致插入阻力增加，增加所需的穿透力，并有可能导致在进入过程中失去控制。)

**即可插入已组装的通路接口。如果使用钝型尖端通路接口，应使用适当的腹腔镜 (Hasson 型) 进入技法。**

- 使用 30° 至 90° 旋转动作将通路接口总成插入皮肤切口。在手柄上连续施加受控的向下压力。
- 确保通路接口插入正确。此时请勿将阻塞器从套管中取出。**注：**如果使用钝型尖端通路接口，应使用缝线以常规方式将弹簧锚固件向下固定到患者的腹部。
- 将 AirSeal 通路接口用于气腹时，应确保能在腔内一直看到 AirSeal 通路接口远端的黑线。
- 将歧管插头从 AirSeal 通路接口的套管侧面取出，然后将带活性炭过滤器的三腔过滤管组的远端连接至套管歧管并拧紧。  
**注意：**如果未适当拧紧 AirSeal 管组和通路接口，装置上的压力读数可能无法反映患者所承受的压力。当管组靶心连接器上的一个白色鳞片直接对准通路接口顶部时，即可目测确认连接是否牢固 (图 15)。在连接管组时，直视通路接口的靶心，管组连接器件上的一个鳞片应直接垂直于通路接口 (图 16)。
- AirSeal 会自动激活。将阻塞器留在原位，直到听到可听提示音并看到绿色的“AirSeal active” (AirSeal 激活) 消息为止。
- 通过挤压阻塞器门锁按钮解锁两个装置，将阻塞器从套管中取出。**注：**钝型尖端通路接口没有门锁按钮，因此可将阻塞器从套管中直接拔出。
- 当 AirSeal 模式激活且已将阻塞器从 AirSeal 套管中取出时，流量将变为自动。**注：**排烟水平可设置为 High (高) 或 Low (低)。
- 如果需要，此时可将可选消声盖 (8 mm、12 mm) 盖在套管顶部。(注：如果使用可选消声盖，则在将尖锐或较大设备穿过套管时需格外谨慎。在此过程中的任何时间都可将可选消声盖从插管上取下，并且应在将任何锐器或大型物体插入套管之前将其取下。)
- 在程序结束时，按触摸显示屏上的 STOP (停止) 以停止 AirSeal 气腹 (注：这将会造成气腹消退)。使用标准腹腔镜技法，以常规方式取出所有手术装置并关闭对应的接口位置。**注：**程序完成后，AirSeal 模式在关闭前将进行最终校准。在此过程中，不会产生任何压力或气腹。最终校准完成后，再取下带活性炭过滤器的三腔过滤管组或关闭 iFS。
- 将 AirSeal iFS 上的锁定杆移动到向上或 UNLOCK (解锁) 位置。
- 将带活性炭过滤器的三腔过滤管组从 AirSeal iFS 管组座中取出。
- 由于初始启动期间执行了功能测试，必须在每次手术前重启 (关闭/打开) 装置。

**参见以下使用内窥镜插入无刀刃光学尖端通路接口的进一步说明。**

**注意：有关具体软件版本的特性，请参阅 iFS 使用说明。**

- 按照制造商的说明指示将 0° 内窥镜连接至光源和监视器。核实内窥镜连接正确并确保监视器上的图像清晰度。
- 将内窥镜插入到无刀刃光学尖端通路接口手柄近端的开口中，直至其到达通路接口的远端。(插入内窥镜；图 12)。
- 根据需要旋转内窥镜。(插入内窥镜；图 13)。

- 要在监视器上显示清晰的图像，将内窥镜插入到无刀刀光学尖端通路接口手柄，让光学尖端接触方便操作的柔软表面，并对摄像机进行对焦。
- 使用标准手术程序做个切口。（注：切口应可容纳套管的直径。切口不足可能会导致插入阻力增加，增加所需的穿透力，并有可能导致在进入过程中失去控制。）使用30°至90°旋转动作将通路接口总成插入皮肤切口。在手柄上连续施加受控的向下压力。
- 在插入通路接口的过程中，通过使用腹腔镜查看通路接口穿过各个组织平面的穿透情况。随着通路接口推进，可以看到不同的组织平面。
- 将腹腔镜从无刀刀光学尖端通路接口中取出（取出内窥镜；图14）。
- 按照上述说明，从步骤13开始继续操作。

#### 使用说明

##### 经肛应用中 AirSeal 模式下 AirSeal 通路接口的使用说明：

**注意：有关具体软件版本的特性，请参阅 iFS 使用说明。**

- 按下开关打开 AirSeal iFS（图1，A）。
- AirSeal iFS 的锁定杆应朝上或处于 UNLOCK（解锁）位置（图1，D）。
- 在插入三腔过滤管组之前，请先等待初始自检结束。
- 使用无菌技术，将三腔管组从包装中取出。为避免损坏，请勿将器械抛入无菌区。
- 将三腔管组的过滤器外壳插入 AirSeal iFS 正面的管组插口（图1，C）。
- 向下推动锁定杆到 LOCK（锁定）位置（图9），AirSeal 模式将自动启动。  
**注：**如果激活 AirSeal 儿科模式，系统将提示您选择成人或儿科 AirSeal 模式。有关 Pediatric AirSeal（儿科 AirSeal）模式的详细信息，请参阅 AirSeal iFS 的使用说明。
- 查看 AirSeal iFS 触摸显示屏，确保有足够的供气供应量（图1，B）。
- 选择患者所需的流量和压力设置。按“confirm”（确认）以确认患者设置。
- 使用无菌技术，将 AirSeal 通路接口和可选消声盖（8 mm、12 mm）从包装中取出。为避免损坏，请勿将器械抛入无菌区。
- AirSeal 通路接口（阻塞器和套管）在包装时已预先组装好，所以无需再次组装。  
**注：**如果需要组装通路接口，则将阻塞器插入套管，直至其锁定牢固。
- 确保阻塞器和套管组装正确。
- 按照所选择的经肛通路接口设备制造商提供的使用说明，将设备放入直肠。
- 将通路接口经由合适的腔体或套管位置插入经肛通路接口设备。将通路接口插入经肛通路接口设备时，可通过30°至90°的旋转动作引导其插入。在通路接口上连续施加受控的轴向压力，直到将其固定于经肛通路接口设备。
- 确保阻塞器和套管插入正确。此时请勿将阻塞器从套管总成中取出。
- 将歧管插头从 AirSeal 通路接口的套管侧面取出，然后将带活性炭过滤器的三腔过滤管组的远端连接至套管歧管并拧紧。  
**注意：**如果未适当拧紧 AirSeal 管组和通路接口，装置上的压力读数可能无法反映患者所承受的压力。当管组靶心连接器上的一个白色鳞片直接对准通路接口顶部时，即可目测确认连接是否牢固（图15）。在连接管组时，直视通路接口的靶心，管组连接器上的一个鳞片应直接垂直于通路接口（图16）。
- AirSeal 会自动激活。将阻塞器留在原位，直到听到可听提示音并看到绿色的“AirSeal active”（AirSeal 激活）消息为止。
- 通过挤压套管门锁按钮解锁两个装置，将阻塞器从套管中取出。
- 当 AirSeal 模式激活且已将阻塞器从 AirSeal 套管中取出时，流量将变为自动。  
**注：**排烟水平可设置为 High（高）或 Low（低）。
- 如果需要，此时可将可选消声盖（8 mm、12 mm）盖在套管顶部。（注：如果使用可选消声盖，则在将尖锐或较大设备穿过套管时需格外谨慎。在此过程中的任何时间都可将可选消声盖从插管上取下，并且应在将任何锐器或大型物体插入套管之前将其取下。）
- 在程序结束时，按触摸显示屏上的 STOP（停止）以停止 AirSeal 气腹（注：这将会造成气腹消退）。使用标准腹腔镜技术，以常规方式取出所有手术装置并关闭对应的接口位置。  
**注：**程序完成后，AirSeal 模式在关闭前会进行最终校准。在此过程中，不会产生任何压力或气腹。最终校准完成后，再取下带活性炭过滤器的三腔过滤管组或关闭 iFS。
- 将 AirSeal iFS 上的锁定杆移动到向上或 UNLOCK（解锁）位置。
- 将带活性炭过滤器的三腔过滤管组从 AirSeal iFS 管组座中取出。
- 由于初始启动期间执行了功能测试，必须在每次手术前重启（关闭/打开）装置。

#### 排烟和标准气腹模式下的使用说明：

##### 使用气腹针进行初始气腹

**注意：有关具体软件版本的特性，请参阅 iFS 使用说明。**

- 按下开关打开 AirSeal iFS（图1，A）。
- 初始自检结束后，在触摸显示屏上的 AirSeal iFS 模式选择列表中选择排烟模式或标准气腹模式（图1，B）。
- 查看 AirSeal iFS 触摸显示屏，确保有足够的供气供应量（图1，B）。
- 将适当的管组连接到 AirSeal iFS（参见以下连接带活性炭过滤器的分叉排烟管组的具体说明）。  
**注：**与其他管组不同，单腔管组与位于 AirSeal iFS 正面的气腹管连接柱连接。
- 以常规方式将管组的 Luer 锁连接器与气腹针或常规套管针的末端连接。（参见以下连接带活性炭过滤器的分叉排烟管组的具体说明）。
- 在 AirSeal iFS 触摸显示屏上设置所需的流量和压力值。按“confirm”（确认）以确认患者设置。
- 在 AirSeal iFS 触摸显示屏上按下“Start”（开始），初始气腹将开始。
- 初始气腹完成后，即可插入带有标准 Luer 接口的常规套管针。
- 在程序结束时，按触摸显示屏上的 STOP（停止）以停止气腹（注：这将会造成气腹消退）。使用标准腹腔镜技术，以常规方式取出所有手术装置并关闭对应的接口位置。
- 从 AirSeal iFS 上取出管组（参见以下取出带活性炭过滤器的分叉排烟管组的具体说明）。
- 由于初始启动期间执行了功能测试，必须在每次手术前重启（关闭/打开）装置。

#### 参见以下带活性炭过滤器的分叉排烟管组的具体说明

##### 用于与带有标准 Luer 接口的两个常规套管针和带活性炭过滤器的分叉排烟管组配合使用。

透明管：气腹  
蓝色管：排烟

##### 连接带活性炭过滤器的分叉排烟管组

**注意：有关具体软件版本的特性，请参阅 iFS 使用说明。**

- AirSeal iFS 的锁定杆应朝上或处于 UNLOCK（解锁）位置（图1，D）。
- 将带活性炭过滤器的分叉排烟管组的过滤器外壳插入到位于 AirSeal iFS 正面的管组座中（图1，C）。
- 向下推动锁定杆到 LOCK（锁定）位置。
- 将气腹针连接至带活性炭过滤器的分叉排烟管组透明管的 Luer 锁连接器。
- 在 AirSeal iFS 触摸显示屏上设置所需的流量和压力值。按“confirm”（确认）以确认患者设置。
- 在 AirSeal iFS 触摸显示屏上按下“Start”（开始），初始气腹将开始。
- 确保套管插入正确。

- 取出気腹針并与带活性炭过滤器的分叉排烟管组断开连接。
- 将常规套管连接至带活性炭过滤器的分叉排烟管组透明管的 Luer 锁连接器上。打开流入阀/旋塞阀。
- 按照 AirSeal iFS 触摸屏显示屏上的提示进行操作。按照提示，将第二个常规套管连接至带活性炭过滤器的分叉排烟管组蓝色管的 Luer 锁连接器上。气腹仍处于激活状态。
- 当第二个常规套管连接至带活性炭过滤器的分叉排烟管组蓝色管的 Luer 锁连接器上时，排烟功能被激活。

**严重事故** — 如果在使用本器械时发生任何严重事故，请立即向 CONMED 客户服务部或当地 CONMED 代表报告。  
 电子邮件: CustomerExperience@CONMED.com

#### 取出带活性炭过滤器的分叉排烟管组

**注意: 有关具体软件版本的特性, 请参阅 iFS 使用说明。**

- 在程序结束时, 按触摸屏显示屏上的 **STOP** (停止) 以停止气腹 (注: 这将会造成气腹消退)。使用标准腹腔镜技术, 以常规方式取出所有手术装置并关闭对应的接口位置。
- 将 AirSeal iFS 上的锁定杆移动到向上或 UNLOCK (解锁) 位置。
- 将带活性炭过滤器的分叉排烟管组从 AirSeal iFS 管组座中取出。
- 由于初始启动期间执行了功能测试, 必须在每次手术前重启 (关闭/打开) 装置。

#### 处置

根据当地医院要求处置器械。

#### 供货方式

所有 AirSeal 光学通路接口、AirSeal 低剖面通路接口、可选消声盖 (8 mm、12 mm)、AirSeal 钝型尖端通路接口、AirSeal 套管、带活性炭过滤器的分叉排烟管组、带活性炭过滤器的三腔过滤器管组、单腔管组以及 AirSeal 单腔接管, 均经过  $\gamma$  射线灭菌以无菌方式供货, 仅供单个患者使用。用后请丢弃。AirSeal 通路接口、消声盖和管组均不是由天然橡胶制成。

AirSeal iFS 为非无菌, 可重复使用。

AirSeal® 是 CONMED Corporation 的注册商标。

【Rx ONLY】小心: 美国联邦法律限制本装置由医生或遵医嘱销售。

## JAPANESE

#### AirSeal® iFS

#### AirSeal® アクセスポート

ブレードレス・オプティカルチップ、ロープロファイル・ブレードレス・オプティカルチップ・オブチュレータ、バームグリッ  
 プ・ブレードレス・オプティカルチップ、およびプラントチップ・アクセスポート

#### AirSeal® フィルタのチューブセット

活性化木炭フィルタ付きの三股式内腔フィルタのチューブセット、活性化木炭フィルタ付きの二股式 Evac チューブセット、  
 単孔式内腔フィルタのチューブセット

#### 概略図: 図解および命名法

<p><b>AirSeal iFS (図1)</b></p> <ol style="list-style-type: none"> <li>ON/OFF電源スイッチ</li> <li>タッチスクリーン画面</li> <li>AirSealモードと排煙モード用レセプタクル</li> <li>ロックングチューブ固定レバー</li> <li>標準気腹モード用気腹チューブ接続部</li> </ol> <p><b>ブレードレス・アクセスポート (図2/3)</b></p> <ol style="list-style-type: none"> <li>マニホールドプラグ</li> <li>カニューレ</li> <li>ブレードレス・オプティカルチップ・オブチュレータ</li> <li>カニューレ・ラッチ</li> </ol> <p><b>プラントチップ・アクセスポート (図4)</b></p> <ol style="list-style-type: none"> <li>マニホールドプラグ</li> <li>カニューレ</li> <li>プラントチップ・オブチュレータ</li> <li>スプリングアンカー - 縫合糸固定アンカー</li> </ol> <p><b>オプションのサウンドキャップ (図5)</b></p>	<p><b>チューブセット (図6/7/8)</b></p> <ol style="list-style-type: none"> <li>フィルタ</li> <li>2.44~3.05 m (8~10フィート) チューブ</li> <li>ルアーロックフィッティング</li> <li>単孔式アダプターアセンブリ</li> <li>サムカラー</li> </ol> <p><b>AirSealモード (図9)</b></p> <p><b>排煙モード (図10)</b></p> <p><b>標準気腹モード (図11)</b></p> <p><b>内視鏡の挿入 (図12)</b></p> <ol style="list-style-type: none"> <li>AirSealアクセスポート</li> <li>適切な大きさの内視鏡</li> </ol> <p><b>内視鏡の挿入 (図13)</b></p> <ol style="list-style-type: none"> <li>回転させながら挿入すると挿入力が軽減されます。</li> </ol> <p><b>内視鏡の取外し (図14)</b></p> <ol style="list-style-type: none"> <li>式内視鏡を格納</li> <li>ここを押し、カニューレを取外す</li> </ol> <p><b>AirSealチューブセットに正しく接続されたAirSealアクセスポートの上面図 (図15)</b></p> <ol style="list-style-type: none"> <li>チューブセットプルズアイコネクターフィン</li> </ol> <p><b>AirSealチューブセットに正しく接続されたAirSealアクセスポートの正面図 (図16)</b></p> <ol style="list-style-type: none"> <li>チューブセットプルズアイコネクターフィン</li> </ol>
---	---

**重要!** 本品使用前には、以下を熟読してください。

本書は本品を使用する上で補助の役割をするために作成されたものです。手技に関する参考資料ではありません。さらに、AirSeal iFSおよびすべての操作モードに関する詳細な説明はAirSeal iFSの取扱説明書を参照してください。

#### 適応:

CONMED AirSeal® iFSシステムは、内視鏡検査及び手術を行う際に、腔内にガスを送り込んで腔内を拡張し、排煙を行いながら気密で障害がない内視鏡下手術器具の挿入経路を確立して維持するために使用するものです。腹腔または胸腔にガスを満たして膨張させ、気密で障害がない機器の経路を確立して維持し、さらに術中に発生する煙を排出することにより、各種の腹腔鏡または胸腔鏡装置の使用が促進される腹腔、胸腔、および小児処置で適応となります。本機器は、直腸および結腸にガスを注入し、内視鏡による観察、診断、および治療を促進するためにも使用できます。AirSeal® iFSシステムのトロッカーは可視化の有無に関わらず適応となります。

AirSeal iFSは、以下の3つの操作モードを使用することができます。

- AirSealモード (図9)
- 排煙モード (図10)
- 標準気腹モード (図11)

#### AirSealモード:

AirSealモードを選択すると、AirSeal iFSは腹腔鏡下手術中にCO<sub>2</sub>ガスを送り込んで気腹を保ち、持続的に排煙を行います。AirSeal iFS、AirSealアクセスポート、活性化木炭フィルタ付きの三股式内腔フィルタのチューブセットを使用してください。活性化木炭フィルタ付きの三股式内腔フィルタのチューブセットは、AirSealアクセスポートをAirSeal iFSに接続するために使用します (図9)。

### Smoke Evacuation モード:

排煙モードを選択すると、AirSeal iFSは腹腔鏡下手術中にCO<sub>2</sub>ガスを送り、持続的に排煙を行います。AirSeal iFS、標準Luerポートを備えたトロッカー (AirSeal以外) 2つ、活性炭化木炭フィルタ付きの二股式Evacチューブセットを使用してください。2つのトロッカーは、活性炭化木炭フィルタ付きの二股式Evacチューブセットを接続するために使用し、排煙経路に沿ってCO<sub>2</sub>ガスを送ります。活性炭化木炭フィルタ付きの二股式Evacチューブセットは二股に分かれており、2つのトロッカーをAirSeal iFSへ接続します (図10)。

### Standard Insufflation モード:

標準気腹モードを選択すると、AirSeal iFSは腹腔鏡下手術中にCO<sub>2</sub>を送り、従来の気腹と同一形式で標準気腹を行います。AirSeal iFS、標準Luerポートを備えたトロッカー (AirSeal以外) 1つ、単孔式フィルタのチューブセットを使用してください。トロッカーのLuerポートを単孔式フィルタのチューブセットに接続し、標準気腹およびCO<sub>2</sub>ガス送気を行います。単孔式フィルタのチューブセットは、1つのトロッカーをAirSeal iFSへ接続します (図11)。

AirSealアクセスポートは、以下の2つを利用することができます。

1. ブレードレス・オプティカルチップ・アクセスポート (図2~3)
2. プラントチップ・アクセスポート (図4)

どちらかのブレードレス・オプティカルチップ・アクセスポートを主な挿入口として使用する場合は、腹腔内に安全に挿入し視認できるように腹腔鏡を使用することを推奨します。

AirSealチューブセットは、以下の3つを利用することができます。

1. 活性炭化木炭フィルタ付きの三股式内腔フィルタのチューブセット (図6)
2. 活性炭化木炭フィルタ付きの二股式Evacチューブセット (図7)
3. 単孔式フィルタのチューブセット (図8)

AirSeal iFSで選択したモードに基づいた適切なチューブセットが使用されていることを確認してください。誤ったチューブセットを挿入した場合、選択したAirSeal iFSモードは実行されず、警告メッセージが表示されます。

フィルタのチューブセットは、液体を取り込むことを前提に設計されてはいません。フィルタに液体が入ると、AirSeal iFSのタッチスクリーン画面に警告メッセージが表示されます。その場合、カニューレの位置を確認し、チューブセット交換の準備をしてください。

### 警告:

- 使用方法に適切に従わない場合は、重篤な外科手術上の影響をもたらすおそれがあります。
- AirSealシステムの構成部品は腹腔鏡手術の知識、経験があり、訓練を受けた有資格の医師のみが使用してください。
- 本使用方法は外科手術手技または腹腔鏡手順について説明、指示するものではありません。本品を使用して実施する手技の種類を適切に決定し、各々の患者に適した手術手技を決定するのは手技を行う医師の責任です。
- 有効期限が切れる前に使用し、かつ包装が未開封および損傷していない場合に限り、AirSealシステムに同梱されている構成部品の無菌性が維持されています。使用の期限を過ぎた製品または包装の開封または破損がある場合は使用しないでください。
- 単回使用のAirSealシステム器具 (アクセスポートおよびチューブセット) はすべて単一患者への使用を目的として包装、滅菌されています。再使用、再処理または再滅菌は行わないでください。再使用、再処理または再滅菌を行うと、デバイスの構造的完全性が損なわれデバイスの不具合に至る可能性があり、それにより患者に障害、疾病または死亡を招くおそれがあります。また、単回使用デバイスの再処理または再滅菌は汚染、および/または感染や交差感染のみならず他の患者に対する二次感染のリスクをもたらす可能性があります。デバイスの汚染により患者に障害、疾病または死亡を招くおそれがあります。
- カニューレの先端を洗浄剤や体液に浸漬しないでください。
- 冷却ペントの両側や操作コンソールの底部が塞がれていると、AirSeal iFSアラームが鳴ります。アラームが鳴った場合は、冷却ペントが塞がれていないかチェックしてください。
- このような状態が認められずアラームが鳴り続けている場合は、AirSeal iFSの使用を中止し、修理のためメーカーに返却してください。

### 注意事項:

- 気腹により、静脈血流量の低下、心拍量の減少、腎機能の低下、頭蓋内圧の上昇、気道抵抗の増大および肺コンプライアンスの低下などの生理的副作用が出現することが分かっています。
- 低侵襲性手技を行うのは、低侵襲性手術手技の十分な訓練、経験、関連技術を有する要員のみでなければなりません。低侵襲性手技を行う前に、手術手技、合併症およびハザードに関する医学文献を参照してください。
- レーザー手術、電気手術および超音波手術に関わる原理や手技を完全に理解することは、患者および医療従事者のどちらにおいてもショックや熱傷に対するハザードおよび装置やその他の医療機器に対する損傷を回避する上で重要です。電気絶縁または接地が損傷を受けていないことを確認してください。
- 以下の状況下では空気混入を招く可能性があります:
  - 腹部にへの外部からの強力な圧力
  - 所定位置にあるポートまたは切開部からの著しい持続的漏気
  - 著しい持続的吸気
- 上述のような状況の場合、一時的に吸気ガスが空気に置換され、CO<sub>2</sub>により同位空気が置換されます。
- 結腸および直腸手順においては、送気圧力が15 mm Hgを超えないことが推奨されます。
- CO<sub>2</sub>ガスによる送気圧力が高い場合 (> 15 mm Hg)、高炭酸ガス血症、皮下気腫、気縦隔、気胸、陰嚢内気腫、および尿閉のリスクが増大する可能性があります。
- オプションのサウンドキャップ (8 mm、12 mm) を使用する場合、以下に注意してください。
  - 使用する前に、サウンドキャップのフォームとシール部分を確認すること
  - 使用後は、サウンドキャップに物理的損傷がないかを確認すること
- AirSealアクセスポートを挿入中は、細心の注意を払ってください。本品を正しく使用しないと、内臓や血管に致命的な損傷が生じる可能性があります。
  - 腹腔または直腸内に十分に送気されていることを確認すること
  - 挿入部位と臓器が離れた位置になるように、必ず患者に適切な体位を取らせること
  - AirSealアクセスポートの先端を重要な血管や臓器に向けないこと
  - AirSealアクセスポートの外壁が組織のみに接触し、他の器具や骨などの硬い表面に挟まれたり、ぶつかったりしないよう注意してください。硬い表面に長時間または突然接触すると、アクセスポートが損傷または破損するおそれがあります。
  - 下方に過度の力を掛けないこと
- AirSealアクセスポートには外科手術器具のみを挿入してください。AirSealアクセスポートにトロッカーやロボット器具を挿入しないでください。不適切な使用は、アクセスポートの損傷または破損の原因となる場合があります。
- ブレードレス・オプティカルチップ・アクセスポートの設計上の特長は、下にある解剖構造に対し、貫通による損傷を与える可能性を最小限にすることを目的としています。しかし、このような挿入を行う際は必ず標準的な予防策を順守しなければなりません。

- ・ ブレードレス・オプティカルチップ・アクセスポートの先端は「ブレードレス(刃がない)」ですが、主要な血管やその他の解剖学的構造(腸や腸間膜など)の損傷を防止するため、このような器具を使用する際と同様に細心の注意が必要です。そのような負傷のリスクを最小限に抑えるため、以下を確認してください。
  - 腹腔内または結腸内に十分送気すること
  - 本品挿入ラインから臓器が離れるように患者に適切な体位を取らせること
  - 重要な解剖学的指標に注意すること
  - AirSealアクセスポートの先端を主要な血管や構造に向けないこと
  - 過剰なまたは制御不能な負荷を掛けないこと
  - 可能な限り視認できるような挿入手段を用いること
- ・ 先端部が貫通後、ほとんど抵抗なく挿入されます。過度の力は、下にある解剖構造に損傷を与えるおそれがあります。
- ・ 内視鏡下で適切に挿入できたら、ブレードレス・オプティカルチップ・アクセスポートをさらに前進させないでください。この時点でアクセスポートを続けて導入すると、その下にある解剖構造に損傷を与えるおそれがあります。
- ・ 安全かつ適切に挿入できたら、AirSealアクセスポートを気腹のために使用している間は、常にAirSealアクセスポートの遠位端にある黒線が腔内に見えていることを確認してください。
- ・ 初期の部位が確立され、推奨腹腔内圧(通常は12~18 mmHg)に到達するまでは、2つ目のトロッカーを挿入しないでください。
- ・ カニューレを腹腔または胸腔から抜去後、カニューレ挿入口から出血がないことを必ず確認してください。出血が認められる場合は、止血処置を行ってください。
- ・ 活性化木炭フィルタ付きの三股式内腔フィルタのチューブセットおよび活性化木炭フィルタ付きの二股式Evacチューブセットには、液体センサが装備されており、フィルタの体液レベルをモニターし、デバイスの汚染の可能性を警告します。フィルタハウジングの体液閉じ込め弁の体液レベルがLow(低)の容量になった場合、タッチスクリーン画面に警告メッセージが表示され、音声による信号が発せられます。カニューレおよびチューブの位置を点検し、液体がそれ以上フィルターに入らないよう注意する必要があります。この時点で、オブチュレータをAirSealのアクセスポートに再度挿入し、フィルタのチューブセットを変更します。
- ・ 体液と接触する器具や装置は、生物学的汚染を防ぐため特別な廃棄が必要な場合があります。

## 禁忌

本品は低侵襲内視鏡下手術が禁忌となっている患者には使用しないでください。

**重要:** 本添付文書は使用方法を説明することを目的としています。トロッカーの挿入術に関する参考資料もしくはガイドではありません。組織層を認識し鑑別すると、気腹後にブレードレス・オプティカルチップ・トロッカーを一次ポートとしてうまく使用することができます。したがって、初めて使用する場合は組織層を視認する経験や手技の能力を得るために、気腹後にオプティカルチップ・トロッカーを二次ポートとして使用した方が良いでしょう。上記の手技を習得した場合に限り、気腹後にオプティカルチップ・トロッカーを一次ポートとして使用するべきです。

**注記:** 無菌提供の前に、滅菌バリアシステムを目視検査して、パッケージに無菌性に影響するおそれのある異常がないことを確認してください。滅菌バリアシステムに異常があった場合は、使用しないでください。

## 使用方法

**AirSealモードでのAirSealアクセスポートの一般的な使用方法:**

**注記: 特定のソフトウェアの改訂に関連する機能については、IFSの取扱説明書を参照してください。**

1. 電源スイッチを押し、本品の電源をオンにします(図1, A)。
2. AirSeal IFSのレバーを上上げる、すなわちUNLOCK(アンロック)の位置にします(図1, D)。
3. 初期セルフテストを終了してから、三股式内腔フィルタのチューブセットを挿入します。
4. 無菌操作にて、三孔式チューブセットを包装から取り出します。損傷するおそれがあるため、滅菌野にデバイスを乱暴に投げ出さないでください。
5. 三孔式チューブセットのフィルターハウジングをAirSeal IFSの前面にあるレセプタブルに挿入します(図1, C)。
6. レバーをLOCK(ロック)の位置に押し下げます(図9)。AirSealモードが自動的に起動します。  
注: AirSeal小児モードが有効になったら、成人または小児用のAirSealモードを選択するよう指示するメッセージが表示されます。Pediatric AirSeal mode(小児用のAirSealモード)の詳細については、AirSeal IFSの取扱説明書を参照してください。
7. AirSeal IFSのタッチスクリーン画面で、ガスの供給レベルが十分であることを確認します(図1, B)。
8. 患者に合ったガス流量と圧力の設定を選択します。患者の設定を確認するには、「Confirm(確認)」を押してください。

**ベレシュ針によるブレードレス・オプティカルチップ・アクセスポートの挿入方法については以下の操作方法を参照してください。プラントチップ(ハッサン式)の腹腔挿入術には本手技を行わないでください。ベレシュ針を使用せず挿入する場合は、ステップに進みます。**

- ・ 単孔式アダプターは、活性化木炭フィルタ付きの三股式内腔フィルタのチューブセットに予め取り付けられています。
- ・ 単孔式アダプターをベレシュ針Luerポートに接続し、メーカーの取扱説明書に従って挿入します。
- ・ AirSeal IFSタッチスクリーン画面で意図する流量とガス圧を設定します。
- ・ AirSeal IFSタッチスクリーン画面にある「Start(開始)」を押して、初期気腹を開始します。
- ・ 初期気腹を実行後、単孔式アダプターから活性化木炭フィルタ付きの三股式内腔フィルタのチューブセットを取り外します。
- ・ ベレシュ針を抜去します。

**AirSealアクセスポートが最初に取り付けたトロッカーでない場合、単孔式アダプターを活性化木炭フィルタ付きの三股式内腔フィルタのチューブセットと接続したままにし、単孔式アダプターを最初に取り付けた通常のトロッカーのLuerポートに切り替えます。AirSealアクセスポートが挿入されている単孔式アダプターのみを取り外してください。**

9. 無菌操作にて、AirSealアクセスポートとオプションのサウンドキャップ(8 mm, 12 mm)をパッケージから取り出します。損傷するおそれがあるため、滅菌野にデバイスを乱暴に投げ出さないでください。
10. AirSealアクセスポート(オブチュレータとカニューレ)は予め取り付けられた状態であり、組立の必要はありません。注: アクセスポートを組み立てる必要がある場合は、オブチュレータをカニューレ内にロックがかかるまで挿入します。
11. オブチュレータとカニューレが正しく組み立てられていることを確認します。注: プラントチップ・アクセスポートを使用している場合は、スプリングアンカーも所定の位置であることを確認すること(図4, D)。
12. 標準的な手術手技にて皮膚切開を行います。(注: 皮膚切開はカニューレの直径に適合させる必要があります。皮膚切開が不十分な場合は、本品挿入時の抵抗が増すためより大きな挿入力が必要となり、その結果、意図した部位に挿入できなくなるおそれがあります。)

**組み立てられたアクセスポートは挿入できます。プラントチップ・アクセスポートを使用する場合は、適切な腹腔鏡手技(ハッサン式挿入)で行ってください。**

13. アクセスポートアセンブリを30~90度の間で回転させながら、皮膚切開部に導入します。ハンドルに持続的だが過度にならないよう下方に負荷をかけます。
14. アクセスポートが適切に挿入されていることを確認してください。この時点でカニューレからオブチュレータを抜かないでください。**注:**プラントチップ・アクセスポートを使用する場合、スプリングアンカーは通常の方法にて、患者の腹腔に縫合糸で固定する必要があります。
15. AirSealアクセスポートを気腹のために使用している間は、常にAirSealアクセスポートの遠位端にある黒線が腹腔または胸腔内に見えていることを確認してください。
16. AirSealアクセスポートにあるカニューレの側面からマニホールドプラグを取り外し、カニューレのマニホールドに活性化木炭フィルタ付きの三股式内腔フィルタのチューブセットの先端を接続し、しっかりと締めます。**注記:**AirSealチューブセットとアクセスポートが適切に締め付けられていない場合、装置の圧力測定値が患者の体感圧力を反映していない可能性があります。チューブセットブルズアイコネクターにある白いフィンのひとつが、アクセスポートの上部に直接合っている場合は、確実な接続が目で確認できます(図15)。チューブセットを接続した状態でアクセスポートのブルズアイを直視すると、チューブセットのコネクター部分のフィンの一つが、アクセスポートに対して垂直になっているはず(図16)。
17. AirSealは自動的に有効になります。音声の流れ、緑色の「AirSeal active (AirSealが有効)」というメッセージが表示されるまで、オブチュレータをそのままにしておきます。
18. オブチュレータのラッチボタンを強く押すことで2つのデバイスのロックを解除し、オブチュレータをカニューレから抜きます。**注:**プラントチップ・アクセスポートにはラッチボタンが付いていないため、オブチュレータをカニューレからまっすぐ引っ張ると抜かすことができます。
19. AirSealモードが作動し、AirSealカニューレからオブチュレータを抜いたら、流量は自動的に確立されます。**注:**排煙のレベルは、High(高)またはLow(低)に設定することができます。
20. 必要に応じて、この時点でオプションのサウンドキャップ(8mm、12mm)をカニューレに取り付けます。**(注:**オプションのサウンドキャップを使用する場合、カニューレに尖ったデバイスや大きなデバイスを挿入する際には十分注意してください。オプションのサウンドキャップは、この手順中いつでもカニューレから取り外すことができ、カニューレに尖った物体や大きな物体を挿入する前に取り外す必要があります。)
21. 本手順が終了したら、タッチスクリーン画面のSTOP(停止)ボタンを押し、AirSealの送気を停止します**(注:**これにより気腹が喪失します)。標準的な腹腔鏡手術にてすべての手術器具を取り外し、通常の方法で適切なポート部位を閉じます。**注:**手順が完了すると、AirSealモードは停止する前に最終キャリブレーションを行います。この処理の間、圧力の上昇や気腹は起こりません。最終キャリブレーションが終了したら、活性化木炭フィルタ付きの三股式内腔フィルタのチューブセットを取り外すか、ifsの電源を切ります。
22. AirSeal ifsのレバーを上、すなわちUNLOCK(アンロック)の位置に動かします。
23. AirSeal ifsチューブセットのレセプタクルから活性化木炭フィルタ付きの三股式内腔フィルタのチューブセットを取り外します。
24. 起動中に機能テストが実施されるため、手術前には毎回電源を入れ直してください(切入)。

**ブレードレス・オプティカルチップ・アクセスポートと内視鏡との併用使用における挿入方法の詳細は以下の説明を参照してください。**

**注記:特定のソフトウェアの改訂に関連する機能については、ifsの取扱説明書を参照してください。**

1. メーカーの取扱説明書に記載されているとおりに0度内視鏡を光源装置とモニターに接続します。内視鏡が正確に接続されていることを確認し、モニターの像がはっきりしていることを確認します。
2. 内視鏡をブレードレス・オプティカルチップ・アクセスポートの近位端の挿入口から入れ、アクセスポートの最先端に達するまで挿入します。(内視鏡の挿入;図12)。
3. 必要に応じて内視鏡を回転させます。(内視鏡の挿入;図13)。
4. モニターに鮮明な画像を映すために内視鏡をブレードレス・オプティカルチップ・アクセスポートのハンドルに挿入し、適切な柔らかい表面にオプティカルチップを接触させ、カメラのフォーカスを合わせます。
5. 標準的な手術手技にて皮膚切開を行います。**(注:**皮膚切開はカニューレの直径に適合させる必要があります。皮膚切開が不十分な場合は、本品挿入時の抵抗が増すためより大きな挿入力が必要となり、その結果、意図した部位に挿入できなくなるおそれがあります。)アクセスポートアセンブリを30~90度の間で回転させながら、皮膚切開部に導入します。ハンドルに持続的だが過度にならないよう下方に負荷をかけます。
6. アクセスポートを挿入中、内視鏡を用いてそれぞれの組織層でアクセスポートの穿孔を確認します。各組織面は、アクセスポートの前進に伴って表示されます。
7. ブレードレス・オプティカルチップ・アクセスポートから内視鏡を取り出します(内視鏡の取外し;図14)。
8. 前述のステップ13から開始し、説明書に従って手順を続けます。

## 使用方法

### 経肛門によるAirSealモードでのAirSealアクセスポートの使用方法:

**注記:特定のソフトウェアの改訂に関連する機能については、ifsの取扱説明書を参照してください。**

1. 電源スイッチを押し、本品の電源をオンにします(図1、A)。
2. AirSeal ifsのレバーを上上げる、すなわちUNLOCK(アンロック)の位置にします(図1、D)。
3. 初期セルフテストを終了してから、三股式内腔フィルタのチューブセットを挿入します。
4. 無菌操作にて、三孔式チューブセットを包装から取り出します。損傷するおそれがあるため、滅菌野にデバイスを乱暴に投げ出さないでください。
5. 三孔式チューブセットのフィルタハウジングをAirSeal ifsの前面にあるレセプタクルに挿入します(図1、C)。
6. レバーをLOCK(ロック)の位置に押し下げます(図9)。AirSealモードが自動的に起動します。**注:**AirSeal小児モードが有効になったら、成人または小児用のAirSealモードを選択するよう指示するメッセージが表示されます。Pediatric AirSeal mode(小児用のAirSealモード)の詳細については、AirSeal ifsの取扱説明書を参照してください。
7. AirSeal ifsのタッチスクリーン画面で、ガスの供給レベルが十分であるかを確認します(図1、B)。
8. 患者に合ったガス流量と圧力の設定を選択します。患者の設定を確認するには、「Confirm(確認)」を押してください。
9. 無菌操作にて、AirSealアクセスポートとオプションのサウンドキャップ(8mm、12mm)をパッケージから取り出します。損傷するおそれがあるため、滅菌野にデバイスを乱暴に投げ出さないでください。
10. AirSealアクセスポート(オブチュレータとカニューレ)は予め取り付けられた状態で包装されており、組立の必要はありません。**注:**アクセスポートを組み立てる必要がある場合は、オブチュレータをカニューレ内にロックがかかるまで挿入します。
11. オブチュレータとカニューレが正しく組み立てられていることを確認します。
12. 適宜に挿入する場合、ご使用の経肛門アクセスポートフォーム器具のメーカーの取扱説明書に従ってください。
13. 適切な内腔またはカニューレを通し、アクセスポートを経肛門アクセスポートプラットフォーム器具に挿入します。アクセスポートを経肛門アクセスポートプラットフォーム器具に挿入したら、30~90度の間で回転させながら導入します。アクセスポートが経肛門アクセスポートプラットフォーム器具にしっかりと挿入されるまで、過度にならないよう軸方向に持続的に負荷をかけます。
14. オブチュレータとカニューレが適切に挿入されていることを確認します。この時点でカニューレアセンブリからオブチュレータを抜かないでください。
15. AirSealアクセスポートにあるカニューレの側面からマニホールドプラグを取り外し、カニューレのマニホールドに活性化木炭フィルタ付きの三股式内腔フィルタのチューブセットの先端を接続し、しっかりと締めます。**注記:**AirSealチューブセットとアクセスポートが適切に締め付けられていない場合、装置の圧力測定値が患者の体感圧力を反映していない可能性があります。チューブセットブルズアイコネクターにある白いフィンのひとつが、アクセスポートの上部に直接合っている場合は、確実な接続が目で確認できます(図15)。チューブセットを接続した状

態でアクセスポートのブルズアイを直視すると、チューブセットのコネクター部分のフィンの一つが、アクセスポートに対して垂直になっているはずですが(図16)。

- AirSealは自動的に有効になります。音声流れ、緑色の「AirSeal active (AirSealが有効)」というメッセージが表示されるまで、オブチュレータをそのまましておきます。
- オブチュレータのラッチボタンを強く押すことで2つのデバイスのロックを解除し、オブチュレータをカニューレから抜去します。
- AirSealモードが作動し、AirSealカニューレからオブチュレータを抜去したら、流量は自動的に確立されます。  
**注:**排煙のレベルは、High (高) または Low (低) に設定することができます。
- 必要に応じて、この時点でオプションのサウンドキャップ (8 mm, 12 mm) をカニューレに取り付けます。(注: オプションのサウンドキャップを使用する場合、カニューレに突いたデバイスや大きなデバイスを挿入する際には十分注意してください。オプションのサウンドキャップは、この手順中いつでもカニューレから取り外すことができ、カニューレに突いた物体や大きな物体を挿入する前に取り外す必要があります。)
- 本手順が終了したら、タッチスクリーン画面のSTOP (停止) ボタンを押し、AirSealの送気を停止します(注: これにより気腹が喪失します)。標準的な腹腔鏡手術にてすべての手術器具を取り外し、通常の方法で適切なポート部位を閉じます。  
**注:**手順が完了すると、AirSealモードは停止する前に最終キャリブレーションを行います。この処理の間、圧力の上昇や気腹は起こりません。最終キャリブレーションが終了したら、活性化木炭フィルタ付きの三股式内腔フィルタのチューブセットを取り外すか、iFSの電源を切ります。
- AirSeal iFSのレバーを上、すなわちUNLOCK (アンロック) の位置に動かします。
- AirSeal iFSチューブセットのレセプタクルから活性化木炭フィルタ付きの三股式内腔フィルタのチューブセットを取り外します。
- 起動中に機能テストが実施されるため、手術前には毎回電源を入れ直してください(切/入)。

#### 排煙および標準気腹モードの一般的な使用方法:

##### バレルシュ針による初期気腹

**注記: 特定のソフトウェアの改訂に関連する機能については、iFSの取扱説明書を参照してください。**

- 電源スイッチを押して、本品の電源をオンにします(図1, A)。
- 診断のセルフトテスト終了後、AirSeal iFSのタッチスクリーン画面に表示されるモード選択リストからSmoke Evacuation Mode (排煙モード) またはStandard Insufflation Mode (標準気腹モード) を選択します(図1, B)。
- AirSeal iFSのタッチスクリーン画面で、ガスの供給レベルが十分であることを確認します(図1, B)。
- 適切なチューブセットをAirSeal iFSに接続します(活性化木炭フィルタ付きの二股式Evacチューブセットの接続については、以下の説明を参照)。  
**注:**単孔式チューブセットは、他のチューブセットと異なり、AirSeal iFS前面の気腹チューブ接続ポストに接続すること。
- チューブセットのLuerロックコネクタを通常の方法にてバレルシュ針の先端、またはトロッカーに接続します。(活性化木炭フィルタ付きの二股式Evacチューブセットの接続については、以下の説明を参照)。
- AirSeal iFSタッチスクリーン画面で意図する流量とガス圧を設定します。患者の設定を確認するには、「Confirm (確認)」を押してください。
- AirSeal iFSタッチスクリーンにある「Start (開始)」ボタンを押して初期気腹を開始します。
- 初期気腹実行後、標準Luerポートを備えたトロッカーを挿入します。
- 本手順が終了したら、タッチスクリーン画面のSTOP (停止) ボタンを押して、送気を停止します(注: これにより気腹が喪失します)。標準的な腹腔鏡手術にてすべての手術器具を取り外し、通常の方法で適切なポート部位を閉じます。
- AirSeal iFSからチューブセットを取り外します(活性化木炭フィルタ付きの二股式Evacチューブセットの取り外しについては、以下の説明を参照)。
- 起動中に機能テストが実施されるため、手術前には毎回電源を入れ直してください(切/入)。

#### 活性化木炭フィルタ付きの二股式Evacチューブセットの詳細は以下の説明を参照してください

##### 標準Luerポートを備えたトロッカー2つと活性化木炭フィルタ付きの二股式Evacチューブセットとの併用使用方法

透明のチューブ: 気腹

青いチューブ: Smoke Evacuation

##### 活性化木炭フィルタ付きの二股式Evacチューブセットの取り付け

**注記: 特定のソフトウェアの改訂に関連する機能については、iFSの取扱説明書を参照してください。**

- AirSeal iFSのレバーを上、すなわちUNLOCK (アンロック) の位置にします(図1, D)。
- 活性化木炭フィルタ付きの二股式EvacチューブセットのフィルターハウジングをAirSeal iFS前面のチューブセットのレセプタクルに挿入します(図1, C)。
- レバーをLOCK (ロック) の位置に押し下げます。
- 活性化木炭フィルタ付きの二股式Evacチューブセットの透明のチューブのLuerロックコネクタをバレルシュ針に取り付けます。
- AirSeal iFSタッチスクリーン画面で意図する流量とガス圧を設定します。患者の設定を確認するには、「Confirm (確認)」を押してください。
- AirSeal iFSタッチスクリーンにある「Start (開始)」ボタンを押して初期気腹を開始します。
- カニューレが適切に挿入されていることを確認してください。
- バレルシュ針を取り外し、活性化木炭フィルタ付きの二股式Evacチューブセットから外します。
- 活性化木炭フィルタ付きの二股式Evacチューブセットの透明のチューブのLuerロックコネクタをカニューレに接続します。流入弁/栓を開きます。
- AirSeal iFSタッチスクリーン画面の指示に従います。指示が出たら、活性化木炭フィルタ付きの二股式Evacチューブセットの青いチューブのLuerロックコネクタを別のカニューレに接続します。気腹は作動したままです。
- 活性化木炭フィルタ付きの二股式Evacチューブセットの青いチューブのLuerロックコネクタが2番目のカニューレに接続されたら、排煙が作動します。

**重大インシデント**-本機器の使用に伴う重大インシデントが発生した場合は、CONMEDカスタマーサービス部門またはお近くのCONMED販売代理店にただちに報告ください。Eメール: CustomerExperience@CONMED.com

##### 活性化木炭フィルタ付きの二股式Evacチューブセットの取り外し

**注記: 特定のソフトウェアの改訂に関連する機能については、iFSの取扱説明書を参照してください。**

- 本手順が終了したら、タッチスクリーン画面のSTOP (停止) ボタンを押し、送気を停止します(注: これにより気腹が喪失します)。標準的な腹腔鏡手術にてすべての手術器具を取り外し、通常の方法で適切なポート部位を閉じます。
- AirSeal iFSのレバーを上、すなわちUNLOCK (アンロック) の位置に動かします。
- AirSeal iFSチューブセットのレセプタクルから活性化木炭フィルタ付きの二股式Evacチューブセットを取り外します。
- 起動中に機能テストが実施されるため、手術前には毎回電源を入れ直してください(切/入)。

#### 廃棄

本機器は地域の病院の要件に従って廃棄してください。

## 供給形態

AirSeal オプティカルアクセスポート、AirSeal 薄型アクセスポート、オプションのサウンドキャップ (8 mm、12 mm)、AirSeal ブラント チップアクセスポート、AirSeal カニューレ、活性化木炭フィルタ付きの二股式 Evac チューブセット、活性化木炭フィルタ付きの三股式内腔フィルタのチューブセット、単孔式チューブセット、AirSeal 単孔式アダプターは、単一患者への使用を目的としてガンマ線によって滅菌されています。使用後は廃棄してください。AirSeal アクセスポート、サウンドキャップ、チューブセットは天然ゴムラテックス製ではありません。

AirSeal IFS は非滅菌で、再利用可能です。

AirSeal® は、CONMED Corporation の登録商標です。

**重要:** (米国) 連邦法により、本デバイスは医師の注文がなければ販売できません。

## POLISH

System **AirSeal®** IFS

Port dostępu **AirSeal®**

Trokarzy z końcówką optyczną bezostrzową, niskoprofilową końcówką optyczną bezostrzową, końcówką optyczną bezostrzową Palm Grip i tępo zakończonymi portami dostępu

Zestawy filtrowanych przewodów **AirSeal®**

Zestaw filtrowanych przewodów trójkanałowych z filtrem z węglem aktywowanym, zestaw rozgałęzionych przewodów z filtrem z węglem aktywowanym do odprowadzania dymu, zestaw filtrowanych przewodów jednocanałowych

### Widok schematyczny: ilustracje i nazewnictwo

<p><b>AirSeal IFS (rys. 1)</b></p> <p>A. Przełącznik ON/OFF (WL./WYL.)</p> <p>B. Wyświetlacz ekranu dotykowego</p> <p>C. Gniazdo do trybów AirSeal i odprowadzania dymu</p> <p>D. Dźwignia do blokowania zestawu przewodów na miejscu</p> <p>E. Połączenie przewodów wdmuchiwanego powietrza do standardowego trybu wdmuchiwania</p> <p><b>Bezostrzowe porty dostępu (rys. 2/3)</b></p> <p>A. Zatyczka rozgałęzienia</p> <p>B. Kaniuła</p> <p>C. Obturator z optyczną końcówką bezostrzową</p> <p>D. Zapadka kaniuli</p> <p><b>Porty dostępu z tępo zakończoną końcówką (rys. 4)</b></p> <p>A. Zatyczka rozgałęzienia</p> <p>B. Kaniuła</p> <p>C. Obturator z tępo zakończoną końcówką</p> <p>D. Sprężynowa kotwiczka — przyrząd do kotwiczenia wiązanych szwów</p> <p><b>Opcjonalna zatyczka tłumiąca (rys. 5)</b></p>	<p><b>Zestawy przewodów (rys. 6/7/8)</b></p> <p>A. Filtrowany</p> <p>B. Przewód o długości 8–10 stóp (2,44–3,05 m)</p> <p>C. Mocowanie złącza typu Luer</p> <p>D. Zestaw łączników jednocanałowych</p> <p>E. Pierścień</p> <p><b>Tryb AirSeal (rys. 9)</b></p> <p><b>Tryb odprowadzania dymu (rys. 10)</b></p> <p><b>Standardowy tryb wdmuchiwania (rys. 11)</b></p> <p><b>Wprowadzanie endoskopu (rys. 12)</b></p> <p>A. Port dostępu AirSeal</p> <p>B. Endoskop o odpowiednim rozmiarze</p> <p><b>Wprowadzanie endoskopu (rys. 13)</b></p> <p>A. Ruch obrotowy podczas wprowadzania umożliwi wprowadzenie przyrządu z użyciem mniejszej siły</p> <p><b>Wyjmowanie endoskopu (rys. 14)</b></p> <p>A. Wycofać endoskop</p> <p>B. Naciśnąć tutaj, aby zwolnić kaniulę</p> <p><b>Widok z góry portu dostępu AirSeal z poprawnym połączeniem z zestawem przewodów AirSeal (rys. 15)</b></p> <p>A. Zestaw przewodów zebra złącza typu bullseye</p> <p><b>Widok z przodu portu dostępu AirSeal z poprawnym połączeniem z zestawem przewodów AirSeal (rys. 16)</b></p> <p>A. Zestaw przewodów zebra złącza typu bullseye</p>
---	--

### WAŻNE! PRZED UŻYCIEM PRODUKTU NALEŻY DOKŁADNIE PRZEZCZYTAĆ PONIŻSZE INFORMACJE.

Celem niniejszej broszury jest ułatwienie używania niniejszego produktu. Broszura nie zawiera odniesień do technik chirurgicznych. Ponadto należy zapoznać się z pełnymi informacjami dotyczącymi systemu AirSeal IFS i wszystkich trybów działania podanymi w instrukcji obsługi systemu AirSeal IFS.

### WSKAZANIA DO STOSOWANIA:

System AirSeal® IFS firmy CONMED jest przeznaczony do użycia podczas endoskopowych zabiegów diagnostycznych i/lub terapeutycznych w celu wytworzenia jamy poprzez wypchnięcie jej gazem, aby zapewnić i utrzymać uszczelnioną jamę wolny dostęp do wprowadzenia przyrządów endoskopowych i odprowadzania dymów powstających podczas operacji. System jest wskazany w przypadku zabiegów przeprowadzanych w obrębie jamy brzusznej i klatki piersiowej oraz u dzieci, umożliwiając stosowanie różnych instrumentów torakoskopowych i laparoskopowych poprzez wypchnięcie jamy brzusznej lub klatki piersiowej gazem, jak również zapewnienie i utrzymanie uszczelnionego gazem swobodnego dostępu dla instrumentów oraz odsysanie dymów chirurgicznych. Może być on także wykorzystywany do insuflacji odbytnicy i okrężnicy w celu ułatwienia obserwacji podczas badania endoskopowego oraz diagnostyki i leczenia. Trokar systemu AirSeal® IFS jest przeznaczony do używania z wizualizacją lub bez niej.

### System AirSeal IFS ma trzy tryby działania:

1. Tryb **AirSeal** (rys. 9)
2. Tryb **odprowadzania dymu** (rys. 10)
3. **Standardowy tryb wdmuchiwania** (rys. 11)

### Tryb AirSeal:

W przypadku zastosowania w trybie AirSeal system AirSeal IFS służy do doprowadzania gazowego CO<sub>2</sub> w warunkach stabilnej odmy otrzewnowej i ciągłego odprowadzania dymu podczas laparoskopowych zabiegów chirurgicznych i wymaga zastosowania systemu AirSeal IFS, portu dostępu AirSeal oraz zestawu filtrowanych przewodów trójkanałowych z filtrem z węglem aktywowanym. Zestaw filtrowanych przewodów trójkanałowych z filtrem z węglem aktywowanym służy do podłączania portu dostępu AirSeal do systemu AirSeal IFS (rys. 9).

### Tryb odprowadzania dymu:

W przypadku zastosowania w trybie odprowadzania dymu system AirSeal IFS służy do doprowadzania gazowego CO<sub>2</sub> w warunkach ciągłego odprowadzania dymu podczas laparoskopowych zabiegów chirurgicznych i wymaga zastosowania systemu AirSeal IFS, dwóch standardowych trokarów (innych niż AirSeal) ze standardowymi portami typu Luer oraz zestawu rozgałęzionych przewodów z filtrem z węglem aktywowanym do odprowadzania dymu. Dwa standardowe trokary służy do podłączania zestawu rozgałęzionych przewodów z filtrem z węglem aktywowanym do odprowadzania dymu w celu umożliwienia podawania gazowego CO<sub>2</sub> drogą odprowadzania dymu. Zestaw rozgałęzionych przewodów z filtrem z węglem aktywowanym do odprowadzania dymu zawiera rozgałęzienie i służy do łączenia dwóch standardowych trokarów z systemem AirSeal IFS (rys. 10).

### Insuflacja standardowa:

W przypadku zastosowania w standardowym trybie wdmuchiwania system AirSeal IFS służy do doprowadzania gazowego CO<sub>2</sub> oraz standardowego wdmuchiwania podczas laparoskopowych zabiegów chirurgicznych w taki sam sposób, co dostępne na rynku insuflatory i wymaga zastosowania systemu AirSeal IFS z jednym standardowym trokarem (inny niż AirSeal) ze standardowym portem typu Luer i zestawu filtrowanych przewodów jednocanałowych. Port typu Luer na trokarze łączy się z zestawem filtrowanych przewodów jednocanałowych w celu zapewnienia standardowego wdmuchiwania oraz podawania gazowego CO<sub>2</sub>. Zestaw filtrowanych przewodów jednocanałowych łączy jeden standardowy trokar z systemem AirSeal IFS (rys. 11).

#### Port dostępu AirSeal ma dwie dostępne konfiguracje:

1. Port dostępu z optyczną końcówką bezostrzową (rys. 2 i 3)
2. Port dostępu z tępo zakończoną końcówką (rys. 4)

Jeśli którykolwiek z portów dostępu z optyczną końcówką bezostrzową jest używany do uzyskiwania wstępnego dostępu, zaleca się użycie laparoskopu zapewniającego wizualizację w celu zwiększenia bezpieczeństwa dostępu brzuszego.

#### Zestawy przewodów AirSeal mają trzy dostępne konfiguracje:

1. Zestaw filtrowanych przewodów trójkanałowych z filtrem z węglem aktywowanym (rys. 6)
2. Zestaw rozgałęzionych przewodów z filtrem z węglem aktywowanym do odprowadzania dymu (rys. 7)
3. Zestaw filtrowanych przewodów jednokanałowych (rys. 8)

Upewnić się, że używany jest odpowiedni zestaw przewodów na podstawie trybu wybranego w systemie AirSeal iFS. W przypadku wprowadzenia niewłaściwego zestawu przewodów wybrany tryb systemu AirSeal iFS nie będzie działał i pojawi się komunikat ostrzegawczy.

Zestawy filtrowanych przewodów nie są przeznaczone do odprowadzania płynów. Jeśli płyn dostanie się do filtra, na wyświetlaczu ekranu dotykowego systemu AirSeal iFS pojawi się komunikat ostrzegawczy. W takim wypadku należy sprawdzić umiejscowienie kaniuli i przygotować się do wymiany zestawu przewodów.

#### OSTRZEŻENIA:

- Nieprzestrzeganie instrukcji użycia może prowadzić do poważnych konsekwencji chirurgicznych.
- Wyłącznie lekarze z odpowiednim przygotowaniem, posiadający wiedzę, doświadczenie i przeszkolenie w zakresie technik laparoskopowych mogą używać elementów składowych systemu AirSeal.
- Niniejsza instrukcja użycia nie obejmuje opisów ani instrukcji postępowania dotyczących technik chirurgicznych i zabiegów laparoskopowych. Lekarz wykonujący zabieg odpowiada za określenie stosowności typu zabiegu, który ma być przeprowadzony z użyciem tych produktów, oraz za wybranie techniki, która ma być zastosowana u danego pacjenta.
- Zakończony element składowy systemu AirSeal są jałowe wyłącznie, jeśli zostaną użyte przed upływem terminu ważności oraz jeśli opakowanie nie było otwierane lub uszkodzone. NIE używać po upływie terminu ważności lub gdy opakowanie jest otwarte lub uszkodzone.
- Wszystkie jednorazowe przyrządy systemu AirSeal (porty dostępu i zestawy przewodów) są pakowane i sterylizowane wyłącznie do jednorazowego użycia. Nie używać ponownie, nie przetwarzać i nie sterylizować ponownie. Ponowne użycie, przetworzenie lub sterylizacja może pogorszyć wytrzymałość konstrukcyjną wyrobu i/lub spowodować uszkodzenie wyrobu, co w konsekwencji może spowodować obrażenia, chorobę lub zgon pacjenta. Przetworzenie lub ponowna sterylizacja wyrobów jednorazowych może powodować ryzyko skażenia wyrobu i/lub spowodować zakażenie pacjenta lub zakażenie krzyżowe obejmujące między innymi przeniesienie chorób zakaźnych z pacjenta na pacjenta. Skażenie wyrobu może prowadzić do obrażeń, choroby lub zgonu pacjenta.
- Nie wolno zanurzać końcówek kaniuli w płynach do irygacji lub płynach ustrojowych.
- Alarm systemu AirSeal iFS włączy się, jeśli otwory wentylacyjne na bokach lub na spodzie konsoli sterowania zostaną zablokowane. Jeśli słychać sygnał alarmu, należy sprawdzić, czy otwory wentylacyjne nie są zablokowane.
- Jeśli powyższy stan NIE występuje, a dźwięk alarmowy nadal jest emitowany, należy przerwać używanie systemu AirSeal iFS i odesłać go do producenta w celu przeglądu.

#### ŚRODKI OSTROŻNOŚCI:

- Wytworzenie odmy otrzewnowej ma znane fizjologiczne działania niepożądane obejmujące m.in. obniżony powrót żyliny, zmniejszoną pojemność minutową serca, obniżenie czynności nerek, zwiększone ciśnienie śródczaszkowe, zwiększony opór w drogach oddechowych i zmniejszoną podatność płuc.
- Małoinwazyjne zabiegi mogą wykonywać wyłącznie osoby posiadające odpowiednie przeszkolenie, doświadczenie i odpowiednią wiedzę w zakresie stosowania małoinwazyjnych technik chirurgicznych. Przed wykonaniem jakichkolwiek małoinwazyjnych zabiegów należy zapoznać się z literaturą medyczną dotyczącą technik, powikłań i zagrożeń.
- Dokładna znajomość zasad i technik związanych z zabiegami laserowymi, elektrochirurgicznymi i ultradźwiękowymi jest niezbędna w celu uniknięcia zagrożeń porażenia prądem i oparzeń zarówno pacjenta, jak i personelu medycznego oraz uszkodzeń wyrobu i innych instrumentów medycznych. Upewnić się, że ani izolacja elektryczna, ani uziemienie nie zostały uszkodzone.
- Możliwość wnikania powietrza istnieje w następujących sytuacjach:
  - duży nacisk wywierany zewnętrznie na brzuch,
  - znaczna i długotrwała nieszczelność przy innych używanych tradycyjnych portach dostępu lub otwartych nacięciach,
  - silne i długotrwałe odsysanie.
- W sytuacjach opisanych powyżej wypieranie wdmuchiwanego gazu przez powietrze jest tymczasowe, a powietrze zostanie wyparte przez CO<sub>2</sub>.
- W zabiegach odybitycy i okrężnicy zaleca się nie stosować ciśnienia wdmuchiwania wynoszącego > 15 mm Hg.
- Wyższe ciśnienie wdmuchiwania (> 15 mm Hg) dwutlenku węgla może zwiększyć ryzyko wystąpienia podwyższonego stężenia dwutlenku węgla we krwi, podkórnej ropnej płuc, odmy osierdża, odmy opłucnowej, odmy moczynowej lub zatrzymania moczu.
- W przypadku stosowania opcjonalnej zatyczki tłumiącej (8 mm, 12 mm):
  - Przed użyciem skontrolować podkładkę piankową i uszczelkę zatyczki tłumiącej.
  - Po użyciu skontrolować zatyczkę tłumiącą pod kątem uszkodzeń fizycznych.
- Należy zachować szczególną ostrożność podczas wprowadzania portu dostępu AirSeal. Nieprawidłowe użycie tego produktu może spowodować zagrażające życiu obrażenia wewnętrznych narządów i naczyń.
  - Upewnić się, że wytworzono odpowiednią odmę otrzewnową lub odmę odybitycy.
  - Upewnić się, że pacjent jest w odpowiedniej pozycji, aby narządy znajdowały się z dala od miejsca umieszczenia portu dostępu.
  - Końcówkę portu dostępu AirSeal kierować z dala od dużych naczyń i narządów wewnętrznych.
  - Należy uważać, aby zewnętrzna ściana portu dostępu AirSeal stykała się wyłącznie z tkanką i nie była uwieczniona ani nie kolidowała z twardymi powierzchniami, takimi jak inne instrumenty lub kości. Długotrwały lub nagły kontakt z twardymi powierzchniami może spowodować uszkodzenie portu dostępu.
  - Nie wywierać nadmiernego nacisku.
- Przez port dostępu AirSeal należy przeprowadzać wyłącznie ręczne narzędzia chirurgiczne. NIE WOLNO wkładać trokarów ani instrumentów robotycznych do portu dostępu AirSeal. Niewłaściwe użytkowanie może spowodować uszkodzenie portu dostępu.
- Cechy konstrukcji portu dostępu z końcówką optyczną bezostrzową mają na celu minimalizację prawdopodobieństwa urazu w wyniku penetracji do niższych struktur anatomicznych. Jednak należy przestrzegać wszystkich standardowych środków bezpieczeństwa stosowanych podczas takiego wprowadzania.
- Mimo iż port dostępu z końcówką optyczną bezostrzową ma końcówkę „bezostrzową”, należy zachować ostrożność jak w przypadku wszystkich tego typu przyrządów, aby uniknąć uszkodzenia dużych naczyń krwionośnych i innych struktur anatomicznych (takich jak jelita lub krezka). W celu zminimalizowania ryzyka takich obrażeń należy pamiętać, aby:
  - wytworzyć odpowiednią odmę otrzewnową lub odmę odybitycy;
  - prawidłowo ułożyć pacjenta w celu ułatwienia wyparcia narządów z obszaru penetracji;
  - zwracać uwagę na ważne anatomiczne punkty orientacyjne;
  - kierować końcówkę portu dostępu AirSeal z dala od dużych naczyń i struktur wewnętrznych;
  - nie wywierać nadmiernej lub niekontrolowanej siły;
  - w miarę możliwości stosować optyczną technikę wejścia.
- Po uzyskaniu częściowego dostępu zakończenie uzyskiwania dostępu wymaga użycia niewielkiej siły. Użycie nadmiernej siły może spowodować uraz niższych struktur anatomicznych.
- Po uzyskaniu odpowiedniego dostępu metodą endoskopową port dostępu z optyczną końcówką bezostrzową nie powinien być przesuwany dalej w celu dodatkowej penetracji. Ciągłe wprowadzanie portu dostępu na tym etapie mogłoby spowodować uraz niższych struktur anatomicznych.
- Po wykonaniu bezpiecznego i właściwego wprowadzenia portu dostępu upewnić się, że czarna linia na końcówce dystalnej portu dostępu AirSeal jest widoczna w jamie przez cały czas, gdy port dostępu AirSeal jest używany do wdmuchiwania gazu.
- Nie podejmować próby wykonania dodatkowych nakłuć trokarem do czasu ustanowienia podstawowego miejsca dostępu i uzyskania zalecanego ciśnienia śródbrzusznego (zwykle 12–18 mm Hg).

- Po wyjęciu kaniuli z jamy brzusznej należy zawsze sprawdzać pole zabiegowe pod kątem hemostazy. W przypadku braku hemostazy należy zastosować odpowiednie techniki do osiągnięcia hemostazy.
- Zestaw filtrowanych przewodów trójkanałowych z filtrem z węglem aktywowanym, zestaw rozgałęzionych przewodów z filtrem z węglem aktywowanym do odprowadzania dymu są wyposażone w czujniki cieczy, umożliwiające monitorowanie poziomu cieczy w filtrach oraz ostrzeżenie użytkowników o możliwym zanieczyszczeniu przyrządu. Jeżeli zbiornik płynu obudowy filtra jest napełniony do poziomu płynu **Low** (Niski), na wyświetlaczu ekranu pojawi się komunikat ostrzegawczy i zostanie wyemitowany sygnał dźwiękowy. Sprawdź położenie kaniuli i drenu, aby nie było już możliwe przedostawanie się płynu do filtra. Na tym etapie należy ponownie wprowadzić obturator do portu dostępu AirSeal i wymienić zestaw filtrowanych przewodów.
- Instrumenty lub przyrządy, które miały kontakt z płynami ustrojowymi, mogą wymagać zastosowania specjalnych metod utylizacji, aby zapobiec skażeniu biologicznemu.

## PRZECIWWSKAZANIA

Użycie niniejszego systemu AirSeal IFS jest przeciwwskazane, jeśli istnieje przeciwwskazanie do stosowania małoinwazyjnych technik endoskopowych.

**WAŻNE:** Niniejsza ulotka zawiera instrukcję użycia. Ulotka nie zawiera odniesień ani instrukcji dotyczących technik wprowadzania trokara. Skuteczne użycie trokara z optyczną końcówką bezostrową jako podstawowego portu po wdmuchiwanym gazie zależy od rozpoznawania i rozróżniania poszczególnych warstw tkanek. Dlatego nowi użytkownicy powinni wykorzystywać trokary z końcówką optyczną jako dodatkowy port po wdmuchiwanym gazie w celu nabycia doświadczenia i pewności w zakresie wizualizacji warstw tkanek. Dopiero po uzyskaniu doświadczenia w zakresie powyższej techniki można używać trokarów z końcówką optyczną jako podstawowego portu po wdmuchiwanym gazie.

**Uwaga:** Sprawdź wzrokowo barierę(-y) sterylną(-e) pod kątem wszelkich problemów dotyczących opakowania, które mogłyby wpłynąć na sterylność przed dostarczeniem aseptycznym. Nie używać w przypadku stwierdzenia jakichkolwiek naruszeń systemu bariery sterylnej.

## INSTRUKCJA OBSŁUGI

### **Ogólna instrukcja użycia portu dostępu AirSeal w trybie AirSeal:**

**Uwaga: Opis funkcji powiązanych z konkretnymi wersjami oprogramowania można znaleźć w instrukcji obsługi systemu IFS.**

1. Włączyć system AirSeal IFS, naciskając przycisk ON/OFF (WL./WYL.) (rys. 1, A).
2. Dźwignia systemu AirSeal IFS powinna być ustawiona w pozycji górnej, tj. UNLOCK (odblokowana) (rys. 1, D).
3. Przed wprowadzeniem zestawu filtrowanych przewodów trójkanałowych z filtrem z węglem aktywowanym należy poczekać na zakończenie wstępnego autotestu.
4. Z zastosowaniem zasad sterylności wyjąć zestaw przewodów trójkanałowych z opakowania. Aby uniknąć uszkodzenia, nie odwracać przyrządu w polu sterylnym.
5. Wprowadzić obudowę filtra zestawu przewodów trójkanałowych do gniazda zestawu przewodów znajdującego się na przedniej części systemu AirSeal IFS (rys. 1, C).
6. Opuszczyć dźwignię w dół do pozycji LOCK (zablokowana) (rys. 9); nastąpi automatyczne włączenie trybu AirSeal.  
**Uwaga:** Jeśli aktywny jest tryb AirSeal Dzieci, zostanie wyświetlona prośba o wybór trybu AirSeal Dorosli lub Dzieci. Specyfikacje dotyczące trybu AirSeal Pediatric (Dzieci) podano w instrukcji obsługi systemu AirSeal IFS.
7. Sprawdź na wyświetlaczu ekranu dotykowego systemu AirSeal IFS, czy poziom dostępnego gazu jest wystarczający (rys. 1, B).
8. Wybrać żądane ustawienia przepływu i ciśnienia dla pacjenta. Nacisnąć przycisk „Confirm” (Potwierdź), aby potwierdzić ustawienia pacjenta.

**Poniżej podano dodatkowe instrukcje dla wprowadzania igły Veressa z portem dostępu z końcówką optyczną bezostrową. Ta technika nie jest stosowana w przypadku wprowadzania końcówki tępo zakończony (typu Hasson) do jamy brzusznej. Jeśli nie jest używana metoda wprowadzania igły Veressa, należy przejść do kroku 9.**

- Łącznik jednokanałowy jest wstępnie podłączony do zestawu filtrowanych przewodów trójkanałowych z filtrem z węglem aktywowanym.
- Podłączyć łącznik jednokanałowy do portu typu Luer igły Veressa i wprowadzić zgodnie z instrukcją producenta.
- Ustawić żądane wartości przepływu i ciśnienia na wyświetlaczu ekranu dotykowego systemu AirSeal IFS.
- Na ekranie dotykowym systemu AirSeal IFS nacisnąć przycisk „Start” wstępnego wdmuchiwania. Rozpocznie się wstępne wdmuchiwanie gazu.
- Po uzyskaniu wstępnego wdmuchiwania odłączyć zestaw filtrowanych przewodów trójkanałowych z filtrem z węglem aktywowanym od łącznika jednokanałowego.
- Wyjąć igłę Veressa.

**Jeśli port dostępu AirSeal nie jest pierwszym trokarem do wprowadzenia, łącznik jednokanałowy powinien pozostać podłączony do zestawu filtrowanych przewodów trójkanałowych z filtrem z węglem aktywowanym, a następnie łącznik jednokanałowy należy przenieść do portu typu Luer pierwszego wprowadzonego standardowego trokara. Łącznik jednokanałowy należy wyjąć dopiero po wprowadzeniu portu dostępu AirSeal.**

9. Stosując technikę sterylną, wyjąć z opakowania port dostępu AirSeal i opcjonalną zatyczkę tłumiącą (8 mm, 12 mm). Aby uniknąć uszkodzenia, nie odwracać przyrządu w polu sterylnym.
10. Port dostępu AirSeal (obturator i kaniula) jest dostarczany jako wstępnie złożony, w związku z tym nie ma potrzeby jego składania. Uwaga: Jeśli zajdzie potrzeba złożenia portu dostępu, obturator należy umieścić w kaniuli, aż do ich stabilnego łącznego zablokowania.
11. Upewnić się, że obturator i kaniula są odpowiednio złożone. **Uwaga:** W przypadku używania portu dostępu z tępo zakończoną końcówką należy upewnić się, że używana jest również sprężynowa kotwiczka (rys. 4, D).
12. Należy wykonać nacięcie za pomocą standardowych procedur chirurgicznych. (Uwaga: W nacięciu powinna zmieścić się średnica kaniuli. Nieodpowiednie nacięcie może powodować zwiększenie oporu podczas wprowadzania przyrządu, wymagając użycia większej siły podczas wprowadzania i ewentualnie powodując utratę kontroli podczas wprowadzania).

**Złożony port dostępu jest wówczas gotowy do wprowadzenia. W przypadku używania portu dostępu z tępo zakończoną końcówką należy stosować odpowiednią technikę laparoskopową (wejście metodą Hassona).**

13. Wprowadzić zespół portu dostępu przez nacięcie w skórze, wykonując ruch obrotowy w zakresie od 30° do 90°. Wywierać ciągły, ale kontrolowany nacisk (w dół) na uchwyt.
14. Upewnić się, że port dostępu jest wprowadzony prawidłowo. Na tym etapie nie należy wyjmować obturatora z kaniuli. **Uwaga:** W przypadku używania portu dostępu z tępo zakończoną końcówką kotwiczek sprężynową należy przycisnąć w zwykły sposób szwem do brzucha pacjenta.
15. Upewnić się, że czarna linia na końcówce dystalnej portu dostępu AirSeal jest widoczna w jamie przez cały czas, gdy port dostępu AirSeal jest używany do wdmuchiwania gazu.
16. Z bocznej części kaniuli zdjąć zatyczkę rozgałęzienia portu dostępu AirSeal i podłączyć koniec dystalny trzykanałowego zestawu przewodów z filtrami z węglem aktywowanym do rozgałęzienia kaniuli, a następnie ją dokręcić.  
**Uwaga:** Jeśli zestaw przewodów AirSeal i port dostępu nie są odpowiednio dokręcone, odczyt ciśnienia na urządzeniu może nie odzwierciedlać ciśnienia oddawanego przez pacjenta. Bezpieczne połączenie można potwierdzić wizualnie, gdy jedno z białych żeber na złączu typu bullsseye zestawu przewodów zrówna się bezpośrednio z górną częścią portu dostępu (rys. 15). Patrząc prosto w oko portu dostępu, gdy zestaw przewodów jest podłączony, jedno z żeber na elemencie łączącym zestawu przewodów powinno znajdować się bezpośrednio pionowo w stosunku do portu dostępu (rys. 16).
17. Nastąpi automatyczne uruchomienie systemu AirSeal. Obturator pozostawić na miejscu do momentu pojawienia się sygnału dźwiękowego i zielonego komunikatu „AirSeal active” (AirSeal aktywny).
18. Obturator należy wyjąć z kaniuli przez ściśnięcie przycisków zasuwających obturatora w celu odblokowania obu przyrządów. **Uwaga:** Port dostępu z tępo zakończoną końcówką nie ma przycisków mocujących, dlatego też można go zdjąć, wyciągając obturator prosto z kaniuli.
19. Po włączeniu trybu AirSeal i wyjęciu obturatora z kaniuli AirSeal ciśnienie przepływu będzie automatyczne. **Uwaga:** Poziom odprowadzania dymu można ustawić na wysoki lub niski.

20. W razie potrzeby na kaniuli można teraz umieścić opcjonalną zatyczkę tłumiącą (8 mm, 12 mm). **(Uwaga:** W przypadku stosowania opcjonalnej zatyczki tłumiącej zachować ostrożność podczas wprowadzania ostrego lub dużego narzędzia przez kaniulę. Opcjonalną nasadkę tłumiącą można zdjąć z kaniuli w dowolnym momencie procedury i należy ją zdjąć przed włożeniem do kaniuli jakichkolwiek ostrych lub dużych przedmiotów).
21. Po zakończeniu zabiegu nacisnąć przycisk **STOP** na ekranie dotykowym, aby zatrzymać wdmuchiwanie gazu przez system AirSeal **(Uwaga:** Spowoduje to utratę odmy otrzewnowej). Należy stosować standardową technikę laparoskopową; wyjąć wszystkie przyrządy chirurgiczne i zamknąć w typowy sposób odpowiednie miejsca portów. **(Uwaga:** Po zakończeniu zabiegu tryb AirSeal przed zamknięciem przejdzie do końcowej kalibracji. Podczas tej procedury ciśnienie nie jest wytwarzane, ani nie odbywa się insuflacja. Przed usunięciem zestawu filtrowanych przewodów trójkanałowych z filtrem z węglem aktywowanym lub wyłączeniem systemu iFS należy odczekać na ukończenie procesu końcowej kalibracji).
22. Przeszawić dźwignię systemu AirSeal iFS w górę do pozycji UNLOCK (odblokowana).
23. Z gniazda zestawu przewodów systemu AirSeal iFS wyjąć zestaw filtrowanych przewodów z filtrem z węglem aktywowanym.
24. Podczas autotestu urządzenie przeprowadza kontrolę działania, dlatego przed każdą operacją konieczne jest wyłączenie i ponowne włączenie urządzenia.

**Dodatkowe instrukcje dotyczące wprowadzania portu dostępu z końcówką optyczną bezostrzową z użyciem endoskopu podano poniżej.**

**Uwaga: Opis funkcji powiązanych z konkretnymi wersjami oprogramowania można znaleźć w instrukcji obsługi systemu iFS.**

1. Podłączyć endoskop 0° do źródła światła i monitora zgodnie z instrukcjami producenta. Sprawdzić, czy podłączenie endoskopu jest prawidłowe i upewnić się, czy obraz na monitorze jest wyraźny.
2. Endoskop wprowadzać do otworu w proksymalnej końcówce uchwytu portu dostępu z końcówką optyczną bezostrzową aż do osiągnięcia końcówki dystalnej portu dostępu. (Wprowadzanie endoskopu; rys. 12).
3. Odpowiednio obrócić endoskop. (Wprowadzanie endoskopu; rys. 13).
4. Aby zapewnić wyraźny obraz na monitorze, należy wprowadzić endoskop do uchwytu portu dostępu z końcówką optyczną bezostrzową, zetknąć końcówkę optyczną z odpowiednią miękką powierzchnią i wyregulować ostrość kamery.
5. Należy wykonać nacięcie za pomocą standardowych procedur chirurgicznych. **(Uwaga:** W nacięciu powinna zmieścić się średnica kaniuli. Nieodpowiednie nacięcie może powodować zwiększenie oporu podczas wprowadzania przyrządu, wymagając użycia większej siły podczas wprowadzania i ewentualnie powodując utratę kontroli podczas wprowadzania). Wprowadzić zespół portu dostępu przez nacięcie w skórze, wykonując ruch obrotowy w zakresie od 30° do 90°. Wywierać ciągły, ale kontrolowany nacisk (w dół) na uchwyt.
6. Podczas wprowadzania portu dostępu obserwować przechodzenie portu dostępu przez poszczególne płaszczyny tkanki za pomocą endolaparoskopu. Podczas przesuwania do przodu portu dostępu mogą być widoczne poszczególne płaszczyny tkanek.
7. Wyjąć endolaparoskop z portu dostępu z końcówką optyczną bezostrzową (wymijanie endoskopu; rys. 14).
8. Kontynuować zabieg zgodnie z powyższymi instrukcjami, rozpoczynając od kroku 13.

**INSTRUKCJA OBSŁUGI**

**Instrukcja użycia portu dostępu AirSeal w trybie AirSeal w zabiegach wykonywanych przez odbyty:**

**Uwaga: Opis funkcji powiązanych z konkretnymi wersjami oprogramowania można znaleźć w instrukcji obsługi systemu iFS.**

1. Włączyć system AirSeal iFS, naciskając przycisk ON/OFF (WL./WYL.) (rys. 1, A).
2. Dźwignia systemu AirSeal iFS powinna być ustawiona w pozycji górnej, tj. UNLOCK (odblokowana) (rys. 1, D).
3. Przed wprowadzeniem zestawu filtrowanych przewodów trójkanałowych z filtrem z węglem aktywowanym należy poczekać na zakończenie wstępnego autotestu.
4. Z zastosowaniem zasad sterylności wyjąć zestaw przewodów trójkanałowych z opakowania. Aby uniknąć uszkodzenia, nie odwracać przyrządu w polu sterylnym.
5. Wprowadzić obudowę filtra zestawu przewodów trójkanałowych do gniazda zestawu przewodów znajdującego się na przedniej części systemu AirSeal iFS (rys. 1, C).
6. Opuścić dźwignię w dół do pozycji LOCK (zablokowana) (rys. 9); nastąpi automatyczne włączenie trybu AirSeal.  
**Uwaga:** Jeśli aktywny jest tryb AirSeal Dzieci, zostanie wyświetlona próba o wybór trybu AirSeal Dorosli lub Dzieci. Specyfikacje dotyczące trybu AirSeal Pediatric (Dzieci) podano w instrukcji obsługi systemu AirSeal iFS.
7. Sprawdź na wyświetlaczu ekranu dotykowego systemu AirSeal iFS, czy poziom dostępnego gazu jest wystarczający (rys. 1, B).
8. Wybrać żądane ustawienia przepływu i ciśnienia dla pacjenta. Nacisnąć przycisk „Confirm” (Potwierdź), aby potwierdzić ustawienia pacjenta.
9. Stosując technikę sterylną, wyjąć z opakowania port dostępu AirSeal i opcjonalną zatyczkę tłumiącą (8 mm, 12 mm). Aby uniknąć uszkodzenia, nie odwracać przyrządu w polu sterylnym.
10. Port dostępu AirSeal (obturator i kaniula) jest dostarczany jako wstępnie złożony, w związku z tym nie ma potrzeby jego składania.  
**Uwaga:** Jeśli zajdzie potrzeba złożenia portu dostępu, obturator należy umieścić w kaniuli, aż do ich stabilnego łącznego zablokowania.
11. Upewnić się, że obturator i kaniula są odpowiednio złożone.
12. Postępować zgodnie z instrukcją użycia dostarczoną przez producenta wybranego urządzenia z platformą dostępu przez odbyty, aby wprowadzić przyrząd do odbytnicy.
13. Port dostępu wprowadzić przez kanał lub kaniulę w odpowiedniej pozycji do urządzenia z platformą dostępu przez odbyty. Podczas wprowadzania portu dostępu do urządzenia z platformą dostępu przez odbyty należy wykonywać ruch obrotowy od 30° do 90°. Stosować ciągły, ale kontrolowany nacisk osiowy na port dostępu do momentu jego stabilnego zamocowania w urządzeniu z platformą dostępu przez odbyty.
14. Upewnić się, że obturator i kaniula są odpowiednio włożone. Nie wyjmować obturatora z zespołu kaniuli w tym momencie.
15. Z bocznej części kaniuli zdjąć zatyczkę rozgałęzienia portu dostępu AirSeal i podłączyć koniec dystalny trzykanałowego zestawu przewodów z filtrami z węglem aktywowanym do rozgałęzienia kaniuli, a następnie ją dokręcić.  
**Uwaga:** Jeśli zestaw przewodów AirSeal i port dostępu nie są odpowiednio dokręcone, odczyt ciśnienia na urządzeniu może nie odzwierciedlać ciśnienia odczuwanego przez pacjenta. Bezpieczne połączenie można potwierdzić wizualnie, gdy jedno z białych zeber na złączu typu bulls-eye zestawu przewodów zrówna się bezpośrednio z górną częścią portu dostępu (rys. 15). Patrząc prosto w oko portu dostępu, gdy zestaw przewodów jest podłączony, jedno z zeber na elemencie łączącym zestawu przewodów powinno znajdować się bezpośrednio pionowo w stosunku do portu dostępu (rys. 16).
16. Nastąpi automatyczne uruchomienie systemu AirSeal. Obturator pozostawić w miejscu do momentu pojawienia się sygnału dźwiękowego i zielonego komunikatu „AirSeal active” (AirSeal aktywny).
17. Obturator należy wyjąć z kaniuli przez ściśnięcie przycisków zasuwających obturatora w celu odblokowania obu przyrządów.
18. Po włączeniu trybu AirSeal i wyjęciu obturatora z kaniuli AirSeal ciśnienie przepływu będzie automatyczne.  
**Uwaga:** Poziom odprowadzania dymu można ustawić na wysoki lub niski.
19. W razie potrzeby na kaniuli można teraz umieścić opcjonalną zatyczkę tłumiącą (8 mm, 12 mm). **(Uwaga:** W przypadku stosowania opcjonalnej zatyczki tłumiącej zachować ostrożność podczas wprowadzania ostrego lub dużego narzędzia przez kaniulę. Opcjonalną nasadkę tłumiącą można zdjąć z kaniuli w dowolnym momencie procedury i należy ją zdjąć przed włożeniem do kaniuli jakiegokolwiek ostrego lub dużego przedmiotu).
20. Po zakończeniu zabiegu nacisnąć przycisk **STOP** na ekranie dotykowym, aby zatrzymać wdmuchiwanie gazu przez system AirSeal **(Uwaga:** Spowoduje to utratę odmy otrzewnowej). Należy stosować standardową technikę laparoskopową; wyjąć wszystkie przyrządy chirurgiczne i zamknąć w typowy sposób odpowiednie miejsca portów.  
**Uwaga:** Po zakończeniu zabiegu tryb AirSeal przed zamknięciem przejdzie do końcowej kalibracji. Podczas tej procedury ciśnienie nie jest wytwarzane, ani nie odbywa się insuflacja. Przed usunięciem zestawu filtrowanych przewodów trójkanałowych z filtrem z węglem aktywowanym lub wyłączeniem systemu iFS należy odczekać na ukończenie procesu końcowej kalibracji).
21. Przeszawić dźwignię systemu AirSeal iFS w górę do pozycji UNLOCK (odblokowana).
22. Z gniazda zestawu przewodów systemu AirSeal iFS wyjąć zestaw filtrowanych przewodów z filtrem z węglem aktywowanym.
23. Podczas autotestu urządzenie przeprowadza kontrolę działania, dlatego przed każdą operacją konieczne jest wyłączenie i ponowne włączenie urządzenia.

## Ogólna instrukcja stosowania — tryby odprowadzania dymu i standardowego wdmuchiwania gazu:

### **WSTĘPNE WDMUCHIWANIE GAZU PRZY UŻYCIU IGLY VERESS**

**Uwaga: Opis funkcji powiązanych z konkretnymi wersjami oprogramowania można znaleźć w instrukcji obsługi systemu IFS.**

1. Włączyć system AirSeal IFS, naciskając przycisk ON/OFF (WL/WYL.) (rys. 1, A).
  2. Po zakończeniu autotestu diagnostycznego na ekranie dotykowym z listy wyboru trybu systemu AirSeal IFS wybrać tryb odprowadzania dymu lub standardowego wdmuchiwania gazu (rys. 1, B).
  3. Sprawdzić na wyświetlaczu ekranu dotykowego systemu AirSeal IFS, czy poziom dostępnego gazu jest wystarczający (rys. 1, B).
  4. Podłączyć odpowiedni zestaw przewodów do systemu AirSeal IFS (konkretną instrukcję podłączania zestawu rozgałęzionych przewodów z filtrem z węglem aktywowanym do odprowadzania dymu można znaleźć poniżej).
- Uwaga:** Inaczej niż w przypadku innych zestawów przewodów zestaw przewodów jednokanałowych łączy się ze słupkiem łączącym przewodu wdmuchiwania w przedniej części systemu AirSeal IFS.
5. Standardowo podłączyć złącze blokujące typu Luer zestawu przewodów do końcówki igły Veressa lub standardowego trokaru. (Konkretną instrukcję podłączania zestawu rozgałęzionych przewodów z filtrem z węglem aktywowanym do odprowadzania dymu można znaleźć poniżej).
  6. Ustawić żądane wartości przepływu i ciśnienia na wyświetlaczu ekranu dotykowego systemu AirSeal IFS. Nacisnąć przycisk „Confirm” (Potwierdź), aby potwierdzić ustawienia pacjenta.
  7. Na wyświetlaczu ekranu dotykowego systemu AirSeal IFS nacisnąć przycisk „Start” wstępnego wdmuchiwania. Rozpocznie się wstępne wdmuchiwanie gazu.
  8. Po uzyskaniu wstępnego wdmuchiwania **należy wprowadzić standardowy trokar ze standardowymi portami typu Luer.**
  9. Po zakończeniu zabiegu nacisnąć przycisk **STOP** na ekranie dotykowym, aby zatrzymać wdmuchiwanie gazu przez system (**Uwaga:** Spowoduje to utratę odmy otrzewnowej). Należy stosować standardową technikę laparoskopową; wyjąć wszystkie przyrządy chirurgiczne i zamknąć w typowy sposób odpowiednie miejsca portów.
  10. Wyjąć zestaw przewodów z systemu AirSeal IFS (konkretną instrukcję wyjmowania zestawu rozgałęzionych przewodów z filtrem z węglem aktywowanym do odprowadzania dymu można znaleźć poniżej).
  11. Podczas autotestu urządzenie przeprowadza kontrolę działania, dlatego przed każdą operacją konieczne jest wyłączenie i ponowne włączenie urządzenia.

**Dalszą instrukcję dotyczącą zestawu rozgałęzionych przewodów z filtrem z węglem aktywowanym do odprowadzania dymu można znaleźć poniżej.**

### **Do zastosowania z dwoma standardowymi trokami ze standardowymi portami typu Luer i zestawem rozgałęzionych przewodów z filtrem z węglem aktywowanym do odprowadzania dymu.**

Przewód przezroczysty: wdmuchiwanie

Przewód niebieski: odprowadzanie dymu

#### Podłączanie zestawu rozgałęzionych przewodów z filtrem z węglem aktywowanym do odprowadzania dymu

**Uwaga: Opis funkcji powiązanych z konkretnymi wersjami oprogramowania można znaleźć w instrukcji obsługi systemu IFS.**

1. Dźwignia systemu AirSeal IFS powinna być ustawiona w pozycji górnej, tj. UNLOCK (odblokowana) (rys. 1, D).
2. Wprowadzić obudowę filtra zestawu rozgałęzionych przewodów z filtrem z węglem aktywowanym do odprowadzania dymu do gniazda zestawu przewodów znajdującego się na przedniej części systemu AirSeal IFS (rys. 1, C).
3. Opuścić dźwignię w dół do pozycji LOCK (zablokowana).
4. Podłączyć igłę Veressa do złącza typu Luer przewodu przezroczystego na zestawie rozgałęzionych przewodów z filtrem z węglem aktywowanym do odprowadzania dymu.
5. Ustawić żądane wartości przepływu i ciśnienia na wyświetlaczu ekranu dotykowego systemu AirSeal IFS. Nacisnąć przycisk „Confirm” (Potwierdź), aby potwierdzić ustawienia pacjenta.
6. Na ekranie dotykowym systemu AirSeal IFS nacisnąć przycisk „Start” wstępnego wdmuchiwania. Rozpocznie się wstępne wdmuchiwanie gazu.
7. Upewnić się, że kaniule są odpowiednio wprowadzone.
8. Wyjąć igłę Veressa i odłączyć ją od zestawu rozgałęzionych przewodów z filtrem z węglem aktywowanym do odprowadzania dymu.
9. Podłączyć złącze typu Luer przewodu **PRZEZROCZYSTEGO** na zestawie rozgałęzionych przewodów z filtrem z węglem aktywowanym do odprowadzania dymu do standardowej kaniuli. Otworzyć zawór/kurek doływu.
10. Postępować zgodnie z monitorami na ekranie dotykowym systemu AirSeal IFS. Po pojawieniu się odpowiedniego monitu podłączyć łącznik typu Luer przewodu **NIEBIESKIEGO** na zestawie rozgałęzionych przewodów z filtrem z węglem aktywowanym do odprowadzania dymu do drugiej standardowej kaniuli. Wdmuchiwanie pozostaje wówczas aktywne.
11. Po podłączeniu złącza typu Luer przewodu **NIEBIESKIEGO** na zestawie rozgałęzionych przewodów z filtrem z węglem aktywowanym do odprowadzania dymu do drugiej standardowej kaniuli funkcja odprowadzania dymu będzie aktywna.

**POWAŻNE INCYDENTY — Należy natychmiast zgłaszać wszelkie poważne incydenty związane z użytkowaniem tego urządzenia do Działu obsługi klienta CONMED lub lokalnego przedstawiciela firmy CONMED. E-mail: CustomerExperience@CONMED.com**

#### Wyjmowanie zestawu rozgałęzionych przewodów z filtrem z węglem aktywowanym do odprowadzania dymu

**Uwaga: Opis funkcji powiązanych z konkretnymi wersjami oprogramowania można znaleźć w instrukcji obsługi systemu IFS.**

1. Po zakończeniu zabiegu nacisnąć przycisk **STOP** na ekranie dotykowym, aby zatrzymać wdmuchiwanie gazu przez system (**Uwaga:** Spowoduje to utratę odmy otrzewnowej). Należy stosować standardową technikę laparoskopową; wyjąć wszystkie przyrządy chirurgiczne i zamknąć w typowy sposób odpowiednie miejsca portów.
2. Przeszawić dźwignię systemu AirSeal IFS w górę do pozycji UNLOCK (odblokowana).
3. Z gniazda zestawu przewodów systemu AirSeal IFS wyjąć rozgałęzionych przewodów z filtrem z węglem aktywowanym do odprowadzania dymu.
4. Podczas autotestu urządzenie przeprowadza kontrolę działania, dlatego przed każdą operacją konieczne jest wyłączenie i ponowne włączenie urządzenia.

### **UTYLIZACJA**

Urządzenie należy utylizować zgodnie z wymogami lokalnego szpitala.

### **SPOSÓB DOSTARCZANIA**

Każdy z optycznych portów dostępu AirSeal, niskoprofilowych portów dostępu AirSeal, każda z opcjonalnych nasadek tłumiących (8 mm, 12 mm), każdy z portów dostępu z końcówką optyczną bezostrzową AirSeal, każda z kaniul AirSeal, każdy z zestawów rozgałęzionych przewodów z filtrem z węglem aktywowanym do odprowadzania dymu, trzykanałowych zestawów przewodów z filtrami z filtrem z węglem aktywowanym, zestawów przewodów jednokanałowych oraz łączników jednokanałowych AirSeal jest dostarczany(-a) w postaci jalowej — wysterylizowanej przy użyciu promieniowania gamma — i przeznaczony do zastosowania u jednego pacjenta. Po użyciu przyrząd należy zutylizować. Porty dostępu AirSeal, nasadki tłumiące i zestawy przewodów nie są wytwarzane przy użyciu naturalnej gumy lateksowej.

System AirSeal IFS nadaje się do wielokrotnego użytku i nie jest jalowy.

AirSeal® jest zastrzeżonym znakiem towarowym firmy CONMED Corporation.

**Rx ONLY** PRZESTROGA: prawo federalne (USA) zezwala na sprzedaż wyrobu wyłącznie lekarzowi lub na zlecenie lekarza.

**AirSeal® IFS****AirSeal®** Erişim Portu

Bıçaksız Optik Uç, Alçak Profilfli Bıçaksız Optik Uç, Palm Grip Bıçaksız Optik Uç ve Künt Uçlu Erişim Portları

**AirSeal®** Filtreli Tüp Setleri

Aktif Kömür Filtreli Üç Lümenli Filtreli Tüp Seti, Aktif Kömür Filtreli Çatalı Duman Tahliyelili Filtreli Tüp Seti, Tek Lümenli Filtreli Tüp Seti

**Şematik Görünüm: Resimler ve Parça Listesi**

<p><b>AirSeal IFS (Şekil 1)</b></p> <p>A. ON/OFF (Açma/Kapatma) Düğmesi</p> <p>B. Dokunmatik Ekran</p> <p>C. AirSeal ve Duman Tahliyesi Modları için Yuva</p> <p>D. Tüp setini yerine sabitlemek için mandal</p> <p>E. Standart İnsüflasyon Modu için insüflasyon tüp bağlantısı</p> <p><b>Bıçaksız Erişim Portları (Şekil 2/3)</b></p> <p>A. Manifold Tipası</p> <p>B. Kanül</p> <p>C. Bıçaksız Optik Uçlu Obtüratör</p> <p>D. Kanül Mandalı</p> <p><b>Künt Uçlu Erişim Portları (Şekil 4)</b></p> <p>A. Manifold Tipası</p> <p>B. Kanül</p> <p>C. Künt Uçlu Obtüratör</p> <p>D. Yaylı Ankor – Sütürle Sabitlenen Ankor Cihazı</p> <p><b>İsteğe Bağlı Ses Tapası (Şekil 5)</b></p>	<p><b>Tüp Setleri (Şekil 6/7/8)</b></p> <p>A. Filtre</p> <p>B. 2,44-3,05 m (8-10 ft) Tüp</p> <p>C. Luer Lock Tertibatı</p> <p>D. Tek Lümenli Adaptör Tertibatı</p> <p>E. Bilezik</p> <p><b>AirSeal Modu (Şekil 9)</b></p> <p><b>Duman Tahliyesi Modu (Şekil 10)</b></p> <p><b>Standart İnsüflasyon Modu (Şekil 11)</b></p> <p><b>Endoskop İnsersiyonu (Şekil 12)</b></p> <p>A. AirSeal Erişim Portu</p> <p>B. Uygun Büyüklükte Endoskop</p> <p><b>Endoskop İnsersiyonu (Şekil 13)</b></p> <p>A. İnsersiyon sırasında döndürme hareketi, insersiyon için uygulanan kuvveti azaltır</p> <p><b>Endoskopun Çıkarılması (Şekil 14)</b></p> <p>A. Endoskopi geri çekin</p> <p>B. Kanüllü serbest bırakmak için buraya basın</p> <p><b>AirSeal Tüp Setine uygun bağlantı ile AirSeal Erişim Portunun Üstten Görünümü (Şekil 15)</b></p> <p>A. Tüp Seti Hedef Merkezi Konektörü Katıncığı</p> <p><b>AirSeal Tüp Setine doğru bağlantı ile AirSeal Erişim Portunun Önden Görünümü (Şekil 16)</b></p> <p>A. Tüp Seti Hedef Merkezi Konektörü Katıncığı</p>
---	--

**ÖNEMLİ! BU ÜRÜNÜ KULLANMADAN ÖNCE AŞAĞIDAKİ BİLGİLERİ İYİCE OKUYUN.**

Bu kitapçık, bu ürünün kullanımına yardımcı olmak için hazırlanmıştır. Cerrahi teknikler için bir başvuru kaynağı değildir. Ayrıca, AirSeal IFS ve tüm çalıştırma modları ile ilgili eksiksiz talimatlar için lütfen AirSeal IFS Kullanma Talimatlarına'na başvurun.

**KULLANIM ENDİKASYONLARI:**

CONMED AirSeal® IFS Sistemi, bir kaviteyi gazla doldurmak suretiyle şişirmek, endoskopik aletler için gaz sızdırmayan, tıkanıklığın olmadığı bir giriş yolu oluşturup bunu muhafaza etmek ve cerrahi dumanı tahliye etmek için teşhis amaçlı ve/veya terapötik endoskopik işlemlerde kullanılmaya tasarlanmıştır. Abdominal veya torasik kaviteyi şişirmek üzere gazla doldurarak, gaz sızdırmayan, tıkanıklığın olmadığı bir alet yolu oluşturup bunu muhafaza ederek ve cerrahi dumanı tahliye ederek çeşitli torakoskopik ve laparoskopik aletlerin kullanımını kolaylaştırmak için insüflasyonun istendiği durumlarda abdominal, torasik ve pediatrik prosedürlerde kullanılmaya uygundur. Bu alet, endoskopik gözlemi, teşhisi ve tedaviyi kolaylaştırmak üzere rektum ve kolonda insüflasyon gerçekleştirmek amacıyla da kullanılabilir. AirSeal® IFS Sisteminin trokan, görüntüleme ile veya görüntüleme olmadan kullanılmaya uygundur.

**AirSeal IFS'nin üç çalıştırma modu bulunur:**

1. **AirSeal Modu (Şekil 9)**
2. **Duman Tahliyesi Modu (Şekil 10)**
3. **Standart İnsüflasyon Modu (Şekil 11)**

**AirSeal Mode (AirSeal Modu):**

AirSeal IFS, AirSeal Modunda kullanıldığında, laparoskopik cerrahi sırasında stabil pnömoperitoneum ile CO<sub>2</sub> gazı iletimi ve sürekli duman tahliyesi sağlamak için tasarlanmıştır. AirSeal IFS, AirSeal Erişim Portu ve Aktif Kömür Filtreli Üç Lümenli Filtreli Tüp Seti kullanılması gerektirir. AirSeal Erişim Portunu AirSeal IFS'ye bağlamak için Aktif Kömür Filtreli Üç Lümenli Filtreli Tüp Seti kullanılır (Şekil 9).

**Smoke Evacuation Mode (Duman Tahliyesi Modu):**

AirSeal IFS, Duman Tahliyesi Modunda kullanıldığında, laparoskopik cerrahi sırasında CO<sub>2</sub> gazı iletimi ve sürekli duman tahliyesi sağlamak için tasarlanmıştır. AirSeal IFS, standart Luer portlu iki adet geleneksel (AirSeal olmayan) Trokar ve Aktif Kömür Filtreli Çatalı Duman Tahliyelili Tüp Seti kullanımı gerektirir. İki geleneksel trokar, Duman Tahliyesi yoluyla birlikte CO<sub>2</sub> gazı iletimi sağlamak amacıyla Aktif Kömür Filtreli Çatalı Duman Tahliyelili Tüp Setini bağlamak için kullanılır. Aktif Kömür Filtreli Çatalı Duman Tahliyelili Tüp Seti çatalı olup iki geleneksel trokanı AirSeal IFS'ye bağlar (Şekil 10).

**Standard Insufflation Mode (Standart İnsüflasyon Modu):**

AirSeal IFS, Standart İnsüflasyon Modunda kullanıldığında, laparoskopik cerrahi sırasında CO<sub>2</sub> gazı iletimi ve geleneksel insüflatörlerle aynı biçimde Standart İnsüflasyon sağlamak için tasarlanmıştır. AirSeal IFS, standart Luer portlu bir adet geleneksel (AirSeal olmayan) Trokar ve Tek Lümenli Filtreli Tüp Seti kullanılması gerektirir. Trokardaki Luer portu, standart insüflasyon ve CO<sub>2</sub> gazı iletimi sağlamak için Tek Lümenli Filtreli Tüp Setine bağlanır. Tek Lümenli Filtreli Tüp Seti geleneksel bir trokan AirSeal IFS'ye bağlar (Şekil 11).

**AirSeal Erişim Portu iki farklı konfigürasyonda mevcuttur:**

1. **Bıçaksız Optik Uçlu Erişim Portu (Şekil 2 ve 3)**
2. **Künt Uçlu Erişim Portu (Şekil 4)**

Primer giriş için Bıçaksız Optik Uçlu Erişim Portlarından biri kullanılırsa abdominal giriş daha güvenli hale getirmek için görüntüleme sağlamak amacıyla laparoskop kullanılması önerilir.

**AirSeal Tüp Setleri üç farklı konfigürasyonda mevcuttur:**

1. **Aktif Kömür Filtreli Üç Lümenli Filtreli Tüp Seti (Şekil 6)**
2. **Aktif Kömür Filtreli Çatalı Duman Tahliyelili Tüp Seti (Şekil 7)**
3. **Tek Lümenli Filtreli Tüp Seti (Şekil 8)**

AirSeal IFS'de seçilen moda göre uygun tüp setinin kullanıldığından emin olun. Yanlış tüp seti takılırsa seçilen AirSeal IFS moduna devam edilmez ve bir uyarı mesajı görüntülenir.

Filtreli tüp setleri içine sıvı alacak şekilde tasarlanmıştır. Filtreye sıvı girerse AirSeal IFS'nin dokunmatik ekranında bir uyarı mesajı görüntülenir. Bu durum söz konusu olursa kanülün yerleşimini kontrol edin ve tüp setini değiştirmeye hazırlanın.

**UYARILAR:**

- Talimatlara gerektiği gibi uyulmaması ciddi cerrahi sonuçlara yol açabilir.
- AirSeal Sisteminin bileşenlerini yalnızca laparoskopik teknikler konusunda bilgisi, deneyimi ve eğitimi olan vasıflı doktorlar kullanmalıdır.

- Bu kullanma talimatı, cerrahi teknikler veya laparoskopik işlemler için açıklama veya talimat içermez. Gerçekleştirilecek işlem türünün ve bu ürünlerle kullanımının uygunluğunu belirlemek ve her hasta için spesifik tekniği saptamak, işlemi gerçekleştirecek doktorun sorumluluğudur.
- Ambalajda yer alan AirSeal Sistemi bileşenleri ancak son kullanma tarihinden önce kullanıldıkları takdirde ve ambalaj açılmış ve hasarlı değilse sterilidir. Son kullanma tarihinden sonra veya ambalaj açılmış veya hasarlıysa KULLANMAYIN.
- Tüm tek kullanımlık AirSeal Sistemi cihazları (Erişim Portları ve Tüp Setleri) sadece tek hastada kullanılmak üzere ambalajlanmış ve sterilize edilmiştir. Tekrar kullanmayın, tekrar işlemden geçirmeyin veya tekrar sterilize etmeyin. Tekrar kullanım, tekrar işlemden geçirme veya tekrar sterilizasyonu, cihazın yapısal bütünlüğüne tehlikeye sokabilir ve/veya cihaz arızasına yol açarak hastanın yaralanmasına, hastalanmasına veya ölümine neden olabilir. Ayrıca, tek kullanımlık cihazların tekrar işlemden geçirilmesi veya tekrar sterilizasyonu kontaminasyon riski doğurabilir ve/veya buluşçu hastalığın (hastalıkların) bir hastadan diğerine geçmesi de dahil olmak üzere ancak bununla sınırlı olmamak kaydıyla hastada enfeksiyona veya çapraz enfeksiyona neden olabilir. Cihaz kontaminasyonu hastanın yaralanmasına, hastalanmasına veya ölümine yol açabilir.
- Kanülün ucunu irigasyonu veya vücut sıvılarına daldırmayın.
- Kontrol konsolunun yan taraflarındaki veya alt kısmındaki soğutma çıkışları kapanırsa AirSeal IFS alarmı işittir. Alarm işittirilirse soğutma çıkışlarının kapanmış olup olmadığını kontrol edin.
- Yukarıda bahsedilen koşullar mevcut DEĞİLSE ve alarm işittirmeye devam ediyorsa AirSeal IFS'yi kullanmayı durdurun ve servis için üreticiye iade edin.

#### ÖNEMLER:

- Pnömorepitoneum oluşturulmasının bilinen fizyolojik yan etkileri mevcuttur. Azalmış venöz dönüş, azalmış kardiyak çıkış, azalmış böbrek fonksiyonu, artmış intrakraniyal basınç, artmış hava yolu direnci ve azalmış pulmoner uyum bu yan etkiler arasında yer alır.
- Minimal invazif işlemleri sadece minimal invazif cerrahi teknikler konusunda yeterli eğitimi, bilgisi ve ilgili becerisi olan kişiler gerçekleştirmelidir. Herhangi bir minimal invazif işlemi gerçekleştirmeye başlamadan önce teknikler, komplikasyonlar ve tehlikelerle ilgili olarak tıbbi literatüre başvurun.
- Hastanın ve tıbbi personelin elektrik çarpması ve yanık tehlikelerine karşı korunması ve cihaz veya diğer tıbbi aletlerin hasar görmemesi için lazer, elektrocerrahi ve ultrason işlemlerine yönelik ilke ve tekniklerin iyice anlaşılması önemlidir. Elektrik izolasyonunun veya topraklanmanın risk taşımadığından emin olun.
- Aşağıdaki durumlarda hava sürüklenmesi ihtimali mevcuttur:
  - Batına haricen şiddetli baskı uygulanması
  - Yerleştirilmiş diğer geleneksel portlardan veya açık insizyondan şiddetli ve uzun süreli sızıntı
  - Şiddetli ve uzun süreli aspirasyon
- Yukarıda açıklanan koşullar süresince insüflasyon gazının havayla yer değiştirmesi geçici olup, sürüklenen hava CO<sub>2</sub> ile yer değiştirir. Kaloretrakit prosedürlerde > 15 mmHg insüflasyon basıncının aşılması önerilir.
- Karbondioksit insüflasyonunun daha yüksek insüflasyon basınçları (> 15 mm Hg) hiperkarbi, subkütan amfizem, pnömomediastinum, pnömotoraks, pnömokrotum ve üriner retansiyon riskini artırabilir.
- İsteğe bağlı Ses Tapası (8 mm, 12 mm) kullanılıyorsa:
  - Ses Tapasının kopüğünü ve mühürünü kullanmadan önce inceleyin.
  - Kullanım sonrasında Ses Tapasını her tür fiziksel hasara karşı inceleyin.
- AirSeal Erişim Portunun insersiyonu sırasında çok dikkatli olun. Bu ürünün uygun olmayan şekilde kullanılması, iç organların ve damarların hayatı risk taşıyacak şekilde hasar görmesine yol açabilir.
  - Yeterli pnömoperitoneum veya pnömorektum elde edildiğinden emin olun
  - Organlar, penetrasyon bölgesinden uzakta olacak şekilde hastanın uygun şekilde konumlandırıldığından emin olun
  - AirSeal Erişim Portunun ucunu önemli damar ve organlardan uzağa doğru yöneltin
  - AirSeal Erişim Portunun dış duvarının sadece dokuya temas halinde olmasına ve diğer aletler veya kemik gibi sert yüzeyler arasında sıkışmamasına ya da bunlarla çarpışmamasına dikkat edin. Sert yüzeylerle uzun süreli veya ani temas Erişim Portunun hasar görmesine ya da kırılmasına neden olabilir.
  - Aşağı yönde aşırı kuvvet uygulamayın
- Sadece cerrahi el aletleri AirSeal Erişim Portundan geçirilmelidir. AirSeal Erişim Portundan geçirecek trokar veya robotik aletler YERLEŞTİRMEYİN. Yanlış kullanım Erişim Portunun hasar görmesine veya kırılmasına neden olabilir.
- Bıçaksız Optik Uçlu Erişim Portunun tasarımı özellikleri ile, alttaki anatomik yapıları penetrasyon sonucu hasar verme ihtimalinin en aza indirilmesi amaçlanmıştır. Ancak bu tür tüm insersiyonlarda uygulanan standart koruyucu önlemler alınmalıdır.
- Bıçaksız Optik Uçlu Erişim Portunun ucu "bıçaksız" olmasına rağmen, ana damarlara ve diğer anatomik yapılara (örneğin, bağırsaklar veya mezenter) hasar vermemek için bu tür tüm cihazlarla olduğu gibi yine de dikkatli davranılmalıdır. Bu tür bir hasar riskini en aza indirmek için aşağıdaki işlemlerin gerçekleştirildiğinden emin olun:
  - Yeterli pnömoperitoneum veya pnömorektum elde edin;
  - Organları penetrasyon bölgesinden uzaklaştırmaya yardımcı olacak şekilde hastayı uygun şekilde konumlandırın
  - Önemli anatomik işaretlere dikkat edin
  - AirSeal Erişim Portunun ucunu ana damarlardan ve yapılardan uzak kalacak şekilde yönlendirin
  - Aşırı veya kontrolsüz kuvvet uygulamayın
  - Mümkün olduğunda optik giriş tekniği uygulayın.
- Kısmen giriş sağlandıktan sonra giriş işlemini tamamlamak için çok az kuvvet gereklidir. Aşırı kuvvet, alttaki anatomik yapılara hasar verebilir.
- Endoskopik olarak uygun bir giriş yapıldıktan sonra Bıçaksız Optik Uçlu Erişim Portu daha fazla penetrasyon için ilerletilmemelidir. Bu noktada Erişim Portu girişinin sürdürülmesi, alttaki anatomik yapılara hasar verebilir.
- Güvenli ve uygun bir giriş elde edildikten sonra, AirSeal Erişim Portu insüflasyon için kullanılırken AirSeal Erişim Portunun distal ucundaki siyah çizginin her zaman kavite içinde görünür olduğundan emin olun.
- Primer bölge ve önerilen intraabdominal basınç (genellikle 12-18 mmHg) elde edilene kadar sekonder trokar ponksiyonuna kalkışmayın.
- Kanülü kaviteden çıkardıktan sonra bölgede daima hemostaz kontrolü yapın. Hemostaz yoksa hemostaz sağlamak için uygun teknikler kullanılmaldır.
- Aktif Kömür Filtreli Üç Lümenli Filtreli Tüp Seti ve Aktif Kömür Filtreli Çatalı Duman Tahliyeli Tüp Seti, filtrelerdeki sıvı seviyelerini izlemek ve cihaz kontaminasyonu ihtimaline karşı kullanıcıları uyararak için sıvı sensörleriyle donatılmıştır. Filtre muhafazasını sıvı kapalı **Low** (Düşük) sıvı seviyesine kadar dolarsa, dokümanlık ekranında bir uyarı mesajı görüntülenir ve sesli bir sinyal verilir. Filtreye daha fazla sıvı girmediyğinden emin olmak için kanül ve tüp yerleşimi kontrol edilmelidir. Bu noktada, obtüratörü AirSeal Erişim Portuna tekrar takın ve filtreli tüp setini değiştirin.
- Vücut sıvılarıyla temas eden alet veya cihazlar biyolojik kontaminasyonu önlemek için bertaraf sırasında özel muamele gerektirebilir.

#### KONTRENDİKASYONLAR

Endoskopik minimal invazif tekniklerin kontrendike olması durumunda bu AirSeal IFS'nin kullanımı kontrendikedir.

**ÖNEMLİ:** Bu prospektüs, kullanma talimatı sağlamak için hazırlanmıştır. Trokar insersiyon teknikleri için bir başvuru kaynağı veya kılavuz değildir. İnsüflasyon sonrasında bıçaksız optik uçlu trokarın primer port olarak başanıyla kullanılması, doku katmanlarının teşhis ve ayırt edilmesine bağlıdır. Bu nedenle yeni kullanıcılar, doku katmanlarının görüntülenmesinde deneyim ve işlem becerisi kazanmak için insüflasyon sonrasında optik uçlu trokarları sekonder port olarak kullanmalıdır. Optik uçlu trokarlar ancak yukarıdaki teknik konusunda deneyim kazanıldıktan sonra insüflasyon sonrasında primer port olarak kullanılmalıdır.

**Not:** Aseptik sunum öncesinde steriliteyi olumsuz etkileyebilecek herhangi bir paket bütünlüğü sorunu bakımından steril bariyer sistemi/sistemlerini görsel olarak inceleyin. Steril bariyer sisteminde herhangi bir bozulma bulunursa ürünü kullanmayın.

#### KULLANMA TALİMATLARI

##### **AirSeal Erişim Portunun AirSeal Modu için Genel Kullanma Talimatı:**

**Not: Spesifik yazılım revizyonları ile ilişkili özellikler için IFS Kullanma Talimatları'na başvurun.**

1. ON/OFF (Açma/Kapatma) düğmesine basarak AirSeal IFS'yi ON (Açık) konuma getirin (Şekil 1, A).
2. AirSeal IFS'nin mandalı yukarı konumunda veya UNLOCK (Kilitli Aç) pozisyonunda olmalıdır (Şekil 1, D).
3. Üç Lümenli Filtreli Tüp Setini yerleştirmeden önce ilk otomatik kontrolün tamamlanmasını bekleyin.
4. Steril teknik kullanılarak Üç Lümenli Tüp Setini ambalajından çıkarın. Hasar vermemek için cihaz steril alanın üzerine doğru çevirmeyin.
5. Üç Lümenli Tüp Setinin filtre muhafazasını AirSeal IFS'nin ön tarafında bulunan Tüp Seti Yuvasına takın. (Şekil 1, C).

- Mandali aşağıya doğru LOCK (Kilitte) pozisyonuna itin (Şekil 9), AirSeal modu otomatik olarak başlar.  
**Not:** Eğer AirSeal Pediatrik Modu etkinse, Yetişkin veya Pediatrik AirSeal Modunu seçmeniz istenecektir. Pediatric AirSeal (Pediatrik AirSeal modu) mode ile ilgili spesifik bilgiler için AirSeal IFS Kullanma Talimatları'na başvurun.
- AirSeal IFS'nin dokunmatik ekranında yeterli gaz kaynağı seviyesinin mevcut olduğunu doğrulayın (Şekil 1, B).
- Hasta için istediğiniz akış ve basınç ayarlarını seçin. Hasta ayarlarını onaylamak için "Confirm" (Onayla) öğesine basın.

**Bıçaksız Optik Uçlu Erişim Portuyla Veress İğnesi Girişi için diğer talimatlar aşağıda verilmiştir. Bu teknik, Künt Uçlu (Hasson tipi) abdominal giriş için kullanılmaz. Veress iğnesi giriş tekniği kullanılmıyorsa 9. adımdan devam edin.**

- Tek Lümenli Adaptör, Aktif Kömür Filtreli Üç Lümenli Filtreli Tüp Setine önceden takılıdır.
- Tek Lümenli Adaptörü Veress iğnesinin Luer portuna takın ve üreticinin talimatlarına uygun şekilde insersiyon yapın.
- AirSeal IFS dokunmatik ekranında istenilen akış ve basınç değerlerini ayarlayın.
- AirSeal IFS'nin dokunmatik ekranındaki "Start" (Başlat) düğmesine basın; İlk İnsüflasyon başlar.
- İlk insüflasyon elde edildikten sonra, Aktif Kömür Filtreli Üç Lümenli Filtreli Tüp Setini Tek Lümenli Adaptörden ayırın.
- Veress iğnesini çıkarın.

**AirSeal Erişim Portu yerleştirilecek ilk trokar değilse, Tek Lümenli Adaptörü Aktif Kömür Filtreli Üç Lümenli Filtreli Tüp Setine takılı bırakın ve Tek Lümenli Adaptörü ilk yerleştirilen geleneksel trokardan Luer portuna geçirin. Tek Lümenli Adaptörü ancak AirSeal Erişim Portunun insersiyonundan sonra çıkarın.**

- Steril teknik kullanarak AirSeal Erişim Portunu ve isteğe bağlı Ses Tapasını (8 mm, 12 mm) ambalajından çıkarın. Hasar vermeme için cihazı steril alanın üzerine doğru çevirmeyin.
- AirSeal Erişim Portu (obtüratör ve kanül) önceden birleştirilmiş olarak ambalajlanmış halde tedarik edilir, bu nedenle birleştirilmesine gerek yoktur. **Not:** Erişim Portunun birleştirilmesi gerekirse, obtüratörü birlikte sağlamca kilitlenece kadar kanülü içine sokun.
- Obtüratörün ve kanülün gerektiği gibi birleştirildiğinden emin olun. **Not:** Künt Uçlu Erişim Portu kullanılıyorsa Yaylı Ankorun da yerinde olduğundan emin olun (Şekil 4, D).
- Standart cerrahi işlemler yardımıyla bir insizyon gerçekleştirin. (Not: İnsizyon, kanül çapına uygun olmalıdır. Yetersiz insizyon, insersiyona karşı direnç artmasına yol açarak gerekli penetrasyon kuvvetini artırabilir ve giriş sırasında kontrol kaybıyla sonuçlanabilir.)

**Birleştirilen Erişim Portu insersiyona hazırdır. Künt Uçlu Erişim Portu kullanılıyorsa uygun laparoskopik (Hasson tarzı giriş) tekniği kullanın.**

- Erişim Portu tertibatını 30° ile 90° döndürme hareketiyle cilt insizyonunun içinden geçirin. Sapa aşağı yönde sürekli fakat kontrollü bir baskı uygulayın.
- Erişim Portu insersiyonunun gerektiği gibi gerçekleştirildiğinden emin olun. Obtüratörü kanülden bu aşamada çıkarmayın. **Not:** Künt Uçlu Erişim Portu kullanılıyorsa, Yaylı Ankor olağan şekilde hastanın batnına sütürlü sabitlenmelidir.
- Güvenli ve uygun bir giriş elde edildikten sonra, AirSeal Erişim Portu insüflasyon için kullanılırken AirSeal Erişim Portunun distal ucundaki siyah çizginin her zaman kavite içinde görünür olduğundan emin olun.
- AirSeal Erişim Portunun üzerindeki kanülün yan tarafından manifold tapasını çıkarın ve Aktif Karbon Filtreli Üç Lümenli Filtreli Tüp Setinin distal ucunu kanül manifolduna bağlayıp sıkın.  
**Not:** AirSeal Tüp Seti ve Erişim Portu uygun şekilde sıkılmazsa cihazda ölçülen basınç değeri hastanın maruz kaldığı basıncı yansıtmayabilir. Tüp Seti hedef merkezi konektöründeki beyaz kanatçıklardan biri doğrudan Erişim Portunun üst kısmıyla hizalandığında sıkı bağlantı görsel olarak onaylanabilir (Şekil 15). Tüp Seti bağliken doğrudan Erişim Portunun hedef merkezi konektörüne doğru bakıldığında, Tüp Setinin konektör parçasındaki kanatçıklardan biri Erişim Portuna doğrudan dikey olarak oturmalıdır (Şekil 16).
- AirSeal otomatik olarak çalışacaktır. Sesli ikaz duyuluncaya ve yeşil "AirSeal active" (AirSeal etkin) mesajı görününceye kadar obtüratörü yerinde bırakın.
- Obtüratör kilidi düğmelerini sıkarak iki cihaz kilidini açın ve obtüratörü kanülden çıkarın. **Not:** Künt Uçlu Erişim Portunda mandal düğmeleri yoktur, bu nedenle obtüratör kanülden düz bir hareketle çekilerek çıkarılabilir.
- AirSeal Modu etkin olunca ve obtüratör AirSeal kanülünden çıkarıldıktan sonra akış hızı otomatik olur. **Not:** Duman tahliyesi seviyesi High (Yüksek) veya Low (Düşük) olarak ayarlanabilir.
- İsteğe bağlı Ses Tapası (8 mm, 12 mm) istenirse bu noktada kanül üzerine yerleştirilebilir. (**Not:** İsteğe bağlı Ses Tapası kullanılıyorsa kanül içinden keskin veya büyük bir cihaz geçirirken dikkatli olun. İsteğe Bağlı Ses Tapası prosedür sırasında herhangi bir zamanda kanülden çıkarılabilir ve kanüle keskin veya büyük nesnelere sokmadan önce çıkarılmalıdır.)
- İşlemi tamamladıktan sonra AirSeal insüflasyonunu durdurmak için dokunmatik ekranda **STOP** (Durdur) seçeneğine basın (**Not:** Bu durum, pnömoperitoneum kaybıyla sonuçlanır). Standart laparoskopik teknik kullanarak tüm cerrahi cihazları çıkarın ve geçerli port bölgelerini olağan şekilde kapatın. **Not:** Prosedür tamamlandığında, AirSeal Modu kapatılmadan önce son bir kalibrasyondan geçin. Bu süreçte basınç veya insüflasyon oluşmaz. Aktif Kömür Filtreli Üç Lümenli Filtreli Tüp Setini çıkarmadan veya IFS'yi kapatmadan önce son kalibrasyonun tamamlanmasını bekleyin.
- AirSeal IFS'nin üzerindeki mandali yukarı konuma veya UNLOCK (Kilidi Aç) pozisyonuna getirin.
- Aktif Kömür Filtreli Üç Lümenli Filtreli Tüp Setini AirSeal IFS'nin Tüp Seti Yuvasından çıkarın.
- Fonksiyonel test ilk başlatma sırasında gerçekleştirildiğinden, her cerrahi müdahaleden önce ünitenin kapatılıp açılması gerekir.

**Endoskop ile Bıçaksız Optik Uçlu Erişim Portu insersiyonu için diğer talimatlar aşağıda verilmiştir.**

**Not: Spesifik yazılım revizyonları ile ilişkili özellikler için IFS Kullanma Talimatları'na başvurun.**

- 0° endoskopi ışık kaynağına ve monitöre üreticinin talimatına uygun olarak bağlayın. Endoskopun gerektiği gibi bağlandığını doğrulayın ve monitördeki resmin netliğinden emin olun.
- Endoskopi Bıçaksız Optik Uçlu Erişim Portu sapının proksimal ucundaki açıklıktan sokup, Erişim Portunun distal ucuna ulaşmaya kadar ilerletin. (Endoskop İnsersiyonu; Şekil 12).
- Endoskopi istendiği şekilde döndürün. (Endoskop İnsersiyonu; Şekil 13).
- Monitörde net bir görüntü elde etmek için endoskopi Bıçaksız Optik Uçlu Erişim Portu sapına yerleştirin, optik ucu uygun bir yumuşak yüzeye dokundurun ve kamerayı odaklayın.
- Standart cerrahi işlemler yardımıyla bir insizyon gerçekleştirin. (**Not:** İnsizyon, Kanül çapına uygun olmalıdır. Yetersiz insizyon, insersiyona karşı direnç artmasına yol açarak gerekli penetrasyon kuvvetini artırabilir ve giriş sırasında kontrol kaybıyla sonuçlanabilir.) Erişim Portu tertibatını 30° ile 90° döndürme hareketiyle cilt insizyonunun içinden geçirin. Sapa aşağı yönde sürekli fakat kontrollü bir baskı uygulayın.
- Erişim Portunun insersiyonu sırasında laparoskopik yardımıyla Erişim Portunun tek doku düzlemlerinden geçişini görüntüleyin. Erişim Portu ilerlerken tek doku düzlemleri görülebilir.
- Laparoendoskopi Bıçaksız Optik Uçlu Erişim Portundan çıkarın (Endoskopun Çıkarılması; Şekil 14).
13. adımdan başlayarak, yukarıdaki talimatlara uygun şekilde işleme devam edin.

## **KULLANMA TALİMATLARI**

**Transanal Uygulamalarda AirSeal Modu İçin AirSeal Erişim Portunun Kullanma Talimatları:**

**Not: Spesifik yazılım revizyonları ile ilişkili özellikler için IFS Kullanma Talimatları'na başvurun.**

- ON/OFF (Açma/Kapatma) düğmesine basarak AirSeal IFS'yi ON (Açık) konuma getirin (Şekil 1, A).
- AirSeal IFS'nin mandali yukarı konumunda veya UNLOCK (Kilidi Aç) pozisyonunda olmalıdır (Şekil 1, D).
- Üç Lümenli Filtreli Tüp Setini yerleştirmeden önce ilk otomatik kontrolün tamamlanmasını bekleyin.
- Steril teknik kullanarak Üç Lümenli Tüp Setini ambalajından çıkarın. Hasar vermeme için cihazı steril alanın üzerine doğru çevirmeyin.
- Üç Lümenli Tüp Setinin filtre muhafazasını AirSeal IFS'nin ön tarafında bulunan Tüp Seti Yuvasına takın. (Şekil 1, C).
- Mandali aşağıya doğru LOCK (Kilitte) pozisyonuna itin (Şekil 9), AirSeal modu otomatik olarak başlar.  
**Not:** Eğer AirSeal Pediatrik Modu etkinse, Yetişkin veya Pediatrik AirSeal Modunu seçmeniz istenecektir. Pediatric AirSeal (Pediatrik AirSeal modu) mode ile ilgili spesifik bilgiler için AirSeal IFS Kullanma Talimatları'na başvurun.

- AirSeal iFS'nin dokunmatik ekranında yeterli gaz kaynağı seviyesinin mevcut olduğunu doğrulayın (Şekil 1, B).
- Hasta için istediğiniz akış ve basınç ayarlarını seçin. Hasta ayarlarını onaylamak için "Confirm" (Onayla) ögesine basın.
- Steril teknik kullanarak AirSeal Erişim Portunu ve isteğe bağlı Ses Tapasını (8 mm, 12 mm) ambalajından çıkarın. Hasar vermemek için cihazı steril alanın üzerine doğru çevirmeyin.
- AirSeal Erişim Portu (obtüratör ve kanül) önceden birleştirilmiş olarak ambalajlanmış halde tedarik edilir, bu nedenle birleştirilmesine gerek yoktur. **Not:** Erişim Portunun birleştirilmesi gerekirse, obtüratörü birlikte sağlamca kilitlene kadar kanülü içine sokun.
- Obtüratör ve kanülün gerektiği gibi birleştirildiğinden emin olun.
- Rektuma yerleştirilmek üzere seçilen transanal erişim platformu cihazın üreticisi tarafından verilen kullanma talimatlarına uyun.
- Erişim Portunu uygun lümen veya kanül konumu üzerinden transanal erişim platformu cihazına yerleştirin. Erişim Portunu transanal erişim platformu cihazına yerleştirirken, 30° ile 90° döndürme hareketiyle yerleştirin. Transanal erişim platformu cihazına sabitlenene kadar Erişim Portuna sürekli fakat kontrollü eklenen basınç uygulayın.
- Obtüratörün ve kanülün gerektiği gibi yerleştirildiğinden emin olun. Obtüratörü kanül tertibatından bu aşamada çıkarmayın.
- AirSeal Erişim Portunun üzerindeki kanülün yan tarafından manifold tapasını çıkarın ve Aktif Karbon Filtreli Üç Lümenli Filtreli Tüp Setinin distal ucunu kanül manifolduna bağlayıp sıkın. **Not:** AirSeal Tüp Seti ve Erişim Portu uygun şekilde sıkılmazsa cihazda ölçülen basınç değeri hastanın maruz kaldığı basıncı yansıtmayabilir. Tüp Seti hedef merkezi konektöründeki beyaz kancıkların birer birer doğrudan Erişim Portunun üst kısmıyla hizalandığında sıkı bağlantı görsel olarak onaylanabilir (Şekil 15). Tüp Seti bağliken doğrudan Erişim Portunun hedef merkezi konektörüne doğru bakıldığında, Tüp Setinin konektör parçasındaki kancıklardan biri Erişim Portuna doğrudan dikey olarak oturmalıdır (Şekil 16).
- AirSeal otomatik olarak çalışacaktır. Sesli ikaz duyuluncaya ve yeşil "AirSeal active" (AirSeal etkin) mesajı görününceye kadar obtüratörü yerinde bırakın.
- Obtüratör kilidi düğmelerini sıkarak iki cihazın kilidini açın ve obtüratörü kanülden çıkarın.
- AirSeal Modu etkin olunca ve obtüratör AirSeal kanülünden çıkarıldıktan sonra akış hızı otomatik olur. **Not:** Duman tahliyesi seviyesi High (Yüksek) veya Low (Düşük) olarak ayarlanabilir.
- İsteğe bağlı Ses Tapası (8 mm, 12 mm) istenirse bu noktada kanül üzerine yerleştirilebilir. (**Not:** İsteğe bağlı Ses Tapası kullanılıyorsa kanül içinden keskin veya büyük bir cihaz geçirirken dikkatli olun. İsteğe Bağlı Ses Tapası prosedür sırasında herhangi bir zamanda kanülden çıkarılabilir ve kanüle keskin veya büyük bir nesne sokmadan önce çıkarılmalıdır.)
- İşlemi tamamladıktan sonra AirSeal insüflasyonu durdurmak için dokunmatik ekranda **STOP** (Durdur) seçeneğine basın (**Not:** Bu durum, pnömoperitoneum kaybıyla sonuçlanır). Standart laparoskopik teknik kullanarak tüm cerrahi cihazları çıkarın ve geçerli port bölgelerini olağan şekilde kapatın. **Not:** Prosedür tamamlandıktan sonra, AirSeal Modu kapatılmadan önce son bir kalibrasyona geçin. Bu süreçte basınç veya insüflasyon oluşmaz. Aktif Kömür Filtreli Üç Lümenli Filtreli Tüp Setini çıkarmadan veya iFS'yi kapatmadan önce son kalibrasyonu tamamlanmasını bekleyin.
- AirSeal iFS'nin üzerindeki mandalı yukarı konuma veya UNLOCK (Kilidi Aç) pozisyonuna getirin.
- Aktif Kömür Filtreli Üç Lümenli Filtreli Tüp Setini AirSeal iFS'nin Tüp Seti Yuvasından çıkarın.
- Fonksiyonel test ilk başlatma sırasında gerçekleştirildiğinden, her cerrahi müdahaleden önce ünitenin kapatılıp açılması gerekir.

#### **Duman Tahliyesi ve Standart İnsüflasyon Modları için Genel Kullanma Talimatları:**

##### **VERESS İĞNESİYLE İLK İNSÜFLASYON**

**Not: Spesifik yazılım revizyonları ile ilişkili özellikler için iFS Kullanma Talimatları'na başvurun.**

- ON/OFF (Açma/Kapatma) düğmesine basarak AirSeal iFS'yi ON (Açık) konuma getirin (Şekil 1, A).
- Tanımlama amaçlı gerçekleştirilen otomatik kontrolün tamamlanmasından sonra dokunmatik ekranda AirSeal iFS'nin mod seçimi listesinden Duman Tahliyesi Modunu veya Standart İnsüflasyon Modunu seçin (Şekil 1, B).
- AirSeal iFS'nin dokunmatik ekranında yeterli gaz kaynağı seviyesinin mevcut olduğunu doğrulayın (Şekil 1, B).
- Uygun tüp setini AirSeal iFS'ye bağlayın (Aktif Kömür Filtreli Çatalı Duman Tahliyesi Tüp Setini bağlamak için spesifik talimatlar aşağıda verilmiştir). **Not:** Diğer tüp setlerinden farklı olarak tek lümenli tüp seti, AirSeal iFS'nin ön tarafındaki insüflasyon tüp bağlantı noktasına bağlanır.
- Tüp setinin Luer lock konektörünü Veress iğnesinin ucuna veya geleneksel bir Trokar normal şekilde bağlayın. (Aktif Kömür Filtreli Çatalı Duman Tahliyesi Tüp Setini bağlamak için spesifik talimatlar aşağıda verilmiştir).
- AirSeal iFS dokunmatik ekranında istenen akış ve basınç değerlerini ayarlayın. Hasta ayarlarını onaylamak için "Confirm" (Onayla) ögesine basın.
- AirSeal iFS'nin dokunmatik ekranındaki "Start" (Başlat) düğmesine basın; ilk insüflasyon başlar.
- İlk insüflasyon elde edildikten sonra **standart Luer portları olan geleneksel Trokarı yerleştirin.**
- İşlemi tamamladıktan sonra insüflasyonu durdurmak için dokunmatik ekranda **STOP** (Durdur) seçeneğine basın (**Not:** Bu durum, pnömoperitoneum kaybıyla sonuçlanır). Standart laparoskopik teknik kullanarak tüm cerrahi cihazları çıkarın ve geçerli port bölgelerini olağan şekilde kapatın.
- Uygun tüp setini AirSeal iFS'den çıkarın (Aktif Kömür Filtreli Çatalı Duman Tahliyesi Tüp Setini çıkarmak için spesifik talimatlar aşağıda verilmiştir).
- Fonksiyonel test ilk başlatma sırasında gerçekleştirildiğinden, her cerrahi müdahaleden önce ünitenin kapatılıp açılması gerekir.

#### **Aktif Kömür Filtreli Çatalı Duman Tahliyesi Tüp Seti ile ilgili diğer talimatlar aşağıda verilmiştir**

##### **Standart Luer portları olan iki adet geleneksel trokar ve Aktif Kömür Filtreli Çatalı Duman Tahliyesi Tüp Seti ile kullanım için.**

Saydam Tüp: İnsüflasyon  
Mavi Tüp: Duman Tahliyesi

##### **Aktif Kömür Filtreli Çatalı Duman Tahliyesi Tüp Setinin Takılması**

**Not: Spesifik yazılım revizyonları ile ilişkili özellikler için iFS Kullanma Talimatları'na başvurun.**

- AirSeal iFS'nin mandalı yukarı konumunda veya UNLOCK (Kilidi Aç) pozisyonunda olmalıdır (Şekil 1, D).
- Aktif Kömür Filtreli Çatalı Duman Tahliyesi Tüp Setinin filtre muhafazasını AirSeal iFS'nin ön tarafında bulunan Tüp Seti Yuvasına takın. (Şekil 1, C).
- Mandali aşağıya doğru LOCK (Kilitte) pozisyonuna itin.
- Veress iğnesini Aktif Kömür Filtreli Çatalı Duman Tahliyesi Tüp Setindeki saydam tüpün Luer Lock konektörüne takın.
- AirSeal iFS dokunmatik ekranında istenilen akış ve basınç değerlerini ayarlayın. Hasta ayarlarını onaylamak için "Confirm" (Onayla) ögesine basın.
- AirSeal iFS'nin dokunmatik ekranındaki "Start" (Başlat) düğmesine basın; ilk insüflasyon başlar.
- Kanüllerin gerektiği gibi yerleştirildiğinden emin olun.
- Veress iğnesini çıkarıp Aktif Kömür Filtreli Çatalı Duman Tahliyesi Tüp Setinden ayırın.
- Aktif Kömür Filtreli Çatalı Duman Tahliyesi Tüp Setindeki **SAYDAM** tüpün Luer lock konektörünü, geleneksel kanüle takın. Giriş valfini/vanasını açın.
- AirSeal iFS dokunmatik ekranındaki komutları uygulayın. Talimat verildiğinde, Aktif Kömür Filtreli Çatalı Duman Tahliyesi Tüp Setindeki **MAVİ** tüpün Luer lock konektörünü, farklı bir geleneksel kanüle takın. İnsüflasyon aktif kalır.
- Aktif Kömür Filtreli Çatalı Duman Tahliyesi Tüp Setindeki **MAVİ** tüpün Luer lock konektörü ikinci geleneksel kanüle takılınca Duman Tahliyesi etkinleşir.

**CİDDİ OLAYLAR - Bu cihazın kullanımıyla ilgili ciddi olayları derhal CONMED Müşteri Hizmetleri Departmanına veya yerel CONMED temsilcinize bildirin.**  
E-posta: CustomerExperience@CONMED.com

##### **Aktif Kömür Filtreli Çatalı Duman Tahliyesi Tüp Setinin Çıkarılması**

**Not: Spesifik yazılım revizyonları ile ilişkili özellikler için iFS Kullanma Talimatları'na başvurun.**

- İşlemi tamamladıktan sonra insüflasyonu durdurmak için dokunmatik ekranda **STOP** (Durdur) seçeneğine basın (**Not:** Bu durum, pnömoperitoneum kaybıyla sonuçlanır). Standart laparoskopik teknik kullanarak tüm cerrahi cihazları çıkarın ve geçerli port bölgelerini olağan şekilde kapatın.
- AirSeal iFS'nin üzerindeki mandalı yukarı konuma veya UNLOCK (Kilidi Aç) pozisyonuna getirin.
- Aktif Kömür Filtreli Çatalı Duman Tahliyesi Tüp Setini AirSeal iFS'nin Tüp Seti Yuvasından çıkarın.
- Fonksiyonel test ilk başlatma sırasında gerçekleştirildiğinden, her cerrahi müdahaleden önce ünitenin kapatılıp açılması gerekir.

##### **ATMA**

Cihazı yerel hastane gereksinimlerine uygun olarak atın.

## TEDARIK ŞEKİLİ

AirSeal Optik Erişim Portu, AirSeal Alçak Profilli Erişim Portu, İsteğe Bağlı Ses Tapası (8 mm, 12 mm), AirSeal Künt Üçlü Erişim Portu, AirSeal Kanül, Aktif Karbon Filtreli Çift Taraflı Duman Tahliyesi Tüp Seti, Aktif Karbon Filtreli Üç Lümenli Filtreli Tüp Seti, Tek Lümenli Tüp Seti ve AirSeal Tek Lümenli Adaptör cihazlarının her biri tek hastada kullanılmak üzere gama radyasyonuyla steril olarak tedarik edilir. Kullandıktan sonra atın. AirSeal Erişim Portları, Ses Tapaları ve Tüp Setleri, Doğal Kauçuk Lateksten üretilmemektedir.

AirSeal iFS steril değildir ve tekrar kullanılabilir.

AirSeal®, CONMED Corporation'in tescilli ticari markasıdır.

**!Rx ONLY! DİKKAT:** ABD federal kanunları uyarınca bu cihaz sadece hekim tarafından veya hekim talimatıyla satılabilir.

## ROMANIAN

### AirSeal® iFS

Port de acces AirSeal®

Porturi de acces cu vârf optic fără lamă, vârf optic fără lamă cu profil redus, vârf optic fără lamă cu fixare în palmă și cu vârf bont

Seturi de tuburi de filtrare AirSeal®

Set de tuburi de filtrare cu trei lumene și filtru de carbon activ, set de tuburi de filtrare bifurcate, cu evacuare a fumului și filtru de carbon activ, set de tuburi de filtrare cu un singur lumen

### Vedere schematică: Ilustrații și nomenclatură

<p><b>AirSeal iFS (Fig. 1)</b></p> <p>A. Comutator PORNIT/OPRIT B. Afişaj ecran tactil C. Suport pentru modulele AirSeal Evacuare fum D. Manetă pentru blocarea setului de tuburi în poziție E. Conexiune tuburi de insuflare pentru modul Insuflare standard</p> <p><b>Porturi de acces fără lamă (Fig. 2/3)</b></p> <p>A. Dop pentru record B. Canulă C. Obturator pentru vârf optic fără lamă D. Pledică pentru canulă</p> <p><b>Porturi de acces cu vârf bont (Fig. 4)</b></p> <p>A. Dop pentru record B. Canulă C. Obturator cu vârf bont D. Ancoră cu arc – Dispozitiv de ancorare a nodului de sutură</p> <p><b>Capac cu amortizare sonoră opțional (Fig. 5)</b></p>	<p><b>Seturi de tuburi (Fig. 6/7/8)</b></p> <p>A. Filtru B. Tub de 8–10 picioare (2,4–3 m) C. Conector de tip Luer Lock D. Ansamblu adaptor cu un singur lumen E. Colier cu prindere manuală</p> <p><b>Modul AirSeal (Fig. 9)</b></p> <p><b>Modul Evacuare fum (Fig. 10)</b></p> <p><b>Modul Insuflare standard (Fig. 11)</b></p> <p><b>Introducere endoscop (Fig. 12)</b></p> <p>A. Port de acces AirSeal B. Endoscop dimensionat corespunzător</p> <p><b>Introducere endoscop (Fig. 13)</b></p> <p>A. O mișcare de rotire la introducerea diminuează forța necesară introducerii</p> <p><b>Îndepărtare endoscop (Fig. 14)</b></p> <p>A. Retrageți endoscopul B. Apăsăți aici pentru a elibera canula</p> <p><b>Vedere de sus a portului de acces AirSeal cu conectarea corectă la setul de tuburi AirSeal (Fig. 15)</b></p> <p>A. Aripioara conectorului cu țintă al setului de tuburi</p> <p><b>Vedere din față a portului de acces AirSeal cu conectarea corectă la setul de tuburi AirSeal (Fig. 16)</b></p> <p>A. Aripioara conectorului cu țintă al setului de tuburi</p>
---	--

### IMPORTANT! ÎNAINTE DE A UTILIZA PRODUSUL, CITIȚI CU ATENȚIE URMĂTOARELE INFORMAȚII.

Această broșură este concepută pentru a vă oferi asistență la utilizarea acestui produs. Ea nu reprezintă o referință pentru tehnici chirurgicale. În plus față de aceasta, consultați instrucțiunile de utilizare pentru AirSeal iFS, pentru instrucțiuni complete privind utilizarea AirSeal iFS și toate modulele de operare.

### INDICAȚII DE UTILIZARE:

Sistemul CONMED AirSeal® iFS este destinat utilizării în cadrul procedurilor endoscopice de diagnosticare și/sau terapeutice pentru destinderea unei cavități prin umplerea acesteia cu gaz, pentru crearea și menținerea unei căi de intrare fără obstrucții și etanșe la gaz pentru instrumente endoscopice și pentru evacuarea fumului chirurgical. Sistemul este indicat pentru utilizare în proceduri abdominale, toracice și pediatrice unde este dorită insuflație pentru facilitarea folosirii mai multor instrumente toracoscopice și laparoscopice la umplerea cavității abdominale sau toracice cu gaz, precum și pentru a asigura și menține accesul instrumentelor în mediu de gaz, fără obstacole și pentru evacuarea fumului rezultat în timpul procedurii chirurgicale. Acest instrument poate fi folosit și pentru extinderea rectului și a colonului, pentru a permite monitorizarea endoscopică, intervențiile diagnostice și terapeutice. Trocarul sistemului AirSeal® iFS se poate utiliza cu sau fără vizualizare.

### AirSeal iFS dispune de trei moduri de operare:

1. Modul AirSeal (Fig. 9)
2. Modul Evacuare fum (Fig. 10)
3. Modul Insuflare standard (Fig. 11)

### Modul AirSeal:

Când este utilizat în modul AirSeal, AirSeal iFS este conceput să asigure livrarea de CO<sub>2</sub> cu pneumoperitoneu stabil, și evacuarea continuă a fumului, în timpul intervențiilor chirurgicale laparoscopice, și necesită utilizarea sistemului AirSeal iFS, a portului de acces AirSeal și a setului de tuburi de filtrare cu trei lumene și filtru de carbon activ. Setul de tuburi de filtrare cu trei lumene și filtru de carbon activ se utilizează pentru conectarea portului de acces AirSeal la AirSeal iFS (Fig. 9).

### Modul Evacuare fum:

Când este utilizat în modul Evacuare fum, AirSeal iFS este conceput să asigure livrarea de CO<sub>2</sub> și evacuarea continuă a fumului, în timpul intervențiilor chirurgicale laparoscopice, și necesită utilizarea sistemului AirSeal iFS, a două trocare (Non-AirSeal) convenționale, cu porturi Luer standard, și a setului de tuburi bifurcate de evacuare a fumului, cu filtru de carbon activ, cu filtru de carbon activ. Cele două trocare convenționale se utilizează pentru conectarea setului de tuburi bifurcate de evacuare a fumului, cu filtru de carbon activ pentru a asigura livrarea de CO<sub>2</sub>, precum și calea de acces pentru evacuarea fumului. Setul de tuburi bifurcate de evacuare a fumului cu filtru de carbon activ este bifurcat și este utilizat pentru conectarea celor două trocare convenționale la AirSeal iFS (Fig. 10).

### Modul Insuflație standard:

Când este utilizat în modul Insuflare standard, sistemul AirSeal iFS este conceput să asigure livrarea de CO<sub>2</sub> și insuflarea standard, în timpul intervențiilor chirurgicale laparoscopice, într-un format similar cu cel al dispozitivelor de insuflare convenționale, și necesită utilizarea sistemului AirSeal iFS, a unui trocar (Non-AirSeal) convențional cu port Luer standard, și a setului de tuburi de filtrare cu un singur lumen. Portul Luer al trocarului se conectează la setul de tuburi de filtrare cu un singur lumen pentru a asigura insuflarea standard și administrarea de CO<sub>2</sub>. Setul de tuburi de filtrare cu un singur lumen conectează un trocar convențional la sistemul AirSeal iFS (Fig. 11).

### Portul de acces AirSeal dispune de două configurații:

1. Port de acces cu vârf optic fără lamă (Fig. 2 și 3)
2. Port de acces cu vârf bont (Fig. 4)

Dacă pentru accesul principal se utilizează unul din porturile de acces cu vârf optic fără lamă, se recomandă utilizarea unui laparoscop pentru vizualizare, pentru a îmbunătăți pătrunderea în siguranță în cavitatea abdominală.

#### Seturile de tuburi AirSeal dispun de trei configurații disponibile:

1. Set de tuburi de filtrare cu trei lumene și cu filtru de carbon activ (Fig. 6)
2. Set de tuburi bifurcate de evacuare a fumului, cu filtru de carbon activ (Fig. 7)
3. Set de tuburi de filtrare cu un singur lumen (Fig. 8)

Asigurați-vă că este utilizat setul de tuburi corespunzător, în funcție de modul selectat pentru sistemul AirSeal IFS. În cazul în care este introdus setul de tuburi greșit, modul sistemului AirSeal IFS nu va porni și va fi afișat un mesaj de eroare.

Seturile de tuburi de filtrare nu sunt concepute pentru accesul lichidului. Dacă intră lichid în filtru, pe afișajul ecranului tactil al sistemului AirSeal IFS va apărea un mesaj de avertizare. În această situație, verificați amplasarea canulei și pregătiți-vă să înlocuiți setul de tuburi.

#### AVERTIZĂRI:

- Nerespectarea strictă a instrucțiunilor de utilizare poate avea consecințe chirurgicale grave.
- Componentele sistemului AirSeal nu trebuie utilizate decât de medici calificați, care dispun de cunoștințe, experiență și instruire specifică tehnicilor laparoscopice.
- Aceste instrucțiuni de utilizare nu includ descrieri sau instrucțiuni privind tehnicile chirurgicale sau procedurile laparoscopice. Este responsabilitatea medicului care efectuează intervenția să stabilească dacă utilizarea acestor produse este adecvată tipurilor de proceduri realizate și să determine tehnicile specifice aplicabile fiecărui pacient.
- Componentele ambalate ale sistemului AirSeal nu sunt sterile decât dacă se utilizează înainte de data expirării și dacă ambalajul nu a fost deschis și nu este deteriorat. A NU se utiliza după data expirării sau dacă ambalajul a fost deschis sau deteriorat.
- Toate dispozitivele de unică folosință ale sistemului AirSeal (porturile de acces și seturile de tuburi) sunt ambalate și sterilizate și sunt destinate utilizării exclusiv pentru un singur pacient. A nu se reutiliza, reprocessa sau steriliza. Reutilizarea, reprocessarea și sterilizarea pot compromite integritatea structurală a dispozitivului și/sau pot duce la defectarea dispozitivului, aceasta conducând la vătămarea, îmbolnăvirea sau decesul pacientului. De asemenea, reprocessarea sau sterilizarea dispozitivelor de unică folosință creează riscul contaminării și/sau infectării pacientului sau al unei contaminări încrucișate, incluzând, printre altele, posibilitatea transmiterii unei(unor) boli infecțioase de la un pacient la altul. Contaminarea dispozitivului poate conduce la vătămarea, îmbolnăvirea sau decesul pacientului.
- Nu scufundați vârful canulei în lichide biologice sau de irigare.
- Alarma AirSeal IFS se va declanșa dacă ventilatoarele de răcire din lateralele sau din partea inferioară a consolei de comandă sunt blocate. Dacă alarma se declanșează, verificați dacă ventilatoarele de răcire sunt blocate.
- În cazul în care condițiile de mai sus NU există, iar alarma rămâne activă, întrerupeți utilizarea sistemului AirSeal IFS și returnați-l producătorului pentru proceduri de service.

#### PRECAUȚII:

- Crearea pneumoperitoneului implică reacții fiziologice adverse cunoscute, ce includ întoarcerea venoasă deficitară, scăderea debitului cardiac, deficitul funcției renale, creșterea presiunii intracraniene, obstruarea căilor respiratorii și reducerea complianței pulmonare.
- Procedurile minim invazive nu trebuie să fie efectuate decât de persoanele care au primit o instruire adecvată, sunt familiarizate și au o competență relevantă privind procedurile minim invazive. Înainte de a efectua orice procedură minim invazivă, consultați literatura medicală de specialitate care descrie tehnicile, complicațiile și pericolele specifice.
- Pentru evitarea pericolelor de electrocutare sau de arsuri pentru pacient și pentru personalul medical, precum și pentru evitarea deteriorării dispozitivului și a altor instrumente medicale, este necesară o înțelegere desăvârșită a principiilor și tehnicilor implicate în procedurile laser, electrochirurgicale și ecografice. Asigurați-vă că izolațiile electrice și împământarea nu sunt compromise.
- Posibilitatea de antrenare a aerului există în următoarele situații:
  - Presiune puternică aplicată extern pe abdomen
  - Scurgeri severe și prelungite prin alte porturi convenționale instalate sau printr-o incizie deschisă
  - Aspiratie severă și prelungită
- În cazul situațiilor descrise mai sus, înlocuirea gazului insufolat cu aer este temporară, iar aerul antrenat va fi înlocuit cu CO<sub>2</sub>.
- Se recomandă să nu se depășească o presiune de insufflare >15 mm Hg în cadrul procedurilor colo-rectale.
- Presiunile mai ridicate (> 15 mm Hg) de insufflare a dioxidului de carbon pot crește riscul de hipercarbie, emfizem subcutanat, pneumomediastin, pneumotorax, emfizem scrotal și retenție urinară.
- Dacă utilizați un capac opțional cu amortizare sonoră (8 mm, 12 mm):
  - Inspectați capacul cu amortizare sonoră și garnitura înainte de utilizare.
  - Inspectați capacul cu amortizare sonoră după utilizare, pentru a depista defectele fizice de orice natură.
- Introducerea portului de acces AirSeal trebuie realizată cu prudență maximă. Utilizarea necorespunzătoare a acestui produs poate conduce la vătămarea vaselor și organelor interne, ceea ce poate pune viața în pericol.
  - Asigurați-vă că se stabilește în mod adecvat pneumoperitoneul sau pneumorectul
  - Asigurați-vă că pacientul este poziționat corespunzător, astfel încât organele să fie la distanță de locul de penetrare
  - Direcționați vârful portului de acces AirSeal la distanță de organele și vasele importante
  - Aveți grijă ca peretele exterior al portului de acces AirSeal să fie doar în contact cu țesutul și să nu fie prins între sau să se lovească de suprafețe dure, cum ar fi alte instrumente sau oase. Contactul prelungit sau brusc cu suprafețe dure poate duce la deteriorarea sau ruperea portului de acces.
  - Nu aplicați o forță descendentă excesivă
- Numai instrumentele chirurgicale manuale trebuie să fie trecute prin portul de acces AirSeal. NU introduceți trocare sau instrumente robotice prin portul de acces AirSeal. Utilizarea necorespunzătoare poate duce la deteriorarea sau ruperea portului de acces.
- Caracteristicile de design ale portului de acces cu vârf optic fără lamă au rolul de a reduce la minim probabilitatea leziunilor prin penetrare la nivelul structurilor anatomice și intratoracice. Cu toate acestea, trebuie avute în vedere măsurile standard de precauție aplicabile tuturor acestor inserții.
- Deși portul de acces cu vârf optic fără lamă are un vârf „fără lamă”, trebuie avută totuși o grijă deosebită, ca în cazul tuturor dispozitivelor de acest fel, pentru a evita vătămarea vaselor mari și altor structuri anatomice (cum ar fi intestinele sau mezentenul). Pentru a reduce la minim riscul unor astfel de leziuni, asigurați:
  - Stabilirea în mod adecvat a pneumoperitoneului sau pneumorectului;
  - Poziționarea corespunzătoare a pacientului, pentru a ajuta la deplasarea organelor din zona de penetrare
  - Observarea reperelor anatomice importante
  - Direcționarea vârfului portului de acces AirSeal la distanță de vasele și structurile importante
  - Evitarea utilizării unei forțe excesive sau necontrolate
  - Aplicarea unei tehnici optice de introducere, ori de câte ori este posibil.
- După realizarea unei introduceri parțiale, este necesară aplicarea unei forțe reduse pentru finalizarea introducerii. Aplicarea unei forțe excesive poate duce la vătămarea structurilor anatomice subiacente.
- După ce s-a realizat o inserție endoscopică adecvată, portul de acces cu vârf optic fără lamă nu trebuie avansat pentru o penetrare suplimentară. Continuarea introducerii portului de acces la acest punct poate duce la vătămarea structurilor anatomice subiacente.
- După realizarea în siguranță a unui acces adecvat, asigurați-vă că linia neagră din vârful distal al portului de acces AirSeal este vizibilă în cavitate pe toată durata utilizării portului de acces AirSeal pentru insufflare.
- Nu încercați realizarea unor punctii secundare cu trocare înainte de stabilizarea locului principal și a presiunii intraabdominale recomandate (de obicei 12–18 mm Hg).
- După îndepărtarea canulei din cavitate, inspectați întotdeauna locul pentru evaluarea hemostazei. Dacă hemostaza nu este realizată, trebuie utilizate tehnicile adecvate pentru efectuarea hemostazei.
- Setul de tuburi de filtrare cu trei lumene și filtru de carbon activ, și setul de tuburi bifurcate cu evacuare a fumului și filtru de carbon activ sunt echipate cu senzori de lichid pentru monitorizarea nivelului de lichid din filtre și pentru a avertiza utilizatorii cu privire la posibila contaminare a dispozitivului. În cazul în care colectorul de lichide din carcasa filtrului este umplut până la nivelul **Low (Scăzut)**, este ilustrat un mesaj de avertizare pe afișajul ecranului tactil și este

emis un semnal sonor. Verificați poziția canulei și tubulaturii astfel încât în filtru să nu mai poată ajunge lichid. În acest punct, reintroduceți obturatorul în portul de acces AirSeal și schimbați setul de tuburi de filtrare.

- Instrumentele sau dispozitivele care intră în contact cu lichidele biologice pot necesita o manevrare specială la eliminare, pentru a se evita o contaminare biologică.

## CONTRAINDICAȚII

Utilizarea sistemului AirSeal IFS este contraindicată atunci când tehnicile endoscopice minim invazive sunt contraindicate.

**IMPORTANT:** Acest prospect este conceput să ofere instrucțiuni de utilizare. El nu reprezintă însă o referință sau un ghid în ceea ce privește tehnicile de inserție a troacarelor. Utilizarea cu succes a unui trocar cu vârf optic fără lamă ca port principal după însufierea depinde de recunoașterea și diferențierea straturilor de țesut. De aceea, utilizatorii noi trebuie să utilizeze troacarele cu vârf optic ca port secundar în urma însufierii, pentru a câștiga experiență și competențe procedurale pentru vizualizarea straturilor de țesut. Troacarele cu vârf optic trebuie utilizate ca port principal după însufierea numai în urma obținerii unei experiențe cu tehnica descrisă mai sus.

**Notă:** Inspectați vizual sistemele de barieră sterilă pentru eventuale probleme de integritate a ambalajului care ar putea afecta sterilitatea înainte de prezentarea aseptică. Nu folosiți dispozitivul dacă observați perforații în sistemul de barieră sterilă.

## INSTRUCȚIUNI DE UTILIZARE

### Instrucțiuni generale de utilizare a portului de acces AirSeal pentru modul AirSeal:

**Notă:** Pentru caracteristici asociate cu reviziile software specifice, consultați instrucțiunile de utilizare IFS.

1. Porniți sistemul AirSeal IFS apăsând pe comutatorul ON/OFF (Pornit/Oprit) (Fig. 1, A).
2. Maneta sistemului AirSeal IFS trebuie să fie în poziția orientată în sus sau UNLOCK (Deblocat) (Fig. 1, D).
3. Permiteți finalizarea autoverificării, înainte de a introduce setul de tuburi de filtrare cu trei lumene.
4. Utilizând o tehnică sterilă, scoateți din ambalaj setul de tuburi cu trei lumene. Pentru a evita deteriorarea dispozitivului, nu îl răsturnați pe câmpul steril.
5. Introduceți carcasa filtrului setului de tuburi cu trei lumene în suportul pentru seturi de tuburi situat în partea din față a sistemului AirSeal IFS (Fig. 1, C).
6. Apăsați maneta în poziția LOCK (Blocat) (Fig. 9). Modul AirSeal se va lansa automat.  
**Notă:** Dacă modul Pediatric AirSeal este activat, vi se va solicita să selectați modul Adult AirSeal sau Pediatric AirSeal. Consultați instrucțiunile de utilizare AirSeal IFS pentru aspecte specifice legate de versiunile AirSeal mode (modul AirSeal Pediatric).
7. Verificați pe afișajul ecranului tactil al sistemului AirSeal IFS că nivelul gazului indică o rezervă suficientă (Fig. 1, B).
8. Selectați setările de debit și presiune dorite pentru pacient. Apăsați pe „Confirm” (Confirmare) pentru a confirma setările pacientului.

**Consultați instrucțiunile suplimentare de mai jos pentru introducerea acului Veress cu ajutorul portului de acces cu vârf optic fără lamă. Această tehnică nu se utilizează pentru introducerea abdominală a instrumentelor cu vârf bont (de tip Hassan). Dacă nu se utilizează tehnica introducerii unui ac Veress, continuați cu pasul 9.**

- Adaptorul cu un singur lumen este preatașat la setul de tuburi de filtrare cu trei lumene și filtru de carbon activ.
- Conectați adaptorul cu un singur lumen la portul Luer pentru ac Veress și introduceți-l respectând instrucțiunile producătorului.
- Setați valorile dorite pentru debit și presiune pe afișajul ecranului tactil al sistemului AirSeal IFS.
- Apăsați „Start” pe afișajul ecranului tactil al sistemului AirSeal IFS, iar însufierea inițială va începe.
- După realizarea însufierii inițiale, îndepărtați setul de tuburi de filtrare cu trei lumene și filtru de carbon activ de pe adaptorul cu un singur lumen.
- Îndepărtați acul Veress.

**Dacă portul de acces AirSeal nu este primul trocar de amplasat, păstrați adaptorul cu un singur lumen conectat la setul de tuburi de filtrare cu trei lumene și filtru de carbon activ și transferați adaptorul cu un singur lumen la portul Luer al primului trocar convențional amplasat. Îndepărtați adaptorul cu un singur lumen numai după introducerea portului de acces AirSeal.**

9. Utilizând o tehnică sterilă, scoateți din ambalaj portul de acces AirSeal și capacul opțional cu amortizare sonoră (8 mm, 12 mm). Pentru a evita deteriorarea dispozitivului, nu îl răsturnați pe câmpul steril.
10. Portul de acces AirSeal (obturator și canulă) este livrat asamblat în prealabil, nefiind necesar să asamblați componentele. **Notă:** Dacă este necesar să asamblați portul de acces, introduceți obturatorul în canulă, până când acestea se fixează unul de celălalt.
11. Asigurați-vă că obturatorul și canula sunt asamblate corespunzător. **Notă:** Dacă utilizați un port de acces cu vârf bont, asigurați-vă că ancora cu arc este de asemenea fixată (Fig. 4, D).
12. Creați o incizie utilizând tehnicile chirurgicale standard. (**Notă:** Incizia trebuie să corespundă diametrului canulei. O incizie inadecvată poate fi cauza unei rezistențe crescute la introducere, mărind forța de penetrare necesară și putând duce la o pierdere a controlului în timpul introducerii.)

**Portul de acces asamblat este gata de introducere. Dacă utilizați un port de acces cu vârf bont, utilizați tehnica laparoscopică adecvată (introducere stil Hassan).**

13. Introduceți ansamblul portului de acces prin incizia cutanată, utilizând o mișcare de rotire de la 30° la 90°. Aplicați pe mâner o presiune descendentă continuă și controlată.
14. Asigurați-vă că portul de acces este introdus adecvat. Momentan, nu îndepărtați obturatorul din canulă. **Notă:** Dacă utilizați portul de acces cu vârf bont, ancora cu arc trebuie fixată de abdomenul pacientului prin sutură, în modul obișnuit.
15. Asigurați-vă că linia neagră din vârful distal al portului de acces AirSeal este vizibilă în cavitate pe toată durata utilizării portului de acces AirSeal pentru însufiere.
16. Îndepărtați dopul racordului de pe partea laterală a canulei portului de acces AirSeal și conectați capătul distal al setului de tuburi de filtrare cu trei lumene și filtru cu cărbune activ la racordul canulei, iar apoi strângeți-l.  
**Notă:** Dacă setul de tuburi și portul de acces AirSeal nu sunt strâns corespunzător, este posibil ca valoarea citită a presiunii de pe dispozitiv să nu reflecte presiunea resimțită de pacient. O conexiune sigură poate fi confirmată vizual atunci când una dintre aripioarele albe de pe conectorul cu țintă al setului de tuburi se aliniază direct la partea superioară a portului de acces (Fig. 15). Privind drept în ținta portului de acces în timp ce setul de tuburi este conectat, una dintre aripioarele de pe piesa de conectare a setului de tuburi ar trebui să fie poziționat direct vertical față de portul de acces (Fig. 16).
17. AirSeal se va activa în mod automat. Lăsați obturatorul pe loc până când aude un ton și se afișează mesajul de culoare verde „AirSeal active” (Mod AirSeal activ).
18. Scoateți obturatorul din canulă strângând de butoanele pentru pedici pentru a debloca cele două dispozitive. **Notă:** Portul de acces cu vârf bont nu dispune de butoane pentru pedici, putând fi îndepărtat trăgând drept obturatorul în afara canulei.
19. După activarea modulului AirSeal și după ce îndepărtați obturatorul din canula AirSeal, presiunea fluxului va fi stabilă în mod automat. **Notă:** Nivelul de evacuare a fumului poate fi setat alegând opțiunea High (Ridicată) sau Low (Scăzut).
20. Dacă doriți, în acest moment, capacul opțional cu amortizare sonoră (8 mm, 12 mm) poate fi poziționat pe canulă. (**Notă:** Dacă utilizați un capac opțional cu amortizare sonoră, procedați cu atenție atunci când introduceți un dispozitiv ascuțit sau de dimensiune mare prin canulă. Capacul opțional cu amortizare sonoră poate fi îndepărtat de pe canulă în orice moment în timpul procedurii și trebuie îndepărtat înainte de a introduce orice obiect ascuțit sau mare în canulă.)
21. La finalizarea procedurii, apăsați pe **STOP** (Oprește) de pe afișajul ecranului tactil pentru a opri însufierea AirSeal (**Notă:** aceasta va conduce la pierderea pneumoperitoneului). Utilizând tehnici laparoscopice standard, îndepărtați toate dispozitivele chirurgicale și închideți locurile pentru porturi, unde este cazul, în modul obișnuit. **Notă:** La finalizarea procedurii, modul AirSeal va efectua o calibrare finală înainte de închiderea sistemului. În timpul acestei proceduri nu este generată presiune și nu are loc însufierea. Înainte de a scoate setul de tuburi de filtrare cu trei lumene și filtru de carbon activ și de a opri sistemul IFS, așteptați terminarea calibrării finale.
22. Deplasați maneta de pe sistemul AirSeal IFS în sus, în poziția UNLOCK (Deblocat).
23. Îndepărtați setul de tuburi de filtrare cu trei lumene din suportul pentru seturi de tuburi al sistemului AirSeal IFS.
24. La pornirea inițială, aparatul realizează un test funcțional, de aceea unitatea trebuie oprită și repornită înainte de fiecare operație.

## **Consultați instrucțiunile suplimentare de mai jos pentru introducerea portului de acces cu vârf optic fără lamă utilizându-se un endoscop.**

**Notă: Pentru caracteristici asociate cu reviziile software specifice, consultați instrucțiunile de utilizare IFS.**

1. Conectați endoscopul 0° la sursa de lumină și monitorizați respectând instrucțiunile producătorului. Verificați conectarea adecvată a endoscopului și asigurați claritatea imaginii de pe monitor.
2. Introduceți endoscopul în deschiderea din capătul proximal al mânerului portului de acces cu vârf optic fără lamă până când ajunge la vârful distal al portului de acces. (Introducerea endoscopului; Fig. 12).
3. Rotiți endoscopul cum doriți. (Introducerea endoscopului; Fig. 13).
4. Pentru a obține o imagine clară pe monitor, introduceți endoscopul în mânerul portului de acces cu vârf optic fără lamă, atingeți cu vârful optic o suprafață moale convenabilă și focalizați camera.
5. Creați o incizie utilizând tehnicile chirurgicale standard. (**Notă:** Incizia trebuie să corespundă diametrului canulei. O incizie inadecvată poate fi cauza unei rezistențe crescute la introducerea, mărind forța de penetrare necesară și putând duce la o pierdere a controlului în timpul introducerii.) Introduceți ansamblul portului de acces prin incizia cutanată, utilizând o mișcare de rotație de la 30° la 90°. Aplicați pe mâner o presiune descendentă continuă și controlată.
6. În timpul introducerii portului de acces, observați cum portul de acces penetrează planurile tisulare individuale, utilizând laparoscopia.
7. Planurile tisulare individuale pot fi observate pe măsură ce portul de acces avansează.
8. Îndepărtați laparoscopia din portul de acces cu vârf optic fără lamă (îndepărtarea endoscopului; Fig. 14).
9. Continuați procedura respectând instrucțiunile de mai sus, începând cu pasul 13.

## **INSTRUCȚIUNI DE UTILIZARE**

### **Instrucțiuni de utilizare ale portului de acces AirSeal pentru modul AirSeal în aplicații trans-anele:**

**Notă: Pentru caracteristici asociate cu reviziile software specifice, consultați instrucțiunile de utilizare IFS.**

1. PORNIȚI sistemul AirSeal IFS apăsând pe comutatorul ON/OFF (Pornit/Oprit) (Fig. 1, A).
2. Maneta sistemului AirSeal IFS trebuie să fie în poziția orientată în sus sau UNLOCK (Deblocat) (Fig. 1, D).
3. Permiteți finalizarea autoverificării, înainte de a introduce setul de tuburi de filtrare cu trei lumene.
4. Utilizând o tehnică sterilă, scoateți din ambalaj setul de tuburi cu trei lumene. Pentru a evita deteriorarea dispozitivului, nu îl răsturnați pe câmpul steril.
5. Introduceți carcasa filtrului setului de tuburi cu trei lumene în suportul pentru seturi de tuburi situat în partea din față a sistemului AirSeal IFS (Fig. 1, C).
6. Apăsați maneta în poziția LOCK (Blocat) (Fig. 9). Modul AirSeal se va lansa automat.
7. **Notă:** Dacă modul Pediatric AirSeal este activat, vi se va solicita să selectați modul Adult AirSeal sau Pediatric AirSeal. Consultați instrucțiunile de utilizare AirSeal IFS pentru aspecte specifice legate de Pediatric AirSeal mode (modul AirSeal Pediatric).
8. Verificați pe afișajul ecranului tactil al sistemului AirSeal IFS că nivelul gazului indică o rezervă suficientă (Fig. 1, B).
9. Selectați setările de debit și presiune dorite pentru pacient. Apăsați pe „Confirm” (Confirmare) pentru a confirma setările pacientului.
10. Utilizând o tehnică sterilă, scoateți din ambalaj portul de acces AirSeal și capacul opțional cu amortizare sonoră (8 mm, 12 mm). Pentru a evita deteriorarea dispozitivului, nu îl răsturnați pe câmpul steril.
11. Portul de acces AirSeal (obturator și canulă) este livrat asamblat în prealabil, nefiind necesar să asamblați componentele.
12. **Notă:** Dacă este necesar să asamblați portul de acces, introduceți obturatorul în canulă, până când acestea se fixează unul de celălalt.
13. Asigurați-vă că obturatorul și canula sunt asamblate corespunzător.
14. Urmăriți instrucțiunile de utilizare furnizate de către producătorul dispozitivului platformă de acces trans-anal pentru amplasarea în rect.
15. Introduceți portul de acces în dispozitivul platformă de acces prin poziția de lumen sau canulă adecvată. Când introduceți portul de acces în dispozitivul platformă de acces trans-anal, utilizați o mișcare de rotație de la 30° la 90°. Aplicați pe portul de acces o presiune axială continuă, dar controlată, până când acesta este introdus în siguranță în dispozitivul platformă de acces.
16. Asigurați-vă că obturatorul și canula sunt introduse corespunzător. Momentan, nu îndepărtați obturatorul din ansamblul canulei.
17. Îndepărtați dopul racordului de pe partea laterală a canulei portului de acces AirSeal și conectați capătul distal al setului de tuburi de filtrare cu trei lumene și filtru cu cărbune activ la racordul canulei, iar apoi strângeți-l.
18. **Notă:** Dacă setul de tuburi și portul de acces AirSeal nu sunt strânse corespunzător, este posibil ca valoarea citită a presiunii de pe dispozitiv să nu reflecte presiunea resimțită de pacient. O conexiune sigură poate fi confirmată vizual atunci când una dintre aripioarele albe de pe conectorul cu țintă al setului de tuburi se aliniază direct la partea superioară a portului de acces (Fig. 15). Privind drept în ținta portului de acces în timp ce setul de tuburi este conectat, una dintre aripioarele de pe piesa de conectare a setului de tuburi ar trebui să fie poziționată direct vertical față de portul de acces (Fig. 16).
19. AirSeal se va activa în mod automat. Lăsați obturatorul pe loc până când aude un ton și se afișează mesajul de culoare verde, „AirSeal active” (Mod AirSeal activ).
20. Scoateți obturatorul din canulă strângând de butoanele pentru piederici pentru a debloca cele două dispozitive.
21. După activarea modului AirSeal și după ce îndepărtați obturatorul din canula AirSeal, presiunea fluxului va fi stabilă în mod automat.
22. **Notă:** Nivelul de evacuare a fumului poate fi setat alegând opțiunea High (Ridicat) sau Low (Scăzut).
23. Dacă doriți, în acest moment, capacul opțional cu amortizare sonoră (8 mm, 12 mm) poate fi poziționat pe canulă. (**Notă:** Dacă utilizați un capac opțional cu amortizare sonoră, procedați cu atenție atunci când introduceți un dispozitiv ascuțit sau de dimensiune mare prin canulă. Capacul opțional cu amortizare sonoră poate fi îndepărtat de pe canulă în orice moment în timpul procedurii și trebuie îndepărtat înainte de a introduce orice obiect ascuțit sau mare în canulă.)
24. La finalizarea procedurii, apăsați pe **STOP** (Opre) de pe afișajul ecranului tactil pentru a opri insuflarea AirSeal (**Notă:** aceasta va conduce la pierderea pneumoperitoneului). Utilizând tehnicile laparoscopice standard, îndepărtați toate dispozitivele chirurgicale și închideți locurile pentru porturi, unde este cazul, în modul obișnuit.
25. **Notă:** La finalizarea procedurii, modul AirSeal va efectua o calibrare finală înainte de închiderea sistemului. În timpul acestei proceduri nu este generată presiune și nu are loc insuflația. Înainte de a scoate setul de tuburi de filtrare cu trei lumene și filtru de carbon activ și de a opri sistemul IFS, așteptați terminarea calibrării finale.
26. Deplasați maneta de pe sistemul AirSeal IFS în sus, în poziția UNLOCK (Deblocat).
27. Îndepărtați setul de tuburi de filtrare cu trei lumene din suportul pentru seturi de tuburi al sistemului AirSeal IFS.
28. La pornirea inițială, aparatul realizează un test funcțional, de aceea unitatea trebuie oprită și repornită înainte de fiecare operație.

### **Instrucțiuni generale de utilizare în modulele Evacuare fum și Insuflare standard:**

#### **INSUFLARE ÎNȚĂLĂ UTILIZĂNDU-SE UN AC VERESS**

**Notă: Pentru caracteristici asociate cu reviziile software specifice, consultați instrucțiunile de utilizare IFS.**

1. PORNIȚI sistemul AirSeal IFS apăsând pe comutatorul ON/OFF (Pornit/Oprit) (Fig. 1, A).
2. După finalizarea verificării automate de diagnostic, selectați modul Evacuare fum sau modul Insuflare standard pe afișajul ecranului tactil, din lista de selectare a modurilor de pe sistemul AirSeal IFS (Fig. 1, B).
3. Verificați pe afișajul ecranului tactil al sistemului AirSeal IFS că nivelul gazului indică o rezervă suficientă (Fig. 1, B).
4. Conectați setul de tuburi adecvat la sistemul AirSeal IFS (consultați instrucțiunile de mai jos pentru conectarea setului de tuburi bifurcate de evacuare a fumului cu filtru de carbon activ).
5. **Notă:** Spre deosebire de celelalte seturi de tuburi, setul de tuburi cu un singur lumen se conectează la știftul de conectare a tubului de insuflare din partea din față a sistemului AirSeal IFS.
6. Utilizând conectorul Luer Lock, conectați setul de tuburi la capătul unui ac Veress sau al unui trocar convențional, în modul obișnuit. (Consultați instrucțiunile de mai jos pentru conectarea setului de tuburi bifurcate de evacuare a fumului cu filtru de carbon activ).
7. Setări valorilor dorite pentru debit și presiune pe afișajul ecranului tactil al sistemului AirSeal IFS. Apăsați pe „Confirm” (Confirmare) pentru a confirma setările pacientului.
8. Apăsați „Start” pe afișajul ecranului tactil al sistemului AirSeal IFS, iar insuflarea inițială va începe.
9. După realizarea insuflării inițiale, **introduceți trocarul convențional cu porturi Luer standard.**
10. La finalizarea procedurii, apăsați pe **STOP** (Opre) de pe afișajul ecranului tactil pentru a opri insuflarea (**Notă:** aceasta va conduce la pierderea pneumoperitoneului). Utilizând tehnicile laparoscopice standard, îndepărtați toate dispozitivele chirurgicale și închideți locurile pentru porturi, unde este cazul, în modul obișnuit.

10. Conectați setul de tuburi la sistemul AirSeal IFS (consultați instrucțiunile de mai jos pentru îndepărtarea setului de tuburi bifurcate de evacuare a fumului și filtru de carbon activ).
11. La pornirea inițială, aparatul realizează un test funcțional, de aceea unitatea trebuie oprită și repornită înainte de fiecare operație.

### Consultați instrucțiunile de mai jos pentru setul de tuburi bifurcate de evacuare a fumului și filtru de carbon activ

#### Pentru utilizarea cu două trocare convenționale cu porturi Luer standard și cu setul de tuburi bifurcate de evacuare a fumului și filtru de carbon activ.

Tub transparent: Insuflare

Tub albastru: Aspirarea gazelor arse

#### Atașarea setului de tuburi bifurcate de evacuare a fumului și filtru de carbon activ

**Notă: Pentru caracteristici asociate cu reviziile software specifice, consultați instrucțiunile de utilizare IFS.**

1. Maneta sistemului AirSeal IFS trebuie să fie în poziția orientată în sus sau UNLOCK (Deblocat) (Fig. 1, D).
2. Introduceți carcasa filtrului setului de tuburi bifurcate de evacuare a fumului și filtru de carbon activ în suportul pentru seturi de tuburi situat în partea din față a sistemului AirSeal IFS (Fig. 1, C).
3. Apăsăți maneta în poziția LOCK (Blocat).
4. Atașați acul Veress la conectorul de blocare Luer al tubului transparent de pe setul de tuburi bifurcate de evacuare a fumului și filtru de carbon activ.
5. Setăți valorile dorite pentru debit și presiune pe afișajul ecranului tactil al sistemului AirSeal IFS. Apăsăți pe „Confirm” (Confirmare) pentru a confirma setările pacientului.
6. Apăsăți „Start” pe afișajul ecranului tactil al sistemului AirSeal IFS, iar insuflarea inițială va începe.
7. Asigurați-vă că ați introdus corespunzător canalele.
8. Îndepărtați acul Veress și deconectați-l de la setul de tuburi bifurcate de evacuare a fumului și filtru de carbon activ.
9. Prindeți conectorul Luer Lock al tubului **TRANSPARENT** al sistemului de tuburi bifurcate de evacuare a fumului și filtru de carbon activ la canula convențională. Deschideți supapa/robinetul de flux de intrare.
10. Urmați pașii de pe afișajul ecranului tactil al sistemului AirSeal IFS. Când vi se solicită, prindeți conectorul Luer Lock al tubului **ALBASTRU** al setului de tuburi bifurcate de evacuare a fumului și filtru de carbon activ la o canulă convențională diferită. Insuflarea rămâne activă.
11. Când sistemul de blocare Luer Lock al conectorului tubului **ALBASTRU** al setului de tuburi bifurcate de evacuare a fumului și filtru de carbon activ este conectat la a doua canulă convențională, se activează evacuarea fumului.

**INCIDENTE GRAVE – Raportați imediat orice incident grav care are legătură cu utilizarea acestui dispozitiv către Departamentul de asistență pentru clienți CONMED sau către reprezentantul CONMED local. E-mail: CustomerExperience@CONMED.com**

#### Scoaterea setului de tuburi bifurcate de evacuare a fumului și filtru de carbon activ

**Notă: Pentru caracteristici asociate cu reviziile software specifice, consultați instrucțiunile de utilizare IFS.**

1. La finalizarea procedurii, apăsați pe **STOP** (Oprire) de pe afișajul ecranului tactil pentru a opri insuflarea (**Notă:** aceasta va conduce la pierderea pneumoperitoneului). Utilizând tehnici laparoscopice standard, îndepărtați toate dispozitivele chirurgicale și închideți locurile pentru porturi, unde este cazul, în modul obișnuit.
2. Deplasați maneta de pe sistemul AirSeal IFS în sus, în poziția UNLOCK (Deblocat).
3. Îndepărtați setul de tuburi bifurcate de evacuare a fumului și filtru de carbon activ din suportul pentru seturi de tuburi al sistemului AirSeal IFS.
4. La pornirea inițială, aparatul realizează un test funcțional, de aceea unitatea trebuie oprită și repornită înainte de fiecare operație.

#### ELIMINARE

Eliminați dispozitivul în conformitate cu cerințele spitalului local.

#### MOD DE PREZENTARE

Fiecare din porturile de acces AirSeal optice, portul de acces AirSeal cu profil scăzut, capacul opțional cu amortizare sonoră (8 mm, 12 mm), portul de acces AirSeal cu vârf bot, canula AirSeal, setul de tuburi bifurcate de evacuare a fumului și filtru de carbon activ, setul de tuburi de filtrare cu trei lumene și filtru de carbon activ, setul de tuburi cu un singur lumen și adaptor AirSeal cu un singur lumen se livrează sterilizate cu radiații gamma și sunt destinate utilizării exclusiv pentru un singur pacient. A se elimina după utilizare. Porturile de acces AirSeal, capacele de amortizare sonoră și seturile de tuburi nu sunt fabricate din latex natural.

Sistemul AirSeal IFS este nesteril și reutilizabil.

AirSeal® este o marcă comercială înregistrată a CONMED Corporation.

**ATENȚIE:** Legea federală (S.U.A.) permite vânzarea acestui dispozitiv numai de către un medic sau la comanda acestuia.

## ARABIC

### منفذ الدخول AirSeal®

منفذ دخول ذات رؤوس بصرية غير مزودة بشفرات، وذات رؤوس بصرية غير مزودة بشفرات، وذات رؤوس بصرية ومصممة للإمساك بكف اليد، وذات رؤوس غير مدببة  
أطقم أنابيب AirSeal® المفتردة  
طقم أنبوب ثلاثي التجويف مفترد بفلتر من الفحم المنشط، طقم أنبوب ذي شعبتين لتفريغ الدخان مزود بفلتر من الفحم المنشط، طقم أنبوب مفترد أحادي التجويف

منظر تخطيطي: الأشكال التوضيحية والمسميات

أطقم الأنابيب (الأشكال 6/7/8)	نظام AirSeal iFS (الشكل 1)
A. فلتر	A. مفتاح التشغيل/إيقاف التشغيل
B. أنبوب 8-10 قدم	B. شاشة الممس
C. وصلة قفل Luer	C. مقبس لمعدات وضع AirSeal ووضع تفريغ الدخان
D. مجموعة المهين أحادي التجويف	D. ذراع تثبيت طقم الأنابيب في مكانه
E. طرق مصمم للحريك بالإنهيم	E. موضع توصيل أنبوب النفخ الخاص بوضع النفخ القياسي
وضع AirSeal (الشكل 9)	منافذ الدخول غير المزودة بشفرات (الشكلان 2/3)
وضع تفريغ الدخان (الشكل 10)	A. سداة المجمع
وضع النفخ القياسي (الشكل 11)	B. قنينة
إدخال المنظار (الشكل 12)	C. قضيب ساد ذو رأس بصري غير مزود بشفرات
A. منفذ الدخول AirSeal	D. مزلاج القنينة
B. منظار ذو حجم مناسب	منافذ الدخول ذات الرؤوس غير المدببة (الشكل 4)
إدخال المنظار (الشكل 13)	A. سداة المجمع
A. الحركة الدائرية أثناء الإدخال تساعد على تخفيف قوة الإدخال	B. قنينة
إزالة المنظار (الشكل 14)	C. قضيب ساد ذو رأس غير مدبب
A. قم بسحب المنظار	D. قطعة تثبيت زنبركية - جهاز تثبيت ربط الخيوط
B. اضغط هنا لتحرير القنينة	الغطاء الكاتم للصوت الاختياري (الشكل 5)
منظر علوي لمنفذ وصول AirSeal مع التوصيل الصحيح لطقم أنبوب AirSeal (الشكل 15)	
A. زعنفة موصل بؤرة الهدف لطقم الأنابيب	
منظر أمامي لمنفذ وصول AirSeal مع التوصيل الصحيح لطقم أنبوب AirSeal (الشكل 16)	
A. زعنفة موصل بؤرة الهدف لطقم الأنابيب	

## مهم! قبل استخدام المنتج، يرجى قراءة المعلومات التالية بتمعن.

يهدف هذا الكتيب إلى المساعدة في استخدام هذا المنتج. ولا يُعد مرجعًا فيما يخص الأساليب الجراحية. بالإضافة إلى ذلك، يُرجى الرجوع إلى تعليمات استخدام نظام AirSeal IFS للاطلاع على التعليمات الكاملة لنظام AirSeal IFS وكل أوضاع التشغيل.

### دواعي الاستخدام:

تم تصميم نظام AirSeal IFS® CONMED للاستخدام في إجراءات التنظير التشخيصية و/أو العلاجية لتمديد تجويف بملته بالغاز، وإنشاء مسار أدوات معزول بالغاز وخالي من العوائق لإدخال أدوات التنظير والحفاظ عليه مفتوحًا ولتفريغ الدخان الجراحي. النظام مخصص للاستخدام في عمليات البطن والصدر والأطفال في وزن أو أكبر حيث يكون النخف مرغوبًا فيه لتسهيل استخدام مختلف أدوات التنظير الصدري والتنظير البطني، وذلك من خلال ملء تجويف البطن بالغاز لتكميده وإنشاء مسار أدوات معزول بالغاز وخالي من العوائق والحفاظ على ذلك المسار مفتوحًا، وأيضًا عن طريق تفريغ الدخان الجراحي. يمكن استخدام هذه الأداة لنخف المستقيم والقولون لتسهيل المحوطة والتشخيص والعلاج باستخدام المناظير. إن ميزن نظام AirSeal IFS® مُعد للاستخدام مع التصوير أو بدونه.

### نظام AirSeal IFS ثلاثة أوضاع تشغيل:

1. وضع AirSeal (الشكل 9)
2. وضع تفريغ الدخان (الشكل 10)
3. وضع النخف القياسي (الشكل 11)

### وضع AirSeal:

عند استخدامه في وضع AirSeal، فإن نظام AirSeal مصمم لتوصيل غاز ثاني أكسيد الكربون CO<sub>2</sub> مع استرواح مستقر للصفائح وتفريغ مستمر للدخان أثناء جراحات البطن المنظارية، ويتطلب ذلك استخدام نظام AirSeal IFS ومنفذ الدخول AirSeal وطقم أنبوب مقلتر ثلاثي التجويف مزود بقلتر من الفحم المنشط. يستخدم طقم الأنبوب المقلتر ثلاثي التجويف المزود بقلتر من الفحم المنشط لتوصيل منفذ AirSeal IFS بنظام AirSeal IFS (الشكل 9).

### وضع تفريغ الدخان:

عند استخدامه في وضع تفريغ الدخان، فإن نظام AirSeal IFS مصمم لتوصيل غاز ثاني أكسيد الكربون CO<sub>2</sub> وإجراء تفريغ مستمر للدخان أثناء جراحة البطن المنظارية ويتطلب ذلك استخدام نظام AirSeal IFS وميزلين تقليديين (خلاف AirSeal) مزودين بمنافذ Luer قياسية وطقم الأنبوب ذي الشعبتين لتفريغ الدخان المزود بقلتر من الفحم المنشط. يستخدم الميزلان التقليديان لتوصيل طقم الأنبوب ذي الشعبتين لتفريغ الدخان المزود بقلتر من الفحم المنشط من أجل توصيل غاز ثاني أكسيد الكربون CO<sub>2</sub> إضافة إلى خلق مسار مفرغ من الدخان. طقم الأنبوب ذي الشعبتين لتفريغ الدخان المزود بقلتر من الفحم المنشط هو طقم ذو شعبتين يتصل بالميزلين التقليديين بنظام AirSeal IFS (الشكل 10).

### وضع النخف القياسي:

عند استخدامه في وضع النخف القياسي، فإن AirSeal IFS مصمم لتوصيل غاز ثاني أكسيد الكربون CO<sub>2</sub> إلى جانب إجراء نخف قياسي أثناء جراحات البطن المنظارية بنض طريقة المناخيف التقليدية، ويتطلب ذلك استخدام نظام AirSeal IFS، مع ميزن تقليدي (خلاف AirSeal) مزود بمنفذ Luer قياسي، وطقم الأنبوب المقلتر أحادي التجويف. يتصل منفذ Luer الموجود بالميزل بطقم الأنبوب المقلتر أحادي التجويف لإجراء النخف القياسي وتوصيل غاز ثاني أكسيد الكربون (CO<sub>2</sub>). ويعمل طقم الأنبوب المقلتر أحادي التجويف على توصيل ميزل واحد من الميزلان التقليديين بنظام AirSeal IFS (الشكل 11).

### لمنفذ الدخول AirSeal إعدادان متاحان:

1. منفذ دخول برأس بصري غير مزود بشفرات (الشكلان 2 و 3)
2. منفذ الدخول ذو الرووس غير المدببة (الشكل 4)

في حالة استخدام أي من منافذ الدخول ذات الرووس البصرية غير المزودة بشفرات، ينصح باستخدام منظار بطن لتوفير الرؤية التصويرية من أجل دعم الوصول الآمن إلى داخل البطن.

### لاطقم أنابيب AirSeal ثلاثة إعدادات متاحة:

1. طقم أنبوب مقلتر ثلاثي التجويف مزود بقلتر من الفحم المنشط (الشكل 6)
2. طقم أنبوب ذي شعبتين لتفريغ الدخان مزود بقلتر من الفحم المنشط (الشكل 7)
3. طقم أنبوب مقلتر أحادي التجويف (الشكل 8)

تأكد من استخدام طقم الأنبوب الصحيح وفقًا لوضع AirSeal المختار. في حالة إدخال طقم الأنبوب بشكل خاطئ، فإن وضع AirSeal IFS المختار لن يعمل وستظهر رسالة تحذير.

أطقم الأنابيب المقلتر ليست مصممة لتقل السوائل. في حالة دخول سائل إلى القلتر، فستظهر رسالة تحذير على شاشة اللمس بنظام AirSeal IFS. إذا حدث ذلك، فتحقق من وضعية القلتر واستعد لتبديل طقم الأنبوب.

### تحذيرات:

- عدم اتباع التعليمات بشكل صحيح يمكن أن يؤدي إلى عواقب جراحية وخيمة.
- ينبغي أن تُستخدم مكونات نظام AirSeal فقط من قبل أطباء مؤهلين مزودين بالمعرفة والخبرة والتدريب فيما يتعلق بأساليب تنظير البطن.
- لا تتضمن تعليمات الاستخدام هذه أي وصف أو تعليمات عن الأساليب الجراحية أو إجراءات التنظير. وتقع المسؤولية على عاتق الطبيب الذي يقوم بأي إجراء لتحديد مدى ملاءمة تنفيذ هذا النوع من الإجراءات باستخدام هذه المنتجات ولتحديد الأسلوب المعين الملائم لكل مريض.
- تعتبر المكونات المرفقة مع نظام AirSeal معصمة فقط في حال استخدامها قبل تاريخ انتهاء الصلاحية وإذا كانت العبوة مغلقة وغير تالفة. لا يُستخدم بعد تاريخ انتهاء الصلاحية أو إذا كانت العبوة مفتوحة أو تالفة.
- جميع أجهزة نظام AirSeal ذات الاستخدام الواحد (منافذ الدخول وأطقم الأنابيب) معبأة ومعصمة للاستخدام مع مريض واحد فقط. لا تقم بإعادة الاستخدام، أو إعادة التجهيز، أو إعادة التعقيم. إن إعادة الاستخدام أو إعادة التجهيز أو إعادة التعقيم قد تؤثر على السلامة الهيكلية للجهاز وأو قد تؤدي إلى تعطل الجهاز، الأمر الذي بدوره قد يتسبب في إصابة المريض أو مرضه أو وفاته. كذلك فإن إعادة التجهيز أو إعادة التعقيم للأجهزة المخصصة للاستخدام الواحد قد تؤدي إلى مخاطر التلوث وأو إصابة المريض بالعدوى أو انتقال العدوى، بما في ذلك، على سبيل المثال لا الحصر، انتقال الأمراض المعدية من مريض إلى آخر. تلوث الجهاز قد يؤدي إلى إصابة أو مرض أو وفاة المريض.
- لا تعمر رأس القلتر في سائل الغسل أو سائل الجسم.
- سيطلق إنذار نظام AirSeal IFS إذا انسدت فتحات التبريد على جانبي أو قاعدة لوحة التحكم. إذا انطلق الإنذار، فتحقق من عدم وجود أي انسداد لفتحات التبريد.
- إذا لم تكن الظروف المذكورة أعلاه موجودة واستمر الإنذار، فأوقف استخدام نظام AirSeal IFS وأعدّه إلى الجهة المصنعة لإجراء الصيانة.

### احتياطات:

- ينتج عن إجراء استرواح الصفاق آثار جانبية فيسيولوجية معروفة، بما في ذلك انخفاض معدل التنفّث الوريدي العائد إلى القلب، وانخفاض النتاج القلبي، وانخفاض وظيفة الكلى، وزيادة الضغط داخل الجمجمة، وزيادة مقاومة مجرى الهواء، وانخفاض المرونة الرئوية.
- ينبغي أن يقوم بتنفيذ الإجراءات محدودة التدخل فقط أشخاص حاصلون على تدريب مناسب وعلى دراية وكفاءة مناسبة في الأساليب الجراحية محدودة التدخل. استشر المراجع الطبية ذات الصلة بالأميبال والمضاعفات والأخطار قبل إجراء أي إجراء محدود التدخل.
- يعتبر الفهم التام للمبادئ والأساليب ذات الصلة بالإجراءات المعتمدة على الليزر والإجراءات الجراحية الكهربائية والإجراءات فوق الصوتية أمرًا ضروريًا لتجنب خطر التعرض للصدمة والحرق للمريض والفريق الطبي على حد سواء، وتجنب تلف في الجهاز أو الأدوات الطبية الأخرى. تأكد من عدم اختلال العزل الكهربائي أو التاريفي.
- يوجد احتمال لاحتباس الهواء تحت الظروف التالية:
  - وضع ضغط عال جدًا على الجزء الخارجي من البطن
  - تسريب شديد وممتد عبر المنافذ التقليدية الأخرى الموجودة أو من شق مفتوح
  - شفط شديد وممتد
- أثناء هذه الظروف الموضحة أعلاه، يكون استبدال غاز النخف بالهواء مؤقتًا وسوف يحل غاز ثاني أكسيد الكربون CO<sub>2</sub> محل الهواء المحبوس.
- يوصى بالا تتجاوز قيم ضغط النخف < 15 مم زئبق في إجراءات القولون والمستقيم.
- قيم ضغط النخف المرتفعة (< 15 مم زئبق) بغاز ثاني أكسيد الكربون يمكن أن تتسبب في زيادة خطر الإصابة بغرط ثاني أكسيد الكربون في الدم والانتفاخ تحت الجلد واسترواح المنصف واسترواح الصدر وانتفاخ الصفاق واحتباس البول.

- في حالة استخدام الغطاء الكاتم للصوت الاختياري (8 م، 12 م):
- افحص الجزء الإسفنجي والفلل بالغطاء الكاتم للصوت قبل الاستخدام.
- افحص الغطاء الكاتم للصوت بعد الاستخدام للتأكد من عدم وجود ضرر مادي من أي نوع.
- توخ الحذر الشديد عند تركيب منفذ الدخول AirSeal. الاستخدام غير السليم لهذا المنتج يمكن أن يؤدي إلى إصابة الأعضاء الداخلية والأوعية بشكل يهدد الحياة.
- تأكد من تحقيق استرواح كاف للصفق والمستقيم
- تأكد من وضع المريض بشكل صحيح بحيث تكون الأعضاء بعيدة عن موقع الاختراق
- قم بتوجيه رأس منفذ دخول AirSeal بعيداً عن الأوعية والأعضاء المهمة
- احرص على ملامسة الجدار الخارجي لمنفذ وصول AirSeal للأنتسجة فقط وعدم احتجازه بين الأسطح الصلبة أو تصادمه معها، مثل الأدوات الأخرى أو العظام. يمكن أن يؤدي التماس لفترة طويلة أو المفاجئ مع الأسطح الصلبة إلى تلف منفذ الوصول أو كسره.
- لا تستخدم القوة المفرطة الموجهة نحو الأسفل
- يجب تمرير الأدوات البنيوية الجراحية فقط عبر منفذ وصول AirSeal. لا تقم بإدخال الميزال أو الأدوات الروبوتية في منفذ وصول AirSeal. يمكن أن يؤدي الاستخدام غير الصحيح إلى تلف منفذ الوصول أو كسره.
- خصائص تصميم منفذ الدخول ذو الرأس البصري غير المزود بشفرات مخصصة لتقليل احتمالية إصابة التركيبات التشريحية المحيطة أثناء الاختراق. ومع ذلك فإنه يجب مراعاة الإجراءات الاحتياطية القياسية المتخذة في جميع عمليات الإدخال من هذا النوع.
- على الرغم من أن منفذ الدخول ذا الرأس البصري غير المزود بشفرات لا يحتوي على أي شفرات، يجب أخذ الحيط، كما هو الحال مع جميع الأجهزة من هذا النوع، لتجنب حدوث أي ضرر بالأوعية الدموية الرئيسية وغيرها من التركيبات التشريحية (مثل الأمعاء أو المساريق). لتقليل احتمالية وقوع مثل هذه الإصابات إلى أقل قدر ممكن، تأكد من:
  - تحقيق استرواح كاف للصفق أو المستقيم؛
  - هيكلة المريض في وضع ملائم للمساعدة على إزاحة الأعضاء من منطقة الاختراق
  - ملحوظة العلامات التشريحية البارزة
  - توجيه رأس منفذ الدخول AirSeal بعيداً عن الأوعية الدموية والتركيبات الرئيسية
  - عدم استخدام قوة مفرطة أو خارجة عن السيطرة
  - استخدام أسلوب إدخال بصري كلما أمكن.
- بمجرد تحقيق إدخال جزئي، يلزم بذل القليل جداً من الضغط لإكمال الإدخال. يمكن أن تتسبب القوة الزائدة في إصابة التركيبات التشريحية الموجودة أسفل الموضوع.
- بمجرد إجراء الإدخال السليم عن طريق التنظير، ينبغي عدم تحريك منفذ الدخول ذي الرأس البصري غير المزود بشفرات إلى الأمام للمزيد من الاختراق. يمكن أن يتسبب استمرار إدخال منفذ الدخول عند هذه النقطة في إصابة التركيبات التشريحية الموجودة أسفل الموضوع.
- بمجرد تحقيق الدخول السليم والامن، تأكد من أن الخط الأسود الموجود في الطرف البعيد لمنفذ الدخول AirSeal مرني داخل التنجوف في جميع الأوقات التي يتم فيها استخدام منفذ الدخول AirSeal للتنفخ.
- لا تحاول إجراء تقويم بزلية ثانوية حتى يتم تحديد المستوى الرئيسي والقيمة الموسى بها للضغط داخل البطن (عادةً 12-18 ملم زئبق).
- تخصص الموضوع دائماً بعد إزالة التنجوف من التوريف للتأكد من توقف النزيف. إذا لم يتوقف النزيف، ينبغي استخدام الأساليب الملائمة لإيقاف النزيف.
- طقم الأنابيب ثلاثي التنجوف المفلتر بفلتر من الفحم المنشط وطقم الأنابيب ذي الشعيتين لتفريغ الدخان المزود بفلتر من الفحم المنشط كلاهما مجهز بأجهزة الاستشعار للسوائل لمراقبة مستوى السائل في الفلتر ولتحذير المستخدمين من احتمالية تلوث الجهاز. إذا امتلأ وعاء تجميع السوائل الخاص بغطاء الفلتر إلى المستوى Low (مخفض) للسوائل، فستظهر رسالة تحذيرية على شاشة اللمس وستصدر إشارة صوتية. ينبغي تفقد وضع التنجوف والأنابيب للتأكد من عدم دخول أي سوائل إلى الفلتر. عند هذه النقطة، أعد إدخال القضيب الساد داخل منفذ الدخول AirSeal وقم بتغيير طقم الأنابيب المفلتر. قد تستلزم الأجهزة أو الأدوات التي تتلامس مع سوائل الجسم تعاملًا خاصًا للتخلص منها، وذلك لمنع حدوث التلوث البيولوجي.

#### موانع الاستخدام

يُمنع استعمال AirSeal IFS في الظروف التي يُمنع فيها استعمال الأساليب التنظيرية محدودة التنقل.

**مهم:** هذه النشرة الداخلية مصممة لتتدوم لتعليمات للاستخدام. ولا تعتبر مرجعاً أو دليلاً إرشادياً لأساليب إدخال الميزال. يعتمد استخدام الميزال ذي الرأس البصري غير المزود بشفرات كمنفذ أساسي بعد التنفخ على معرفة طبقات الأنسجة والتفريق بينها. لذا ينبغي على المستخدمين الجدد استخدام الميزال ذات الرؤوس البصرية كمنفذ ثانوي بعد التنفخ لاكتساب الخبرة والكفاءة الإجرائية في التعرف البصري على طبقات الأنسجة. ينبغي استخدام الميزال ذات الرؤوس البصرية كمنفذ أساسي بعد تحقيق الخبرة في الأسلوب المذكور أعلاه.

**ملاحظة:** افحص نظام (أنظمة) الحاجز المُعقم للتأكد من خلوه من أي مشاكل تتعلق بسلامة التعقيم مثل أنها أن تؤثر في التعقيم قبل التقديم المُعقم. ولا تستخدمه في حال العثور على أي خروقات في نظام الحاجز المعقم.

#### تعليمات الاستخدام

##### تعليمات عامة لاستخدام منفذ الدخول AirSeal في وضع AirSeal:

**ملاحظة:** ارجع إلى تعليمات استخدام IFS للاطلاع على العيزات المرتبطة بإصدارات البرنامج المحددة.

1. قم بتشغيل نظام AirSeal IFS بالضغط على مفتاح التشغيل/الإيقاف التشغيل (الشكل 1، A).
2. يجب أن يكون اتجاه النزاع الموجهة في نظام AirSeal IFS أعلى أو في وضع UNLOCK (مفتوح) (الشكل 1، D).
3. احرص للفحص الذاتي المبني بالاتجاه قبل إدراج طقم أنبوب مرشح ثلاثي التنجوف.
4. باستخدام تقنية معقمة، قم بإزالة طقم الأنابيب ثلاثي التنجوف من الحزمة. لتجنب حدوث تلف، لا تقم بإلقاء الجهاز على السطح المعقم.
5. أدخل غطاء الفلتر الخاص بطقم الأنابيب ثلاثي التنجوف في مقيس طقم الأنابيب الموجود في مقدمة AirSeal IFS (الشكل 1، C).
6. ادفع النزاع لأسفل في وضع LOCK (مقفل) (الشكل 9)، سيتم تشغيل وضع AirSeal تلقائياً.
- ملحوظة:** إذا تم تنشيط وضع AirSeal للأطفال، فيسقط منك تحديد وضع AirSeal للكبك أو الأطفال. ارجع إلى تعليمات استخدام AirSeal IFS للحصول على تفاصيل عن وضع AirSeal للأطفال.
7. راجع شاشة اللمس في نظام AirSeal IFS للتأكد من وجود مستوى كافٍ من إمداد الغاز (الشكل 1، B).
8. قم بتحديد إعدادات السريان والضغط المطلوبة للمريض. اضبط على «تأكيد» لتأكيد إعدادات المريض.

**اطلع على المزيد من التعليمات أثناءه بخصوص إدخال إبرة Veress مع منفذ الدخول ذي الرأس البصري غير المزود بشفرات. لا يستخدم هذا الأسلوب من أجل إدخال منفذ ذي رأس غير مدبب (من نوع Hasson) إلى البطن. في حالة عدم استخدام أسلوب إدخال إبرة Veress، تابع إلى الخطوة 9.**

- يكون المهيئ أحادي التنجوف مثبّطاً مسبقاً بطقم الأنابيب ثلاثي التنجوف المفلتر بفلتر من الفحم المنشط.
- قم بتوصيل المهيئ أحادي التنجوف بمنفذ Luer بإبرة Veress وقم بالإدخال وفقاً لتعليمات الجهة المصنعة.
- قم بضبط قيمتي معدل السريان والضغط المرغوبتين على شاشة اللمس الخاصة بنظام AirSeal IFS.
- اضغط على «Start» (أبداً) على شاشة اللمس الخاصة بنظام AirSeal IFS وسيبدأ التنفخ الأولي.
- بعد إتمام التنفخ الأولي، أفضل طقم الأنابيب ثلاثي التنجوف المفلتر بفلتر من الفحم المنشط عن المهيئ أحادي التنجوف.
- قم بإزالة إبرة Veress.

**إذا لم يكن منفذ الدخول AirSeal هو أول ميزال يتم وضعه، فليق المهيئ أحادي التنجوف متصل بطقم الأنابيب ثلاثي التنجوف المفلتر بفلتر من الفحم المنشط، وقم بتفكيك المهيئ أحادي التنجوف إلى منفذ Luer الخاص بالمزج التقليدي الموضوع أولاً. لا تقم بإزالة المهيئ أحادي التنجوف إلا بعد أن يتم إدخال منفذ الدخول AirSeal.**

9. قم بإخراج منفذ الدخول AirSeal والغطاء الكاتم للصوت الاختياري (8 م، 12 م) من العورة، وذلك باستخدام أساليب معقمة. لتجنب حدوث تلف، لا تقم بإلقاء الجهاز على السطح المعقم.
10. يرد منفذ الدخول AirSeal (القضيب الساد والفتية) معاً وجمعاً مسبقاً، لذلك لا توجد حاجة لتجميعه. ملحوظة: إذا احتاج منفذ الدخول إلى تجميع، فأدخل القضيب الساد في الفتية حتى يتم تثبتها بإحكام معاً.
11. تأكد من تجميع القضيب الساد والفتية بشكل صحيح. **ملحوظة:** في حالة استخدام منفذ الدخول ذي الرأس غير المدبب، تأكد من أن قطعة تثبيت الزنبركية في مكانها الصحيح أيضاً (الشكل 4، D).
12. قم بعمل شق باستخدام الإجراءات الجراحية القياسية. (ملحوظة: ينبغي أن يسهل الشق قطر الفتية. قد يتسبب الشق غير الملائم في زيادة مقاومة الإدخال مما يتطلب زيادة قوة الاختراق، التي يُحتمل أن ينتج عنها فقدان التحكم أثناء الإدخال).

## منفذ الدخول المجمع جافز للإبخال. في حالة استخدام منفذ دخول ذي رأس مدبب، قم باستخدام أسلوب الجراحة التنظيرية المناسب (إدخال بأسلوب Haddon).

13. أدخل مجموعة منفذ الدخول عن طريق الشق الموجود بالجلد باستخدام حركة دورانية بزواوية من 30 درجة إلى 90 درجة. اضغط لأسفل على المقبض بشكل مستمر وتحت السيطرة في نفس الوقت.
14. تأكد من أن منفذ الدخول قد تم إدخاله بالشكل الصحيح. لا تقم بإزالة القضيبي السداد من القنينة في هذا الوقت. **ملحوظة:** في حالة استخدام منفذ دخول ذي رأس مدبب، ينبغي إحكام قطعة التثبيت الزنبركية لأسفل ببطن المريض باستخدام خط جراحي، بالطريقة المعتادة.
15. تأكد من أن الخط الأسود عند الطرف البعيد لمنفذ دخول AirSeal مرني داخل التجويف في جميع الأوقات التي يتم فيها استخدام منفذ دخول AirSeal للنفخ.
16. أزل سداة المجمع من جانب الكانيولا على منفذ وصول AirSeal ووصلت النهاية البعيدة لطقم الأنابيب المفلتر الثلاثي التجاويف المرؤذ بفلتر الفحم النشط بمجمع الكانيولا وأحكم الربط.
- ملاحظة:** إذا لم يتم إحكام ربط طقم أنبوب AirSeal ومنفذ الوصول بشكل مناسب، فقد لا تعكس قراءة الضغط على الجهاز الضغط الذي يتعرض له المريض. يمكن التأكد من إحكام التوصيل بصرياً عند محاذة إحدى الزعانف البيضاء على موصل بوزة الهدف لطقم الأنابيب أعلى منفذ الوصول مباشرة (الشكل 15). عند النظر بشكل مستقيم إلى موصل بوزة الهدف في منفذ الوصول في أثناء توصيل طقم الأنابيب، يجب أن تكون إحدى الزعانف الموجودة على قطعة الموصل في طقم الأنابيب عمودية على منفذ الوصول بشكل مباشر (الشكل 16).
17. سيتم تنشيط وضع AirSeal تلقائياً. اترك السداة في مكانها حتى تظهر النغمة المسموعة ورسالة التفعيل «AirSeal active» الخضراء.
18. قم بفصل القضيبي السداد عن القنينة عن طريق الضغط على الأزرار المزلاجية للسداة لفك ربط الأدايتن. **ملحوظة:** لا توجد أزرار مزلاجية بمنفذ الدخول ذي الرأس غير المدبب، لذا يمكن فصل القضيبي السداد بسحبه مباشرة خارج القنينة.
19. بمجرد تنشيط وضع AirSeal وإزالة القضيبي السداد من قنينة AirSeal، سيكون معدل السريان تلقائياً. **ملحوظة:** يمكن ضبط مستوى تفريغ الدخان إما على المستوى High (مرتفع) أو المستوى Low (منخفض).
20. يمكن وضع الغطاء الكاتم للصوص الاختياري (8 مم، 12 مم) على القنينة في هذا الوقت، إذا رغبت في ذلك. **ملحوظة:** في حالة استخدام الغطاء الكاتم للصوص الاختياري، توخ الحذر عند إدخال جهاز حاد أو كبير عبر القنينة. يمكن إزالة الغطاء الكاتم للصوص الاختياري من الكانيولا في أي وقت في أثناء الإجراء وتجب إزالته قبل إدخال أي أشياء حادة أو كبيرة في الكانيولا.
21. فور اكتمال الإجراء، اضغط على **STOP** (إيقاف) على شاشة اللبس لإيقاف نفخ AirSeal **ملحوظة:** سوف يؤدي هذا إلى فقدان استرواح الصفاق). باستخدام أسلوب الجراحة التنظيرية القياسي، قم بإزالة جميع الأجهزة الجراحية وأغلق مواضع المنافذ المفتوحة المنطقية بالطريقة الاعتيادية. **ملحوظة:** عند اكتمال الإجراء، سيتم وضع AirSeal بإجراء معايرة نهائية قبل إيقاف التشغيل. أثناء هذه العملية، لا يتم تراكم أي ضغط أو نفخ. انتظر حتى اكتمال المعايرة النهائية قبل إزالة طقم الأنابيب ثلاثي التجويف المفلتر من الفحم المنشط أو إيقاف تشغيل نظام iFS.
22. حرك النزاع الموجودة في نظام AirSeal iFS أعلى أو إلى وضع UNLOCK (متفتح).
23. قم بإزالة طقم الأنابيب ثلاثي التجويف المفلتر ببطن من الفحم المنشط من مقبس طقم الأنابيب بنظام AirSeal iFS.
24. نظراً لأنه من الأفضل إجراء الاختيار الوظيفي أثناء بدء التشغيل الأولي، يجب إجراء دورة طاقة للوحدة (إيقاف تشغيل/تشغيل) قبل كل جراحة.

## انظر التعليمات الإضافية الواردة أثناء إدخال منفذ الدخول ذي الرأس البصري غير المرؤذ بشفرات مع استخدام منظار. **ملحوظة:** ارجع إلى تعليمات استخدام iFS للاطلاع على الميزات المرتبطة باصدارات البرنامج المحددة.

1. قم بتوصيل المنظار ذي زاوية 0 بمصدر الضوء والشاشة كما هو موضح في تعليمات الجهة المصنعة. تحقق من التوصيل الملائم للمنظار وتأكد من وضوح الصورة على الشاشة.
2. قم بإدخال المنظار داخل الفتحة عند الطرف الأقرب من مقبض منفذ الدخول ذي الرأس البصري غير المرؤذ بشفرات إلى أن يصل إلى الطرف الأبعد من منفذ الدخول (إدخال المنظار؛ الشكل 12).
3. قم بتدوير المنظار حسب الرغبة. (إدخال المنظار؛ الشكل 13).
4. للحصول على صورة واضحة على الشاشة، قم بإدخال المنظار داخل مقبض منفذ الدخول ذي الرأس البصري غير المرؤذ بشفرات، ولامس الرأس البصري بضغط ناعم ملانم، واضبط بوزة تركيز الكاميرا.
5. قم بعمل شق باستخدام الإجراءات الجراحية القياسية. **ملحوظة:** ينبغي أن يسع الشق قطر القنينة. قد يتسبب الشق غير الملائم في زيادة مقاومة الإدخال مما يتطلب زيادة قوة الاختراق، التي يُحتمل أن ينتج عنها فقدان التحكم أثناء الإدخال). أدخل مجموعة منفذ الدخول عن طريق الشق الموجود بالجلد باستخدام حركة دورانية بزواوية من 30 درجة إلى 90 درجة. اضغط لأسفل على المقبض بشكل مستمر وتحت السيطرة في نفس الوقت.
6. أثناء إدخال منفذ الإدخال، قم بمتابعة عملية اختراق منفذ الإدخال عبر مستويات الأنسجة الفردية بالنظر باستخدام منظار البطن. يمكن رؤية مستويات الأنسجة الفردية بينما يتقدم منفذ الإدخال.
7. قم بإزالة منظار البطن من منفذ الدخول ذي الرأس البصري غير المرؤذ بشفرات (إزالة المنظار؛ الشكل 14).
8. تابع الإجراء وفقاً للتعليمات الواردة أعلاه، بداية من الخطوة 13.

## تعليمات الاستخدام

### تعليمات استخدام منفذ الدخول AirSeal في وضع AirSeal في الاستخدامات عبر الشرج:

#### ملحوظة: ارجع إلى تعليمات استخدام iFS للاطلاع على الميزات المرتبطة باصدارات البرنامج المحددة.

1. قم بتشغيل نظام AirSeal iFS بالضغط على مفتاح التشغيل/إيقاف التشغيل (الشكل 1، A).
  2. يجب أن يكون اتجاه النزاع الموجودة في نظام AirSeal iFS أعلى أو في وضع UNLOCK (متفتح) (الشكل 1، D).
  3. اسمح للفحص الذاتي المبني بالاتجاه قبل إدراج طقم أنبوب مرشح ثلاثي التجويف.
  4. باستخدام قنينة معقمة، قم بإزالة طقم الأنابيب ثلاثي التجويف من الحزمة. لتجنب حدوث تلف، لا تقم بإلقاء الجهاز على السطح المعقم.
  5. أدخل غطاء الفلتر الخاص بطقم الأنابيب ثلاثي التجويف في مقبس طقم الأنابيب الموجود في مقممة AirSeal iFS (الشكل 1، C).
  6. ادفع النزاع لأسفل على وضع LOCK (مقفل) (الشكل 9). سيتم تشغيل وضع AirSeal تلقائياً.
- ملحوظة:** إذا تم تنشيط وضع AirSeal للأطفال، فيسطلب منك تحديد وضع AirSeal للكبار أو الأطفال. ارجع إلى تعليمات استخدام AirSeal iFS للحصول على تفاصيل عن وضع AirSeal للأطفال.
7. راجع شاشة اللبس في نظام AirSeal iFS لتأكد من وجود مستوى كافٍ من إمداد الغاز (الشكل 1، B).
  8. قم بتحديد إعدادات السريان والضغط المطلوبة للمريض. اضغط على «تأكيد» لتأكيد إعدادات المريض.
  9. قم بإخراج منفذ الدخول AirSeal والغطاء الكاتم للصوص الاختياري (8 مم، 12 مم) من العبوة، وذلك باستخدام أساليب معقمة. لتجنب حدوث تلف، لا تقم بإلقاء الجهاز على السطح المعقم.
  10. يرد منفذ الدخول AirSeal (القضيبي السداد والقنينة) معاً ومجمعاً مسبقاً، لذلك لا توجد حاجة لتجميعه.
  - ملحوظة:** إذا احتاج المنظار إلى تجميع، فأدخل القضيبي السداد في القنينة حتى يتم قفلها بإحكام معاً.
  11. تأكد من تجميع القضيبي السداد والقنينة بشكل صحيح.
  12. اتبع تعليمات الاستخدام المرؤذ من الجهة المصنعة لجهاز منصة الدخول المختار عبر الشرج للتركيب في المستقيم.
  13. أدخل منفذ الدخول في جهاز منصة الدخول عبر الشرج عبر التجويف أو موضع القنينة الملائم. عند إدخال منفذ الدخول في جهاز منصة الدخول عبر الشرج، حركه باستخدام حركة دورانية بمقدار 30 درجة. اضغط على منفذ الدخول بشكل رأسي مستمر مع التحكم في الضغط حتى يتم تثبيته في جهاز منصة الدخول عبر الشرج.
  14. تأكد من إدخال القضيبي السداد والقنينة بشكل صحيح. لا تقم بإزالة القضيبي السداد من مجموعة القنينة في هذا الوقت.
  15. أزل سداة المجمع من جانب الكانيولا على منفذ وصول AirSeal ووصلت النهاية البعيدة لطقم الأنابيب المفلتر الثلاثي التجاويف المرؤذ بفلتر الفحم النشط بمجمع الكانيولا وأحكم الربط.
  - ملاحظة:** إذا لم يتم إحكام ربط طقم أنبوب AirSeal ومنفذ الوصول بشكل مناسب، فقد لا تعكس قراءة الضغط على الجهاز الضغط الذي يتعرض له المريض. يمكن التأكد من إحكام التوصيل بصرياً عند محاذة إحدى الزعانف البيضاء على موصل بوزة الهدف لطقم الأنابيب أعلى منفذ الوصول مباشرة (الشكل 15). عند النظر بشكل مستقيم إلى موصل بوزة الهدف في منفذ الوصول في أثناء توصيل طقم الأنابيب، يجب أن تكون إحدى الزعانف الموجودة على قطعة الموصل في طقم الأنابيب عمودية على منفذ الوصول بشكل مباشر (الشكل 16).
  16. سيتم تنشيط وضع AirSeal تلقائياً. اترك السداة في مكانها حتى تظهر النغمة المسموعة ورسالة التفعيل «AirSeal active» الخضراء.
  17. قم بفصل السداة عن القنينة عن طريق الضغط على الأزرار المزلاجية للسداة لفك ربط الأدايتن.
  18. بمجرد تنشيط وضع AirSeal وإزالة القضيبي السداد من قنينة AirSeal، سيكون معدل السريان تلقائياً.
  - ملحوظة:** يمكن ضبط مستوى تفريغ الدخان إما على المستوى High (مرتفع) أو المستوى Low (منخفض).
  19. يمكن وضع الغطاء الكاتم للصوص الاختياري (8 مم، 12 مم) على القنينة في هذا الوقت، إذا رغبت في ذلك. **ملحوظة:** في حالة استخدام الغطاء الكاتم للصوص الاختياري، توخ الحذر عند إدخال جهاز حاد أو كبير عبر القنينة. يمكن إزالة الغطاء الكاتم للصوص الاختياري من الكانيولا في أي وقت في أثناء الإجراء وتجب إزالته قبل إدخال أي شيء حاد أو كبير في الكانيولا.

20. فور اكتمال الإجراء، اضغط على **STOP** (إيقاف) على شاشة اللمس لإيقاف نفخ **AirSeal** (ملحوظة: سوف يؤدي هذا إلى فقدان استرواح الصفاق). باستخدام أسلوب الجراحة التنظيرية القياسي، قم بإزالة جميع الأجهزة الجراحية وإغلاق مواضع المنافذ المفتوحة المنطبقة بالطريقة الاعتيادية.
- ملحوظة:** عند إكمال الإجراء، سيومض وضع **AirSeal** بإجراء معايرة نهائية قبل إيقاف التشغيل. أثناء هذه العملية، لا يتم تراكم أي ضغط أو نفخ. انتظر حتى اكتمال المعايرة النهائية قبل إزالة طقم الأنابيب ثلاثي التجويف المفلتر بفلتر من الفم المنشط أو إيقاف تشغيل نظام **iFS**.
21. حرك الذراع الموجودة في نظام **AirSeal iFS** لأعلى أو إلى وضع **UNLOCK** (مفتوح).
22. قم بإزالة طقم الأنابيب ثلاثي التجويف المفلتر بفلتر من الفم المنشط من مقبس أطقم الأنابيب بنظام **AirSeal iFS**.
23. نظرًا لأنه من الأفضل إجراء الاختبار الوظيفي أثناء بدء التشغيل الأولي، يجب إجراء دورة طاقة للوحدة (إيقاف تشغيل/تشغيل) قبل كل جراحة.

#### **تعليمات عامة للاستخدام في - وضعي تفرغ الدخان والنفخ القياسي:**

#### **النفخ الأولي بإبرة VERESS**

#### **ملاحظة: ارجع إلى تعليمات استخدام iFS للاطلاع على الميزات المرتبطة باصدارات البرنامج المحددة.**

1. قم بتشغيل نظام **AirSeal iFS** بالضغط على مفتاح التشغيل/إيقاف التشغيل (الشكل 1، A).
2. قم بنهاية الفحص الذاتي التشخيصي، اختر إما وضع تفرغ الدخان أو وضع النفخ القياسي على شاشة اللمس، من قائمة اختيار الأوضاع في نظام **AirSeal iFS** (الشكل 1، B).
3. راجع شاشة اللمس في نظام **AirSeal iFS** لتأكيد من وجود مستوى كافٍ من إمداد الغاز (الشكل 1، B).
4. قم بتوصيل طقم الأنابيب الملائم بنظام **AirSeal iFS** (انظر التعليمات المحددة أدناه لتوصيل طقم الأنابيب ذي الشعبتين لتفريغ الدخان المزود بفلتر من الفم المنشط).
- ملحوظة:** على خلاف أطقم الأنابيب الأخرى، يتصل طقم الأنابيب أحادي التجويف بقضيب التوصيل في أنبوب النفخ في الجانب الأمامي من نظام **AirSeal iFS**.
5. قم بتوصيل الوصلة ذات قفل **Luer** في طقم الأنابيب بطرف إبرة **Veress** أو بالميزل التقليدي بالطريقة المعتادة. (انظر التعليمات المحددة أدناه لتوصيل طقم الأنابيب ذي الشعبتين لتفريغ الدخان المزود بفلتر من الفم المنشط).
6. قم بضبط قيمتي معدل السريان والضغط المرغوبتين على شاشة اللمس الخاصة بنظام **AirSeal iFS**. اضغط على «تأكيد» لتأكيد إعدادات المريض.
7. اضغط على «Start» (ابدا) على شاشة اللمس الخاصة بنظام **AirSeal iFS** وسيبدأ النفخ الأولي.
8. بعد إتمام النفخ الأولي، قم بإدخال الميزل التقليدي المزود بمنافذ **Luer** قياسية.
9. فور اكتمال الإجراء، اضغط على **STOP** (إيقاف) على شاشة اللمس لإيقاف النفخ (ملحوظة: سوف يؤدي هذا إلى فقدان استرواح الصفاق). باستخدام أسلوب الجراحة التنظيرية القياسي، قم بإزالة جميع الأجهزة الجراحية وإغلاق مواضع المنافذ المفتوحة المنطبقة بالطريقة الاعتيادية.
10. قم بفصل طقم الأنابيب عن نظام **AirSeal iFS** (انظر التعليمات المحددة أدناه لفصل طقم الأنابيب ذي الشعبتين لتفريغ الدخان المزود بفلتر من الفم المنشط).
11. نظرًا لأنه من الأفضل إجراء الاختبار الوظيفي أثناء بدء التشغيل الأولي، يجب إجراء دورة طاقة للوحدة (إيقاف تشغيل/تشغيل) قبل كل جراحة.

#### **انظر التعليمات الإضافية أدناه فيما يخص طقم الأنابيب ذي الشعبتين لتفريغ الدخان المزود بفلتر من الفم المنشط**

للاستخدام مع ميزلين تقليديين بمنافذ **Luer** قياسية وطقم الأنابيب ذي الشعبتين لتفريغ الدخان المزود بفلتر من الفم المنشط.

الأنبوب الشفاف: النفخ  
الأنبوب الأزرق: تفرغ الدخان

توصيل طقم الأنابيب ذي الشعبتين لتفريغ الدخان المزود بفلتر من الفم المنشط

#### **ملاحظة: ارجع إلى تعليمات استخدام iFS للاطلاع على الميزات المرتبطة باصدارات البرنامج المحددة.**

1. يجب أن يكون اتجاه الذراع الموجودة في نظام **AirSeal iFS** لأعلى أو في وضع **UNLOCK** (مفتوح) (الشكل 1، D).
2. أدخل غطاء الفلتر الخاص بطقم الأنابيب ذي الشعبتين لتفريغ الدخان المزود بفلتر من الفم المنشط داخل مقبس أطقم الأنابيب الموجود في الجزء الأمامي من نظام **AirSeal iFS** (الشكل 1، C).
3. ادفع الذراع لأسفل إلى وضعية مقفل.
4. قم بتوصيل إبرة **Veress** بالوصلة ذات قفل **Luer** في الأنبوب الشفاف في طقم الأنابيب ذي الشعبتين لتفريغ الدخان المزود بفلتر من الفم المنشط.
5. قم بضبط قيمتي معدل السريان والضغط المرغوبتين على شاشة اللمس الخاصة بنظام **AirSeal iFS**. اضغط على «تأكيد» لتأكيد إعدادات المريض.
6. اضغط على «Start» (ابدا) على شاشة اللمس الخاصة بنظام **AirSeal iFS** وسيبدأ النفخ الأولي.
7. تأكد من إدخال القبتين بشكل صحيح.
8. قم بإزالة إبرة **Veress** وافصلها من طقم الأنابيب ذي الشعبتين لتفريغ الدخان المزود بفلتر من الفم المنشط.
9. قم بتوصيل الوصلة ذات قفل **Luer** في الأنبوب الشفاف في طقم الأنابيب ذي الشعبتين لتفريغ الدخان المزود بفلتر من الفم المنشط بالقتية التقليدية. افتح صمام/محبس التدفق للدخان.
10. اتبع الأوامر الظاهرة على شاشة اللمس الخاصة بنظام **AirSeal iFS**. عند صدور التعليمات، قم بتوصيل الوصلة ذات قفل **Luer** في الأنبوب الأزرق في طقم الأنابيب ذي الشعبتين لتفريغ الدخان المزود بفلتر من الفم المنشط بقتية تقليدية مختلفة. سيبدأ النفخ نشطًا.
11. عند توصيل الوصلة ذات قفل **Luer** في الأنبوب الأزرق في طقم الأنابيب ذي الشعبتين لتفريغ الدخان المزود بفلتر من الفم المنشط بالقتية الثانية التقليدية، يتم تنشيط تفرغ الدخان.

الحوادث الخطيرة - أبلغ قسم خدمة عملاء **CONMED** أو ممثل **CONMED** المحلي لديك على الفور بأي حوادث خطيرة تتعلق باستخدام هذا الجهاز.

البريد الإلكتروني: [CustomerExperience@CONMED.com](mailto:CustomerExperience@CONMED.com)

إزالة طقم الأنابيب ذي الشعبتين لتفريغ الدخان المزود بفلتر من الفم المنشط

#### **ملاحظة: ارجع إلى تعليمات استخدام iFS للاطلاع على الميزات المرتبطة باصدارات البرنامج المحددة.**

1. فور اكتمال الإجراء، اضغط على **STOP** (إيقاف) على شاشة اللمس لإيقاف النفخ (ملحوظة: سوف يؤدي هذا إلى فقدان استرواح الصفاق). باستخدام أسلوب الجراحة التنظيرية القياسي، قم بإزالة جميع الأجهزة الجراحية وإغلاق مواضع المنافذ المفتوحة المنطبقة بالطريقة الاعتيادية.
2. حرك الذراع الموجودة في نظام **AirSeal iFS** لأعلى أو إلى وضع **UNLOCK** (مفتوح).
3. قم بإزالة طقم الأنابيب ذي الشعبتين لتفريغ الدخان المزود بفلتر من الفم المنشط من مقبس أطقم الأنابيب في نظام **AirSeal iFS**.
4. نظرًا لأنه من الأفضل إجراء الاختبار الوظيفي أثناء بدء التشغيل الأولي، يجب إجراء دورة طاقة للوحدة (إيقاف تشغيل/تشغيل) قبل كل جراحة.

#### **التخلص من المنتج**

تخلص من الجهاز وفقًا لمتطلبات المستشفى المحلي.

#### **كيفية توريد المنتج**

يتم توريد كل من منفذ وصول **AirSeal** البصري، ومنفذ وصول **AirSeal** صغير الحجم، والغطاء الكاتم للصوت الاختياري (8 مم، 12 مم)، ومنفذ وصول **AirSeal** ذي الرأس غير المدبب، وكابولي **AirSeal**، وطقم الأنبوب المتشعب لطرد الدخان المزود بفلتر الفم المنشط، وطقم الأنبوب المفلتر الثلاثي التجويف بفلتر الفم المنشط، وطقم الأنبوب أحادي التجويف، ومهايئ **AirSeal** الأحادي التجويف مَعْمُمةً بأشعة جاما للاستخدام مع مريض واحد فقط. يتم التخلص منها بعد الاستخدام. منافذ دخول **AirSeal** والأغطية الكاملة للصوت وطقم الأنابيب ليست مصنوعة من مطاط اللاتكس الطبيعي.

نظام **AirSeal iFS** غير معقم وقابل لإعادة استخدامه.

**AirSeal®** هي علامة تجارية مسجلة لمصالح **CONMED Corporation**.

**Rx ONLY** تنبيه: يحظر القانون الفيدرالي (الولايات المتحدة الأمريكية) بيع هذا الجهاز إلا بواسطة طبيب أو بائع منه.

**AirSeal® iFS****Порт доступа AirSeal®**

Порты доступа: с оптическим наконечником без лезвия, низкопрофильный с оптическим наконечником без лезвия, с оптическим наконечником без лезвия Palm Grip, с тупым кончиком

**AirSeal® Комплекты трубок с фильтрами**

Комплекты трубок с фильтрами: трехпросветный с угольным фильтром, раздвоенный с угольным фильтром для удаления дыма, однопросветный

**Схема. Иллюстрация и номенклатура**

<p><b>AirSeal iFS (рис. 1)</b></p> <p>A. Выключатель (On/Off)            B. Сенсорный экран            C. Режимы для подключения AirSeal и удаления дыма            D. Рычаг для установки фиксирующей трубки            E. Подключение инсuffляционной трубки для режима стандартной инсuffляции</p> <p><b>Порты доступа без лезвия (рис. 2/3)</b></p> <p>A. Пробка патрубка            B. Канюля            C. Обтуратор с оптическим наконечником без лезвия            D. Зашелка канюли</p> <p><b>Порты доступа с тупым кончиком (рис. 4)</b></p> <p>A. Пробка патрубка            B. Канюля            C. Обтуратор с тупым кончиком            D. Подпружиненный якорь — якорное устройство, фиксируемое швом</p> <p><b>Дополнительная звуковая крышка (рис. 5)</b></p>	<p><b>Комплекты трубок (рис. 6/7/8)</b></p> <p>A. Фильтр            B. Трубка 2,44–3,05 м (8–10 футов)            C. Наконечник Люэра            D. Однопросветный преобразователь в сборе            E. Держатель</p> <p><b>Режим AirSeal (рис. 9)</b></p> <p><b>Режим удаления дыма (рис. 10)</b></p> <p><b>Режим стандартной инсuffляции (рис. 11)</b></p> <p><b>Введение эндоскопа (рис. 12)</b></p> <p>A. Порт доступа AirSeal            B. Эндоскоп подходящего размера</p> <p><b>Выведение эндоскопа (рис. 13)</b></p> <p>A. Вращение эндоскопа при его выведении помогает уменьшить необходимое для введения усилие</p> <p><b>Извлечение эндоскопа (рис. 14)</b></p> <p>A. Отведение эндоскопа            B. Нажмите здесь, чтобы высвободить канюлю</p> <p><b>Вид сверху на порт доступа AirSeal с правильным подключением к комплекту шлангов AirSeal (рис. 15)</b></p> <p>A. Ребро соединителя комплекта шлангов «бычий глаз»</p> <p><b>Вид спереди на порт доступа AirSeal с правильным подключением к комплекту шлангов AirSeal (рис. 16)</b></p> <p>A. Ребро соединителя комплекта шлангов «бычий глаз»</p>
--	--

**ВАЖНО! ПРЕЖДЕ ЧЕМ ИСПОЛЬЗОВАТЬ ИЗДЕЛИЕ, ТЩАТЕЛЬНО ИЗУЧИТЕ СЛЕДУЮЩУЮ ИНФОРМАЦИЮ.**

Назначение этой брошюры — оказать помощь при использовании изделия. Она не является справочным материалом по методике проведения хирургических вмешательств. В дополнение, полная инструкция по работе с AirSeal iFS во всех режимах эксплуатации приведена в Инструкции по применению AirSeal iFS.

**ПОКАЗАНИЯ К ПРИМЕНЕНИЮ:**

Система CONMED AirSeal® iFS предназначена для применения при диагностических и (или) терапевтических эндоскопических процедурах в целях расширения полости путем наполнения ее газом, создания и поддержания путей доступа для эндоскопических инструментов, а также для удаления дыма, образующегося при хирургическом вмешательстве. Система предназначена для абдоминальных, торакальных и педиатрических процедур, для облегчения использования различных тороаскопических и лапароскопических инструментов посредством наполнения полости газом для ее расширения, обеспечения и поддержания с помощью газа беспрепятственных путей доступа для инструментов, а также удаления образующегося при хирургическом вмешательстве дыма. Система может применяться также для расширения прямой и толстой кишки, чтобы обеспечить эндоскопический контроль, диагностические и терапевтические вмешательства. Трояк AirSeal® iFS показан к применению как при наличии, так и при отсутствии визуализации.

**Система AirSeal iFS имеет три режима эксплуатации:**

1. Режим AirSeal (рис. 9)
2. Режим удаления дыма (рис. 10)
3. Режим стандартной инсuffляции (рис. 11)

**Режим AirSeal:**

При эксплуатации в режиме AirSeal, система AirSeal iFS предназначена для подачи газообразного CO<sub>2</sub> при поддержании стабильного пневмоперитонеума и постоянного удаления дыма в ходе лапарозендоскопического хирургического вмешательства и требует использования системы AirSeal iFS, порта доступа AirSeal и трехпросветного комплекта трубок AirSeal с угольным фильтром. Трехпросветный комплект трубок с угольным фильтром используется для подключения порта доступа AirSeal к системе AirSeal iFS (рис. 9).

**Режим удаления дыма:**

При эксплуатации в режиме удаления дыма система AirSeal iFS предназначена для подачи газообразного CO<sub>2</sub> и постоянного удаления дыма в ходе лапарозендоскопического хирургического вмешательства. С этой целью необходимо использование системы AirSeal iFS, двух обычных (не AirSeal) трояков со стандартными наконечниками Люэра и раздвоенного комплекта трубок для удаления дыма с угольным фильтром. При подаче газообразного CO<sub>2</sub> и удалении дыма для подключения раздвоенного комплекта трубок для удаления дыма с угольным фильтром применяются два стандартных трояка. Раздвоенный комплект трубок с угольным фильтром для удаления дыма имеет раздвоенный конец и подключается к системе AirSeal iFS с помощью двух стандартных трояков (рис. 10).

**Режим стандартной инсuffляции**

При эксплуатации в режиме стандартной инсuffляции система AirSeal iFS подает газообразный CO<sub>2</sub> и в ходе лапарозендоскопического хирургического вмешательства проводит стандартную инсuffляцию, сходную с проводимой коммерческими инсuffляторами. При этом требуется использование AirSeal iFS — коммерчески доступного (не AirSeal) трояка со стандартным наконечником Люэра и однопросветным комплектом трубок с фильтром. Для обеспечения стандартной инсuffляции и подачи газообразного CO<sub>2</sub>, наконечник Люэра на трояке подключается к однопросветному комплекту трубок с фильтром. Для соединения одного стандартного трояка с системой AirSeal iFS применяется однопросветный комплект трубок с фильтром (рис. 11).

**Порт доступа AirSeal имеет две возможные конфигурации:**

1. Порт доступа с оптическим наконечником без лезвия (рис. 2 и 3)
2. Порт доступа с тупым кончиком (рис. 4)

Если для обеспечения первичного доступа используются любые порты доступа с оптическим наконечником без лезвия, рекомендуется использовать лапароскоп для обеспечения визуализации, чтобы повысить безопасность доступа в брюшную полость.

**Комплекты трубок AirSeal имеют три возможных конфигурации:**

1. Трехпросветный комплект трубок с угольным фильтром (рис. 6)
2. Раздвоенная система трубок с угольным фильтром для удаления дыма (рис. 7)
3. Однопросветный комплект трубок с фильтром (рис. 8)

Убедитесь в том, что используется комплект трубок, соответствующий выбранному режиму эксплуатации AirSeal iFS. При присоединении несоответствующего комплекта трубок выбранный режим эксплуатации AirSeal iFS не включится, и появится предупредительное сообщение.

Комплекты трубок с фильтрами не предназначены для забора жидкости. При попадании в фильтр жидкости на сенсорном экране AirSeal iFS появится предупредительное сообщение. Если это произойдет, проверьте расположение каноли и подготовьтесь к замене комплекта трубок.

#### ПРЕДУПРЕЖДЕНИЯ.

- Несоблюдение инструкции по применению может привести к серьезным хирургическим последствиям.
- Компоненты системы AirSeal должны использоваться исключительно квалифицированными врачами, обладающими знаниями и опытом, а также прошедшими обучение лапароскопическим методам.
- Данная инструкция по применению не содержит описаний или инструкций по методам проведения хирургических вмешательств или лапароскопических процедур. Ответственность за определение надлежащего типа выполняемой процедуры, способов применения данных изделий и конкретной методики применительно к данному пациенту ложится на врача, выполняющего процедуру.
- Прилагаемые компоненты системы AirSeal являются стерильными только в том случае, если они используются до истечения срока годности, их упаковка не вскрыта и не повреждена. НЕ используйте изделия, если истек их срок годности или их упаковка была ранее вскрыта или повреждена.
- Все устройства одноразового применения, входящие в состав системы AirSeal (порты доступа и комплекты трубок), упакованы и стерилизованы исключительно для использования у одного пациента. Не используйте, не обрабатывайте и не стерилизуйте эти устройства повторно. Повторное использование, обработка или стерилизация могут нарушить структурную целостность и (или) привести к отказу устройства, что, в свою очередь, способно привести к травме, заболеванию или смерти пациента. Кроме того, повторная обработка или стерилизация устройств одноразового применения может создать риск загрязнения и (или) привести к инфекции или перекрестному заражению пациента, включая в числе прочего передачу инфекционных заболеваний от одного пациента к другому. Загрязнение устройства может привести к травме, заболеванию или смерти пациента.
- Не погружайте кончик каноли в промывочные жидкости или биологические жидкости организма.
- Система AirSeal iFS подает звуковой сигнал тревоги, если будут заблокированы охлаждающие вентиляционные отверстия на боковых сторонах или на дне консоли управления. В случае сигнала тревоги проверьте, не заблокированы ли охлаждающие вентиляционные отверстия.
- Если вышеописанные причины НЕ наблюдаются, а сигнал тревоги все равно подается, то прекратите использовать систему AirSeal iFS и возвратите ее изготовителю для обслуживания.

#### МЕРЫ ПРЕДОСТОРОЖНОСТИ:

- Наступление пневмоперитонеума сопровождается известными физиологическими осложнениями, в том числе сокращением венозного возврата, снижением систолического выброса, снижением функции почек, увеличением внутричерепного давления, ухудшением проходимости дыхательных путей и снижением динамической податливости легких.
- Минимально инвазивные хирургические процедуры должны выполняться исключительно лицами, прошедшими соответствующее обучение, обладающими опытом и навыками проведения хирургических процедур минимально инвазивными методами. Перед выполнением любой минимально инвазивной процедуры изучите медицинскую литературу, посвященную методам, осложнениям и рискам в связи с такими процедурами.
- Чтобы избежать опасности шокового и ожогового поражения как пациента, так и медицинского персонала, а также повреждения устройства или других медицинских инструментов, необходимо тщательно изучить принципы и методы проведения лазерных, электрохирургических и ультразвуковых процедур. Убедитесь, что электрическая изоляция и заземление не нарушены.
- Возможность захвата воздуха существует в следующих условиях:
  - приложение сильного внешнего давления к животу пациента;
  - тяжелая и продолжительная утечка через другие ранее установленные стандартные порты доступа или открытое рассечение;
  - тяжелое и продолжительное всасывание.
- В вышеописанных условиях вытеснение инсuffлируемого газа воздухом носит временный характер, и вовлеченный воздух будет вновь вытеснен CO<sub>2</sub>.
- Во время колоректальной процедуры не рекомендуется превышать давление инсuffляции свыше 15 мм. рт. ст.
- Инсuffляция брюшной полости утолщенным газом под более высоким давлением (>15 мм рт. ст.) может привести к повышению риска гиперкапнии, подкожной эмфиземы, медиастинальной эмфиземы, пневмоторакса, пневмосклероза и задержки мочеиспускания.
- При использовании дополнительного звукового фильтра (8 мм, 12 мм):
  - перед использованием проверьте пеноматериал и уплотнение звукового фильтра;
  - после любого использования следует проверять звуковой фильтр на предмет физических повреждений.
- При введении порта доступа AirSeal проявляйте крайнюю осторожность. Применение этого изделия ненадлежащим образом может привести к угрожающему жизни повреждению внутренних органов и сосудов.
  - Убедитесь в создании достаточного пневмоперитонеума или пневморектума
  - Убедитесь в надлежащем расположении пациента, чтобы внутренние органы пациента не находились в месте введения изделия
  - Направляйте кончик порта доступа AirSeal в сторону от важных сосудов и органов
  - Убедитесь в том, что внешняя стенка порта доступа AirSeal соприкасается только с тканями, не зажата между твердыми поверхностями, такими как другие инструменты или кость, и не сталкивается с ними. Длительный или внезапный контакт с твердыми поверхностями может привести к повреждению или поломке порта доступа.
  - Не прилагайте чрезмерные усилия, направленные вниз
- Через порт доступа AirSeal следует пропускать только ручные хирургические инструменты. НЕ вставляйте троакары или роботизированные инструменты в порт доступа AirSeal. Неправильное использование может привести к повреждению или поломке порта доступа.
- Конструкция порта доступа с оптическим наконечником без лезвия рассчитана на сведение к минимуму вероятности проникающей травмы анатомических органов. Тем не менее, необходимо соблюдать стандартные меры предосторожности, принимаемые во всех случаях введения подобных инструментов.
- Хотя кончик порта доступа с оптическим наконечником без лезвия не имеет лезвия, необходимо проявлять осторожность, как и в случае использования всех подобных устройств, чтобы избежать повреждения крупных сосудов и других анатомических органов (таких как кишечник или брыжейка). Чтобы свести к минимуму риск такого повреждения, необходимо:
  - обеспечить надлежащий пневмоперитонеум или пневморектум;
  - правильно расположить пациента, чтобы переместить его органы подальше от области введения инструмента;
  - определить важные анатомические ориентиры;
  - направлять кончик порта доступа AirSeal в сторону от важных сосудов и органов;
  - не применять чрезмерных или неконтролируемых усилий;
  - применять методику оптического введения где только это возможно.
- После выполнения частичного доступа необходимо оказывать очень легкое давление для получения полного доступа. Чрезмерное давление может привести к повреждению основных анатомических структур.
- После обеспечения надлежащего доступа лапароскопическим методом не следует дополнительно продвигать порт доступа с оптическим наконечником без лезвия вперед. Продолжение ввода в данную точку порта доступа может привести к повреждению основных анатомических структур.
- После обеспечения безопасного надлежащего доступа убедитесь в том, что черная линия на дистальном кончике порта доступа AirSeal видна в пределах полости в течение всего времени использования порта доступа AirSeal для инсuffляции.
- Не предпринимайте попыток вторичных проколов троакаром до тех пор, пока не будет завершено создание первичного места доступа и не будет достигнуто рекомендованное давление в брюшной полости (обычно 12–18 мм рт. ст.).
- После удаления каноли из полости всегда проверяйте гемостаз в месте введения. Если гемостаз отсутствует, его необходимо обеспечить надлежащими методами.
- Трехпросветный комплект трубок с угольным фильтром и раздвоенный комплект трубок с угольным фильтром для удаления дыма оснащены датчиками жидкости для контроля уровня жидкости в фильтрах и для предупреждения пользователей о возможном загрязнении устройства. Если сифон в корпусе фильтра заполняется жидкостью до уровня **Low** (Низкий), на сенсорном экране отображается предупредительное

сообщение и подается звуковой сигнал. Проверьте положение канюли и шланга, чтобы по возможности не допускать затекания жидкости в фильтр. На этом этапе снова вставьте обтуратор в порт доступа AirSeal и замените комплект трубок с фильтром.

- Инструменты или устройства, контактировавшие с биологическими жидкостями, могут потребовать особого обращения при удалении в отходы, чтобы избежать биологического загрязнения.

## ПРОТИВОПОКАЗАНИЯ

Система AirSeal iFS противопоказана к применению, когда имеются противопоказания к применению минимально инвазивных лапароскопических процедур.

**ВАЖНО:** этот вкладыш содержит инструкцию по применению. Он не является справочным материалом или руководством по методам введения троакаров. Успех применения троакара с оптическим наконечником без лезвия в качестве первичного порта после инсуффляции зависит от правильности распознавания и дифференциации слоев ткани. Вследствие этого неопытным пользователям рекомендуется использовать троакары с оптическим наконечником в качестве вторичного порта после инсуффляции, чтобы накопить опыт и получить навыки визуализации слоев ткани в ходе выполнения процедуры. Только после приобретения опыта применения вышеупомянутой методики троакары с оптическим наконечником следует применять в качестве первичного порта после инсуффляции.

**Примечание.** Визуально проверьте систему(-ы) стерильного барьера на любые проблемы с целостностью упаковки, которые могут оказать влияние на стерильность, перед асептической презентацией. Не используйте изделие в случае обнаружения каких-либо нарушений системы стерильного барьера.

## ИНСТРУКЦИЯ ПО ПРИМЕНЕНИЮ

**Общая инструкция по применению порта доступа AirSeal в режиме AirSeal:**

**Примечание. Обратитесь к Инструкции по применению iFS для получения информации о функциях, связанных с конкретными версиями программного обеспечения.**

1. Включите (ON) систему AirSeal iFS, нажав на выключатель (On/Off) (рис. 1, A).
  2. Рычаг на AirSeal iFS должен находиться в верхнем положении, т. е. в положении UNLOCK (ОТКРЫТО) (рис. 1, D).
  3. Дождитесь завершения начальной самопроверки, прежде чем устанавливать трехпросветный комплект трубок с фильтром.
  4. Соблюдая стерильность, извлеките трехпросветный комплект трубок из упаковки. Чтобы избежать повреждений, не бросайте устройство на стерильное поле.
  5. Введите корпус фильтра трехпросветного комплекта трубок в гнездо для комплекта трубок, расположенное на передней панели AirSeal iFS (рис. 1, C).
  6. Переведите рычаг вниз, в положение LOCK (Закрыто) (рис. 9). Режим AirSeal запустится автоматически.
- Примечание.** Если активирован педиатрический режим AirSeal, будет предложено выбрать взрослый или педиатрический режим AirSeal. Подробные сведения о педиатрическом режиме AirSeal см. в Инструкции по применению AirSeal iFS.
7. Используйте меню на сенсорном экране AirSeal iFS, убедитесь, что обеспечивается достаточный уровень подачи газа (рис. 1, B).
  8. Выберите требуемые настройки потока и давления для пациента. Нажмите «Confirm» (Подтвердить), чтобы подтвердить настройки пациента.

**Ниже приведены дальнейшие инструкции относительно обеспечения доступа с помощью иглы Вереша и порта доступа с оптическим наконечником без лезвия. Эта методика не применяется при тупоконечном доступе в брюшную полость (типа Хассона).**

**Если методика доступа с помощью иглы Вереша не применяется, перейдите к действию 9.**

- Однопросветная трубка-адаптер заранее присоединена к трехпросветному комплекту трубок с угловым фильтром.
- Присоедините однопросветную трубку с адаптером к наконечнику Люэра на игле Вереша и введите в соответствии с инструкциями производителя.
- Установите требуемые значения потока и давления на сенсорном экране AirSeal iFS.
- Нажмите кнопку «Start» (Пуск) на сенсорном экране AirSeal iFS, после чего начнется начальная инсуффляция.
- По достижении начальной инсуффляции отсоедините трехпросветный комплект трубок с угловым фильтром от однопросветной трубки с адаптером.
- Удалите иглу Вереша.

**Если порт доступа AirSeal не используется в качестве первого вводимого троакара, оставьте однопросветную трубку с адаптером соединенной с трехпросветным комплектом трубок с угловым фильтром и переместите однопросветную трубку с адаптером на наконечник Люэра стандартного троакара, введенного первым. Удалите однопросветную трубку с адаптером только после введения порта доступа AirSeal.**

9. Соблюдая стерильность, извлеките порт доступа AirSeal и дополнительный звуковой фильтр (8 мм, 12 мм) из упаковки. Чтобы избежать повреждений, не бросайте устройство на стерильное поле.
10. Порт доступа AirSeal (обтуратор и канюля) поставляются упакованными и предварительно собранными. Примечание. При необходимости сборки порта доступа введите обтуратор в канюлю так, чтобы они вместе надежно зафиксировались.
11. Убедитесь в том, что обтуратор и канюля собраны в одно целое надлежащим образом. **Примечание.** При использовании порта доступа с тупым кончиком убедитесь, что подпружиненный якорь также находится на месте (рис. 4, D).
12. Выполните рассечение согласно стандартной хирургической методике. (Примечание. Рассечение должно соответствовать диаметру канюли. Недостаточное рассечение может привести к усилению сопротивления введению троакара и к тому, что для проникновения потребуется большее усилие, что может привести к потере управления при введении.)

**Собранный порт доступа готов к введению. При применении порта доступа с тупым кончиком используйте надлежащую лапароскопическую методику (типа Хассона).**

13. Введите порт доступа через кожное рассечение, поворачивая его от угла 30° до угла 90°. Прилагайте к ручке непрерывное контролируемое давление.
  14. Убедитесь в том, что порт доступа введен надлежащим образом. При этом не отделяйте обтуратор от канюли. **Примечание.** При использовании порта доступа с тупым кончиком, подпружиненный якорь должен быть обычным способом зафиксирован на животе пациента с помощью хирургической нити.
  15. Убедитесь в том, что черная линия на дистальном кончике порта доступа AirSeal видна в пределах полости в течение всего времени использования порта доступа AirSeal для инсуффляции.
  16. Удалите пробку патрубка с боковой стороны канюли на порте доступа AirSeal, присоедините дистальный конец трехпросветного комплекта трубок с угловым фильтром к патрубку канюли и затяните соединение.
- Примечание.** Если комплект шлангов AirSeal и порт доступа не затянуты должным образом, показания давления на устройстве могут не отражать давление, испытываемое пациентом. Надежное соединение можно визуально подтвердить, когда одно из белых ребер на соединителе комплекта шлангов «бычий глаз» совмещается непосредственно с верхней частью порта доступа (рис. 15). Если смотреть прямо в «бычий глаз» порта доступа, когда комплект шлангов подключен, одно из ребер на соединительной части комплекта шлангов должно располагаться прямо вертикально по отношению к порту доступа (рис. 16).
17. AirSeal активируется автоматически. Оставьте обтуратор на месте, пока не прозвучит звуковой сигнал и не откроется зеленое сообщение «AirSeal active» (AirSeal активен).
  18. Извлеките обтуратор из канюли, сжав кнопки защелки канюли, чтобы высвободить два устройства. **Примечание.** Порт доступа с тупым концом не имеет кнопки защелки, поэтому обтуратор можно извлечь из канюли, просто потянув за него.
  19. После активации режима AirSeal и извлечения обтуратора из канюли AirSeal скорость потока будет обеспечиваться автоматически.
- Примечание.** Вы можете изменить уровень удаления дыма, установив значение High (Высокий) или Low (Низкий).
20. При необходимости в этот момент можно установить на канюле звуковой фильтр (8 мм, 12 мм). **Примечание.** При использовании дополнительного звукового фильтра необходимо проявлять осторожность при введении большого или острого устройства через канюлю. Дополнительный звуковой фильтр можно снять с канюли в любой момент во время процедуры, и его следует снимать перед введением в канюлю острых или крупных предметов.)

21. По завершении процедуры нажмите **STOP** (Стоп) на сенсорном экране, чтобы остановить инсuffляцию AirSeal. **(Примечание.** Это приведет к потере пневмоперитонеума). Применяя стандартную лапароскопическую методику, извлеките все хирургические устройства и закройте все соответствующие порты доступа обычным методом. **Примечание.** По окончании процедуры режим AirSeal пройдет окончательную калибровку перед выключением. В ходе этой процедуры давление не создается и инсuffляция не происходит. Дождитесь завершения окончательной калибровки перед удалением трехцветного комплекта трубок с угольным фильтром или отключением IFS.
22. Переведите рычаг на AirSeal IFS в верхнее положение, т. е. в положение UNLOCK (ОТКРЫТО).
23. Извлеките трехцветный комплект трубок с угольным фильтром из гнезда для комплекта трубок системы AirSeal IFS.
24. Во время самотестирования прибор проходит контроль работоспособности. Поэтому перед каждой операцией нужно выключать и заново включать прибор.

**Ниче см. дальнейшие инструкции относительно введения порта доступа с оптическим наконечником без лезвия с применением эндоскопа.**  
**Примечание. Обратитесь к Инструкции по применению IFS для получения информации о функциях, связанных с конкретными версиями программного обеспечения.**

1. Подключите эндоскоп 0° к источнику света и осуществляйте мониторинг согласно инструкции изготовителя. Проверьте, правильно ли подключен эндоскоп, и убедитесь в четкости изображения на мониторе.
2. Введите эндоскоп в отверстие на проксимальном конце ручки порта доступа с оптическим наконечником без лезвия так, чтобы он достиг дистального кончика порта доступа. (Введение эндоскопа; рис. 12).
3. Поверните эндоскоп так, как это необходимо. (Введение эндоскопа; рис. 13)
4. Чтобы получить четкое изображение на мониторе, введите эндоскоп в ручку порта доступа с оптическим наконечником без лезвия, приложите оптический наконечник к удобной мягкой поверхности и сфокусируйте камеру.
5. Выполните рассечение согласно стандартной хирургической методике. **(Примечание.** Рассечение должно соответствовать диаметру канюли. Недостаточное рассечение может привести к усилению сопротивления введению троакара и к тому, что для проникновения потребуется большее усилие, что может привести к потере управления при введении.) Введите порт доступа через кожное рассечение, поворачивая его от угла 30° до угла 90°. Прилагайте к ручке непрерывное контролируемое давление.
6. При введении порта доступа наблюдайте за прохождением порта доступа через отдельные слои ткани с помощью лапароздоскопа. По мере продвижения порта доступа будут видны отдельные слои ткани.
7. Извлеките лапароздоскоп из порта доступа с оптическим наконечником без лезвия (Извлечение эндоскопа; рис. 14).
8. Продолжите процедуру в соответствии с вышеприведенными инструкциями, начиная с действия 13.

## **ИНСТРУКЦИЯ ПО ПРИМЕНЕНИЮ**

### **Инструкция по применению порта доступа AirSeal в режиме AirSeal во время трансанальной процедуры:**

**Примечание. Обратитесь к Инструкции по применению IFS для получения информации о функциях, связанных с конкретными версиями программного обеспечения.**

1. Включите (ON) систему AirSeal IFS, нажав на выключатель (On/Off) (рис. 1, A).
2. Рычаг на AirSeal IFS должен находиться в верхнем положении, т. е. в положении UNLOCK (ОТКРЫТО) (рис. 1, D).
3. Дождитесь завершения начальной самопроверки, прежде чем устанавливать трехцветный комплект трубок с фильтром.
4. Соблюдая стерильность, извлеките трехцветный комплект трубок из упаковки. Чтобы избежать повреждений, не бросайте устройство на стерильное поле.
5. Введите корпус фильтра трехцветного комплекта трубок в гнездо для комплекта трубок, расположенное на передней панели AirSeal IFS (рис. 1, C).
6. Переведите рычаг вниз, в положение LOCK (Закрyто) (рис. 9). Режим AirSeal запустится автоматически.
- Примечание.** Если активирован педиатрический режим AirSeal, будет предложено выбрать взрослый или педиатрический режим AirSeal. Подробные сведения о педиатрическом режиме AirSeal см. в Инструкции по применению AirSeal IFS.
7. Используя меню на сенсорном экране AirSeal IFS, убедитесь, что обеспечивается достаточный уровень подачи газа (рис. 1, B).
8. Выберите требуемые настройки потока и давления для пациента. Нажмите «Confirm» (Подтвердить), чтобы подтвердить настройки пациента.
9. Соблюдая стерильность, извлеките порт доступа AirSeal и дополнительный звуковой фильтр (8 мм, 12 мм) из упаковки. Чтобы избежать повреждений, не бросайте устройство на стерильное поле.
10. Порт доступа AirSeal (обтуратор и канюля) поставляются упакованными и предварительно собранными.
- Примечание.** При необходимости сборки порта доступа введите обтуратор в канюлю так, чтобы они вместе надежно зафиксировались.
11. Убедитесь в том, что обтуратор и канюля собраны в одно целое надлежащим образом.
12. Следуйте инструкциям изготовителя выбранного устройства доступа трансанальной платформы относительно ее размещения в прямой кишке.
13. Вставьте порт доступа в устройство доступа трансанальной платформы через надлежащий просвет или место в канюле. Вводя порт доступа через устройство доступа трансанальной платформы, поворачивайте его от угла 30° до угла 90°. Применяйте к порту доступа непрерывное, но контролируемое осевое давление до его закрепления в устройстве доступа трансанальной платформы.
14. Убедитесь в том, что обтуратор и канюля введены надлежащим образом. Пока еще не удалите обтуратор от сборки канюли.
15. Удалите пробку патрубку с боковой стороны канюли на порте доступа AirSeal, присоедините дистальный конец трехцветного комплекта трубок с угольным фильтром к патрубку канюли и затяните соединение.
- Примечание.** Если комплект шлангов AirSeal и порт доступа не затянуты должным образом, показания давления на устройстве могут не отражать давление, испытываемое пациентом. Надежное соединение можно визуально подтвердить, когда одно из белых ребер на соединителе комплекта шлангов «бычий глаз» совмещается непосредственно с верхней частью порта доступа (рис. 15). Если смотреть прямо в «бычий глаз» порта доступа, когда комплект шлангов подключен, одно из ребер на соединительной части комплекта шлангов должно располагаться прямо вертикально по отношению к порту доступа (рис. 16).
16. AirSeal активируется автоматически. Оставьте обтуратор на месте, пока не прозвучит звуковой сигнал и не откроется зеленое сообщение «AirSeal active» (AirSeal активен).
17. Извлеките обтуратор из канюли, сжав кнопки защелки канюли, чтобы высвободить два устройства.
18. После активации режима AirSeal и извлечения обтуратора из канюли AirSeal скорость потока будет обеспечиваться автоматически.
- Примечание.** Вы сможете изменить уровень удаления дыма, установив значение High (Высокий) или Low (Низкий).
19. При необходимости в этот момент можно установить на канюле звуковой фильтр (8 мм, 12 мм). **(Примечание.** При использовании дополнительного звукового фильтра необходимо проявлять осторожность при введении большого или острого устройства через канюлю. Дополнительный звуковой фильтр можно снять с канюли в любой момент во время процедуры, и его следует снимать перед введением в канюлю острого или крупного предмета.)
20. По завершении процедуры нажмите **STOP** (Стоп) на сенсорном экране, чтобы остановить инсuffляцию AirSeal. **(Примечание.** Это приведет к потере пневмоперитонеума). Применяя стандартную лапароскопическую методику, извлеките все хирургические устройства и закройте все соответствующие порты доступа обычным методом.
- Примечание.** По окончании процедуры режим AirSeal пройдет окончательную калибровку перед выключением. В ходе этой процедуры давление не создается и инсuffляция не происходит. Дождитесь завершения окончательной калибровки перед удалением трехцветного комплекта трубок с угольным фильтром или отключением IFS.
21. Переведите рычаг на AirSeal IFS в верхнее положение, т. е. в положение UNLOCK (ОТКРЫТО).
22. Извлеките трехцветный комплект трубок с угольным фильтром из гнезда для комплекта трубок системы AirSeal IFS.
23. Во время самотестирования прибор проходит контроль работоспособности. Поэтому перед каждой операцией нужно выключать и заново включать прибор.

## Общая инструкция по применению — в режимах удаления дыма и стандартной инсuffляции:

### НАЧАЛЬНАЯ ИНСУФЛЯЦИЯ С ПРИМЕНЕНИЕМ ИГЛЫ ВЕРЕША

**Примечание. Обратитесь к Инструкции по применению iFS для получения информации о функциях, связанных с конкретными версиями программного обеспечения.**

1. Включите (ON) систему AirSeal iFS, нажав на выключатель (On/Off) (рис. 1, A).
2. По завершении начальной самопроверки выберите в меню пользователя на сенсорном экране AirSeal iFS режим удаления дыма или режим стандартной инсuffляции (рис. 1, B).
3. Используя меню на сенсорном экране AirSeal iFS, убедитесь, что обеспечивается достаточный уровень подачи газа (рис. 1, B).
4. Подключите требуемый комплект трубок к системе AirSeal iFS. (См. ниже специальные инструкции по присоединению раздвоенного комплекта трубок с угольным фильтром для удаления дыма).

**Примечание.** В отличие от других комплектов трубок, однопросветный комплект трубок присоединяют к стойке подключения инсuffляционной трубки на передней панели AirSeal iFS.

5. Присоедините соединительный наконечник Люэра комплекта трубок к концу иглы Вереша или к стандартному троакару обычным методом. (См. ниже специальные инструкции по присоединению раздвоенного комплекта трубок с угольным фильтром для удаления дыма).
6. Установите требуемые значения потока и давления на сенсорном экране AirSeal iFS. Нажмите «Confirm» (Подтвердить), чтобы подтвердить настройки пациента.
7. Нажмите кнопку «Start» (Пуск) на сенсорном экране AirSeal iFS, после чего начнется начальная инсuffляция.
8. По достижении начальной инсuffляции **введите обычный троакар со стандартными портами Люэра.**
9. По завершении процедуры нажмите **STOP** (Stop) на сенсорном экране, чтобы остановить инсuffляцию. (**Примечание.** Это приведет к потере пневмоперитонеума). Применяя стандартную лапароскопическую методику, извлеките все хирургические устройства и закройте все соответствующие порты доступа обычным методом.
10. Удалите комплект трубок с AirSeal iFS (См. ниже специальные инструкции по удалению раздвоенного комплекта трубок с угольным фильтром для удаления дыма).
11. Во время самотестирования прибор проходит контроль работоспособности. Поэтому перед каждой операцией нужно выключать и заново включать прибор.

### См. ниже дальнейшие инструкции относительно раздвоенного комплекта трубок с угольным фильтром для удаления дыма

#### **Для использования с двумя обычными троакарами со стандартными портами Люэра и раздвоенный комплект трубок с угольным фильтром для удаления дыма.**

Прозрачная трубка: инсuffляция

Синяя трубка: Smoke Evacuation

#### Прикрепление раздвоенного комплекта трубок с угольным фильтром для удаления дыма

**Примечание. Обратитесь к Инструкции по применению iFS для получения информации о функциях, связанных с конкретными версиями программного обеспечения.**

1. Рычаг на AirSeal iFS должен находиться в верхнем положении, т. е. в положении UNLOCK (ОТКРЫТО) (рис. 1, D).
2. Введите корпус фильтра раздвоенного комплекта трубок с угольным фильтром для удаления дыма в гнездо для комплекта трубок, расположенное на передней панели AirSeal iFS (рис. 1, C).
3. Переведите рычаг вниз, в положение LOCK (закрыто)
4. Присоедините иглу Вереша к соединительному наконечнику Люэра прозрачной трубки на раздвоенном комплекте трубок с угольным фильтром для удаления дыма.
5. Установите требуемые значения потока и давления на сенсорном экране AirSeal iFS. Нажмите «Confirm» (Подтвердить), чтобы подтвердить настройки пациента.
6. Нажмите кнопку «Start» (Пуск) на сенсорном экране AirSeal iFS, после чего начнется начальная инсuffляция.
7. Убедитесь в том, что канюли введены надлежащим образом.
8. Удалите иглу Вереша и отсоедините ее от раздвоенного комплекта трубок с угольным фильтром для удаления дыма.
9. Присоедините соединительный наконечник Люэра **ПРОЗРАЧНОЙ** трубки, входящей в состав раздвоенного комплекта трубок с угольным фильтром для удаления дыма, к обычной канюле, к другой обычной канюле.
10. Следуйте подсказкам на сенсорном экране AirSeal iFS. После получения подсказки, присоедините соединительный наконечник **ЛЮЭР СИНЕЙ** трубки, входящей в состав раздвоенного комплекта трубок с угольным фильтром для удаления дыма, к другой обычной канюле. Инсuffляция продолжается.
11. Как только соединительный наконечник Люэра **СИНЕЙ** трубки, входящей в состав раздвоенного комплекта трубок с угольным фильтром для удаления дыма, присоединится ко второй обычной канюле, активируется функция удаления дыма.

#### СЕРЬЕЗНЫЕ ПРОИСШЕСТВИЯ — немедленно сообщайте о любых серьезных инцидентах, связанных с использованием этого изделия,

в отдел обслуживания клиентов CONMED или местному представителю CONMED. Адрес электронной почты: CustomerExperience@CONMED.com

#### Извлечение раздвоенного комплекта трубок с угольным фильтром для удаления дыма

**Примечание. Обратитесь к Инструкции по применению iFS для получения информации о функциях, связанных с конкретными версиями программного обеспечения.**

1. По завершении процедуры нажмите **STOP** (Stop) на сенсорном экране, чтобы остановить инсuffляцию. (**Примечание.** Это приведет к потере пневмоперитонеума). Применяя стандартную лапароскопическую методику, извлеките все хирургические устройства и закройте все соответствующие порты доступа обычным методом.
2. Переведите рычаг на AirSeal iFS в верхнее положение, т. е. в положение UNLOCK (ОТКРЫТО).
3. Извлеките раздвоенный комплект трубок с угольным фильтром для удаления дыма из гнезда для комплекта трубок системы AirSeal iFS.
4. Во время самотестирования прибор проходит контроль работоспособности. Поэтому перед каждой операцией нужно выключать и заново включать прибор.

#### УТИЛИЗАЦИЯ

Утилизируйте устройство в соответствии с местными требованиями больницы.

#### ФОРМА ПОСТАВКИ

Каждое из следующих устройств — порт доступа с оптическим наконечником AirSeal, низкопрофильный порт доступа AirSeal, дополнительный звуковой фильтр (8 мм, 12 мм), порт доступа AirSeal с тупым концом, канюля AirSeal, раздвоенный комплект трубок с угольным фильтром для удаления дыма, трехпросветный комплект трубок с угольным фильтром, однопросветный комплект трубок и однопросветный адаптер AirSeal — поставляются стерилизованными посредством гамма-излучения для использования у одного пациента. После применения удалите в отходы. Для изготовления портов доступа AirSeal, звуковых фильтров и комплектов трубок натуральный каучуковый латекс не используется.

Система AirSeal iFS стерильна и предназначена для многоразового использования.

AirSeal® является зарегистрированным товарным знаком компании CONMED Corporation.

**ВНИМАНИЕ!** Федеральный закон (США) разрешает продажу данного устройства исключительно врачам или по распоряжению врача.

**AirSeal® IFS****Pristupni priključak AirSeal®**

Pristupni priključci optičkog vrha bez oštrice, niskoprofilnog optičkog vrha bez oštrice, optičkog vrha bez oštrice za zahvat dlanom i tupog vrha

**Kompleti filtriranih cijevi AirSeal®**

Komplet trolumenskih filtriranih cijevi s filtrom s aktivnim ugljenom, komplet bifurkiranih filtriranih cijevi za odvod dima s filtrom s aktivnim ugljenom, komplet jednolumenskih filtriranih cijevi

**Shematski prikaz: ilustracija i nazivlje**

<p><b>AirSeal IFS (slika 1.)</b></p> <p>A. Sklopka ON/OFF (UKLJUČENO/ISKLJUČENO)</p> <p>B. Monitor sa zaslonom osjetljivim na dodir</p> <p>C. Utičnica za način rada AirSeal i način rada za odvod dima</p> <p>D. Ručica za zaključavanje kompleta cijevi na mjestu</p> <p>E. Priključak cijevi za insuflaciju za standardni način rada insuflacije</p> <p><b>Pristupni priključci bez oštrice (slike 2./3.)</b></p> <p>A. Razdjelni priključak</p> <p>B. Kanila</p> <p>C. Zatvarač optičkog vrha bez oštrice</p> <p>D. Kukica kanile</p> <p><b>Pristupni priključci tupog vrha (slika 4.)</b></p> <p>A. Razdjelni priključak</p> <p>B. Kanila</p> <p>C. Zatvarač tupog vrha</p> <p>D. Opružni sidreni klin: sidreni klin za privezivanje kirurških konaca</p> <p><b>Opcionalni poklopac sonde (slika 5.)</b></p>	<p><b>Kompleti cijevi (slike 6./7./8.)</b></p> <p>A. Filtar</p> <p>B. Cijev od 8 – 10 ft (2,44 – 3,01 m)</p> <p>C. Nastavak tipa Luer Lock</p> <p>D. Sklop jednolumenskog adaptera</p> <p>E. Palčani obod</p> <p><b>Način rada AirSeal (slika 9.)</b></p> <p><b>Način rada za odvod dima (slika 10.)</b></p> <p><b>Način rada standardne insuflacije (slika 11.)</b></p> <p><b>Umetanje endoskopa (slika 12.)</b></p> <p>A. Pristupni priključak AirSeal</p> <p>B. Endoskop odgovarajuće veličine</p> <p><b>Umetanje endoskopa (slika 13.)</b></p> <p>A. Rotirajuće kretanje tijekom umetanja ublažiti će silu umetanja</p> <p><b>Uklanjanje endoskopa (slika 14.)</b></p> <p>A. Uvucite endoskop</p> <p>B. Pritisnite ovdje da biste otpustili kanilu</p> <p><b>Pogled odozgo na komplet cijevi AirSeal pravilno priključen na pristupni priključak (slika 15.)</b></p> <p>A. Izbočina na srednjem dijelu priključka kompleta cijevi</p> <p><b>Pogled srijeda na komplet cijevi AirSeal pravilno priključen na pristupni priključak (slika 16.)</b></p> <p>A. Izbočina na srednjem dijelu priključka kompleta cijevi</p>
---	---

**VAŽNO! PRIJE UPORABE PROIZVODA PAŽLJIVO PROČITAJTE SLJEDEĆE INFORMACIJE.**

Ova je knjižica predviđena kao pomoć pri uporabi ovog proizvoda. Nije referenca za kirurške tehnike. Osim toga, u uputama za uporabu za sustav AirSeal IFS potražite cjelovite upute o sustavu AirSeal IFS i svim načinima rada.

**INDIKACIJE ZA UPORABU:**

Sustav AirSeal® IFS društva CONMED predviđen je za uporabu u dijagnostičkim i/ili terapijskim endoskopskim zahvatima za punjenje šupljine plinom radi rastezanja, za uspostavljanje i održavanje neometanog puta zabrtvljenog plinom za ulazak endoskopskih instrumenata te za odvod kirurškog plina. Indicira se za uporabu u abdominalnim, torakalnim i pedijatrijskim zahvatima pri kojima je potrebna insuflacija da bi se olakšala primjena raznih torakoskopskih i laparoskopskih instrumenata punjenjem trbušne ili torakalne šupljine plinom kako bi se ona rastegnula, stvaranjem i održavanjem neometanog puta za instrumente zabrtvljenog plinom i odvodom kirurškog dima. Ovaj se instrument može upotrebljavati i za insuflaciju rektuma i debelog crijeva kako bi se olakšalo endoskopsko promatranje, dijagnoza i liječenje. Troakar sustava AirSeal® IFS indicira se za uporabu s vizualizacijom ili bez nje.

**Sustav AirSeal IFS ima tri načina rada:**

1. način rada AirSeal (slika 9.)
2. način rada za odvod dima (slika 10.)
3. način rada standardne insuflacije (slika 11.).

**Način rada AirSeal:**

pri uporabi u načinu rada AirSeal, sustav AirSeal IFS predviđen je za dovod plina CO<sub>2</sub> uz stabilni pneumoperitoneum i stalni odvod dima tijekom laparoendoskopskog zahvata te je potrebna uporaba sustava AirSeal IFS, pristupnog priključka AirSeal i kompleta trolumenskih filtriranih cijevi s filtrom s aktivnim ugljenom. Komplet trolumenskih filtriranih cijevi s filtrom s aktivnim ugljenom upotrebljava se za povezivanje pristupnog priključka AirSeal i sustava AirSeal IFS (slika 9.).

**Način rada za odvod dima:**

pri uporabi u načinu rada za odvod dima, sustav AirSeal IFS predviđen je za dovod plina CO<sub>2</sub> i stalni odvod dima tijekom laparoendoskopskog zahvata te je potrebna uporaba sustava AirSeal IFS, dvaju običnih troakara (koji nisu marke AirSeal) sa standardnim priključcima tipa Luer i kompleta bifurkiranih cijevi za odvod dima s filtrom s aktivnim ugljenom. Dva obična troakara upotrebljavaju se za povezivanje kompleta bifurkiranih cijevi za odvod dima s filtrom s aktivnim ugljenom radi dovoda plina CO<sub>2</sub> zajedno s putom za odvod dima. Komplet bifurkiranih cijevi za odvod dima s filtrom s aktivnim ugljenom bifurkirani je i povezuje dva obična troakara sa sustavom AirSeal IFS (slika 10.).

**Način rada standardne insuflacije:**

pri uporabi u načinu rada standardne insuflacije, sustav AirSeal IFS predviđen je za dovod plina CO<sub>2</sub> i standardnu insuflaciju tijekom laparoendoskopskog zahvata u istom formatu kao i obični insuflatori te je potrebna uporaba sustava AirSeal IFS, jednog običnog troakara (koji nije marke AirSeal) sa standardnim priključkom tipa Luer i kompleta jednolumenskih filtriranih cijevi. Priključak tipa Luer na troakaru povezuje se s kompletom jednolumenskih filtriranih cijevi radi izvođenja standardne insuflacije i dovoda plina CO<sub>2</sub>. Komplet jednolumenskih filtriranih cijevi povezuje jedan obični troakar sa sustavom AirSeal IFS (slika 11.).

**Na pristupnom priključku AirSeal dostupne su dvije konfiguracije:**

1. pristupni priključak optičkog vrha bez oštrice (slike 2. i 3.)
2. pristupni priključak tupog vrha (slika 4.).

Ako se bilo koji od pristupnih priključaka optičkog vrha bez oštrice upotrebljava za glavni ulazak, preporučuje se uporaba laparoscopa za vizualizaciju kako bi se omogućio siguran abdominalni ulazak.

**Kompleti cijevi AirSeal sadržavaju tri dostupne konfiguracije:**

1. komplet trolumenskih filtriranih cijevi s filtrom s aktivnim ugljenom (slika 6.)
2. komplet bifurkiranih cijevi za odvod dima s filtrom s aktivnim ugljenom (slika 7.)
3. komplet jednolumenskih filtriranih cijevi (slika 8.).

Upotrijebite odgovarajući komplet cijevi na temelju načina rada odabranog u sustavu AirSeal IFS. Ako se umetne pogrešan komplet cijevi, odabrani način rada sustava AirSeal IFS neće se pokrenuti i prikazat će se poruka s upozorenjem.

Kompleti filtriranih cijevi nisu predviđeni za prihvatanje tekućine. Ako tekućina uđe u filter, na monitoru sa zaslonom osjetljivim na dodir sustava AirSeal IFS prikazat će se poruka s upozorenjem. Ako se to dogodi, provjerite je li kanila ispravno postavljena i pripremite se za zamjenu kompleta cijevi.

## UPOZORENJA:

- Nepriдрžavanje odgovarajućih uputa za uporabu može dovesti do teških kirurških posljedica.
- Isključivo kvalificirani liječnici sa znanjem i iskustvom koji su osposobljeni za laparoskopske tehnike trebali bi se koristiti dijelovima sustava AirSeal.
- Ove upute za uporabu ne uključuju opise ili upute za kirurške tehnike ili laparoskopske zahvate. Liječnik koji izvodi određeni zahvat odgovoran je za određivanje prikladnosti vrste zahvata koji će se izvesti s pomoću ovih proizvoda te za određivanje posebne tehnike za svakog pacijenta.
- Priloženi dijelovi sustava AirSeal sterilni su samo ako se upotrijebe prije isteka roka valjanosti te ako je ambalaža neotvorena i neoštećena.
- NEMOJTE upotrebljavati nakon isteka roka valjanosti ili ako je ambalaža otvorena ili oštećena.
- Svi jednokratni proizvodi u okviru sustava AirSeal (pristupni priključci i kompleti cijevi) pakiraju se i steriliziraju isključivo za jednokratnu primjenu na pacijentu. Nemojte ponovno upotrebljavati, ponovno obrađivati ili sterilizirati. Ponovnom uporabom, ponovnom obradom ili ponovnom sterilizacijom mogli biste narušiti strukturu cjelovitosti proizvoda i prouzrokovati kvar proizvoda, a to može rezultirati ozljedom, bolešću ili smrću pacijenta. Osim toga, ponovna obrada ili ponovna sterilizacija jednokratnih proizvoda može dovesti do rizika od kontaminacije i/ili infekcije ili krhke infekcije pacijenta, uključujući, među ostalim, prijenos zaraznih bolesti s jednog pacijenta na drugog. Kontaminacija proizvoda može dovesti do ozljede, bolesti ili smrti pacijenta.
- Nemojte uranjati vrh kanile u tekućine za ispiranje ili tjelesne tekućine.
- Ako se rashladni otvori na bočnim stranama ili dnu upravljačke konzole blokiraju, oglasit će se alarm sustava AirSeal iFS. Ako se oglasi alarm, provjerite jesu li rashladni otvori blokirani.
- Ako prethodno spomenuti uvjeti NE postoje, a alarm se i dalje oglašava, prekinite uporabu sustava AirSeal iFS i vratite ga proizvođaču radi servisiranja.

## MJERE OPREZA:

- Poznate su fiziološke nuspojave stvaranja pneumoperitoneuma, uključujući smanjeni utok vena, smanjeni rad srca, smanjenu funkciju bubrega, povišeni intrakranijalni tlak, povećani otpor dišnih putova i smanjenu rastezljivost pluća.
- Isključivo osobe s odgovarajućim osposobljavanjem, poznavanjem i kompetencijama u pogledu minimalno invazivnih kirurških tehnika trebale bi izvoditi minimalno invazivne zahvate. Prije izvođenja minimalno invazivnog zahvata proučite medicinsku literaturu koja se odnosi na tehnike, komplikacije i opasnosti.
- Da bi se izbjegle opasnosti poput strujnog udara i opekline za pacijenta i medicinsko osoblje i oštećenja proizvoda ili drugih medicinskih instrumenata, ključno je temeljito razumijevanje načela i tehnika povezanih s laserskim, elektrokirurškim i ultrazvučnim zahvatima. Električna izolacija ili uzemljenje ne smiju se ugroziti.
- U sljedećim uvjetima postoji mogućnost ulaska zraka:
  - snažni vanjski pritisak na abdomen
  - snažno i dugotrajno istjecanje kroz druge uobičajene priključke na mjestu ili otvorenom rezu
  - snažni i dugotrajni usis.
- U prethodno opisanim uvjetima istiskivanje insuflacijskog plina zrakom privremeno je i CO<sub>2</sub> će istisnuti uvedeni zrak.
- U kolorektalnim zahvatima ne preporučuje se prekoračiti tlak insuflacije > 15 mm Hg.
- Pri višim vrijednostima tlaka insuflacije (> 15 mm Hg) tijekom insuflacije ugljičnog dioksida može se povećati rizik od hiperkarbije, potkožnog emfizema, pneumomediastinuma, pneumotoraksa, emfizema skrotuma i zadržavanja mokraće.
- Ako upotrebljavate opcionalni poklopac sonde (8 mm, 12 mm):
  - Prije uporabe provjerite pjenu i brtvu poklopa sonde.
  - Nakon uporabe provjerite ima li na poklopcu sonde fizičkih oštećenja.
- Budite iznimno oprezni pri umetanju pristupnog priključka AirSeal. Neispravna uporaba ovog proizvoda može rezultirati ozljedama unutarnjih organa i krvnih žila opasnim po život.
  - Provjerite je li uspostavljen odgovarajući pneumoperitoneum ili pneumorektum.
  - Provjerite je li pacijent pravilno namješten tako da su organi daleko od mjesta prodiranja.
  - Usmjerite vrh pristupnog priključka AirSeal podalje od važnih krvnih žila i organa.
  - Pazite da je vanjska stijenka pristupnog priključka AirSeal samo u dodiru s tkivom i da nije zarobljena između tvrdih površina, kao što su drugi instrumenti ili kosti, niti se sudara s njima. Dugotrajni ili iznenadni dodir s tvrdim površinama može dovesti do oštećenja ili loma pristupnog priključka.
  - Nemojte primjenjivati prekomjernu silu usmjerenu prema dolje.
- Kroz pristupni priključak AirSeal smiju se spuštati samo kirurški ručni instrumenti. NEMOJTE umetati troakare ili robotske instrumente u pristupni priključak AirSeal. Nepravilna uporaba može dovesti do oštećenja ili loma pristupnog priključka.
- Značajke izvedbe pristupnog priključka optičkog vrha bez oštrice predviđene su kako bi smanjile vjerojatnost ozljede okolnih anatomskih struktura pri prodiranju. Međutim, potrebno je pridržavanje standardnih mjera opreza koje se primjenjuju pri svim takvim postupcima umetanja.
- Iako pristupni priključak optičkog vrha bez oštrice ima vrh „bez oštrice“, potreban je oprez kao i pri uporabi svih ostalih takvih proizvoda kako bi se spriječio oštećenje glavnih krvnih žila i ostalih anatomskih struktura (kao što su crijeva ili mezenteriji). Da biste rizik od takve ozljede sveli na najmanju moguću mjeru, izvedite sljedeće korake:
  - Uspostavite odgovarajući pneumoperitoneum ili pneumorektum.
  - Pravilno namjestite pacijenta da biste izmjestili organe izvan područja prodiranja.
  - Imajte na umu referentne anatomske točke.
  - Usmjerite vrh pristupnog priključka AirSeal podalje od glavnih krvnih žila i struktura.
  - Nemojte primjenjivati prekomjernu ili nekontroliranu silu.
  - Primijenite tehniku optičkog ulaska kad god je to moguće.
- Nakon djelomičnog ulaska potrebno je primijeniti vrlo blagu silu da bi se ostvario potpuni ulazak. Prekomjerna sila mogla bi dovesti do ozljede okolnih anatomskih struktura.
- Kada se endoskopskim zahvatom ostvari odgovarajući ulazak, ne bi trebalo dodatno gurati pristupni priključak optičkog vrha bez oštrice radi dodatnog prodiranja. U toj bi fazi nastavak ulaska pristupnog priključka mogao prouzrokovati ozljedu okolnih anatomskih struktura.
- Nakon ostvarivanja sigurnog i odgovarajućeg ulaska, provjerite je li crna linija na distalnom vrhu pristupnog priključka AirSeal vidljiva unutar šupljine svaki put kada se pristupni priključak AirSeal upotrebljava za insuflaciju.
- Nemojte pokušavati sekundarne punkcije troakarom sve dok se ne utvrde primarno mjesto i preporučeni intraabdominalni tlak (obično 12 – 18 mm Hg).
- Nakon uklanjanja kanile iz šupljine uvijek provjerite je li došlo do hemostaze. Ako nije došlo do hemostaze, potrebno je primijeniti odgovarajuće tehnike kako bi se ona uspostavila.
- Komplet trolumenskih filtriranih cijevi s filtrom s aktivnim ugljenom i komplet bifurkiranih cijevi za odvod dima s filtrom s aktivnim ugljenom opremljeni su sensorima za tekućinu radi praćenja razine tekućine u filtra i kako bi se korisnike upozorilo na moguću kontaminaciju proizvoda. Ako se hvatač tekućine kućišta filtra napuni do razine tekućine **Low** (Nisko), na monitoru sa zaslonom osjetljivim na dodir prikazat će se poruka s upozorenjem i oglasit će se zvučni signal. Treba provjeriti položaj kanile i cijevi kako bi se osiguralo da tekućine više neće ulaziti u filtar. U ovom trenutku umetnete zatvarač u pristupni priključak AirSeal i promijenite komplet filtriranih cijevi.
- Radi sprječavanja biološke kontaminacije možda će biti potrebno posebno postupanje pri odlaganju instrumenata ili proizvoda koji dođu u kontakt s tjelesnim tekućinama.

## KONTRAINDIKACIJE

Sustav AirSeal iFS kontraindicira se za uporabu kada su kontraindicirane minimalno invazivne endoskopske tehnike.

**VAŽNO:** ovaj list u ambalaži sadržava upute za upotrebu. Ne služi kao referencija ili vodič za tehnike umetanja troakara. Uspješna uporaba troakara optičkog vrha bez oštrice kao primarnog priključka nakon insuflacije ovisi o prepoznavanju i razlikovanju slojeva tkiva. Stoga bi novi korisnici trebali upotrebljavati troakare optičkog vrha kao sekundarni priključak nakon insuflacije kako bi stekli iskustvo i kompetencije za vizualizaciju slojeva tkiva. Tek nakon stjecanja iskustva u spomenutoj tehnici treba primijeniti troakare optičkog vrha kao primarni priključak nakon insuflacije.

**Napomena:** vizualno pregledajte sustav ili sustave sterilne barijere kako biste uočili probleme s cjelovitošću pakiranja koji bi mogli utjecati na sterilnost prije aseptičke prezentacije. Nemojte upotrebljavati ako pronađete otvore u sustavu sterilne barijere.

## UPUTE ZA UPORABU

### Općenite upute za uporabu pristupnog priključka AirSeal za način rada AirSeal:

**Napomena: pogledajte upute za uporabu za sustav IFS za više informacija o značajkama povezanim s posebnim revizijama softvera.**

1. Uključite sustav AirSeal IFS pritiskom na sklopku ON/OFF (UKLJUČENO/ISKLJUČENO) (slika 1., A).
  2. Ručica na sustavu AirSeal IFS trebala biti u položaju usmjerenom prema gore ili UNLOCK (OTKLUČANO) (slika 1., D).
  3. Prije umetanja kompleta trolumenskih filtriranih cijevi omogućite početnu samostalnu provjeru.
  4. Sterilnom tehnikom uklonite komplet trolumenskih cijevi iz ambalaže. Nemojte postavljati proizvod na sterilno polje da biste spriječili oštećenje.
  5. Umetnite kućište filtra kompleta trolumenskih cijevi u utičnicu za komplet cijevi koja se nalazi na prednjoj strani sustava AirSeal IFS (slika 1., C).
  6. Gurnite ručicu prema dolje u položaj LOCK (ZAKLJUČANO) (slika 9.) i način rada AirSeal pokrenut će se automatski.
- Napomena:** Ako je pokrenut način rada AirSeal za djecu, bit ćete upućeni na odabir načina rada AirSeal za djecu ili odrasle osobe. Posebne informacije o pedijatrijskom načinu rada sustava AirSeal potražite u uputama za uporabu za AirSeal IFS.
7. Na monitoru sa zaslonom osjetljivim na dodir sustava AirSeal IFS provjerite je li razina zalihe plina dovoljna (slika 1., B).
  8. Odaberite željene postavke protoka i tlaka za pacijenta. Pritisnite „Confirm“ (Potvrda) da biste potvrdili postavke za pacijenta.

**Za informacije o ulasku iglom Veress s pristupnim priključkom optičkog vrha bez oštrice pogledajte daljnje upute u nastavku. Ova se tehnika ne primjenjuje za abdominalni ulazak tupim vrhom (tipa Hasson). Ako se ne primjenjuje tehnika ulaska iglom Veress, prijedite na 9. korak.**

- Jednolumenski adapter prethodno je povezan s kompletom trolumenskih filtriranih cijevi s filtrom s aktivnim ugljenom.
- Povežite jednolumenski adapter s priključkom tipa Luer igle Veress i umetnite u skladu s uputama proizvođača.
- Postavite željene vrijednosti protoka i tlaka na monitoru sa zaslonom osjetljivim na dodir sustava AirSeal IFS.
- Pritisnite „Start“ (Pokretanje) na monitoru sa zaslonom osjetljivim na dodir sustava AirSeal IFS i pokrenut će se početna insuflacija.
- Nakon uspostavljanja početne insuflacije odvojite komplet trolumenskih filtriranih cijevi s filtrom s aktivnim ugljenom od jednolumenskog adaptera.
- Uklonite iglu Veress.

**Ako pristupni priključak AirSeal nije prvi troakar koji se postavlja, ostavite jednolumenski adapter povezanim s kompletom trolumenskih filtriranih cijevi s filtrom s aktivnim ugljenom i prebacite jednolumenski adapter na priključak tipa Luer prvog postavljenoj običnog troakara. Uklonite jednolumenski adapter tek nakon umetanja pristupnog priključka AirSeal.**

9. Sterilnom tehnikom uklonite pristupni priključak AirSeal i opcionalni poklopac sonde (8 mm, 12 mm) iz ambalaže. Nemojte postavljati proizvod na sterilno polje da biste spriječili oštećenje.
10. Pristupni priključak AirSeal (zatvarač i kanila) sastavljaju se pri pakiranju tako da ih nije potrebno sastavljati. Napomena: ako je potrebno sastaviti pristupni priključak, umetnite zatvarač u kanilu sve dok se zajedno ne zaključaju.
11. Provjerite jesu li zatvarač i kanila ispravno sastavljeni. **Napomena:** ako upotrebljavate pristupni priključak tupog vrha, provjerite je li opružni sidreni klin na svojem mjestu (slika 4., D).
12. Standardnim kirurškim postupcima načinite rez. (Napomena: rez bi trebao odgovarati promjeru kanile. Neadekvatni rezovi mogu prouzrokovati povećanu otpornost na umetanje i povećati potrebnu silu prodiranja te mogu rezultirati gubitkom kontrole tijekom ulaska.)

**Sastavljeni pristupni priključak spreman je za umetanje. Ako upotrebljavate pristupni priključak tupog vrha, upotrijebite odgovarajuću laparoskopsku tehniku (tipa Hasson).**

13. Umetnite sklop pristupnog priključka kroz rez na koži rotirajući pokretima pod kutom od 30° do 90°. Neprekidno ali kontrolirano pritisnite ručku prema dolje.
14. Provjerite je li pristupni priključak pravilno umetnut. U ovom trenutku nemojte uklanjati zatvarač iz kanile. **Napomena:** ako upotrebljavate pristupni priključak tupog vrha, opružni sidreni klin treba se pričvrstiti za abdomen pacijenta kirurškim koncem na uobičajeni način.
15. Provjerite je li crna linija na distalnom vrhu pristupnog priključka AirSeal vidljiva unutar šupljine svaki put kada se pristupni priključak AirSeal upotrebljava za insuflaciju.
16. Uklonite razdjelni priključak s bočne strane kanile na pristupnom priključku AirSeal i povežite distalni kraj kompleta trolumenskih filtriranih cijevi s filtrom s aktivnim ugljenom s razdjelnikom kanile i zategnite.  
**Napomena:** ako se komplet cijevi AirSeal i pristupni priključak ne pričvrste na odgovarajući način, očitanje tlaka na uređaju možda neće odražavati tlak koji se primjenjuje na pacijenta. Čvrsta veza može se vizualno potvrditi kada je jedna od bijelih izbočina na središnjem dijelu priključka kompleta cijevi poravnana s vrhom pristupnog priključka (slika 15). Kada gledate izravno u središnji dio pristupnog priključka dok je priključen komplet cijevi, jedna od izbočina na priključku kompleta cijevi trebala bi biti postavljena okomito u odnosu na pristupni priključak (slika 16).
17. AirSeal će se automatski aktivirati. Ostavite zatvarač na mjestu sve dok se ne oglasi zvučni ton i prikaže se zelena poruka „AirSeal active“ (Aktivni AirSeal).
18. Uklonite zatvarač iz kanile tako što ćete pritisnuti gumb na zasunu zatvarača kako biste otključali dva proizvoda. **Napomena:** pristupni priključak tupog vrha nema gumb na zasunu, tako da se može ukloniti povlačenjem zatvarača ravno iz kanile.
19. Kada se način rada AirSeal aktivira i zatvarač se ukloni iz kanile AirSeal, brzina protoka bit će automatska. **Napomena:** razina odvoda dima može se namjestiti na postavku High (Visoka) ili Low (niska).
20. U ovom se trenutku opcionalni poklopac sonde (8 mm, 12 mm) može postaviti na kanilu. (**Napomena:** ako upotrebljavate opcionalni poklopac sonde, budite oprezni pri umetanju oštrog ili velikog instrumenta kroz kanilu. Opcionalni poklopac sonde može se ukloniti iz kanile u bilo kojem trenutku tijekom postupka i treba ga ukloniti prije umetanja oštrog ili velikih predmeta u kanilu.)
21. Nakon završetka zahvata pritisnite **STOP** (ZAUSTAVLJANJE) na monitoru sa zaslonom osjetljivim na dodir da biste zaustavili insuflaciju sustavom AirSeal (**napomena:** to će rezultirati gubitkom pneumoperitoneuma). Standardnom laparoskopskom tehnikom uklonite sve kirurške proizvode i zatvorite primjenjiva mjesta priključaka uobičajenim postupcima. **Napomena:** kada zahvat završi, način rada AirSeal posljednji će se put kalibrirati prije isključenja. Tijekom tog postupka ne stvara se tlak ni insuflacija. Pričekajte završetak završne kalibracije prije nego što uklonite komplet trolumenskih filtriranih cijevi s filtrom s aktivnim ugljenom ili isključite sustav IFS.
22. Pomaknite ručicu na sustavu AirSeal IFS prema gore ili u položaj UNLOCK (OTKLUČAVANJE).
23. Zamijenite komplet trolumenskih filtriranih cijevi s filtrom s aktivnim ugljenom iz utičnice za komplet cijevi sustava AirSeal IFS.
24. Budući da se funkcionalni test izvodi tijekom početnog pokretanja, napajanje se mora prespojiti (isključeno/uključeno) prije svakog kirurškog zahvata.

**U nastavku pogledajte dodatne upute za umetanje pristupnog priključka optičkog vrha bez oštrice uporabom endoskopa.**

**Napomena: pogledajte upute za uporabu za sustav IFS za više informacija o značajkama povezanim s posebnim revizijama softvera.**

1. Povežite endoskop s izvorom svjetlosti i monitorom pod kutom od 0° kao što je navedeno u uputama proizvođača. Provjerite je li endoskop ispravno povezan i je li slika na monitoru dovoljno jasna.
2. Umetnite endoskop u otvor na proksimalnom kraju ručke pristupnog priključka optičkog vrha bez oštrice sve dok ne dosegne distalni vrh pristupnog priključka. (Umetanje endoskopa; slika 12.)
3. Rotirajte endoskop po želji. (Umetanje endoskopa; slika 13.)
4. Da biste osigurali jasnu sliku na monitoru, umetnite endoskop u ručku pristupnog priključka optičkog vrha bez oštrice, optičkim vrhom dodirnite prikladnu mekanu površinu i izostrite kameru.
5. Standardnim kirurškim postupcima načinite rez. (**Napomena:** rez bi trebao odgovarati promjeru kanile. Neadekvatni rezovi mogu prouzrokovati povećanu otpornost na umetanje i povećati potrebnu silu prodiranja te mogu rezultirati gubitkom kontrole tijekom ulaska.) Umetnite sklop pristupnog priključka kroz rez na koži rotirajući pokretima pod kutom od 30° do 90°. Neprekidno ali kontrolirano pritisnite ručku prema dolje.
6. Tijekom umetanja pristupnog priključka s pomoću laparendoskopa prikažite prodiranje pristupnog priključka kroz pojedinačne ravnine tkiva. Pojedinačne ravnine tkiva mogu se prikazati kao razine umetanja pristupnog priključka.
7. Uklonite laparendoskop iz pristupnog priključka optičkog vrha bez oštrice (Uklanjanje endoskopa (slika 14.)).
8. Nastavite postupak u skladu s prethodno navedenim uputama, počevši s 13. korakom.

## UPUTE ZA UPORABU

### Upute za uporabu pristupnog priključka AirSeal za način rada AirSeal u transanalnim primjenama:

**Napomena: pogledajte upute za uporabu za sustav IFS za više informacija o značajkama povezanim s posebnim revizijama softvera.**

1. Uključite sustav AirSeal IFS pritiskom na sklopku ON/OFF (UKLJUČENO/ISKLJUČENO) (slika 1., A).
2. Ručica na sustavu AirSeal IFS trebala biti u položaju usmjerenom prema gore ili UNLOCK (OTKLUČANO) (slika 1., D).
3. Prije umetanja kompleta trolumenskih filtriranih cijevi omogućite početnu samostalnu provjeru.
4. Sterilnom tehnikom uklonite komplet trolumenskih cijevi iz ambalaže. Nemojte postavljati proizvod na sterilno polje da biste spriječili oštećenje.
5. Umetnite kucište filtra kompleta trolumenskih cijevi u utičnicu za komplet cijevi koja se nalazi na prednjoj strani sustava AirSeal IFS (slika 1., C).
6. Gurnite ručicu prema dolje u položaj LOCK (ZAKLJUČANO) (slika 9.) i način rada AirSeal pokrenut će se automatski.  
**Napomena:** Ako je pokrenut način rada AirSeal za djecu, bit će upućeni na odabir načina rada AirSeal za djecu ili odrasle osobe. Posebne informacije o pedijatrijskom načinu rada sustava AirSeal potražite u uputama za uporabu za AirSeal IFS.
7. Na monitoru sa zaslonom osjetljivim na dodir sustava AirSeal IFS provjerite je li razina zalihi plina dovoljna (slika 1., B).
8. Odaberite željene postavke protoka i tlaka za pacijenta. Pritisnite „Confirm“ (Potvrda) da biste potvrdili postavke za pacijenta.
9. Sterilnom tehnikom uklonite pristupni priključak AirSeal i opcionalni poklopac sonde (8 mm, 12 mm) iz ambalaže. Nemojte postavljati proizvod na sterilno polje da biste spriječili oštećenje.
10. Pristupni priključak AirSeal (zatvarač i kanila) sastavljaju se pri pakiranju tako da ih nije potrebno sastavljati.  
**Napomena:** ako je potrebno sastaviti pristupni priključak, umetnite zatvarač u kanilu sve dok se zajedno ne zaključaju.
11. Provjerite jesu li zatvarač i kanila ispravno sastavljeni.
12. Slijedite upute za uporabu koje je isporučio proizvođač odabranog uređaja s platformom za transanalni pristup koje se odnose na postavljanje u rektum.
13. Umetnite pristupni priključak u uređaj s platformom za transanalni pristup kroz odgovarajući položaj lumena ili kanile. Umetnite pristupni priključak u uređaj s platformom za transanalni pristup rotirajućim pokretima pod kutom od 30° do 90°. Primijenite neprekidni ili kontrolirani središnji pritisak na pristupni priključak sve dok ga čvrsto ne namjestite unutar uređaja s platformom za transanalni pristup.
14. Provjerite jesu li zatvarač i kanila ispravno umetnuti. U ovom trenutku nemojte uklanjati zatvarač iz sklopa kanile.
15. Uklonite razdjelni priključak s bočne strane kanile na pristupnom priključku AirSeal i povežite distalni kraj kompleta trolumenskih filtriranih cijevi s filtrom s aktivnim ugljenom s razdjelnim kanilom i zategnite.  
**Napomena:** ako se komplet cijevi AirSeal i pristupni priključak ne pričvrste na odgovarajući način, očitavanje tlaka na uređaju možda neće odražavati tlak koji se primjenjuje na pacijenta. Čvrsta veza može se vizualno potvrditi kada je jedna od bijelih izbočina na središnjem dijelu priključka kompleta cijevi poravnana s vrhom pristupnog priključka (slika 15). Kada gledate izravno u središnji dio pristupnog priključka dok je priključen komplet cijevi, jedna od izbočina na priključku kompleta cijevi trebala bi biti postavljena okomito u odnosu na pristupni priključak (slika 16).
16. AirSeal će se automatski aktivirati. Ostavite zatvarač na mjestu sve dok se ne oglasi zvučni ton i prikaže se zelena poruka „AirSeal active“ (Aktivni AirSeal).
17. Uklonite zatvarač iz kanile tako što ćete pritisnuti gumbu na zasunu zatvarača kako biste otključali dva proizvoda.
18. Kada se način rada AirSeal aktivira i zatvarač se ukloni iz kanile AirSeal, brzina protoka bit će automatska.  
**Napomena:** razina odvoda dima može se namjestiti na postavku High (Visoka) ili Low (nisoka).
19. U ovom se trenutku opcionalni poklopac sonde (8 mm, 12 mm) može postaviti na kanilu. (**Napomena:** ako upotrebljavate opcionalni poklopac sonde, budite oprezni pri umetanju oštrog ili velikog instrumenta kroz kanilu. Opcionalni poklopac sonde može se ukloniti iz kanile u bilo kojem trenutku tijekom postupka i treba ga ukloniti prije umetanja oštrog ili velikih predmeta u kanilu.)
20. Nakon završetka zahvata pritisnite **STOP** (ZAUSTAVLJANJE) na monitoru sa zaslonom osjetljivim na dodir da biste zaustavili insuflaciju sustavom AirSeal (**napomena:** to će rezultirati gubitkom pneumoperitoneuma). Standardnom laparoskopskom tehnikom uklonite sve kirurške proizvode i zatvorite primjenjiva mjesta priključaka uobičajenim postupcima.  
**Napomena:** kada zahvat završi, način rada AirSeal posljednji će se put kalibrirati prije isključenja. Tijekom tog postupka ne stvara se tlak ni insuflacija.
21. Pričekajte završetak završne kalibracije prije nego što uklonite komplet trolumenskih filtriranih cijevi s filtrom s aktivnim ugljenom ili isključite sustav IFS.
22. Pomaknite ručicu na sustavu AirSeal IFS prema gore ili u položaj UNLOCK (OTKLUČAVANJE).
23. Zamijenite komplet trolumenskih filtriranih cijevi s filtrom s aktivnim ugljenom u utičnicu za komplet cijevi sustava AirSeal IFS.
23. Budući da se funkcionalni test izvodi tijekom početnog pokretanja, napajanje se mora prespojiti (isključeno/uključeno) prije svakog kirurškog zahvata.

### Općenite upute za uporabu u načinu rada za odvod dima i načinu rada standardne insuflacije:

#### POČETNA INSUFILACIJA IGLOM VERESS

**Napomena: pogledajte upute za uporabu za sustav IFS za više informacija o značajkama povezanim s posebnim revizijama softvera.**

1. Uključite sustav AirSeal IFS pritiskom na sklopku ON/OFF (UKLJUČENO/ISKLJUČENO) (slika 1., A).
2. Pri kraju dijagnostičke samoprovjere odaberite način rada za odvod dima ili način rada standardne insuflacije na monitoru sa zaslonom osjetljivim na dodir, na popisu za odabir načina rada sustava AirSeal IFS (slika 1., B).
3. Na monitoru sa zaslonom osjetljivim na dodir sustava AirSeal IFS provjerite je li razina zalihi plina dovoljna (slika 1., B).
4. Povežite odgovarajući komplet cijevi sa sustavom AirSeal IFS (pogledajte posebne upute u nastavku za povezivanje kompleta bifurkiranih cijevi za odvod dima s filtrom s aktivnim ugljenom).  
**Napomena:** za razliku od ostalih kompleta cijevi, komplet jednolumenskih cijevi povezuje se s priključkom za povezivanje cijevi za insuflaciju na prednjoj strani sustava AirSeal IFS.
5. Povežite priključak tipa Luer lock na kompletu cijevi s krajem igle Veress ili običnim trokarom na uobičajeni način. (Pogledajte posebne upute u nastavku za povezivanje kompleta bifurkiranih cijevi za odvod dima s filtrom s aktivnim ugljenom).
6. Postavite željene vrijednosti protoka i tlaka na monitoru sa zaslonom osjetljivim na dodir sustava AirSeal IFS. Pritisnite „Confirm“ (Potvrda) da biste potvrdili postavke za pacijenta.
7. Pritisnite „Start“ (Pokretanje) na monitoru sa zaslonom osjetljivim na dodir sustava AirSeal IFS i pokrenut će se početna insuflacija.
8. Nakon postizanja početne insuflacije **umetnite obični trokar sa standardnim priključcima tipa Luer.**
9. Nakon završetka zahvata pritisnite **STOP** (ZAUSTAVLJANJE) na monitoru sa zaslonom osjetljivim na dodir da biste zaustavili insuflaciju (**napomena:** to će rezultirati gubitkom pneumoperitoneuma). Standardnom laparoskopskom tehnikom uklonite sve kirurške proizvode i zatvorite primjenjiva mjesta priključaka uobičajenim postupcima.
10. Uklonite komplet cijevi iz sustava AirSeal IFS (pogledajte posebne upute u nastavku za povezivanje kompleta bifurkiranih cijevi za odvod dima s filtrom s aktivnim ugljenom).
11. Budući da se funkcionalni test izvodi tijekom početnog pokretanja, napajanje se mora prespojiti (isključeno/uključeno) prije svakog kirurškog zahvata.

### Pogledajte daljnje upute u nastavku za komplet bifurkiranih cijevi za odvod dima s filtrom s aktivnim ugljenom

#### Za uporabu s dvama običnim trokarima sa standardnim priključcima tipa Luer i kompletom bifurkiranih cijevi za odvod dima s filtrom s aktivnim ugljenom.

Prozirna cijev: insuflacija

Plava cijev: odvod dima

#### Povezivanje kompleta bifurkiranih cijevi za odvod dima s filtrom s aktivnim ugljenom

**Napomena: pogledajte upute za uporabu za sustav IFS za više informacija o značajkama povezanim s posebnim revizijama softvera.**

1. Ručica na sustavu AirSeal IFS trebala biti u položaju usmjerenom prema gore ili UNLOCK (OTKLUČANO) (slika 1., D).
2. Umetnite kucište filtra kompleta bifurkiranih cijevi za odvod dima s filtrom s aktivnim ugljenom u utičnicu za komplet cijevi koja se nalazi na prednjoj strani sustava AirSeal IFS (slika 1., C).
3. Gurnite ručicu prema dolje u položaj LOCK (OTKLUČANO).
4. Povežite iglu Veress s priključkom tipa Luer lock prozirne cijevi na kompletu bifurkiranih cijevi za odvod dima s filtrom s aktivnim ugljenom.
5. Postavite željene vrijednosti protoka i tlaka na monitoru sa zaslonom osjetljivim na dodir sustava AirSeal IFS. Pritisnite „Confirm“ (Potvrda) da biste potvrdili postavke za pacijenta.
6. Pritisnite „Start“ (Pokretanje) na monitoru sa zaslonom osjetljivim na dodir sustava AirSeal IFS i pokrenut će se početna insuflacija.

7. Proverjte jesu li kanile ispravno umetnute.
8. Uklonite iglu Veress i odvojite je od kompleta bifurkiranih cijevi za odvod dima s filtrom s aktivnim ugljenom.
9. Povežite priključak tipa Luer lock **PROZIRNE** cijevi na kompletu bifurkiranih cijevi za odvod dima s filtrom s aktivnim ugljenom s običnom kanilom. Otvorite ulazni ventil / zaporni ventil.
10. Slijedite poruke na monitoru sa zaslonom osjetljivim na dodir sustava AirSeal IFS. U skladu s uputama povežite priključak tipa Luer lock **PLAVE** cijevi na kompletu bifurkiranih cijevi za odvod dima s filtrom s aktivnim ugljenom s drukčijom običnom kanilom. Insuflacija je i dalje aktivna.
11. Kada se priključak tipa Luer lock **PLAVE** cijevi na kompletu bifurkiranih cijevi za odvod dima s filtrom s aktivnim ugljenom poveže s drugom običnom kanilom, pokreće se odvod dima.

**OZBILJNI INCIDENTI:** odmah prijavite sve ozbiljne incidente povezane s uporabom ovog proizvoda službi za korisnike društva CONMED ili lokalnom predstavniku društva CONMED. E-pošta: CustomerExperience@CONMED.com

Uklanjanje kompleta bifurkiranih cijevi za odvod dima s filtrom s aktivnim ugljenom

**Napomena: pogledajte upute za uporabu za sustav IFS za više informacija o značajkama povezanim s posebnim revizijama softvera.**

1. Nakon završetka zahvata pritisnite **STOP** (ZAUSTAVLJANJE) na monitoru sa zaslonom osjetljivim na dodir da biste zaustavili insuflaciju (**napomena:** to će rezultirati gubitkom pneumoperitoneuma). Standardnom laparoskopskom tehnikom uklonite sve kirurške proizvode i zatvorite primjenjiva mjesta priključaka uobičajenim postupcima.
2. Pomaknite ručicu na sustavu AirSeal IFS prema gore ili u položaj UNLOCK (OTKLUČAVANJE).
3. Zamijenite komplet bifurkiranih cijevi za odvod dima s filtrom s aktivnim ugljenom iz utičnice za komplet cijevi sustava AirSeal IFS.
4. Budući da se funkcionalni test izvodi tijekom početnog pokretanja, napajanje se mora prepospjeti (isključeno/uključeno) prije svakog kirurškog zahvata.

#### ODLAGANJE U OTPAD

Odožite uređaj u otpad u skladu s lokalnim zahtjevima bolnice.

#### NAČIN ISPORUKE

Svaki optički pristupni priključak AirSeal, niskoprofilni pristupni priključak AirSeal, opcionalni poklopac sonde (8 mm, 12 mm), pristupni priključak tupog vrha AirSeal, kanila AirSeal, komplet bifurkiranih cijevi za odvod dima s filtrom s aktivnim ugljenom, komplet trolumenskih filtriranih cijevi s filtrom s aktivnim ugljenom, komplet jednolumenskih cijevi i jednolumenski adapter AirSeal isporučuju se sterilni, sterilizirani gama-zračenjem, za jednokratnu primjenu na pacijentu. Baciti nakon uporabe. Pristupni priključci AirSeal, poklopci sonde i kompleti cijevi nisu proizvedeni od lateksa od prirodne gume.

Sustav AirSeal IFS nije sterilan i nije namijenjen za višekratnu uporabu.

AirSeal® je registrirani žig društva CONMED Corporation.

**!Rx ONLY** OPREZ: saveznim zakonom SAD-a prodaja ovog proizvoda ograničena je na prodaju od strane ili po nalogu liječnika.

**CZECH**

AirSeal® IFS

Přístupový port AirSeal®

Přístupové porty bez ostří s optickým členem, přístupové porty s nízkoprofilovým tupým koncem s optickým členem, přístupové porty pro uchopení do dlaně bez ostří s optickým členem a přístupové porty s tupým koncem

Hadičkové sety s filtrem AirSeal®

Trojcestný hadičkový set s filtrem s aktivním uhlím, bifurkovaný hadičkový set s odsáváním kouře s filtrem s aktivním uhlím, jednocestný hadičkový set s filtrem

#### Schématické zobrazení: Schéma a název

<p><b>AirSeal IFS (obr. 1)</b></p> <p>A. Vypínač ON/OFF (Zapnuto/Vypnuto)</p> <p>B. Displej s dotykovou obrazovkou</p> <p>C. Zdiřka pro režimy AirSeal a odsávání kouře</p> <p>D. Páčka pro zajištění zavedeného hadičkového setu</p> <p>E. Připojení insulační hadičky pro režim standardní insuflace</p> <p><b>Přístupové porty bez ostří (obr. 2/3)</b></p> <p>A. Rozbočka</p> <p>B. Kanyla</p> <p>C. Obturátor bez ostří s optickým členem</p> <p>D. Západka kanyly</p> <p><b>Přístupové porty s tupým koncem (obr. 4)</b></p> <p>A. Rozbočka</p> <p>B. Kanyla</p> <p>C. Obturátor s tupým koncem</p> <p>D. Pružinová kotva – zařízení pro ukotvení stehem</p> <p><b>Volitelný zvukový uzávěr (obr. 5)</b></p>	<p><b>Hadičkové sety (obr. 6/7/8)</b></p> <p>A. Filtr</p> <p>B. Hadička 8–10 stop (244–305 cm)</p> <p>C. Spojka typu Luer Lock</p> <p>D. Sestava jednocestného adaptéru</p> <p>E. Objímka pro prst</p> <p><b>Režim AirSeal (obr. 9)</b></p> <p><b>Režim odsávání kouře (obr. 10)</b></p> <p><b>Režim standardní insuflace (obr. 11)</b></p> <p><b>Zavedení endoskopu (obr. 12)</b></p> <p>A. Přístupový port AirSeal</p> <p>B. Endoskop vhodné velikosti</p> <p><b>Zavedení endoskopu (obr. 13)</b></p> <p>A. Krouživým pohybem při zavedení se usnadní zavedení s použitím menší síly</p> <p><b>Vynětí endoskopu (obr. 14)</b></p> <p>A. Vytáhněte endoskop</p> <p>B. Chcete-li uvolnit kanylu, zatlačte zde</p> <p><b>Pohled shora na přístupový port AirSeal se správným připojením k hadičkovému setu AirSeal (obr. 15)</b></p> <p>A. Lamela terčového konektoru hadičkového setu</p> <p><b>Pohled zepředu na přístupový port AirSeal se správným připojením k hadičkovému setu AirSeal (obr. 16)</b></p> <p>A. Lamela terčového konektoru hadičkového setu</p>
--	---

#### DŮLEŽITĚ NEŽ PRODUKT POUŽIJETE, PŘEČTĚTE SI POZORNĚ NÁSLEDUJÍCÍ INFORMACE.

Tato příbalová informace vám má pomoci při používání tohoto produktu. Nenahrazuje informace o chirurgických technikách. Úplné pokyny k systému AirSeal IFS a ke všem pracovním režimům naleznete v návodu k použití systému AirSeal IFS.

#### INDIKACE POUŽITÍ:

Systém AirSeal® IFS společnosti CONMED je určen k použití při diagnostických, případně terapeutických endoskopických výkonech k distenzi dutiny naplněním plynem, k vytvoření a uchování vstupní cesty, nepropustné pro plyny a bez překážek, pro endoskopické nástroje a k odsávání chirurgického kouře. Slouží k použití při zákrocích v břišní dutině, v hrudní dutině a při zákrocích u dětských pacientů k tomu, aby bylo možné používat různé toroskopické a laparoskopické nástroje v břišní dutině jejím vyplněním plynem, vytvořením a udržení vzduchotěsného přístupu pro nástroje bez překážek a odsáváním kouře vznikajícího při chirurgickém zákroku. Tento nástroj se používá také k roztažení rektu a tračniku při endoskopických vyšetřeních a k provedení diagnostických nebo terapeutických zákroků. Trokar systému AirSeal® IFS je indikován k použití s vizualizací nebo bez ní.

Systém AirSeal IFS má tři pracovní režimy:

1. **Režim AirSeal (obr. 9)**
2. **Režim odsávání kouře (obr. 10)**
3. **Režim standardní insuflace (obr. 11)**

### **AirSeal Mode (Režim AirSeal):**

Při použití v režimu AirSeal během laparoskopických operačních výkonů zajišťuje systém AirSeal IFS stabilní pneumoperitoneum přívodem plynného CO<sub>2</sub> a trvalé odsávání kouře; je nutno používat systém AirSeal IFS, přístupový port AirSeal a trojcestný hadičkový set AirSeal s filtrem s aktivním uhlím. Trojcestný hadičkový set s filtrem s aktivním uhlím se používá ke spojení přístupového portu AirSeal se systémem AirSeal IFS (obr. 9).

### **Smoke Evacuation Mode (Režim odsávání kouře):**

Při použití v režimu odsávání kouře během laparoskopických operačních výkonů zajišťuje systém AirSeal IFS přívod plynného CO<sub>2</sub> a trvalé odsávání kouře; je nutno používat systém AirSeal IFS, dva konvenční trokary (nikoli typu AirSeal) se standardními porty typu Luer a bifurkovaný hadičkový set s odsáváním kouře s filtrem s aktivním uhlím. Dva konvenční trokary se používají k připojení bifurkovaného hadičkového setu s odsáváním kouře s filtrem s aktivním uhlím pro přívod plynného CO<sub>2</sub> a současně jako cesta pro odsávání kouře. Bifurkovaný hadičkový set s odsáváním kouře s filtrem s aktivním uhlím má bifurkaci, která umožňuje připojení dvou konvenčních trokarů k systému AirSeal IFS (obr. 10).

### **Standard Insufflation Mode (Režim standardní insuflace):**

Při použití v režimu standardní insuflace během laparoskopických operačních výkonů zajišťuje systém AirSeal IFS přívod plynného CO<sub>2</sub> a standardní insuflaci stejným způsobem, jako konvenční insuflátory; je nutno používat systém AirSeal IFS, jeden konvenční trokar (*nikoli typu AirSeal*) se standardním portem typu Luer a jednocestný hadičkový set s filtrem. Na port typu Luer na trokaru se napojuje jednocestný hadičkový set s filtrem ke standardní insuflaci a přívodu plynného CO<sub>2</sub>. Jednocestný hadičkový set s filtrem spojuje jeden konvenční trokar se systémem AirSeal IFS (obr. 11).

### **Přístupový port AirSeal má dvě možná provedení:**

1. **Přístupový port bez ostří s optickým členem (obr. 2 a 3)**
2. **Přístupový port s tupým koncem (obr. 4)**

Pokud jsou pro primární přístup použity přístupové porty bez ostří s optickým členem, doporučuje se použít laparoskopu k vizualizaci, aby byl přístup do břišní dutiny bezpečný.

### **Hadičkové sady AirSeal mají tři možná provedení:**

1. **Trojcestný hadičkový set s filtrem s aktivním uhlím (obr. 6)**
2. **Bifurkovaný hadičkový set s odsáváním kouře s filtrem s aktivním uhlím (obr. 7)**
3. **Jednocestný hadičkový set s filtrem (obr. 8)**

Zajistěte, aby byl použit hadičkový set vhodný pro režim zvolený na systému AirSeal IFS. Pokud je vložen nesprávný hadičkový set, nebude režim zvolený na systému AirSeal IFS funkční a zobrazí se varovná zpráva.

Hadičkové sady s filtrem nejsou určeny k nasávání tekutin. Když se do filtru dostane tekutina, zobrazí se na displeji s dotykovou obrazovkou systému AirSeal IFS varovná zpráva. Pokud k tomu dojde, je nutno zkontrolovat umístění kanyly a připravit výměnu hadičkového setu.

### **VAROVÁNÍ:**

- Pokud nebudete řádně dodržovat návod k použití, může to vést k závažným chirurgickým následkům.
- Komponenty systému AirSeal smí používat pouze kvalifikovaní lékaři se znalostmi, zkušenostmi a proškolením v laparoskopických technikách.
- Tento návod k použití nezahmňuje popis ani pokyny k chirurgickým technikám či laparoskopickým výkonům. Stanovení vhodnosti typu výkonu, který má být proveden za použití těchto produktů a určení specifické techniky u jednotlivých pacientů je zodpovědností lékaře provádějícího příslušný výkon.
- Příložené komponenty systému AirSeal jsou sterilní pouze v případě, že jsou použity před uplynutím doby použitelnosti a že balení není otevřeno ani poškozeno. NEPOUŽÍVEJTE po uplynutí doby použitelnosti, anebo pokud je balení otevřeno nebo poškozeno.
- Všechny prostředky systému AirSeal (přístupové porty a hadičkové sady) určené k jednomu použití jsou baleny a sterilizovány k použití pouze u jednoho pacienta. Nepoužívejte opakovaně, nepřeprocessujte, ani znovu nesterilizujte. Opakovaným použitím, přeprocessáním nebo opakovanou sterilizací může dojít k narušení strukturální integrity prostředku anebo k selhání prostředku, což může způsobit poranění, onemocnění nebo úmrtí pacienta. Rovněž přeprocessování nebo opakovaná sterilizace prostředků na jedno použití může vést k riziku kontaminace anebo u pacienta způsobit infekci nebo zkrácenou infekci mimo jiné včetně přenosu infekčních onemocnění z jednoho pacienta na jiného. Kontaminace prostředku může vést k poranění, onemocnění nebo úmrtí pacienta.
- Neponořujte špičku kanyly do irigačního roztoku ani do tělních tekutin.
- Alarm přístroje AirSeal IFS zazní, když jsou chladicí průduchy na stranách nebo na spodní straně ovládacího panelu zablokovány. Když alarm zazní, zkontrolujte všechny chladicí průduchy, zda nejsou zablokovány.
- Pokud taková blokáda NENÍ ZJIŠTĚNA a alarm dále zní, přestaňte přístroj AirSeal IFS používat a vraťte jej výrobci k servisu.

### **BEZPEČNOSTNÍ UPOZORNĚNÍ:**

- Vytvoření pneumoperitonea má známé fyziologické vedlejší účinky, ke kterým patří snížený žilní návrat, snížený srdeční výdej, snížená funkce ledvin, zvýšení nitrolebečního tlaku, zvýšený odpor v dýchacích cestách a snížená poddajnost plic.
- Minimálně invazivní výkony by měly provádět pouze osoby s dostatečným proškolením, znalostmi a příslušnou kvalifikací, seznámené s minimálně invazivními chirurgickými technikami. Než provedete jakýkoli minimálně invazivní výkon, prostudujte si lékařskou literaturu vztahující se k příslušným technikám, komplikacím a rizikům.
- Aby nedošlo k úrazu elektrickým proudem a riziku popálení jak u pacienta, tak u zdravotníků, a k poškození přístroje či lékařských nástrojů, je nezbytná důkladná znalost principů a technik používaných v laserových, elektrochirurgických a ultrazvukových výkonech. Ujistěte se, že není poškozena elektrická izolace ani uzemnění.
- Možnost zachycení vzduchu existuje za následujících podmínek:
  - Silný tlak působící zevně na břicho
  - Závažné a déletrávající prosakování zavedenými konvenčními porty nebo otevřenou incízi
  - Silné a déletrávající sání
- Za těchto výše popsaných podmínek je únik insuflačního plynu se vzduchem přechodný a zachycený vzduch bude nahrazen plynným CO<sub>2</sub>.
- Doporučuje se, aby při kolorektálních výkonech nebyl překročen insuflační tlak > 15 mm Hg.
- Vyšší insuflační tlak (> 15 mm Hg) při insuflaci oxidu uhličitého může zvýšit riziko hyperkapnie, subkutánního emfyzému, pneumomediastina, pneumothoraxu, pneumoskrota a retence moči.
- Pokud používáte volitelný zvukový uzávěr (8 mm, 12 mm):
  - Před použitím zkontrolujte pěnu a těsnění zvukového uzávěru.
  - Po použití zkontrolujte, zda není zvukový uzávěr jakkoli poškozen.
- Při zavádění přístupového portu AirSeal postupujte velice opatrně. Nesprávné použití tohoto výrobku může vést k život ohrožujícímu poranění vnitřních orgánů a cév.
  - Zajistěte vytvoření odpovídajícího pneumoperitonea nebo pneumorekta
  - Zkontrolujte, zda je pacient ve správné poloze a zda se orgány nachází mimo oblast penetrace
  - Přístupový port AirSeal nasměrujte směrem od významných cév a orgánů
  - Dbejte na to, aby vnější stěna přístupového portu AirSeal byla v kontaktu pouze s tkání a nebyla zachycena mezi tvrdými povrchy, jako jsou jiné nástroje nebo kosti, a aby do nich ani nenarážela. Dlouhodobý nebo náhlý kontakt s tvrdým povrchem může vést k poškození nebo rozbití přístupového portu.
  - Nevyvíjejte nadměrnou dopřednou sílu
- Přístupovým portem AirSeal by měly procházet pouze chirurgické ruční nástroje. Do přístupového portu AirSeal NEZAVÁDĚJTE trokary ani robotické nástroje. Nesprávné použití může vést k poškození nebo rozbití přístupového portu.
- Funkce přístupového portu bez ostří s optickým členem mají minimalizovat pravděpodobnost penetračního poranění základních anatomických struktur. Standardní bezpečnostní opatření používaná u všech podobných výkonů se zavedením nástroje však musí být dodržována.

- Přestože přístupový port bez ostří s optickým členem má konec „bez ostří“, je nutno postupovat opatrně jako u všech takových nástrojů, aby nedošlo k poranění velkých cév a jiných anatomických struktur (jako je např. střevo nebo mesenterium). Aby bylo minimalizováno riziko takového poranění, nezapomeňte:
  - Zajistit vytvoření odpovídajícího pneumoperitonea nebo pneumorekta;
  - Správné polohování pacienta, aby se napomohlo přemístění orgánů od místa penetrace;
  - Povšimnout si významných anatomických orientačních bodů;
  - Směřovat konec přístupového portu AirSeal směrem od velkých cév a důležitých struktur;
  - Nepoužívat nadměrnou či nekontrolovanou sílu;
  - Kde je to možné, použít přístup s použitím optické techniky.
- Jakmile je zajištěn částečný přístup, je k dokončení přístupu potřebná pouze velmi malá síla. Nadměrná síla by mohla způsobit poranění základních anatomických struktur.
- Jakmile je endoskopicky zajištěn vhodný přístup, nesmí být přístupový port bez ostří s optickým členem zasunován dále. Další zasunování přístupového portu by v této fázi mohlo způsobit poranění základních anatomických struktur.
- Jakmile získáte bezpečný a správný přístup, při každém použití přístupového portu AirSeal k insuflaci kontrolujte, zda je v dutině viditelná černá čára na distálním hrotu přístupového portu AirSeal.
- Nepokoušejte se o sekundární vpichy trokarem, dokud nebude zajištěno primární místo a vytvořen doporučený nitrobršňní tlak (obvykle 12–18 mm Hg).
- Po vytáhnutí kanyly z dutiny vždy zkontrolujte, zda došlo k hemostáze. Pokud nedošlo k hemostáze, je nutno k dosažení hemostázy použít příslušné techniky.
- Trojcestný hadičkový set s filtrem s aktivním uhlím a bifurkovaný hadičkový set s odsáváním kouře s filtrem s aktivním uhlím jsou vybaveny snímači tekutiny, které monitorují hladinu tekutiny ve filtrech a upozorní uživatele na možnou kontaminaci prostředků. Pokud je jímáč tekutiny v krytu filtru naplněn po hladinu tekutiny Low (Nízká), zobrazí se na displeji s dotykovou obrazovkou zpráva a zazní slyšitelný signál. Zkontrolujte pozici kanyly a hadičky, aby se do filtru pokud možno už nedostávala žádná další tekutina. V tuto chvíli znovu zaveďte obturátor do přístupového portu AirSeal a vyměňte hadičkový set s filtrem.
- Nástroje či prostředky, které přicházejí do kontaktu s tělními tekutinami, mohou vyžadovat speciální likvidaci, aby se předešlo biologické kontaminaci.

#### KONTRAINDIKACE

Použití tohoto systému AirSeal IFS je kontraindikováno tam, kde jsou kontraindikovány endoskopické minimálně invazivní techniky.

**DŮLEŽITÉ UPOZORNĚNÍ:** V této příloze informace je uveden návod k použití. Není to doporučení ani příručka pro techniku zavádění trokaru. Úspěšné použití trokaru bez ostří s optickým členem jako primárního portu po insuflaci závisí na rozpoznání a rozlišení jednotlivých tkáňových vrstev. Proto by měli začátečníci používat trokary s optickým členem po insuflaci jako sekundární port, aby získali zkušenosti a způsobilost k vizualizaci tkáňových vrstev při výkonu. Trokary s optickým členem by měly být používány po insuflaci jako primární port pouze po získání zkušenosti s výše uvedenou technikou.

**Poznámka:** Proveďte vizuální kontrolu systému(ů) sterilní bariéry, zda nedošlo k porušení jakéhokoliv obalu, které by mohlo mít vliv na sterilitu před použitím aseptických postupů. Prostředek nepoužívejte, došlo-li k jakýmkoli porušením systému sterilní bariéry.

#### NÁVOD K POUŽITÍ

**Všeobecný návod k použití přístupového portu AirSeal v režimu AirSeal:**

**Poznámka: Informace o funkcích souvisejících se specifickými revizemi softwaru naleznete v návodu k použití systému IFS.**

1. ZAPNĚTE systém AirSeal IFS stisknutím vypínače ON/OFF (Zapnuto/Vypnuto) (obr. 1, A).
  2. Zajišťovací páčka na systému AirSeal IFS musí být směrem nahoru nebo v poloze UNLOCK (Odemknout) (obr. 1, D).
  3. Před zavedením trojcestného hadičkového setu s filtrem umožněte provedení počáteční samokontroly.
  4. Za použití sterilní techniky vyjměte trojcestný hadičkový set z obalu. Aby nedošlo k poškození, prostředek na sterilní pole nevyklápejte.
  5. Zasadte kryt filtru trojcestného hadičkového setu do zdířky pro hadičkový set na přední straně systému AirSeal IFS (obr. 1, C).
  6. Stlačte zajišťovací páčku dolů do polohy LOCK (Uzamknout) (obr. 9); režim AirSeal se spustí automaticky.
- Poznámka:** Pokud je aktivován režim AirSeal, budete vyžadováni k výběru režimu AirSeal pro dospělé nebo děti. Podrobnosti o režimu AirSeal Pediatric (Pediatrický) naleznete v návodu k použití systému AirSeal IFS.
7. Na displeji s dotykovou obrazovkou systému AirSeal IFS ověřte, že intenzita přívodu plynu je dostatečná (obr. 1, B).
  8. Vyberte požadované nastavení průtoku a tlaku pro pacienta. Stisknutím tlačítka „Confirm“ (Potvrdit) potvrdíte nastavení pacienta.

**Další pokyny pro zavádění Veressovy jehly s přístupovým portem bez ostří s optickým členem jsou uvedeny níže. Tato technika se nepoužívá k přístupu do bršňní dutiny u tupého konce (technika dle Hassana). Pokud není použita technika zavádění Veressovy jehly, přejděte ke kroku 9.**

- K trojcestnému hadičkovému setu s filtrem s aktivním uhlím je předem připojen jednocestný adaptér.
- Připojte jednocestný adaptér k portu typu Luer Veressovy jehly a jehlu zaveďte v souladu s pokyny výrobce.
- Na displeji s dotykovou obrazovkou systému AirSeal IFS nastavte potřebné hodnoty průtoku a tlaku.
- Na displeji s dotykovou obrazovkou systému AirSeal IFS stiskněte tlačítko „Start“ a počáteční insuflace bude zahájena.
- Po provedení počáteční insuflace odpojte trojcestný hadičkový set s filtrem s aktivním uhlím od jednocestného adaptéru.
- Vytáhněte Veressovu jehlu.

**Pokud není přístupový port AirSeal první zaváděný trokar, ponechejte jednocestný adaptér připojený k trojcestnému hadičkovému setu s filtrem s aktivním uhlím a převeďte jednocestný adaptér k portu typu Luer první zavedeného konvenčního trokaru. Jednocestný adaptér odstraňte až po zavedení přístupového portu AirSeal.**

9. Za použití sterilní techniky vyjměte přístupový port AirSeal a voltelný zvukový uzávěr (8 mm, 12 mm) z obalu. Aby nedošlo k poškození, prostředek na sterilní pole nevyklápejte.
10. Přístupový port AirSeal (obturátor a kanyla) je dodáván v obalu předem sestavený, takže není nutno jej sestavovat. Poznámka: Pokud je vyžadováno přístupový port sestavit, zaveďte obturátor do kanyly, až do sebe bezpečně zapadnou.
11. Ujistěte se, že obturátor a kanyla jsou správně sestaveny. **Poznámka:** Pokud používáte přístupový port s tupým koncem, zajistěte, aby byla na svém místě také pružinová kotva (obr. 4, D).
12. Podle standardních chirurgických postupů proveďte incizi. (Poznámka: Incize musí být dostatečně velká pro průměr kanyly. Nedostatečná incize může způsobit zvýšený odpor při zavádění a tedy i větší potřebnou sílu při penetraci, a může případně vést ke ztrátě kontroly při vstupu.)

**Sestavený přístupový port je připraven k zavedení. Pokud používáte přístupový port s tupým koncem, použijte příslušnou laparoskopickou techniku přístupu (technika dle Hassana).**

13. Zaveďte sestavený přístupový port kožní incizi kruhovým pohybem pod úhlem 30° až 90°. Na nukojet vyvíjejte trvalý, ale řízený tlak směrem dolů.
  14. Ujistěte se, že je přístupový port správně zaveden. V této fázi nevytahujte obturátor z kanyly. **Poznámka:** Pokud používáte přístupový port s tupým koncem, pružinová kotva musí být obvyklým způsobem zajištěna stehem, dolů k břichu pacienta.
  15. Při každém použití přístupového portu AirSeal k insuflaci kontrolujte, zda je v dutině viditelná černá čára na distálním hrotu přístupového portu AirSeal.
  16. Vyjměte uzávěr rozbočky na straně kanyly na přístupovém portu AirSeal a připojte distální konec trojcestného hadičkového setu s filtrem s aktivním uhlím k rozbočce kanyly a upevněte jej.
- Poznámka:** Pokud nejsou hadičkový set AirSeal a přístupový port řádně dotaženy, nemusí údaj o tlaku na přístroji uvádět tlak, který pacient pociťuje. Bezpečné připojení lze vizuálně potvrdit, když se jedna z bílých lamel na terčovém konektoru hadičkového setu zároveň přímo s horní částí přístupového portu (obr. 15). Při pohledu přímo do terčového konce přístupového portu, když je hadičkový set připojen, by měla jedna z lamel na spojovacím dílu hadičkového setu ležet přímo kolmo na přístupový port (obr. 16).
- 17. AirSeal se spustí automaticky. Nechte obturátor na místě, dokud nezazní zvukový tón a nezobrazí se zelená zpráva „AirSeal active“ (AirSeal aktivní).

28. Vytáhnete obturator z kanyly tak, že stisknete tlačítka západky na obturatoru, a tím oba prostředky odemknete. **Poznámka:** Přístupový port s tupým koncem nemá tlačítka západek, může tedy být vytažen přímým tahem za obturator ven z kanyly.
29. Jakmile je režim AirSeal aktivní a obturator je vytažen z kanyly AirSeal, bude průtok regulován automaticky. **Poznámka:** Intenzitu odsávání kouře lze nastavit na nastavení High (Vysoká) nebo Low (Nízká).
20. Podle potřeby lze v tuto chvíli umístit na kanylu volitelný zvukový uzávěr (8 mm, 12 mm). **(Poznámka:** Pokud použijete volitelný zvukový uzávěr, při zavádění ostrého nebo velkého zařízení přes kanylu postupujte opatrně. Volitelný zvukový uzávěr lze z kanyly sejmut kdykoli během výkonu a měl by být sejmut před zavedením jakýchkoli ostrých nebo velkých předmětů do kanyly.)
21. Po dokončení výkonu stisknete tlačítko STOP (STOP) na displeji s dotykovou obrazovkou, a zastavte tak insuflací AirSeal **(Poznámka:** to bude mít za následek ztrátu pneumoperitonea). Pomocí standardní laparoskopické techniky vytáhnete všechny chirurgické prostředky a uzavřete obvyklým způsobem příslušná místa pro porty. **Poznámka:** Jakmile je zákrok dokončen, režim AirSeal před vypnutím provede závěrečnou kalibraci. Během tohoto postupu se nevytváří tlak ani neprobíhá insuflace. Před vyjmutím trojcestného hadičkového setu s filtrem s aktivním uhlím nebo vypnutím systému iFS vyčkejte na dokončení závěrečné kalibrace.
22. Posuňte páčku na systému AirSeal iFS nahoru nebo do polohy UNLOCK (Odemknout).
23. Vytáhnete trojcestný hadičkový set s filtrem s aktivním uhlím ze zdítky pro hadičkový set systému AirSeal iFS.
24. Vzhledem k tomu, že se zkouška funkčnosti provádí během počátečního spuštění, musí být jednotka před každým chirurgickým zákrokem vypnuta a znovu zapnuta.

#### **Další pokyny pro zavedení přístupového portu bez ostří s optickým členem za použití endoskopu jsou uvedeny níže.**

#### **Poznámka: Informace o funkcích souvisejících se specifickými revizemi softwaru naleznete v návodu k použití systému iFS.**

1. Připojte endoskop s úhlem 0° ke zdroji světla a k monitoru podle pokynů výrobce. Ověřte si správné připojení endoskopu a nastavte na monitoru jas obrazu.
2. Zaveďte endoskop do otvoru na proximálním konci rukojeti přístupového portu bez ostří s optickým členem, až dosáhne k distálnímu konci přístupového portu. (Zavedení endoskopu; obr. 12).
3. Podle potřeby endoskopem otáčejte. (Zavedení endoskopu; obr. 13).
4. Aby byl na monitoru získán jasný obraz, zaveďte endoskop do rukojeti přístupového portu bez ostří s optickým členem, dotkněte se koncem s optickým členem vhodného měkkého povrchu a zaoštěte kameru.
5. Podle standardních chirurgických postupů proveďte incizi. **(Poznámka:** Incize musí být dostatečně velká pro průměr kanyly. Nedostatečná incize může způsobit zvýšený odpor při zavádění a tedy i větší potřebnou sílu při penetraci, a může případně vést ke ztrátě kontroly při vstupu.) Zaveďte sestavený přístupový port kožní incizi krouživým pohybem pod úhlem 30° až 90°. Na rukojeti vyvíjejte trvalý, ale řízený tlak směrem dolů.
6. Během zavádění přístupového portu si zobrazte penetraci přístupového portu jednotlivými tkáňovými úrovněmi pomocí laparoadoskopu. Jak přístupový port postupuje kupředu, mohou být viditelné jednotlivé tkáňové úrovně.
7. Vytáhnete laparoadoskop z přístupového portu bez ostří s optickým členem (vytažení endoskopu; obr. 14).
8. Pokračujte ve výkonu podle výše uvedených pokynů, počínaje krokem 13.

#### **NÁVOD K POUŽITÍ**

#### **Návod k použití přístupového portu AirSeal v režimu AirSeal u transanálních výkonů:**

#### **Poznámka: Informace o funkcích souvisejících se specifickými revizemi softwaru naleznete v návodu k použití systému iFS.**

1. ZAPNĚTE systém AirSeal iFS stisknutím vypínače ON/OFF (Zapnuto/Vypnuto) (obr. 1, A).
2. Zajišťovací páčka na systému AirSeal iFS musí být směrem nahoru nebo v poloze UNLOCK (Odemknout) (obr. 1, D).
3. Před zavedením trojcestného hadičkového setu s filtrem umožněte provedení počáteční samokontroly.
4. Za použití sterilní techniky vyjměte trojcestný hadičkový set z obalu. Aby nedošlo k poškození, prostředek na sterilní pole nevykládejte.
5. Zasadte kryt filtru trojcestného hadičkového setu do zdítky pro hadičkový set na přední straně systému AirSeal iFS (obr. 1, C).
6. Stlačte zajišťovací páčku dolů do polohy LOCK (Uzamknout) (obr. 9); režim AirSeal se spustí automaticky.
- Poznámka:** Pokud je aktivován režim AirSeal, budete vyzváni k výběru režimu AirSeal pro dospělé nebo děti. Podrobnosti o režimu AirSeal Pediatric (Pediatrický) naleznete v návodu k použití systému AirSeal iFS.
7. Na displeji s dotykovou obrazovkou systému AirSeal iFS ověřte, že intenzita přívodu plynu je dostatečná (obr. 1, B).
8. Vyberte požadované nastavení průtoku a tlaku pro pacienta. Stisknutím tlačítka „Confirm“ (Potvrdit) potvrďte nastavení pacienta.
9. Za použití sterilní techniky vyjměte přístupový port AirSeal a volitelný zvukový uzávěr (8 mm, 12 mm) z obalu. Aby nedošlo k poškození, prostředek na sterilní pole nevykládejte.
10. Přístupový port AirSeal (obturator a kanyla) je dodáván v obalu předem sestavený, takže není nutno jej sestavovat.
- Poznámka:** Pokud je vyžadováno přístupový port sestavit, zaveďte obturator do kanyly, až do sebe bezpečně zapadnou.
11. Ujistěte se, že obturator a kanyla jsou správně sestaveny.
12. Postupujte podle návodu k použití dodaného výrobcem vybraného zařízení transanální přístupové platformy k zavedení do rektu.
13. Přístupový port zaveďte do zařízení transanální přístupové platformy příslušným lumínem nebo kanylou. Přístupový port zavádějte do zařízení transanální přístupové platformy pomocí krouživého pohybu pod úhlem 30° až 90°. Na přístupový port působte stálým, ale kontrolovaným tlakem v ose, až bude zajištěn v zařízení transanální přístupové platformy.
14. Ujistěte se, že jsou obturator a kanyla správně zavedeny. V této fázi nevytahujte obturator z kanyly.
15. Vyjměte uzávěr rozbočky na straně kanyly na přístupovém portu AirSeal a připojte distální konec trojcestného hadičkového setu s filtrem s aktivním uhlím k rozbočce kanyly a upevněte jej.
- Poznámka:** Pokud nejsou hadičkový set AirSeal a přístupový port řádně dotaženy, nemusí údaj o tlaku na přístroji uvádět tlak, který pacient pociťuje. Bezpečné připojení lze vizuálně potvrdit, když se jedna z bílých lamel na terčovém konektoru hadičkového setu zarovná přímo s horní částí přístupového portu (obr. 15). Při pohledu přímo do terčového konce přístupového portu, když je hadičkový set připojen, by měla jedna z lamel na spojovacím dílu hadičkového setu ležet přímo kolmo na přístupový port (obr. 16).
16. AirSeal se spustí automaticky. Nechte obturator na místě, dokud nezazní zvukový tón a nezobrazí se zelená zpráva „AirSeal active“ (AirSeal aktivní).
17. Vytáhnete obturator z kanyly tak, že stisknete tlačítka západky na obturatoru, a tím oba prostředky odemknete.
18. Jakmile je režim AirSeal aktivní a obturator je vytažen z kanyly AirSeal, bude průtok regulován automaticky.
- Poznámka:** Intenzitu odsávání kouře lze nastavit na nastavení High (Vysoká) nebo Low (Nízká).
19. Podle potřeby lze v tuto chvíli umístit na kanylu volitelný zvukový uzávěr (8 mm, 12 mm). **(Poznámka:** Pokud použijete volitelný zvukový uzávěr, při zavádění ostrého nebo velkého zařízení přes kanylu postupujte opatrně. Volitelný zvukový uzávěr lze z kanyly sejmut kdykoli během výkonu a měl by být sejmut před zavedením jakéhokoliv ostrého nebo velkého předmětu do kanyly.)
20. Po dokončení výkonu stisknete tlačítko STOP (STOP) na displeji s dotykovou obrazovkou, a zastavte tak insuflací AirSeal **(Poznámka:** to bude mít za následek ztrátu pneumoperitonea). Pomocí standardní laparoskopické techniky vytáhnete všechny chirurgické prostředky a uzavřete obvyklým způsobem příslušná místa pro porty.
- Poznámka:** Jakmile je zákrok dokončen, režim AirSeal před vypnutím provede závěrečnou kalibraci. Během tohoto postupu se nevytváří tlak ani neprobíhá insuflace. Před vyjmutím trojcestného hadičkového setu s filtrem s aktivním uhlím nebo vypnutím systému iFS vyčkejte na dokončení závěrečné kalibrace.
21. Posuňte páčku na systému AirSeal iFS nahoru nebo do polohy UNLOCK (Odemknout).
22. Vytáhnete trojcestný hadičkový set s filtrem s aktivním uhlím ze zdítky pro hadičkový set systému AirSeal iFS.
23. Vzhledem k tomu, že se zkouška funkčnosti provádí během počátečního spuštění, musí být jednotka před každým chirurgickým zákrokem vypnuta a znovu zapnuta.

#### **Všeobecný návod k použití v režimech odsávání kouře a standardní insuflace:**

#### **POČATEČNÍ INSUFILACE S VERRESSOVOU JEHLU**

#### **Poznámka: Informace o funkcích souvisejících se specifickými revizemi softwaru naleznete v návodu k použití systému iFS.**

1. ZAPNĚTE systém AirSeal iFS stisknutím vypínače ON/OFF (Zapnuto/Vypnuto) (obr. 1, A).
2. Po diagnostické samočinné kontrole zvolte na displeji s dotykovou obrazovkou systému AirSeal iFS v seznamu volby režimu buďto režim odsávání kouře, nebo režim standardní insuflace (obr. 1, B).
3. Na displeji s dotykovou obrazovkou systému AirSeal iFS ověřte, že intenzita přívodu plynu je dostatečná (obr. 1, B).

- Připojte k systému AirSeal IFS příslušný hadičkový set (viz specifické pokyny pro připojení bifurkovaného hadičkového setu s odsáváním kouře s filtrem s aktivním uhlím níže).  
**Poznámka:** Na rozdíl od ostatních hadičkových setů se jednocestný hadičkový set připojuje ke konektoru pro připojení insuflační hadičky na přední straně systému AirSeal IFS.
- Připojte obvyklým způsobem konektor typu Luer Lock hadičkového setu ke konci Veressovy jehly nebo konvenčního trokaru. (Viz specifické pokyny pro připojení bifurkovaného hadičkového setu s odsáváním kouře s filtrem s aktivním uhlím níže)
- Na displeji s dotykovou obrazovkou systému AirSeal IFS nastavte potřebné hodnoty průtoku a tlaku. Stisknutím tlačítka „Confirm“ (Potvrdit) potvrďte nastavení pacienta.
- Na displeji s dotykovou obrazovkou systému AirSeal IFS stiskněte tlačítko „Start“ a počáteční insuflace bude zahájena.
- Po provedení počáteční insuflace **zaveďte konvenční trokar se standardními porty typu Luer.**
- Po dokončení výkonu stiskněte tlačítko **STOP** (STOP) na displeji s dotykovou obrazovkou, a zastavte tak insuflací (**Poznámka:** to bude mít za následek ztrátu pneumoperitonea). Pomocí standardní laparoskopické techniky vytáhněte všechny chirurgické prostředky a uzavřete obvyklým způsobem příslušná místa pro porty.
- Vytáhněte hadičkový set ze systému AirSeal IFS příslušný (viz specifické pokyny pro vytažení bifurkovaného hadičkového setu s odsáváním kouře s filtrem s aktivním uhlím níže).
- Vzhledem k tomu, že se zkouška funkčnosti provádí během počátečního spuštění, musí být jednotka před každým chirurgickým zákroem vypnuta a znovu zapnuta.

#### **Viz další pokyny pro bifurkovaný hadičkový set s odsáváním kouře s filtrem s aktivním uhlím níže**

#### **Pro použití se dvěma konvenčními trokary se standardními porty typu Luer a s bifurkovaným hadičkovým setem s odsáváním kouře s filtrem s aktivním uhlím.**

Průhledná hadička: Insuflace

Modré hadička: Odsávání kouře

#### **Připojení bifurkovaného hadičkového setu s odsáváním kouře s filtrem s aktivním uhlím**

#### **Poznámka: Informace o funkcích souvisejících se specifickými revizemi softwaru naleznete v návodu k použití systému IFS.**

- Zajišťovací páčka na systému AirSeal IFS musí být směrem nahoru nebo v poloze UNLOCK (Odemknout) (obr. 1, D).
- Zasadte kryt filtru bifurkovaného hadičkového setu s odsáváním kouře s filtrem s aktivním uhlím do zdíčky pro hadičkový set na přední straně systému AirSeal IFS (obr. 1, C).
- Stlačte zajišťovací páčku dolů do polohy LOCK (Uzamknout).
- Připojte Veressovu jehlu ke konektoru typu Luer Lock průhledné hadičky bifurkovaného hadičkového setu s odsáváním kouře s filtrem s aktivním uhlím.
- Na displeji s dotykovou obrazovkou systému AirSeal IFS nastavte potřebné hodnoty průtoku a tlaku. Stisknutím tlačítka „Confirm“ (Potvrdit) potvrďte nastavení pacienta.
- Na displeji s dotykovou obrazovkou systému AirSeal IFS stiskněte tlačítko „Start“ a počáteční insuflace bude zahájena.
- Ujistěte se, že jsou kanyly správně zavedeny.
- Vytáhněte Veressovu jehlu a odpojte ji od bifurkovaného hadičkového setu s odsáváním kouře s filtrem s aktivním uhlím.
- Připojte konektor typu Luer Lock **CLEAR** (průhledné) hadičky bifurkovaného hadičkového setu s odsáváním kouře s filtrem s aktivním uhlím ke konvenční kanyle. Otevřete přítokový ventil / uzavírací kohout.
- Postupujte podle pokynů na displeji s dotykovou obrazovkou systému AirSeal IFS. Po vyzvání připojte konektor typu Luer Lock **BLUE** (MODRÉ) hadičky bifurkovaného hadičkového setu s odsáváním kouře s filtrem s aktivním uhlím k jiné konvenční kanyle. Insuflace zůstane aktivní.
- Jakmile je konektor typu Luer Lock **BLUE** (MODRÉ) hadičky bifurkovaného hadičkového setu s odsáváním kouře s filtrem s aktivním uhlím připojen ke druhé konvenční kanyle, je odsávání kouře aktivováno.

**ZÁVAŽNÉ INCIDENTY – Jakékoli závažné incidenty při používání tohoto prostředku neprodleně nahlaste oddělení zákaznických služeb společnosti CONMED nebo místnímu zástupci společnosti CONMED. E-mail: CustomerExperience@CONMED.com**

#### **Vytažení bifurkovaného hadičkového setu s odsáváním kouře s filtrem s aktivním uhlím**

#### **Poznámka: Informace o funkcích souvisejících se specifickými revizemi softwaru naleznete v návodu k použití systému IFS.**

- Po dokončení výkonu stiskněte tlačítko **STOP** (STOP) na displeji s dotykovou obrazovkou, a zastavte tak insuflací (**Poznámka:** to bude mít za následek ztrátu pneumoperitonea). Pomocí standardní laparoskopické techniky vytáhněte všechny chirurgické prostředky a uzavřete obvyklým způsobem příslušná místa pro porty.
- Posuňte páčku na systému AirSeal IFS nahoru nebo do polohy UNLOCK (Odemknout).
- Vytáhněte bifurkovaný hadičkový set s odsáváním kouře s filtrem s aktivním uhlím ze zdíčky pro hadičkový set systému AirSeal IFS.
- Vzhledem k tomu, že se zkouška funkčnosti provádí během počátečního spuštění, musí být jednotka před každým chirurgickým zákroem vypnuta a znovu zapnuta.

#### **LIKVIDACE**

Prostředek zlikvidujte v souladu s požadavky místního zdravotnického zařízení.

#### **ZPŮSOB DODÁNÍ**

Všechny optické přístupové porty AirSeal, nízkoprofilové přístupové porty AirSeal, volitelné zvukové uzávěry (8 mm, 12 mm), přístupové porty s tupým koncem AirSeal, kanyly AirSeal, bifurkované hadičkové sety s odsáváním kouře s filtrem s aktivním uhlím, trojcestné hadičkové sety s filtrem s aktivním uhlím, jednocestné hadičkové sety a jednocestné adaptéry AirSeal se dodávají sterilní, jsou sterilizovány gama zářením a jsou určeny k použití u jednoho pacienta. Po použití je zlikvidujte. Přístupové porty AirSeal, zvukové uzávěry a hadičkové sety neobsahují přírodní latex.

Přístroj AirSeal IFS je nesterilní a opakovaně použitelný.

AirSeal® je registrovaná obchodní známka společnosti CONMED Corporation.

**ŘEX ONLY UPOZORNĚNÍ:** Federální zákon (USA) omezuje prodej tohoto prostředku na lékaře nebo na lékařský předpis.

**AirSeal<sup>®</sup> IFS****AirSeal<sup>®</sup> munkacsatorna**

penge nélküli optikai végű; alacsony profilú, penge nélküli optikai végű; tenyérbe fogható markolattal ellátott, penge nélküli optikai végű és tompa végű munkacsatorna

**AirSeal<sup>®</sup> szűrővel ellátott csőszerelék**

aktívcszén-szűrővel ellátott háromlumenű csőszerelék; aktívcszén-szűrővel ellátott kettéágazó füstelvezető csőszerelék; szűrővel ellátott egylumenű csőszerelék

**Vázlatos nézet: Ábrák és elnevezések**

<p><b>AirSeal IFS (1. ábra)</b></p> <p>A. ON/OFF (be/ki) gomb            B. Érintőképernyős kijelző            C. Csatlakozóaljzat az AirSeal és a füstelvezető üzemmódhoz            D. Zárókar a csőszerelék rögzítéséhez            E. Az inszufflátorcső csatlakozója a standard inszufflációs üzemmódhoz</p> <p><b>Penge nélküli munkacsatornák (2–3. ábra)</b></p> <p>A. Elosztó dugója            B. Kanül            C. Penge nélküli optikai végű obturátor            D. Kanülretesz</p> <p><b>Tompá végű munkacsatornák (4. ábra)</b></p> <p>A. Elosztó dugója            B. Kanül            C. Tompa végű obturátor            D. Menetes horgony – Varratrogító horgonyeszköz</p> <p><b>Opcionális hangtompító kupak (5. ábra)</b></p>	<p><b>Csőszerelékek (6-7-8. ábra)</b></p> <p>A. Szűrő            B. 2,44–3,05 m-es cső            C. Luer-zárás illesztés            D. Egylumenű adapterszerelék            E. Hüvelykujjperem</p> <p><b>AirSeal üzemmód (9. ábra)</b></p> <p><b>Füstelvezető üzemmód (10. ábra)</b></p> <p><b>Standard inszufflációs üzemmód (11. ábra)</b></p> <p><b>Endoszkóp-behelyezés (12. ábra)</b></p> <p>A. AirSeal munkacsatorna            B. Megfelelő méretű endoszkóp</p> <p><b>Az endoszkóp behelyezése (13. ábra)</b></p> <p>A. A behelyezés közben végzett forgató mozgás csökkenti a behelyezéshez szükséges erőt</p> <p><b>Az endoszkóp eltávolítása (14. ábra)</b></p> <p>A. Húzza vissza az endoszkópot            B. A kanül kioldásához itt nyomja meg</p> <p><b>Az AirSeal munkacsatorna és a hozzá megfelelően csatlakoztatott AirSeal csőkészlet felüléneztetből (15. ábra)</b></p> <p>A. A csőkészlet célzószkópjának csatlakozóamellája</p> <p><b>Az AirSeal munkacsatorna és a hozzá megfelelően csatlakoztatott AirSeal csőkészlet elülső nézetből (16. ábra)</b></p> <p>A. A csőkészlet célzószkópjának csatlakozóamellája</p>
--	--

**FONTOS! A TERMÉK HASZNÁLATA ELŐTT FIGYELMESEN OLVASSA EL AZ ITT KÖVETKEZŐ INFORMÁCIÓKAT.**

Ez a dokumentum arra szolgál, hogy segítse a termék használatát. Nem a műtéti technikákra vonatkozó tájékoztató. Olvassa el továbbá az AirSeal IFS használati utasítását, ahol az AirSeal IFS-re és az összes működési módra vonatkozó összes instrukciót megtalálja.

**ALKALMAZÁSI TERÜLET:**

A CONMED AirSeal<sup>®</sup> IFS készülék diagnosztikai és/vagy terápiás, endoszkóppal végzett eljárásokban való használatra szolgál egy üreg gáztöltéssel történő kifizetésére, endoszkópos műszerek számára gázzal tömített, akadálymentes belépesi útvonal kialakítására és fenntartására, valamint a műtéti eljárás során képződő füst eltávolítására. Különböző, inszufflációt igénylő hasi, mellkasi és gyermekgyógyászati beavatkozások során torakoszkópiás és laparoszkópiás berendezésekhez használható a hasüreg vagy mellüreg gázzal történő feltöltésére, így kialakítva és fenntartva egy gázzal lezárt, elzáródásmentes útvonalat a műszerek számára és a műtéti eljárás során képződő füst eltávolítására. Ez az eszköz használható a végbél és a vastagbél felfújására is endoszkópos vizsgálat, diagnosztikák és kezelés céljából. Az AirSeal<sup>®</sup> IFS készülék trokárjának használata vizualizálás mellett és vizualizáció nélkül is javallott.

**Az AirSeal IFS három üzemmóddal rendelkezik:**

1. AirSeal üzemmód (9. ábra)
2. Füstelvezető üzemmód (10. ábra)
3. Standard inszufflációs üzemmód (11. ábra)

**AirSeal üzemmód:**

AirSeal üzemmódban az AirSeal IFS stabil pneumoperitoneumot fenntartó CO<sub>2</sub> gázbeáramlást és folyamatos füstelvezetést biztosít a laparoendoszkópos műtét során; ehhez AirSeal IFS, AirSeal munkacsatorna, valamint aktívcszén-szűrővel ellátott háromlumenű csőszerelék alkalmazása szükséges. Az aktívcszén-szűrővel ellátott háromlumenű csőszerelékkel köthető össze az AirSeal munkacsatorna az AirSeal IFS készülékkel (9. ábra).

**Füstelvezető üzemmód:**

Füstelvezető üzemmódban az AirSeal IFS CO<sub>2</sub> gázbeáramlást és folyamatos füstelvezetést biztosít a laparoendoszkópos műtét során; ehhez AirSeal IFS, két, standard Luer-zárral ellátott hagyományos (nem AirSeal) trokár, valamint aktívcszén-szűrővel ellátott kettéágazó füstelvezető csőszerelék alkalmazása szükséges. A két hagyományos trokár segítségével csatlakoztatható a CO<sub>2</sub> gázbeáramlást biztosító, aktívcszén-szűrővel ellátott kettéágazó füstelvezető csőszerelék a füstelvezető útvonalon keresztül. Az aktívcszén-szűrővel ellátott kettéágazó füstelvezető csőszerelék kettéágazik, és a két hagyományos trokárt összeköti az AirSeal IFS készülékkel (10. ábra).

**Standard inszufflációs üzemmód:**

Standard inszufflációs üzemmódban az AirSeal IFS ugyanolyan módon biztosít CO<sub>2</sub> gázbeáramlást és standard inszufflációt a laparoendoszkópos műtét során, mint a hagyományos inszufflátorok; ehhez AirSeal IFS, egy standard Luer-zárral ellátott hagyományos (nem AirSeal) trokár és egy szűrővel ellátott egylumenű csőszerelék szükséges. A trokárón lévő Luer-csatlakozó a szűrővel ellátott egylumenű csőszerelékhez csatlakozik, amely standard inszufflációt és CO<sub>2</sub> gázbeáramlást biztosít. A szűrővel ellátott egylumenű csőszerelék kapcsolja össze a hagyományos trokárt az AirSeal IFS készülékkel (11. ábra).

**Az AirSeal munkacsatorna két konfigurációban áll rendelkezésre:**

1. Penge nélküli optikai végű munkacsatorna (2. és 3. ábra)
2. Tompa végű munkacsatorna (4. ábra)

Ha a két penge nélküli optikai végű munkacsatorna közül bármelyiket használják az elsődleges behatoláshoz, a hasüregbe történő biztonságos belépés érdekében a vizualizáláshoz ajánlatos laparoszkópot használni.

**Az AirSeal csőszerelék három konfigurációban áll rendelkezésre:**

1. Aktívcszén-szűrővel ellátott háromlumenű csőszerelék (6. ábra)
2. Aktívcszén-szűrővel ellátott kettéágazó füstelvezető csőszerelék (7. ábra)
3. Szűrővel ellátott egylumenű csőszerelék (8. ábra)

Bizonyosodjon meg arról, hogy az AirSeal IFS-en kiválasztott üzemmódnak megfelelő csőszerelék alkalmazása. Nem megfelelő csőszerelék felhelyezése esetén a kiválasztott AirSeal IFS üzemmód nem halad tovább, és figyelmeztető üzenet jelenik meg.

A szűrővel ellátott csőszerelékeket nem folyadékbevitelre tervezték. Amennyiben a szűrőbe víz kerül, figyelmeztető üzenet jelenik meg az AirSeal IFS érintőképernyős kijelzőjén. Ha erre sor kerül, ellenőrizze a kanül helyzetét, és készüljön fel a csőszerelék cseréjére.

## VIGYÁZATI!

- A használati utasítások pontos követésének elmulasztása súlyos műtéti következményekkel járhat.
- Az AirSeal rendszert kizárólag a laparoszkópos technikákat ismerő, azokban képzett és járatos orvosok használhatják.
- Ez a használati útmutató nem tartalmaz műtéti technikákra vagy laparoszkópos eljárásokra vonatkozó leírásokat vagy utasításokat. Az eljárást végző orvos felőssége meghatározni a jelen termékek alkalmazásával végzendő eljárástípus megfelelőségét és az egyes betegnekél alkalmazandó technikát.
- Az AirSeal rendszer mellékelt komponensei csak abban az esetben sterilék, ha a lejárati idő előtt kerülnek felhasználásra, illetve ha a csomag bontatlan és nem sérült. NE használja a lejárati időn túl, illetve ha a csomagot felbontották vagy megsérült.
- Az összes egyszer használatos AirSeal rendszereszköz (munkascatorna és csőszerelék) kizárólag egy beteg történő használatra lett csomagolva és sterilizálva. Tilos újrafelhasználni, újrafeldolgozni és újraszterilizálni őket. Az újrafelhasználás, az újrafeldolgozás és az újraszterilizálás veszélyeztetheti az eszköz szerkezeti épségét, és/vagy az eszköz meghibásodását okozhatja, ez pedig a beteg sérüléséhez, betegségéhez vagy halálához vezethet. Emellett az egyszer használatos eszközök újrafeldolgozása vagy újraszterilizálása kontamináció veszélyével járhat, és/vagy a beteg fertőzését vagy keresztfertőzését okozhatja, többek között fertöző betegségek) átterjedése által egyik betegről a másikra. Az eszköz kontaminációja a beteg sérüléséhez, betegségéhez vagy halálához vezethet.
- A kanül végét ne merítse öblítő- vagy testfolyadékba.
- Az AirSeal IFS vészjelzője megszólal, ha a vezérlőkonzol oldalain vagy alján lévő szellőzőnyílások el vannak záródva. Ha felhangzik a vészjelzés, ellenőrizze, hogy nincsenek-e eltorlaszolva a szellőzőnyílások.
- Ha a fenti körülmények NEM állnak fenn, és a vészjelzés továbbra is szól, hagyja abba az AirSeal IFS használatát, és küldje vissza a gyártónak javításra.

## ÖVINTÉZKEDESEK:

- A pneumoperitoneum létrehozásának ismert fiziológiai mellékhatásai vannak, ide tartozik a csökkent vénás visszafolyás, csökkent perctérfogat, csökkent vesefunkció, megnövekedett intracranialis nyomás, megnövekedett légúti ellenállás és csökkent tüdőcompliance.
- Minimálisan invazív beavatkozást kizárólag a minimálisan invazív műtéti technikákban megfelelően képzett, azokban járatos és arra vonatkozó szakértelemmel rendelkező személyek végezhetnek. Bármilyen minimálisan invazív eljárás előtt tanulmányozza a technikákat, a komplikációkat és a kockázatokat az orvosi szakirodalomban.
- A beteg és az egészségügyi személyzet áramütési, illetve égési kockázatának, továbbá az eszközök és egyéb orvosi műszerek károsodásának elkerülése szempontjából alapvető fontosságú a lézeres, elektrotermikus és ultrahangos eljárásokban alkalmazott elvek és technikák alapos ismerete. Győződjön meg arról, hogy az elektromos szigetelés vagy földelés nem sérült.
- A következő körülmények mellett fennáll a levegő érbe kerülésének lehetősége:
  - A hasra kívülről alkalmazott erős nyomás
  - Más hagyományos porton vagy nyílt metszeten keresztül történő súlyos, elhúzódo szívárgás
  - Jelentős mértékű elhúzódo szívás
- A fent leírt körülmények mellett az inszufflációs gázt csak átmenetileg szorítja ki a levegő, és a beszívott levegő helyébe CO<sub>2</sub> lép.
- Coloretális eljárások során nem ajánlott a 15 Hgmm-nél nagyobb inszufflációs nyomás használata.
- Ha a szén-dioxiddal történő inszuffláció magas (> 15 Hgmm), megnövekedett a hypercarbia, a subcutan emphysema, a pneumomediastinum, a pneumothorax, a pneumocrotum és a vizeletretenció kockázata.
- Az opcionális hangtompító kupak (8 mm, 12 mm) alkalmazása esetén:
  - Használat előtt vizsgálja meg a hangtompító kupakban található habszivacsot és tömítést.
  - Használat után vizsgálja meg, hogy nem található-e fizikai sérülés a hangtompító kupakon.
- Rendkívüli óvatossággal járjon el az AirSeal munkascatorna behelyezésekor. A termék nem megfelelő használata a belső szervek és erek életveszélyes sérülését eredményezheti.

Győződjön meg arról, hogy létrejött a megfelelő pneumoperitoneum vagy pneumocrotum.

  - Győződjön meg arról, hogy a beteg megfelelően helyezkedik el, úgy, hogy a szervek a behatolási helytől távol fekszenek.
  - Irányítsa az AirSeal munkascatorna végét a nagyerektől és szervektől elfelé.
  - Ügyeljen arra, hogy az AirSeal munkascatorna külső fala csak a szövetekkel érintkezzen, és ne szoruljon be, illetve ne ütközzön kemény felületek, például más műszerek vagy csontok közé. A kemény felületekkel való tartós vagy hirtelen érintkezés a munkascatorna sérüléséhez vagy töréséhez vezethet.
  - Ne alkalmazzon túlzottan nagy lefelé irányuló erőt.
- Az AirSeal munkascatornán keresztül csak sebészeti kézi műszerek vezethetők be. NE vezessen be trokárt vagy robotikus műszereket az AirSeal munkascatornán keresztül. A nem megfelelő használat a munkascatorna sérüléséhez vagy töréséhez vezethet.
- A penge nélküli optikai végű munkascatorna úgy lett kialakítva, hogy a mélyben fekvő anatómiai képletek sérülésének valószínűsége a bevezetés során minimális legyen. Ennek ellenére minden ilyen bevezetésnél be kell tartani a standard óvintézkedéseket.
- Bár a penge nélküli optikai végű munkascatorna vége „pengementes”, mégis vigyázni kell, mint minden ilyen eszköz esetében, hogy a sebész elkerülje a nagyerek és egyéb anatómiai képletek (például a belek vagy a mesenterium) károsítását. Az ilyen sérülések kockázatának minimalizálása érdekében tartsa be a következőket:
  - Hozzon létre megfelelő pneumoperitoneumot vagy pneumocrotumot.
  - Megfelelően pozicionálja a beteget, olyan módon, hogy a szervek távol kerüljenek a bevezetés területétől.
  - Figyeljen a jelentős anatómiai tájékozódási pontokra.
  - Irányítsa az AirSeal munkascatorna végét a nagyerektől és képletektől elfelé.
  - Ne alkalmazzon túlzottan nagy vagy nem kontrollált erőt.
  - Ha lehetséges, mindig optikailag támogatott behatolási technikát alkalmazzon.
- A részleges behatolás elérése után a teljes behatoláshoz nagyon kis erőfeszítés szükséges. A túlságosan nagy erőfeszítés károsíthatja a mélyben fekvő anatómiai képleteket.
- Amikor a megfelelő behatolás endoszkópos módszerrel megtörtént, a penge nélküli optikai végű munkascatornát nem szabad további penetráció céljából előretolni. A munkascatorna további előretolása károsíthatja a mélyben fekvő anatómiai képleteket.
- Amikor biztonságos és megfelelő behatolást ért el, gondoskodjon arról, hogy az AirSeal munkascatorna disztális végénél levő fekete vonal mindig látható legyen az üregben belül, amikor az AirSeal munkascatornát inszuffláció céljára használja.
- Ne kísérleljen meg másodlagos trokárbeszúrásokat, amíg az elsődleges hely és az ajánlott intraabdominális nyomás (általában 12–18 Hgmm) létre nem jött.
- A kanülnek az üregből történő eltávolítása után mindig ellenőrizze a műtéti területen a vérárvadást. Amennyiben nem figyelhető meg vérárvadás, a megfelelő módszereket kell alkalmazni a vérárvadás eléréséhez.
- Az aktívszén-szűrővel ellátott háromlumennű csőszerelék és az aktívszén-szűrővel ellátott kettéágazó füstelvezető csőszerelék folyadékkézelésével van felszerelve, amely monitorozza a szűrőben lévő folyadékszintet, és figyelmezteti a felhasználót az eszköz esetleges kontaminálódására. Ha a szűrő burkolatának folyadécsapdája a „Low” (Alacsony) folyadékszintig megtelt, figyelmeztető üzenet jelenik meg az érintőképernyős kijelzőn, és a készülék hangjelzést ad. Ellenőrizni kell a kanül és a csőszerelék elhelyezését, hogy ne kerülhessen be több folyadék a szűrőbe. Ezen a ponton helyezze vissza az obturátort az AirSeal munkascatornába, és cserélje ki a szűrővel ellátott csőszereléket.
- A testfolyadékokkal érintkezésbe lépő műszerekre és eszközökre különleges hulladékkezelési eljárások vonatkozhatnak a biológiai szennyeződés megelőzése céljából.

## ELLENJAVALLATOK

A minimálisan invazív endoszkópos technikák ellenjavallata esetén az AirSeal IFS használata ellenjavallott.

**FONTOS:** Ez a termék tájékoztató használati útmutatóként szolgál. Nem tartalmaz tájékoztatást vagy irányítást a trokárbevezetési technikákra vonatkozóan. A pengementes, optikai csúccsal ellátott trokár befűvást utáni, elsődleges bemeneti nyílásként való sikeres alkalmazása a szövetretek felismerésétől és megkülönböztetésétől függ. Ezért az új felhasználók alkalmaznak inkább másodlagos munkascatornáként az optikai végű trokárokat inszuffláció után, hogy tapasztalatot és eljárásbeli jártasságot szerezzenek a szövetretek megjelenítésében. Csak a fenti technikában való jártasság megszerzése után szabad az optikai végű trokárokat elsődleges munkascatornáként alkalmazni inszuffláció után.

**Megjegyzés:** Az aszeptikus kicsomagolás előtt szemrevételezéssel meg kell vizsgálni a steril védőrendszer(ek)e)t, hogy nincs-e a csomagoláson olyan sérülés, amely befolyásolhatja a sterilítást. Tilos felhasználni, ha a steril védőrendszer sérült.

## HASZNÁLATI UTASÍTÁS

### Általános használati útmutató az AirSeal munkacsatornához AirSeal üzemmódban:

**Megjegyzés:** Az egyes szoftververziókban elérhető funkciókat lásd az IFS használati utasításában.

1. Az ON/OFF (be/ki) kapcsolóval kapcsolja BE az AirSeal IFS készüléket (1. ábra, A).
  2. Az AirSeal IFS készüléken lévő zárókarak felső vagy UNLOCK (nyitott) helyzetben kell lennie (1. ábra, D).
  3. Várja meg a kezdeti ellenőrzés befejeződését a háromlumenű szűrős csőszerelek bevezetése előtt.
  4. Steril technikával vegye ki a háromlumenű csőszereletet a csomagból. A sérülés elkerülése érdekében ne ejtse a műszert a steril területre.
  5. A háromlumenű csőszerelet szűrőtartóját vezesse be az AirSeal IFS előlapján lévő, csőszereletekhez szolgáló dugaszlyhebe (1. ábra, C).
  6. Töltsa a zárókart lefelé, LOCK (zárt) helyzetbe (9. ábra). Az AirSeal üzemmód automatikusan elindul.
- Megjegyzés:** Ha az AirSeal gyermek üzemmód engedélyezve van, a rendszer megkéri, hogy válasszon a felnőtt és a gyermek AirSeal üzemmód között. A Pediatric (Gyermek) AirSeal üzemmód jellemzőiről olvassa el az AirSeal IFS használati utasítást.
7. Ellenőrizze az AirSeal IFS érintékpérmény kijelzőjén, hogy elegendő-e a gázellátási szint (1. ábra, B).
  8. Válassza ki a beteg kezeléséhez kívánt áramlás- és nyomásbeállításokat. A beállítások megerősítéséhez nyomja meg a „Confirm” (Megerősítés) gombot.

### Az alábbiakban további útmutatást olvashat a Veress-tüvel végzett behatolásához penge nélküli optikai végű munkacsatorna alkalmazásával.

**Ez a technika nem használatos a tompa végű (Hassan-típusú) hasüregi behatolásához. Ha nem alkalmazza a Veress-tüvel végzett behatolás technikáját, haladjon tovább a 9. lépésre.**

- Az egylumenű adapter előre csatlakoztatva van az aktívcsőn-szűrővel ellátott háromlumenű csőszerelekhez.
- Csatlakoztassa az egylumenű adaptert a Veress-tü Luer-zárás csatlakozójához, és vezesse be a gyártó útmutatásának megfelelően.
- Az AirSeal IFS érintékpérmény kijelzőjén állítsa be a kívánt áramlási és nyomásértéket.
- Nyomja meg a „Start” feliratot az AirSeal IFS érintékpérmény kijelzőjén, ekkor megkezdődik a kezdeti inszuffláció.
- A kezdeti inszuffláció elérését követően válassza le az aktívcsőn-szűrővel ellátott háromlumenű csőszereleket az egylumenű adapterről.
- Távolítsa el a Veress-tüt.

**Amennyiben az AirSeal munkacsatorna nem az első behelyezésre kerülő trokár, tartsa az egylumenű adaptert az aktívcsőn-szűrővel ellátott háromlumenű csőszerelekhez csatlakoztatva, és helyezze át az egylumenű adaptert az először behelyezésre kerülő hagyományos trokár Luer-zárás csatlakozójára. Csak akkor távolítsa el az egylumenű adaptert, amikor az AirSeal munkacsatorna bevezetésre kerül.**

9. Steril technikával vegye ki az AirSeal munkacsatornát és az opcionális hangtompító kupakot (8 mm, 12 mm) a csomagolásból. A sérülés elkerülése érdekében ne ejtse a műszert a steril területre.
10. Az AirSeal munkacsatornák (obturátor és kanül) előre összeállítva kerülnek a csomagba, így nem szükséges összeállítani őket. Megjegyzés: Ha össze kell állítani a munkacsatornát, vezesse be az obturátort a kanülbe addig, amíg biztosan össze nem kapcsolódnak.
11. Győződjön meg arról, hogy az obturátor és a kanül megfelelően össze van állítva. **Megjegyzés:** Ha tompa végű munkacsatornát használ, győződjön meg arról, hogy a menetes horgony is a helyén van (4. ábra, D).
12. Standard sebészeti eljárásokkal hozzon létre bemetszést. (Megjegyzés: A bemetszést a kanül átmérőjéhez kell igazítani. A nem megfelelő bemetszés a bevezetéssel szembeni fokozott ellenálláshoz, a behatolásához szükséges erő növekedéséhez, valamint a bevezetés során az eszköz feletti kontroll elvesztéséhez vezethet.)

**Az összeállított munkacsatorna készen áll a bevezetésre. Ha tompa végű munkacsatornát használ, alkalmazzon megfelelő laparoszkópos (Hassan-stílusú behatolási) technikát.**

13. Vezesse be az összeállított munkacsatornát a bőrön ejtett metszésen át, 30–90°-os forgató mozgással. Gyakoroljon folyamatos, de kontrollált, lefelé irányuló nyomást a markolatra.
  14. Győződjön meg arról, hogy a munkacsatorna megfelelően bevezetésre került. Ekkor még ne távolítsa el az obturátort a kanülből. **Megjegyzés:** A tompa végű munkacsatorna alkalmazása esetén a menetes horgonyt varrattal, a szokásos módon a beteg hasához kell rögzíteni.
  15. Biztosítsa, hogy az AirSeal bemeneti nyílás disztális csúcánál lévő fekete vonal mindig látható legyen az üregeken belül, amikor az AirSeal bemeneti nyílást befűvésze használják.
  16. Távolítsa el az AirSeal munkacsatorna kanüljének oldalából az elosztó dugóját, és csatlakoztassa az aktívcsőn-szűrővel ellátott háromlumenű csőszerelet disztális végét a kanül elosztójához, majd szorítsa meg.
- Megjegyzés:** Amennyiben az AirSeal csőszerelet és a munkacsatorna nincs megfelelően megszorítva, előfordulhat, hogy a készüléken leolvasott nyomás nem tükrözi a beteg által tapasztalt nyomást. A biztonságos csatlakoztatás vizuálisan is megerősíthető, ha a csőszerelet célzószókjának egyik fehér csatlakozómellajla közvetlenül a munkacsatorna tetejéhez igazodik (15. ábra). Ha a csőszerelet csatlakoztatásakor egyenesen a munkacsatorna célzószókjába néz, a csőszerelet csatlakozóján lévő egyik lamellának pontosan függőlegesen kell állnia a munkacsatornához képest (16. ábra).
17. Az AirSeal automatikusan aktiválódik. Tartsa helyben az obturátort, amíg hangjelzés nem hallható, és a zöld „AirSeal active” (AirSeal aktív) üzenet meg nem jelenik.
  18. Az obturátor reteszgombjait összenyomva válassza szét a kanült és az obturátort, és távolítsa el az obturátort a kanülből. **Megjegyzés:** A tompa végű munkacsatornán nincsenek reteszgombok, ezért az obturátor eltávolításához csak egyenesen ki kell húzni a kanülből.
  19. Az AirSeal üzemmód aktiválása és az obturátor AirSeal kanülből való eltávolítása után az áramlási sebesség automatikusan lesz. **Megjegyzés:** A füstelvezetés High (Magas) vagy Low (Alacsony) állásba kapcsolható.
  20. Az opcionális hangtompító kupak (8 mm, 12 mm) ekkor igény szerint felhelyezhető a kanülre. **(Megjegyzés:** Az opcionális hangtompító kupak használatkor legyen óvatos, amikor éles vagy nagyméretű eszközt vezet a kanülbe. Az opcionális hangtompító kupak a beavatkozás során bármikor eltávolítható a kanülről, és el kell távolítani, mielőtt éles vagy nagy objektumokat vezet a kanülbe.)
  21. Az eljárás befejezésekor az AirSeal inszuffláció leállításához nyomja meg a **STOP** gombot az érintékpérmény kijelzőn **(Megjegyzés:** ez a pneumoperitoneum megszünetés eredményezi). Alkalmazzon standard laparoszkópos technikát; távolítsa el minden sebészeti eszközt, és zárja az egyes portok helyét a szokásos módon. **Megjegyzés:** A beavatkozás befejezését követően az AirSeal üzemmód a kikapcsolás előtt egy végső kalibrációs folyamaton megy végig. E folyamat során nem létező nyomás vagy inszuffláció. Az aktívcsőn-szűrővel ellátott háromlumenű csőszerelek eltávolítása, illetve az IFS áramtanítása előtt várja meg a végső kalibrálás befejeződését.
  22. Az AirSeal IFS zárókarját állítsa felső vagy UNLOCK (nyitott) helyzetbe.
  23. Távolítsa el az aktívcsőn-szűrővel ellátott háromlumenű csőszereleket az AirSeal IFS csőszerelekhez való csatlakozójazatából.
  24. Mivel az elindításkor működési tesztre kerül sor, az egységet minden egyes műtéti beavatkozás előtt ki/be kell kapcsolni.

### Az alábbiakban további útmutatást olvashat a penge nélküli optikai végű munkacsatorna endoszkóppal történő bevezetésére vonatkozóan.

**Megjegyzés:** Az egyes szoftververziókban elérhető funkciókat lásd az IFS használati utasításában.

1. Csatlakoztassa a 0°-os endoszkópot a fényforráshoz és a monitorhoz a gyártó útmutatásának megfelelő módon. Ellenőrizze az endoszkóp helyes csatlakozását, és biztosítsa a monitoron megjelenő kép tisztaságát.
2. Vezesse be az endoszkópot a penge nélküli optikai végű munkacsatorna markolatának proximális végén lévő nyílásba, amíg el nem éri a munkacsatorna disztális végét. (Endoszkóp-behelyezés; 12. ábra).
3. Tetszés szerint fordítsa el az endoszkópot. (Endoszkóp bevezetése; 13. ábra).
4. Ahhoz, hogy éles képet kapjon a monitoron, vezesse be az endoszkópot a penge nélküli optikai végű munkacsatorna markolatába, érintse az optikai véget valamilyen alkalmas, puha felszínhez, és állítsa élesre a kamerát.
5. Standard sebészeti eljárásokkal hozzon létre bemetszést. **(Megjegyzés:** A bemetszést a kanül átmérőjéhez kell igazítani. A nem megfelelő bemetszés a bevezetéssel szembeni fokozott ellenálláshoz, a behatolásához szükséges erő növekedéséhez, valamint a bevezetés során az eszköz feletti kontroll elvesztéséhez vezethet.) Vezesse be az összeállított munkacsatornát a bőrön ejtett metszésen át, 30–90°-os forgató mozgással. Gyakoroljon folyamatos, de kontrollált, lefelé irányuló nyomást a markolatra.

- A munkascatorna bevezetése közben a lapareroszkóp segítségével kövesse figyellemmel a munkascatorna áthatalását az egyes szövetrétegeken. A munkascatorna előrehaladásával láthatóvá válnak az egyes szövetrétegek.
- Vegye ki a lapareroszkópot a penge nélküli optikai végű munkascatornából (Az Endoszkóp eltávolítása; 14. ábra).
- A fenti útmutatásnak megfelelően folytassa az eljárást, a 13. lépéssel kezdve.

## HASZNÁLATI UTASÍTÁS

### **Használati útmutató az AirSeal munkascatorna AirSeal üzemmódban történő transzanális használatához:**

**Megjegyzés: Az egyes szoftververziókban elérhető funkciókat lásd az IFS használati utasításában.**

- Az ON/OFF (be/ki) kapcsolóval kapcsolja BE az AirSeal IFS készüléket (1. ábra, A).
- Az AirSeal IFS készüléken lévő zárókarok felső vagy UNLOCK (nyitott) helyzetben kell lennie (1. ábra, D).
- Várja meg a kezdeti önellenőrzés befejeződését a háromlumenű szűrős csőszerelék bevezetése előtt.
- Steril technikával vegye ki a háromlumenű csőszerelék csomagból. A sérülés elkerülése érdekében ne ejtse a műszert a steril területre.
- A háromlumenű csőszerelék szűrőrtartóját vezesse be az AirSeal IFS előlapján lévő, csőszereltekhez szolgáló dugaszlyhebe (1. ábra, C).
- Tolja a zárókart lefelé, LOCK (zárt) helyzetbe (9. ábra). Az AirSeal üzemmód automatikusan elindul.
- Megjegyzés:** Ha az AirSeal gyermek üzemmód engedélyezve van, a rendszer megkéri, hogy válasszon a felnőtt és a gyermek AirSeal üzemmód között. A Pediatric (Gyermek) AirSeal üzemmód jellemzőről olvassa el az AirSeal IFS használati utasítását.
- Ellenőrizze az AirSeal IFS érintőképernyős kijelzőjén, hogy elegendő-e a gázellátási szint (1. ábra, B).
- Válassza ki a beteg kezeléséhez kívánt áramlás- és nyomásbeállításokat. A beállítások megerősítéséhez nyomja meg a „Confirm” (Megerősítés) gombot.
- Steril technikával vegye ki az AirSeal munkascatornát és az opcionális hangtompító kupakot (8 mm, 12 mm) a csomagolásból. A sérülés elkerülése érdekében ne ejtse a műszert a steril területre.
- Az AirSeal munkascatornák (obturátor és kanül) előre összeállítva kerülnek a csomagba, így nem szükséges összeállítani őket.
- Megjegyzés:** Ha össze kell állítani a munkascatornát, vezesse be az obturátort a kanülbe addig, amíg biztosan össze nem kapcsolódnak.
- Győződjön meg arról, hogy az obturátor és a kanül megfelelően össze van állítva.
- Kövesse a kiválasztott transzanális bemeneti eszköz gyártója által biztosított használati útmutatót az eszköz végébe történő behelyezésre.
- Vezesse be a munkascatornát a transzanális bemeneti eszközbe a megfelelő lumen- vagy kanülpozíció alkalmazásával. A munkascatorna transzanális bemeneti eszközbe való bevezetések végezzen 30–90°-os forgató mozgást. Alkalmazzon folyamatos, de kontrollált axiális nyomást a munkascatornára, amíg az rögzül a transzanális bemeneti eszközben.
- Győződjön meg arról, hogy az obturátor és a kanül megfelelően be van vezetve. Ekkor még ne távolítsa el az obturátort a kanülegységtől.
- Távolítsa el az AirSeal munkascatorna kanülijének oldalából az elosztó dugóját, és csatlakoztassa az aktívcső-szűrővel ellátott háromlumenű csőszerelék distális végét a kanül elosztójához, majd szorítsa meg.
- Megjegyzés:** Amennyiben az AirSeal csőszerelék és a munkascatorna nincs megfelelően megszorítva, előfordulhat, hogy a készüléken leolvastott nyomás nem tükrözi a beteg által tapasztalt nyomást. A biztonságos csatlakoztatás vizuálisan is megerősíthető, ha a csőszerelék célzószkopjának egyik fehér csatlakozlamellája közvetlenül a munkascatorna tetéjéhez igazodik (15. ábra). Ha a csőszerelék csatlakoztatásakor egyenesen a munkascatorna célzószkopjába néz, a csőszerelék csatlakozóján lévő egyik lamellának pontosan függőlegesen kell állnia a munkascatornához képest (16. ábra).
- Az AirSeal automatikusan aktiválódik. Tartsa helyben az obturátort, amíg hangjelzés nem hallható, és a zöld „AirSeal active” (AirSeal aktív) üzenet meg nem jelenik.
- Az obturátor reteszgombjait összenyomva válassza szét a kanült és az obturátort, és távolítsa el az obturátort a kanülből.
- Az AirSeal üzemmód aktiválása és az obturátor AirSeal kanülből való eltávolítása után az áramlási sebesség automatikusan lezár.
- Megjegyzés:** A füstelvezetés High (Magas) vagy Low (Alacsony) állásba kapcsolható.
- Az opcionális hangtompító kupak (8 mm, 12 mm) ekkor igény szerint felhelyezhető a kanülre. **(Megjegyzés:** Az opcionális hangtompító kupak használatokor legyen óvatos, amikor éles vagy nagyméretű eszközt vezet a kanülbe. Az opcionális hangtompító kupak a beavatkozás során bármikor eltávolítható a kanülről, és el kell távolítani, mielőtt éles vagy nagy objektumot vezet a kanülbe.)
- Az eljárás befejezésekor az AirSeal inszuffláció leállításához nyomja meg a **STOP** gombot az érintőképernyős kijelzőn **(Megjegyzés:** ez a pneumoperitoneum megszűnését eredményezi). Alkalmazzon standard laparoskopos technikát; távolítsa el minden sebészeti eszközt, és zárja az egyes portok helyét a szokásos módon.
- Megjegyzés:** A beavatkozás befejezését követően az AirSeal üzemmód a kikapcsolás előtt egy végső kalibrációs folyamaton megy végig. E folyamat során nem létesül nyomás vagy inszuffláció. Az aktívcső-szűrővel ellátott háromlumenű csőszerelék eltávolítása, illetve az IFS áramtanálítása előtt várja meg a végső kalibrálás befejeződését.
- Az AirSeal IFS zárókarját állítsa felső vagy UNLOCK (nyitott) helyzetbe.
- Távolítsa el az aktívcső-szűrővel ellátott háromlumenű csőszerelék az AirSeal IFS csőszerelékhez való csatlakozójaitól.
- Mivel az elindításkor működési tesztre kerül sor, az egységet minden egyes műtéti beavatkozás előtt ki/be kell kapcsolni.

### **Általános használati útmutató a füstelvezető és standard inszufflációs üzemmód alkalmazásához:**

#### VERESS-TÜVEL VÉGZETT KEZDETI INSZUFFLÁCIÓ

**Megjegyzés: Az egyes szoftververziókban elérhető funkciókat lásd az IFS használati utasításában.**

- Az ON/OFF (be/ki) kapcsolóval kapcsolja BE az AirSeal IFS készüléket (1. ábra, A).
- A diagnosztikai önellenőrzés befejeződése után az érintőképernyős kijelző segítségével az AirSeal IFS üzemmódválasztó listájából válassza ki a füstelvezető üzemmódot vagy a standard inszufflációs üzemmódot (1. ábra, B).
- Ellenőrizze az AirSeal IFS érintőképernyős kijelzőjén, hogy elegendő-e a gázellátási szint (1. ábra, B).
- Csatlakoztassa a megfelelő csőszerelék az AirSeal IFS készülékhez (az aktívcső-szűrővel ellátott kettéágazó füstelvezető csőszerelék csatlakoztatásának pontos ismertetését lásd alább).
- Megjegyzés:** Más csőszerelékkel eltérően az egylumenű csőszerelék az AirSeal IFS készülék előlapján található inszufflátorcső-csatlakozóhoz illeszthető. Csatlakoztassa a csőszerelék Luer-záras csatlakozóját a szokásos módon egy Veress-tűhöz vagy hagyományos trokárhoz. (Az aktívcső-szűrővel ellátott kettéágazó füstelvezető csőszerelék csatlakoztatásának pontos ismertetését lásd alább.)
- Az AirSeal IFS érintőképernyős kijelzőjén állítsa be a kívánt áramlási és nyomásértéket. A beállítások megerősítéséhez nyomja meg a „Confirm” (Megerősítés) gombot.
- Nyomja meg a „Start” feliratot az AirSeal IFS érintőképernyős kijelzőjén, ekkor megkezdődik a kezdeti inszuffláció.
- A kezdeti inszuffláció elérését követően **vezesse be a standard Luer-záras csatlakozóval rendelkező hagyományos trokárát.**
- Az eljárás befejezésekor az inszuffláció leállításához nyomja meg a **STOP** gombot az érintőképernyős kijelzőn **(Megjegyzés:** ez a pneumoperitoneum megszűnését eredményezi). Alkalmazzon standard laparoskopos technikát; távolítsa el minden sebészeti eszközt, és zárja az egyes portok helyét a szokásos módon.
- Válassza le a csőszerelék az AirSeal IFS készülékről (az aktívcső-szűrővel ellátott kettéágazó füstelvezető csőszerelék eltávolításának pontos ismertetését lásd alább).
- Mivel az elindításkor működési tesztre kerül sor, az egységet minden egyes műtéti beavatkozás előtt ki/be kell kapcsolni.

### **Az aktívcső-szűrővel ellátott kettéágazó füstelvezető csőszerelék alkalmazásának további ismertetését lásd alább**

**Két standard Luer-záras csatlakozóval rendelkező hagyományos trokárrel és aktívcső-szűrővel ellátott kettéágazó füstelvezető csőszerelékkel való alkalmazásához.**

Átlátás cső: inszuffláció

Kék cső: füstelvezetés

Az aktívcső-szűrővel ellátott kettéágazó füstelvezető csőszerelék csatlakoztatása

**Megjegyzés: Az egyes szoftververziókban elérhető funkciókat lásd az IFS használati utasításában.**

- Az AirSeal IFS készüléken lévő zárókarok felső vagy UNLOCK (nyitott) helyzetben kell lennie (1. ábra, D).
- Az aktívcső-szűrővel ellátott kettéágazó füstelvezető csőszerelék szűrőjének burkolatát illessze az AirSeal IFS előlapján lévő, csőszerelékhez való csatlakozójába (1. ábra, C).

- Tolja a zárokkart lefelé, LOCK (zárt) helyzetbe.
- Csatlakoztassa a Veress-tűt az aktívcsőn-szűrővel ellátott kettéágazó füstelvezető csőszerelék átlátszó csővének Luer-záras csatlakozójához.
- Az AirSeal IFS érintőképernyős kijelzőjén állítsa be a kívánt áramlási és nyomásértéket. A beállítások megerősítéséhez nyomja meg a „Confirm” (Megerősítés) gombot.
- Nyomja meg a „Start” feliratot az AirSeal IFS érintőképernyős kijelzőjén, ekkor megkezdődik a kezdeti insuffláció.
- Győződjön meg arról, hogy a kanülök megfelelően be vannak vezetve.
- Távolítsa el a Veress-tűt, és válassza le róla az aktívcsőn-szűrővel ellátott kettéágazó füstelvezető csőszerelék.
- Csatlakoztassa az aktívcsőn-szűrővel ellátott kettéágazó füstelvezető csőszerelék **ÁTLÁTSZÓ** csővének Luer-záras csatlakozóját a hagyományos kanülhöz. Nyissa ki a beáramlási szelepet vagy zárócsapot.
- Kövesse az AirSeal IFS érintőképernyős kijelzőjén megjelenő utasításokat. Amikor erre utasítást kap, csatlakoztassa az aktívcsőn-szűrővel ellátott kettéágazó füstelvezető csőszerelék **KÉK** csővének Luer-záras csatlakozóját egy másik hagyományos kanülhöz. Az insuffláció aktív marad.
- Amikor az aktívcsőn-szűrővel ellátott kettéágazó füstelvezető csőszerelék **KÉK** csővének Luer-záras csatlakozóját a második hagyományos kanülhöz csatlakoztatja, aktiválódik a füstelvezetés.

**SÜLYOS ESEMÉNYEK – A készülék használatával kapcsolatos minden súlyos eseményt azonnal jelentsen a CONMED ügyfélszolgálatának vagy a CONMED helyi képviselőjének. Email: CustomerExperience@CONMED.com**

#### Az aktívcsőn-szűrővel ellátott kettéágazó füstelvezető csőszerelék eltávolítása

**Megjegyzés: Az egyes szoftververziókban elérhető funkciókat lásd az IFS használati utasításában.**

- Az eljárás befejezésekor az insuffláció leállításához nyomja meg a **STOP** gombot az érintőképernyős kijelzőn (Megjegyzés: ez a pneumoperitoneum megszűnését eredményezi). Alkalmazzon standard laparoszkópos technikát; távolítson el minden sebészeti eszközt, és zárja az egyes portok helyét a szokásos módon.
- Az AirSeal IFS zárokkartját állítsa felső vagy UNLOCK (nyitott) helyzetbe.
- Távolítsa el az aktívcsőn-szűrővel ellátott kettéágazó füstelvezető csőszerelék az AirSeal IFS csőszerelékhez való csatlakozójától.
- Mivel az elindításkor működési tesztre kerül sor, az egységet minden egyes műtői beavatkozás előtt ki/be kell kapcsolni.

#### ÁRTALMATLANÍTÁS

Ártalmatlanítsa az eszközt a kórház helyi előírásai szerint.

#### KISZERELÉS

Az AirSeal optikai munkacsatorna, az AirSeal alacsony profilú munkacsatorna, az opcionális hangtompító kupak (8 mm, 12 mm), az AirSeal tompa végű munkacsatorna, az AirSeal kanül, az aktívcsőn-szűrővel ellátott kettéágazó füstelvezető csőszerelék, az aktívcsőn-szűrővel ellátott háromlumenű csőkészlet, az egylumenű csőszerelék, valamint az AirSeal egylumenű adapter egyaránt gamma sugárzással sterilizálva, egyszer használatos kiegészítésben áll rendelkezésre. Használat után dobja ki őket. Az AirSeal munkacsatornák, hangtompító kupakok és csőszerelékek természetes latexgumi felhasználása nélkül készültek.

Az AirSeal IFS nem steril és újrafelhasználható.

Az AirSeal® a CONMED Corporation bejegyzett védjegye.

**IXX ONLY** FIGYELEM! Az Egyesült Államok szövetségi törvényei értelmében ez az eszköz kizárólag orvos által vagy orvos rendelvényére értékesíthető.

## LITHUANIAN

#### AirSeal® IFS

Prieigos prievadas **AirSeal®**

Beašmeniu optinių viršūnių, žemo profilio beašmeniu optinių viršūnių, „Palm Grip” beašmeniu optinių viršūnių ir bukų viršūnių prieigos prievadai

**AirSeal®** filtruojamų vamzdelių rinkiniai

Trijų spindžių filtruojamų vamzdelių rinkinys su aktyvintųjų anglių filtru, dvišakis dūmų šalinimo vamzdelių rinkinys su aktyvintųjų anglių filtru, vieno spindžio filtruojamų vamzdelių rinkinys

#### Schema: iliustracijos ir sudedamosios dalys

<p><b>„AirSeal IFS” (1 pav.)</b></p> <p>A ON/OFF (jungimo ir išjungimo) jungiklis</p> <p>B. Liečiamasis ekranas</p> <p>C „AirSeal” ir dūmų šalinimo režimų lizdas</p> <p>D. Vamzdelių rinkinio fiksavimo svirtelė</p> <p>E. Insufliacijos vamzdelio jungtis standartiniame insufliacijos režime</p> <p><b>Beašmeniai prieigos prievadai (2 / 3 pav.)</b></p> <p>A. Kolektorius dangtelis</p> <p>B. Kanulė</p> <p>C. Beašmenės optinės viršūnės obturatorius</p> <p>D. Kanulės skląstis</p> <p><b>Bukos viršūnės prieigos prievadai (4 pav.)</b></p> <p>A. Kolektorius dangtelis</p> <p>B. Kanulė</p> <p>C. Bukos viršūnės obturatorius</p> <p>D. Spyruoklinis inkaras – chirurginių siūlų rishimo inkarinis įtaisas</p> <p><b>Papildomas triuškos slopinimo dangtelis (5 pav.)</b></p>	<p><b>Vamzdelių rinkiniai (6 / 7 / 8 pav.)</b></p> <p>A. Filtras</p> <p>B. 8–10 pėd. (2,44–3,05 m) vamzdelis</p> <p>C. Fiksuojamoji Luerio jungtis</p> <p>D. Vieno lumen adapterio sąranka</p> <p>E. Sukamasis apvadas</p> <p><b>„AirSeal” režimas (9 pav.)</b></p> <p><b>Dūmų šalinimo režimas (10 pav.)</b></p> <p><b>Standartinis insufliacijos režimas (11 pav.)</b></p> <p><b>Endoskopo įvedimas (12 pav.)</b></p> <p>A. „AirSeal” prieigos prievadas</p> <p>B. Tinkamo dydžio endoskopas</p> <p><b>Endoskopo įvedimas (13 pav.)</b></p> <p>A. Įvedimo metu sukiojant galima lengviau įvesti</p> <p><b>Endoskopo ištraukimas (14 pav.)</b></p> <p>A. Ištraukite endoskopą</p> <p>B. Kad atleistumėte kanulę, nuspauskite čia</p> <p><b>Vaizdas iš viršaus: „AirSeal” prieigos prievadas, tinkamai prijungtas prie „AirSeal” žarnelių rinkinio (15 pav.)</b></p> <p>A. Žarnelių rinkinio taikinio formos jungties briaunelė</p> <p><b>Vaizdas iš priekio: „AirSeal” prieigos prievadas, tinkamai prijungtas prie „AirSeal” žarnelių rinkinio (16 pav.)</b></p> <p>A. Žarnelių rinkinio taikinio formos jungties briaunelė</p>
--	---

#### **SVARBU! PRIEŠ NAUDODAMI GAMINĮ ATIDŽIAI PERSKAITYKITE TOLIAU PATEIKTĄ INFORMACIJĄ.**

Šios knygelės paskirtis – padėti naudoti šį gaminį. Ji nėra chirurginių metodikų žinynas. Taip pat žr. „AirSeal IFS” naudojimo instrukciją, kurioje pateikiami išsamūs „AirSeal IFS” naudojimo nurodymai ir išsamiai aprašyti visi veikimo režimai.

#### **NAUDOJIMO INDIKACIJOS**

„CONMED AirSeal® IFS” sistema skirta naudoti atliekant diagnostines ir (arba) terapines endoskopijos procedūras ertmei išplėsti pripildant dujų, dujomis užsandarintam ir kliūčių neturinčiam endoskopiniu instrumentu įvedimo keliui sudaryti bei palaikyti ir chirurginių procedūrų metu susidarantiems dūmams šalinti. Ji naudojama atliekant pilvo, krūtinės ąstos ir pediatrinės procedūras, esant poreikiui palengvinti įvairių torakoskopinių ir laparoskopinių instrumentų naudojimą išplečiant pilvo arba krūtinės ąstos ertmę dujomis, sudarant ir palaikant dujomis užsandarintą ir kliūčių neturinčią instrumentų kelią bei šalinant chirurginių procedūrų metu susidarancius dūmus. Šį instrumentą taip pat galima naudoti tiesiosios ir gaubtinės žarnos insufliacijai, kad būtų galima lengviau atlikti endoskopines stebėjimo, diagnostines ir gydymo procedūras. „AirSeal® IFS” sistemos trokaras skirtas naudoti taikant vizualizaciją arba jos netaikant.

„AirSeal iFS“ gali veikti trimis režimais.

1. „AirSeal“ režimas (9 pav.).
2. Dūmų šalinimo režimas (10 pav.).
3. Standartinis insufliacijos režimas (11 pav.).

#### **„AirSeal“ režimas**

„AirSeal“ režimu naudojama „AirSeal iFS“ tiekia CO<sub>2</sub> dujas, palaiko stabilų pneumoperitoneumą ir nuolat šalina dūmus laparoscopiškai chirurgijos metu; tam reikia „AirSeal iFS“, „AirSeal“ priegios jungtis ir trijų spindžių filtruojamų vamzdelių rinkinio su aktyvintųjų anglių filtru. Trijų spindžių filtruojamų vamzdelių rinkinys su aktyvintųjų anglių filtru naudojamas „AirSeal“ priegios prievadui prijungti prie „AirSeal iFS“ (9 pav.).

#### **Dūmų šalinimo režimas**

Dūmų šalinimo režimu naudojama „AirSeal iFS“ tiekia CO<sub>2</sub> dujas ir nuolat šalina dūmus laparoscopiškai chirurgijos metu; tam reikia „AirSeal iFS“, dviejų įprastinių (ne „AirSeal“) troakarų su standartinėmis Luerio jungtimis ir dvišakio dūmų šalinimo vamzdelių rinkinio su aktyvintųjų anglių filtru. Du įprastiniai troakarai naudojami dvišakiui dūmų šalinimo vamzdelių rinkiniui su aktyvintųjų anglių filtru prijungti, kad būtų užtikrintas CO<sub>2</sub> dujų tiekimas ir dūmų šalinimo kelias. Dvišakis dūmų šalinimo vamzdelių rinkinys su aktyvintųjų anglių filtru yra dvišakis ir per du įprastinius troakarų jungiamas prie „AirSeal iFS“ (10 pav.).

#### **Standartinis insufliacijos režimas**

Standartinio insufliacijos režimu naudojama „AirSeal iFS“ tiekia CO<sub>2</sub> dujas ir užtikrina standartinę insufliaciją laparoscopiškai chirurgijos metu, kaip ir įprastiniai insufliatoriai; tam reikia „AirSeal iFS“, vieno įprastinio (ne „AirSeal“) troakaro su standartinėmis Luerio jungtimis ir vieno spindžio filtruojamų vamzdelių rinkinio su aktyvintųjų anglių filtru. Troakaro Luerio jungtis jungiama prie vieno spindžio filtruojamų vamzdelių rinkinio, kad būtų galima užtikrinti standartinę insufliaciją ir CO<sub>2</sub> dujų tiekimą. Vieno spindžio filtruojamų vamzdelių rinkinio vienas įprastinis troakaras jungiamas prie „AirSeal iFS“ (11 pav.).

„AirSeal“ priegios jungtis gali būti dviejų konfigūracijų.

1. Bešašmenės optinės viršūnės priegios prievadas (2 ir 3 pav.).
2. Bukos viršūnės priegios prievadas (4 pav.).

Jeigu kaip pirminio įvedimo priemonę naudojamas bet kuris iš bešašmenės optinės viršūnės priegios prievadų, siekiant užtikrinti saugų įvedimą į pilvo ertmę rekomenduojama vizualizuoti laparoskopu.

„AirSeal“ vamzdelių rinkiniai gali būti trijų konfigūracijų.

1. Trijų spindžių filtruojamų vamzdelių rinkinys su aktyvintųjų anglių filtru (6 pav.).
2. Dvišakis dūmų šalinimo vamzdelių rinkinys su aktyvintųjų anglių filtru (7 pav.).
3. Vieno spindžio filtruojamų vamzdelių rinkinys (8 pav.).

Pasirūpinkite, kad būtų naudojamas pasirinkta „AirSeal iFS“ režimą atitinkantis vamzdelių rinkinys. Jeigu įvestas netinkamas vamzdelių rinkinys, pasirinktas „AirSeal iFS“ neveikia ir rodomas įspėjamas pranešimas.

Filtruojamų vamzdelių rinkiniai neskirti skysčiams. Jeigu į filtrą patenka skystis, „AirSeal iFS“ liečiamajame ekrane rodomas įspėjamas pranešimas. Jei taip įvyktų, patikrinkite kaniulės padėtį ir pasiroškite pakeisti vamzdelių rinkinį.

#### **ĮSPĖJIMAI**

- Nesilaikant naudojimo instrukcijų gali būti sunkių chirurginių padarinių.
- „AirSeal“ sistemos komponentus turi naudoti tik kvalifikuoti chirurgo, išmanantys ir išmokyti atlikti laparoskopines procedūras ir turintys tokių procedūrų atlikimo patirties.
- Šioje naudojimo instrukcijoje nepateikiami chirurginių metodikų ir laparoskopinių procedūrų aprašai ir instrukcijos. Šiuos gaminius naudojant atliekamos procedūros tinkamumą ir kiekvienam pacientui taikytiną konkrečią metodiką turi nustatyti procedūras atliekantis gydytojas.
- Pateikti „AirSeal“ sistemos komponentai yra sterilūs tik tada, jeigu naudojami nepasibaigus galiojimo laikui, o pakuoatė neatidaryta ir nepažeista. NENAUDOTI pasibaigus galiojimo laikui arba jei pakuoatė atidaryta ar pažeista.
- Visos vienkartinės „AirSeal“ sistemos priemonės (priegios prievadaai ir vamzdelių rinkiniai) yra supakuotos ir sterilizuotos tik vienam pacientui. Pakartotina nenaudokite, neapdorokite ir nesterilizuokite. Pakartotina naudojant, apdorojant ar sterilizuojant gali būti pažeistas priemonės struktūrinis vientisumas ir (arba) priemonė gali sugesti, todėl pacientas gali būti sužeistas, susirgti arba mirti. Be to, pakartotina apdorojant ar sterilizuojant vienkartinės priemonės gali kilti užteršimo ir (arba) pacientui užkrečiamo ar kryžminio užkrečiamo pavojus, įskaitant užkrečiamųjų ligų perdavimą iš vieno paciento kitam, tačiau tuo neapsiribojant. Dėl užterštų priemonių gali būti sužeistas, susirgti arba mirti pacientas.
- Kaniulės viršūnės nemerkitė į drėkinimo arba kūno skysčius.
- Jeigu uždegiamos valdymo pulto šoninės arba apatinės ausinimo angos, pasigirsta „AirSeal iFS“ įspėjamas signalas. Išgirę įspėjamąjį signalą patikrinkite, ar neuždegtos ausinimo angos.
- Jeigu taip NĖRA, tačiau vis tiek duodamas įspėjamas signalas, „AirSeal iFS“ nebenaudokite ir grąžinkite gamintojui, kad atliktų techninę priežiūrą.

#### **ATSARGUMO PRIEMONĖS**

- Žinoma, kad sudarius pneumoperitoneumą gali pasireikšti šalutinis fiziologinis poveikis, įskaitant sumažėjusią veninę grįžtamąją apytaką, sumažėjusį širdies tūrį, susilpnėjusią inkstų funkciją, padidėjusį intrakranijinį slėgį, padidėjusį kvėpavimo takų pasipiršimą ir sumažėjusį plaučių elastingumą.
- Mažiausiai invazines procedūras turi atlikti tik tinkamai išmokyti ir tinkamai kompetentingi asmenys, išmanantys mažiausiai invazines chirurgijos metodikas. Prieš atlikdami bet kokią mažiausiai invazinę procedūrą, žr. medicininėje literatūroje pateikiamą informaciją apie metodikas, komplikacijas ir pavojus.
- Kad pacientui ir medicinos darbuotojams nekiltų elektros smūgio ir nudegimo pavojus ir nebūtų sugadinta priemonė ar kiti medicinos instrumentai, labai svarbu gerai suprasti lazerinių, elektrochirurginių ir ultragarsinių procedūrų principus ir metodus. Pasirūpinkite, kad nebūtų pažeista elektros izoliacija arba įžeminimo grandinė.
- Šiomis aplinkybėmis gali būti įtraukta oro:
  - pilvas stipriai spaudžiamas iš išorės;
  - stiprus ir ilgai trunkantis nuotėkis per kitus įprastinius prievadus arba atvirą pjūvį;
  - stiprus ir ilgalaikis siurbimas.
- Pirmiau aprašytomis aplinkybėmis insufliacijos dujos oru išstumiamos laikinai, įtrauktasis oras bus išstumtas CO<sub>2</sub>.
- Atliekant kolorektalines procedūras rekomenduojama neviršyti > 15 mm Hg insufliacijos slėgio.
- Dėl didesnio anglies dioksido insufliacijos slėgio (> 15 mm Hg) gali padidėti hiperkarbijos, poodinės emfizemos, tarpusienio pneumatozės, pneumotorakso, kapšelio pneumatozės ir žlapimo sulaukymo pavojus.
- Jeigu naudojamas papildomas triukšmą slopinantis dangtelis (8 mm, 12 mm):
  - prieš naudodami apžiūrėkite triukšmą slopinančio dangtelio putplastį ir tarpiklį;
  - baigę naudoti apžiūrėkite triukšmą slopinantį dangtelį, ar nėra jokių fizinių pažeidimų.
- Įvesdami „AirSeal“ priegios prievadą būkite ypač atsargūs. Netinkamai naudojant šį gaminį gali būti pažeisti vidaus organai ir kraujagyslės. Šie pažeidimai gali būti pavojingi gyvybei.
  - Pasirūpinkite, kad būtų sudarytas tinkamas pneumoperitoneumas arba pneumorektumas.
  - Pasirūpinkite, kad paciento kūno padėtis būtų tinkama ir organai būtų atokiau nuo įvedimo vietos.
  - „AirSeal“ priegios prievado viršūnę nukreipkite tolyn nuo svarbių kraujagyslių ir organų.
  - Pasirūpinkite, kad „AirSeal“ priegios prievado išorinė sienelė liestų tik audinį ir nebūtų įstrigusi tarp kietų paviršių, pavyzdžiui, kitų instrumentų ar kaulo, ir į juos neatsitrenktų. Dėl ilgalaikio arba staigaus sąlyčio su kietais paviršiais priegios prievadas gali būti sugadintas arba lūžti.
  - Nespauskite pemely stipriai.
- „AirSeal“ priegios prievadu turi būti įvedami tik rankiniai chirurginiai instrumentai. Į „AirSeal“ priegios prievadą NEĮVESKITE troakarų ar robotizuotų instrumentų. Netinkamai naudojamas priegios prievadas gali būti sugadintas arba lūžti.

- Beasmėnės optinės viršūnės priegios prievadaai sukonstruoti taip, kad būtų kuo mažesnė tikimybė pradurti ir pažeisti giliau esančias anatomines struktūras. Vis dėlto visais įvedimo atvejais privalu laikytis standartinių atsargumo priemonių.
- Nors beasmėnės optinės viršūnės priegios prievado viršūnė yra „beasmėnė“, kaip ir naudojant visus tokius prietaisus privalu būti atidiems, kad nebūtų pažeistos stambiosios kraujagyslės ir kitos anatominės struktūros (pavyzdžiui, žarnos arba žarnapėplė). Kad sumažintumėte tokių sužeidimų pavojų:
  - sudarykite tinkamą pneumoperitoneumą arba pneumorektumą;
  - nustatykite tinkamą paciento kūno padėtį, kad organai būtų patraukti toliau nuo pradūrimo vietos;
  - atkreipkite dėmesį į svarbius anatominius orientyrus;
  - „AirSeal“ priegios prievado viršūnę nukreipkite tolyn nuo stambiųjų kraujagyslių ir struktūrų;
  - nenaudokite pernelyg didelės arba nekontroliuojamos jėgos;
  - kai tik galima, taikykite optinę įvedimo metodiką.
- Iš dalies įvedus tereikia labai mažai jėgos, kad įvestumėte iki galo. Dėl pernelyg didelės jėgos gali būti pažeistos gilesnės anatominės struktūros.
- Tinkamai endoskopikai įvedus, beasmėnės optinės viršūnės priegios prievado nebegalima toliau stumti. Toliau įvedant šioje vietoje esantį priegios prievadą gali būti pažeistos gilesnės anatominės struktūros.
- Saugiai ir tinkamai įvedę pasirūpinkite, kad visada, kai „AirSeal“ priegios prievadas naudojamas infuflacijai, ertmėje būtų matoma „AirSeal“ priegios prievado distalinėje viršūnėje esanti juoda linija.
- Nemėginkite pradurti papildomais troakarais, kol nesudaryta pagrindinė vieta ir rekomenduojamas vidinis pilvo ertmės slėgis (paprastai 12–18 mm Hg).
- Iš ertmės ištraukę kaniulę būtinai patikrinkite vietą, ar yra hemostazė. Jeigu hemostazės nėra, turi būti taikomi tinkami metodai jai pasiekti.
- Trijų spindžių filtruojamų vamzdelių rinkinyje su aktyvintųjų anglių filtru ir dvišakių dūmų šalinimo vamzdelių rinkinyje su aktyvintųjų anglių filtru įrengti skysčio jutikliai, naudojami skysčio lygiui filtruose stebėti ir naudojami įspėti apie galimą priemonės užteršimą. Jeigu filtro korpusu esanti skysčių gaudyklė pripildoma iki **Low** (žemo) skysčio lygio, liečiamajame ekrane rodomas įspėjamas pranešimas ir pasigirsta įspėjamas signalas. Kad į filtrą nebepatektų daugiau skysčio, patikrinkite, kaip išdėstyta kaniulė ir vamzdeliai. Tada vėl įstatykite obturatorių į „AirSeal“ priegios prievadą ir pakeiskite filtruojamų vamzdelių rinkinį.
- Siekiant apsisaugoti nuo biologinio užteršimo, su kūno skysčiais besiliečiantiems instrumentams arba priemonėms gali būti taikomi specialieji šalinimo reikalavimai.

## KONTRINDIKACIJOS

„AirSeal IFS“ naudojimas kontraindikuotinas, jeigu kontraindikuotini endoskopiniai mažiausiai invaziniai metodai.

**SVARBU.** Šio pakuotės lapelio paskirtis – pateikti naudojimo instrukcijas. Jis nėra troakaro įvedimo metodų žinynas ar vadovas. Sėkmingas beasmėnės optinės viršūnės troakaro kaip pirminio prievado naudojimas po infufliacijos priklauso nuo audinių sluoksnių atpažinimo ir diferenciacijos. Dėl šios priežasties nauji naudotojai po infufliacijos turėtų naudoti optinės viršūnės troakarais kaip papildomą prievadą, kad įgytų audinių sluoksnių vizualizavimo patirties ir procedūrų kompetencijos. Optinės viršūnės troakarai kaip pagrindiniai prievadaai po infufliacijos turėtų būti naudojami tik įgyjus šios metodikos patirties.

**Pastaba.** Prieš atseitikali pateikdami apžiūrėkite sterilus barjero sistemą (-as), ar nėra jokių pakuotės vientisumo problemų, dėl kurių galėtų būti pažeistas sterilumas. Jeigu pastebėjote bet kokių sterilus barjero sistemos pažeidimų, priemonės nenaudokite.

## NAUDOJIMO INSTRUKCIJOS

### „AirSeal“ priegios prievado naudojimo „AirSeal“ režimu bendrosios instrukcijos

**Pastaba. Apie konkrečių programinės įrangos laidų funkcijas žr. IFS naudojimo instrukciją.**

1. Spustelėdami ON/OFF (įjungimo ir išjungimo) jungiklį įjunkite „AirSeal IFS“ (1 pav., A).
  2. „AirSeal IFS“ svirtelė turi būti viršutinėje, arba UNLOCK (atfiksavimo) padėtyje (1 pav., D).
  3. Prieš prijungdami trijų spindžių filtruojamų vamzdelių rinkinį palaukite, kol bus atlikta pradinė savitros procedūra.
  4. Taikydami sterilus metodus išimkite trijų spindžių vamzdelių rinkinį iš pakuotės. Kad nesugadintumėte, priemonės neapverskite ant sterilus lauko.
  5. Trijų spindžių vamzdelių rinkinio filtro korpusą įstatykite į „AirSeal IFS“ priekinėje dalyje esantį vamzdelių rinkinio lizdą (1 pav., C).
  6. Nuspauskite svirtelę žemyn, į LOCK (fiksavimo) padėtį (9 pav.), „AirSeal“ režimas įjungiamas automatiškai.
- Pastaba.** Jeigu suaktyvintas „AirSeal“ pediatrinis režimas, būsite paprašyti pasirinkti suaugusiųjų arba pediatrinį „AirSeal“ režimą. „AirSeal“ pediatrinis režimas aprašytas „AirSeal IFS“ naudojimo instrukcijoje.
7. „AirSeal IFS“ liečiamajame ekrane patikrinkite, ar pakankamas dujų tiekimo lygis (1 pav., B).
  8. Pasirinkite reikiamas paciento srauto ir slėgio nustatymus. Kad patvirtintumėte paciento nustatymus, spustelėkite „Confirm“ (Patvirtinti).

**„Veress“ adatos įvedimus naudojant beasmėnės optinės viršūnės priegios prievadą papildomos instrukcijos pateikiamos toliau. Šis metodas netaikomas, kai į pilvo ertmę įvedama buka viršūnė („Hasson“ tipo). Jeigu „Veress“ adatos įvedimo metodas netaikomas, pakeikite prie 9 vektus.**

- Prie trijų spindžių filtruojamų vamzdelių rinkinio su aktyvintųjų anglių filtru jau prijungtas vieno spindžio adapteris.
- Vieno spindžio adapterį prijunkite prie „Veress“ adatos Luero jungties ir įveskite pagal gamintojo instrukcijas.
- „AirSeal IFS“ liečiamajame ekrane nustatykite reikiamas srauto ir slėgio vertes.
- „AirSeal IFS“ liečiamajame ekrane spustelėkite „Start“ (Pradėti) – pradėdama pradinę infufliaciją.
- Užtikrinę pradinę infufliaciją, atjunkite trijų spindžių filtruojamų vamzdelių rinkinį su aktyvintųjų anglių filtru nuo vieno spindžio adapterio.
- Ištraukite „Veress“ adatą.

**Jeigu „AirSeal“ priegios prievadas nėra pirmasis įstatomas troakaras, vieno spindžio adapterį palikite prijungtu prie trijų spindžių filtruojamų vamzdelių rinkinio su aktyvintųjų anglių filtru ir perkelkite vieno spindžio adapterį prie pirmo įstatyto įprastinio troakaro Luero jungties. Vieno spindžio adapterį nuimkite tik įvedę „AirSeal“ priegios prievadą.**

9. Taikydami sterilus metodus iš pakuotės išimkite „AirSeal“ priegios prievadą ir papildomą triušmą slopinantį dangtelį (8 mm, 12 mm). Kad nesugadintumėte, priemonės neapverskite ant sterilus lauko.
10. „AirSeal“ priegios prievadas (obturatorius ir kaniulė) supakuoti jau surinkti, todėl jų surinkti nereikia. Pastaba. Jeigu reikia surinkti priegios prievadą, obturatorių įstatykite į kaniulę, kad abi šios dalys patikimai tarpusavyje užsifikuotų.
11. Pasirūpinkite, kad obturatorius ir kaniulė būtų tinkamai surinkti. **Pastaba.** Jeigu naudojate bukos viršūnės priegios prievadą, pasirūpinkite, kad spyruoklinis inkaras būtų savo vietoje (4 pav., D).
12. Atlikdami standartines chirurgines procedūras padarykite pjūvį. (Pastaba: pjūvis turi būti toks, kad jame tilptų naudojamo skersmens kaniulė. Jeigu pjūvis per mažas, gali padidėti įvedimo pasipriešinimas ir įvedant reikėti didesnės jėgos, be to, įvedama priemonė gali tapti nevaldoma.)

**Surinktas priegios prievadas yra paruoštas įvesti. Jeigu naudojate bukos viršūnės priegios prievadą, taikykite tinkamą laparoskopinę metodiką („Hassono“ stiliaus įvedimas).**

13. Sukiodami 30–90° kampų per odos pjūvį įveskite priegios prievado šarąną. Rankenėlę nuolat spauskite žemyn, tačiau kontroliuokite spaudimo jėgą.
14. Pasirūpinkite, kad priegios prievadas būtų tinkamai įvestas. Kol kas neišimkite obturatoriaus iš kaniulės. **Pastaba.** Jeigu naudojate bukos viršūnės priegios prievadą, spyruoklinis inkaras turi būti įprastiniu būdu chirurginiais siūlais pritvirtintas prie paciento pilvo.
15. Pasirūpinkite, kad visada, kai „AirSeal“ priegios prievadas naudojamas infuflacijai, ertmėje būtų matoma „AirSeal“ priegios prievado distalinėje viršūnėje esanti juoda linija.
16. Nuo „AirSeal“ priegios prievado kaniulės šono nuimkite kolektorius dangtelį, prie kaniulės kolektorius prijunkite ir priveržkite trijų spindžių filtruojamų vamzdelių rinkinio su aktyvintųjų anglių filtru distalinį galą. **Pastaba.** Jeigu „AirSeal“ žarnelių rinkinys ir priegios prievadas tinkamai nepriveržti, prietaiso slėgio rodmuo gali neatitikti paciento patiriamos slėgio. Ar patikimai prijungta, galima patikrinti apžiūrint: viena iš žarnelių rinkinio talkinio formos jungties baltų briaunelių turi būti sulgyvuota su priegios prievado viršumi (15 pav.). Kai prijungtas žarnelių rinkinys, žiūrint tiesiai į priegios prievado talkinio formos jungtį, viena iš žarnelių rinkinio jungties briaunelių turi būti tiksliai vertikali priegios prievado atžvilgiu (16 pav.).
17. „AirSeal“ suaktyvinamas automatiškai. Palikite obturatorių vietoje tol, kol pasigirs signalas ir pasirodys žalias pranešimas „AirSeal active“ („AirSeal“ aktyvus).

- Suspausdami obturatoriaus skląščio mygtukus atfiksuoikite abi priemones viena nuo kitos ir išimkite obturatorių iš kaniulės. **Pastaba.** Bukos viršūnės priegios prievade skląščio mygtukų nėra, todėl obturatorių galima išimti ištraukiant iš kaniulės.
- Kai „AirSeal“ režimas aktyvus ir iš „AirSeal“ kaniulės išimtas obturatorius, srautas palaikomas automatiškai. **Pastaba.** Galima nustatyti dūmų šalinimo lygį „High“ (Didelis) arba „Low“ (Mažas).
- Prieikus šiuo metu galima ant kaniulės uždėti papildomą triukšmą slopinantį dangtelį (8 mm, 12 mm). (**Pastaba.** Jeigu naudojate papildomą triukšmą slopinantį dangtelį, per kaniulę įvesdami aštrų arba didelį prietaisą būkite atsargūs. Atliekant procedūrą, papildomą triukšmą slopinantį dangtelį galima bet kada nuimti nuo kaniulės. Jis turi būti nuimtas prieš į kaniulę įvedant bet kokius aštrius ar didelius daiktus.)
- Baigę procedūrą liečiamajame ekrane spustelėkite **STOP** (Stabdyti), kad nutrauktumėte „AirSeal“ insufliaciją (**pastaba:** tai padarius nebeliks pneumoperitoneumo). Taikydami standartinius laparoskopijos metodus išimkite visas chirurgines priemones ir įprastiniu būdu uždarykite visas reikiamas prievadų vietas. **Pastaba.** Baigus procedūrą atliekamas „AirSeal“ režimo galutinis kalibravimas, tada išjungiamas. Šio proceso metu nesudaromas slėgis ir insufliacija. Prieš atjungdami trijų spindžių filtruojamų vamzdelių rinkinį su aktyvintųjų anglių filtru arba išjungdami IFS maitinimą palaukite, kol bus baigtas galutinio kalibravimo procesas.
- Perkelkite „AirSeal iFS“ svirtelę aukštyn arba į UNLOCK (atfiksavimo) padėtį.
- Nuo „AirSeal iFS“ vamzdelių rinkinio lizdo atjunkite trijų spindžių filtruojamų vamzdelių rinkinį su aktyvintųjų anglių filtru.
- Kadangi pradinės paleisties metu atliekamas funkcinis bandymas, prieš kiekvieną chirurginę procedūrą reikia iš naujo įjungti prietaiso maitinimą (išjungti ir vėl įjungti).

#### **Toliau pateikiamos beašmenės optinės viršūnės priegios prievado įvedimo naudojant endoskopą papildomos instrukcijos.**

##### **Pastaba. Apie konkrečių programinės įrangos laidų funkcijas žr. IFS naudojimo instrukciją.**

- 0° endoskopą prijunkite prie šviesos šaltinio ir stebėkite, kaip nurodyta gamintojo instrukcijose. Patikrinkite, ar endoskopas tinkamai prijungtas, ir pasirūpinkite, kad vaizdas monitoriuje būtų aiškus.
- Į beašmenės optinės viršūnės priegios prievado rankeną įstatykite endoskopą ir stumkite, kol jis pasieks priegios prievado distalinę viršūnę. (Endoskopo įvedimas, 12 pav.)
- Prieikus pasukiokite endoskopą. (Endoskopo įvedimas, 13 pav.)
- Kad monitoriuje būtų rodomas aiškus vaizdas, į beašmenės optinės viršūnės priegios prievado rankeną įstatykite endoskopą, priglaukite optinę viršūnę prie patogaus minkšto paviršiaus ir sufokusuokite vaizdo kamerą.
- Atlikdami standartines chirurgines procedūras padarykite pjūvį. (**Pastaba:** pjūvis turi būti toks, kad jame tilptų naudojamo skersmens kaniulė. Jeigu pjūvis per mažas, gali padidėti įvedimo pasipriešinimas ir įvedant reikėti didesnės jėgos, be to, įvedama priemonė gali tapti nevaldoma.) Sukiodami 30–90° kampų per odos pjūvį įveskite priegios prievado sąranką. Rankenėlę nuolat spauskite žemyn, tačiau kontroliuokite spaudimo jėgą.
- Įvesdami priegios prievadą, laparoskopu stebėkite, kol priegios prievadas kerta atskiras audinių plokštumas. Atskiros audinių plokštumos gali būti matomos, stumiant priegios prievadą gilyn.
- Išimkite laparorendoskopą iš beašmenės optinės viršūnės priegios prievado (endoskopo išėmimas, 14 pav.).
- Procedūrą tęskite pagal pirmiau pateiktas instrukcijas, pradėdami nuo 13 veiksmo.

#### **NAUDOJIMO INSTRUKCIJOS**

##### **„AirSeal“ priegios prievado naudojimo „AirSeal“ režimu transanaliniams procedūroms instrukcijos**

##### **Pastaba. Apie konkrečių programinės įrangos laidų funkcijas žr. IFS naudojimo instrukciją.**

- Spustelėdami ON/OFF (įjungimo ir išjungimo) jungiklį įjunkite „AirSeal iFS“ (1 pav., A).
- „AirSeal iFS“ svirtelė turi būti viršutinėje, arba UNLOCK (atfiksavimo) padėtyje (1 pav., D).
- Prieš prijungdami trijų spindžių filtruojamų vamzdelių rinkinį palaukite, kol bus atliktas pradinis savitros procedūra.
- Taikydami sterilius metodus išimkite trijų spindžių vamzdelių rinkinį iš pakuotės. Kad nesugadintumėte, priemonės neapverskite ant sterilus lauko.
- Trijų spindžių vamzdelių rinkinio filtro korpusą įstatykite į „AirSeal iFS“ priekinėje dalyje esantį vamzdelių rinkinio lizdą (1 pav., C).
- Nuspauskite svirtelę žemyn, į LOCK (fiksavimo) padėtį (9 pav.); „AirSeal“ režimas įjungiamas automatiškai. **Pastaba.** Jeigu suaktyvintas „AirSeal“ pediatrinis režimas, būsite paprašyti pasirinkti suaugusiųjų arba pediatrinį „AirSeal“ režimą. „AirSeal“ pediatrinis režimas aprašytas „AirSeal iFS“ naudojimo instrukcijoje.
- „AirSeal iFS“ liečiamajame ekrane patikrinkite, ar pakankamas dujų tiekimo lygis (1 pav., B).
- Pasirinkite reikiamus paciento srauto ir slėgio nustatymus. Kad patvirtintumėte paciento nustatymus, spustelėkite „Confirm“ (Patvirtinti).
- Taikydami sterilius metodus iš pakuotės išimkite „AirSeal“ priegios prievadą ir papildomą triukšmą slopinantį dangtelį (8 mm, 12 mm). Kad nesugadintumėte, priemonės neapverskite ant sterilus lauko.
- „AirSeal“ priegios prievadas (obturatorius ir kaniulė) supakuoti jau surinkti, todėl jų surinkti nereikia. **Pastaba.** Jeigu reikia surinkti priegios prievadą, obturatorių įstatykite į kaniulę, kad abi šios dalys patikimai tarpusavyje užfiksuočiau.
- Pasirūpinkite, kad obturatorius ir kaniulė būtų tinkamai surinkti.
- Laikykites pasirinktos transanalinės priegios platformos priemonės gamintojo pateiktą įstatymo į tiesiąją žarną instrukcijų.
- Per tinkamose padėtyje esantį spindį arba kaniulę įveskite priegios prievadą į transanalinės priegios platformos priemonę. Į transanalinės priegios platformos priemonę įvedama priegios prievadą sukiokite 30–90° kampu. Priegios prievadą nuolat, tačiau kontroliuodami, spauskite, kol įtvirtinsite transanalinės priegios platformos priemonėje.
- Pasirūpinkite, kad obturatorius ir kaniulė būtų tinkamai įvesti. Kol kas neišimkite obturatoriaus iš kaniulės sąrankos.
- Nuo „AirSeal“ priegios prievado kaniulės šono nuimkite kolektoriaus dangtelį, prie kaniulės kolektoriaus prijunkite ir priveržkite trijų spindžių filtruojamų vamzdelių rinkinio su aktyvintųjų anglių filtru distalinį galą. **Pastaba.** Jeigu „AirSeal“ žarnelių rinkinys ir priegios prievadas tinkamai nepriveržti, prietaiso slėgio rodmuo gali neatitikti paciento patiriamą slėgio. Ar patikimai prijungta, galima patikrinti apžiūrint: viena iš žarnelių rinkinio taikinio formos jungties baltų briaunelių turi būti sulgyuota su priegios prievado viršumi (15 pav.). Kai prijungtas žarnelių rinkinys, žiūrint tiesiai į priegios prievado taikinio formos jungtį, viena iš žarnelių rinkinio jungties briaunelių turi būti tiksliai vertikali priegios prievado atžvilgiu (16 pav.).
- „AirSeal“ suaktyvinamas automatiškai. Palikite obturatorių vietoje tol, kol pasigirs signalas ir pasirodys žalias pranešimas „AirSeal active“ („AirSeal“ aktyvus).
- Suspausdami obturatoriaus skląščio mygtukus atfiksuoikite abi priemones viena nuo kitos ir išimkite obturatorių iš kaniulės.
- Kai „AirSeal“ režimas aktyvus ir iš „AirSeal“ kaniulės išimtas obturatorius, srautas palaikomas automatiškai. **Pastaba.** Galima nustatyti dūmų šalinimo lygį „High“ (Didelis) arba „Low“ (Mažas).
- Prieikus šiuo metu galima ant kaniulės uždėti papildomą triukšmą slopinantį dangtelį (8 mm, 12 mm). (**Pastaba.** Jeigu naudojate papildomą triukšmą slopinantį dangtelį, per kaniulę įvesdami aštrų arba didelį prietaisą būkite atsargūs. Atliekant procedūrą, papildomą triukšmą slopinantį dangtelį galima bet kada nuimti nuo kaniulės. Jis turi būti nuimtas prieš į kaniulę įvedant bet kokį aštrų ar didelį daiktą.)
- Baigę procedūrą liečiamajame ekrane spustelėkite **STOP** (Stabdyti), kad nutrauktumėte „AirSeal“ insufliaciją (**pastaba:** tai padarius nebeliks pneumoperitoneumo). Taikydami standartinius laparoskopijos metodus išimkite visas chirurgines priemones ir įprastiniu būdu uždarykite visas reikiamas prievadų vietas. **Pastaba.** Baigus procedūrą atliekamas „AirSeal“ režimo galutinis kalibravimas, tada išjungiamas. Šio proceso metu nesudaromas slėgis ir insufliacija. Prieš atjungdami trijų spindžių filtruojamų vamzdelių rinkinį su aktyvintųjų anglių filtru arba išjungdami IFS maitinimą palaukite, kol bus baigtas galutinio kalibravimo procesas.
- Perkelkite „AirSeal iFS“ svirtelę aukštyn arba į UNLOCK (atfiksavimo) padėtį.
- Nuo „AirSeal iFS“ vamzdelių rinkinio lizdo atjunkite trijų spindžių filtruojamų vamzdelių rinkinį su aktyvintųjų anglių filtru.
- Kadangi pradinės paleisties metu atliekamas funkcinis bandymas, prieš kiekvieną chirurginę procedūrą reikia iš naujo įjungti prietaiso maitinimą (išjungti ir vėl įjungti).

## **Naudojimo dūmų šalinimo ir standartinės insufliacijos režimais bendrosios instrukcijos**

### **PRADINĖ INSUFILIACIJA NAUDOJANT „VERESS“ ADATĄ**

#### ***Pastaba. Apie konkrečių programinių įrangos laidų funkcijas žr. IFS naudojimo instrukciją.***

1. Spustelėdami ON/OFF (jungimo ir išjungimo) jungiklį įjunkite „AirSeal IFS“ (1 pav., A).
2. Pasibaigus diagnostinei savitkrai, „AirSeal IFS“ liečiamajame ekrane rodomame režimų pasirinkimo sąraše pasirinkite „Smoke Evacuation Mode“ (dūmų šalinimo režimą) arba „Standard Insufflation Mode“ (standartinį insufliacijos režimą) (1 pav., B).
3. „AirSeal IFS“ liečiamajame ekrane patikrinkite, ar pakankamas dujų tiekimo lygis (1 pav., B).
4. Prie „AirSeal IFS“ prijunkite reikiamą vamzdelių rinkinį (kaip prijungti dvišakį dūmų šalinimo vamzdelių rinkinį su aktyvintųjų anglių filtru, žr. toliau pateiktas specialiąsias instrukcijas).  
**Pastaba.** Skirtingai nei kiti vamzdelių rinkiniai, vieno spindžio vamzdelių rinkinys jungiamas prie „AirSeal IFS“ priekinėje dalyje esančio insufliacijos vamzdelių jungiamąjo kaiščio.
5. Vamzdelių rinkinio fiksuojamąjį Luerio jungtį įprastiniu būdu prijunkite prie „Veress“ adatos galo arba įprastinio troakaro. (Kaip prijungti dvišakį dūmų šalinimo vamzdelių rinkinį su aktyvintųjų anglių filtru, žr. toliau pateiktas specialiąsias instrukcijas).
6. „AirSeal IFS“ liečiamajame ekrane nustatykite reikiamas srauto ir slėgio vertes. Kad patvirtintumėte paciento nustatymus, spustelėkite „Confirm“ (Patvirtinti).
7. „AirSeal IFS“ liečiamajame ekrane spustelėkite „Start“ (Pradėti) – pradeda pradine insufliacija.
8. Užtikrinę pradinę insufliaciją įveskite įprastinį troakarų su standartinėmis Luerio jungtimis.
9. Baigę procedūrą liečiamajame ekrane spustelėkite **STOP** (Stabdyti), kad nutrauktumėte insufliaciją (**pastaba:** tai padarius nebeliks pneumoperitoneumo). Taikydami standartinis laparoskopijos metodus išimkite visas chirurgines priemones ir įprastiniu būdu uždarykite visas reikiamas priedavų vietas.
10. Nuo „AirSeal IFS“ atjunkite vamzdelių rinkinį (kaip atjungti dvišakį dūmų šalinimo vamzdelių rinkinį su aktyvintųjų anglių filtru, žr. toliau pateiktas specialiąsias instrukcijas).
11. Kadangi pradinės paleisties metu atliekamas funkcinis bandymas, prieš kiekvieną chirurginę procedūrą reikia iš naujo įjungti prietaiso maitinimą (išjungti ir vėl įjungti).

### **Kaip naudoti dvišakį dūmų šalinimo vamzdelių rinkinį su aktyvintųjų anglių filtru, žr. toliau pateiktas instrukcijas.**

#### **Dviejų įprastinių troakarų su standartinėmis Luerio jungtimis ir dvišakio dūmų šalinimo vamzdelių rinkinio su aktyvintųjų anglių filtru naudojimas**

Skaidrus vamzdelis: insufliacija.

Mėlynas vamzdelis: dūmų šalinimas.

#### **Dvišakio dūmų šalinimo vamzdelių rinkinio su aktyvintųjų anglių filtru jungimas**

#### ***Pastaba. Apie konkrečių programinių įrangos laidų funkcijas žr. IFS naudojimo instrukciją.***

1. „AirSeal IFS“ svirtelė turi būti viršutinėje, arba UNLOCK (atfiksavimo) padėtyje (1 pav., D).
2. Dvišakio dūmų šalinimo vamzdelių rinkinio aktyvintųjų anglių filtro korpusą įstatykite į „AirSeal IFS“ priekinėje dalyje esantį vamzdelių rinkinio lizdą (1 pav., C).
3. Nuspaskite svirtelę žemyn, į LOCK (fiksavimo) padėtį.
4. Prie dvišakio dūmų šalinimo vamzdelių rinkinio su aktyvintųjų anglių filtru skaidraus vamzdelio fiksuojamosios Luerio jungties prijunkite „Veress“ adatą.
5. „AirSeal IFS“ liečiamajame ekrane nustatykite reikiamas srauto ir slėgio vertes. Kad patvirtintumėte paciento nustatymus, spustelėkite „Confirm“ (Patvirtinti).
6. „AirSeal IFS“ liečiamajame ekrane spustelėkite „Start“ (Pradėti) – pradeda pradine insufliacija.
7. Pasirūpinkite, kad kaniulės būtų tinkamai įvestos.
8. Ištraukite „Veress“ adatą ir atjunkite nuo dvišakio dūmų šalinimo vamzdelių rinkinio su aktyvintųjų anglių filtru.
9. Dvišakio dūmų šalinimo vamzdelių rinkinio su aktyvintųjų anglių filtru **SKAIDRAUS** vamzdelio fiksuojamąjį Luerio jungtį prijunkite prie įprastinės kaniulės. Atidarykite įleidimo srauto vožtuvą (čiaupą).
10. Vykdysite „AirSeal IFS“ liečiamajame ekrane rodomus nurodymus. Pasirodžius atitinkamam nurodymui, dvišakio dūmų šalinimo vamzdelių rinkinio su aktyvintųjų anglių filtru **MĖLYNO** vamzdelio fiksuojamąjį Luerio jungtį prijunkite prie kitos įprastinės kaniulės. Insufliacija tebėra aktyvi.
11. Dvišakio dūmų šalinimo vamzdelių rinkinio su aktyvintųjų anglių filtru **MĖLYNĄ** vamzdelį prijungus prie antrosios įprastinės kaniulės pradami šalinti dūmai.

RIMTI INCIDENTAI – apie visus su šios priemonės naudojimu susijusius rimtus incidentus tuojau pat praneškite CONMED klientų aptarnavimo skyriui arba vietiniam CONMED atstovui. El. paštas: CustomerExperience@CONMED.com

#### **Dvišakio dūmų šalinimo vamzdelių rinkinio su aktyvintųjų anglių filtru atjungimas**

#### ***Pastaba. Apie konkrečių programinių įrangos laidų funkcijas žr. IFS naudojimo instrukciją.***

1. Baigę procedūrą liečiamajame ekrane spustelėkite **STOP** (Stabdyti), kad nutrauktumėte insufliaciją (**pastaba:** tai padarius nebeliks pneumoperitoneumo). Taikydami standartinis laparoskopijos metodus išimkite visas chirurgines priemones ir įprastiniu būdu uždarykite visas reikiamas priedavų vietas.
2. Perkelkite „AirSeal IFS“ svirtelę aukštyn arba į UNLOCK (atfiksavimo) padėtį.
3. Nuo „AirSeal IFS“ vamzdelių rinkinio lizdo atjunkite dvišakį dūmų šalinimo filtrovamzdelių rinkinį su aktyvintųjų anglių filtru.
4. Kadangi pradinės paleisties metu atliekamas funkcinis bandymas, prieš kiekvieną chirurginę procedūrą reikia iš naujo įjungti prietaiso maitinimą (išjungti ir vėl įjungti).

### **ŠALINIMAS**

Priemonę šalinkite pagal vietinius ligoninės reikalavimus.

### **KAIP TIEKIAMA**

Kiekvienas „AirSeal“ optinis priegijos priedavas, „AirSeal“ žemo profilio priegijos priedavas, papildomas triukšmo slopinimo dangtelis (8 mm, 12 mm), „AirSeal“ bukos viršūnės priegijos priedavas, „AirSeal“ kaniulė, dvišakis dūmų šalinimo vamzdelių rinkinys su aktyvintųjų anglių filtru, trijų spindžių filtruojamųjų vamzdelių rinkinys su aktyvintųjų anglių filtru, vieno spindžio vamzdelių rinkinys ir „AirSeal“ vieno spindžio adapteris tiekiami sterilizuoti gama spinduliais ir skirti naudoti vienam pacientui. Baigę naudoti išmeskite „AirSeal“ priegijos priedavai, triukšmo slopinimo dangteliai ir vamzdelių rinkiniai pagaminti nenaudojant natūralaus kaučiuko latekso.

„AirSeal IFS“ yra nesterilus ir daugkartinio naudojimo.

„AirSeal™“ yra „CONMED Corporation“ registruotasis prekių ženklas.

**RE: ONLY** DĖMESIO. Pagal JAV federalinius įstatymus ši priemonė gali būti parduodama tik su gydytojo paskyrimu.

**AirSeal® IFS****Prístupový port AirSeal®**

Prístupové porty s optickým hrotom bez čepele, s nízkoprofilovým optickým hrotom bez čepele, s rukoväťou a optickým hrotom bez čepele a prístupové porty s tupým hrotom

**Súpravy filtračných hadičiek AirSeal®**

Súprava trojlúmenovej filtračnej hadičky s filtrom z aktívneho uhlia, súprava rozvojenej dym odvádzajúcej filtračnej hadičky s filtrom z aktívneho uhlia, súprava jednolúmenovej filtračnej hadičky

**Schematické zobrazenie: Ilustrácia a názvoslovie**

<p><b>AirSeal IFS (obr. 1)</b></p> <p>A. Spínač ON/OFF (Zap./Vyp.)            B. Dotyková obrazovka            C. Vstup AirSeal a na pripojenie súpravy hadičky na odvádzanie dymu            D. Zaisťovacia páčka            E. Pripojenie insulačnej hadičky pri štandardnom insulačnom režime</p> <p><b>Prístupové porty bez čepele (obr. 2/3)</b></p> <p>A. Rozvodná zástrčka            B. Kanyla            C. Obturátor s optickým hrotom bez čepele            D. Západka kanyly</p> <p><b>Prístupové porty s tupým hrotom (obr. 4)</b></p> <p>A. Rozvodná zástrčka            B. Kanyla            C. Obturátor s tupým hrotom            D. Pružinová kotva – kotviaca pomôcka uchytená sutúrou</p> <p><b>Voliteľný zvukový uzáver (obr. 5)</b></p>	<p><b>Súpravy hadičiek (obr. 6/7/8)</b></p> <p>A. Filter            B. Hadička s dĺžkou 8 – 10 stôp (2,44 – 3,05 m)            C. Spojka Luer Lock            D. Zostava adaptéru s jedným lúmenom            E. Kridlový prstenec</p> <p><b>Režim AirSeal (obr. 9)</b></p> <p><b>Režim odvádzania dymu (obr. 10)</b></p> <p><b>Režim štandardnej insuflácie (obr. 11)</b></p> <p><b>Zavedenie endoskopu (obr. 12)</b></p> <p>A. Prístupový port AirSeal            B. Endoskop vhodnej veľkosti</p> <p><b>Zavedenie endoskopu (obr. 13)</b></p> <p>A. Krúťtvý pohyb pri zavádzaní zmierni silu zavedenia</p> <p><b>Vytiahnutie endoskopu (obr. 14)</b></p> <p>A. Vytiahnite endoskop            B. Zatláčením sem uvoľníte kanylu</p> <p><b>Pohľad zhora na prístupový port AirSeal so správnym pripojením k súprave hadičiek AirSeal (obr. 15)</b></p> <p>A. Lamela konektora súpravy hadičiek s otvorom</p> <p><b>Pohľad spredu na prístupový port AirSeal so správnym pripojením k súprave hadičiek AirSeal (obr. 16)</b></p> <p>A. Lamela konektora súpravy hadičiek s otvorom</p>
---	---

**DÔLEŽITÉ! PRED POUŽITÍM PRODUKTU SI DOKLADNE PREČÍTAJTE NASLEDUJÚCE INFORMÁCIE.**

Táto brožúra je určená na pomoc pri používaní tohto produktu. Nejde o referenčnú príručku chirurgických techník. Okrem toho si pozrite aj návod na použitie systému AirSeal IFS, kde nájdete úplné pokyny k insuflátoru AirSeal IFS a všetkým prevádzkovým režimom.

**INDIKÁCIE NA POUŽITIE:**

Systém CONMED AirSeal® IFS je určený na použitie pri diagnostických alebo terapeutických endoskopických postupoch s cieľom roziahnuť dutinu naplnením plynom, vytvoriť a udržať plynotesnú cestu bez prekážok na vstup endoskopických nástrojov a odsávať chirurgický dym. Je určený na použitie pri brušných, hrudných a pediatrických výkonoch, kde je potrebná insuflácia na uľahčenie použitia rôznych torakoskopických a laparoskopických nástrojov naplnením brušnej alebo hrudnej dutiny plynom a vytvorením a udržiavaním plynotesného prístupu pre nástroje bez prekážok a odsávaním chirurgického dymu. Tento systém je možné použiť aj na roziahnutie rekta a hrubého čreva, aby sa vytvorili podmienky pre endoskopické vyšetrenia a umožnili diagnostické a terapeutické zákroky. Trokár systému AirSeal® IFS je indikovaný na použitie s vizualizáciou alebo bez nej.

**Systém AirSeal IFS má tri prevádzkové režimy:**

1. **Režim AirSeal (obr. 9)**
2. **Režim odvádzania dymu (obr. 10)**
3. **Režim štandardnej insuflácie (obr. 11)**

**Režim AirSeal:**

Pri použití v režime AirSeal je systém AirSeal IFS navrhnutý tak, aby zabezpečoval prísun plynného CO<sub>2</sub> so stabilným pneumoperitoneom a neustále odvádzanie dymu pri laparoskopických operáciách. V tomto režime sa vyžaduje použitie systému AirSeal IFS, prístupového portu AirSeal a súpravy trojlúmenovej filtračnej hadičky s filtrom z aktívneho uhlia. Súprava trojlúmenovej filtračnej hadičky s filtrom z aktívneho uhlia slúži na pripojenie prístupového portu AirSeal k systému AirSeal IFS (obr. 9).

**Režim odvádzania dymu:**

Pri použití v režime odvádzania dymu je systém AirSeal IFS navrhnutý tak, aby zabezpečoval prísun plynného CO<sub>2</sub> a neustále odvádzanie dymu pri laparoskopických operáciách. V tomto režime sa vyžaduje použitie systému AirSeal IFS, dvoch bežných trokárov (nie AirSeal) so štandardnými luerovými portami a súpravy rozvojenej dym odvádzajúcej hadičky AirSeal s filtrom z aktívneho uhlia. Dva bežné trokáre slúžia na pripojenie súpravy rozvojenej dym odvádzajúcej hadičky s filtrom z aktívneho uhlia na zabezpečenie prísunu plynného CO<sub>2</sub> a cesty na odvádzanie dymu. Súprava rozvojenej dym odvádzajúcej hadičky s filtrom z aktívneho uhlia je rozvojená a pripája sa na dva bežné trokáre podobne ako na systém AirSeal IFS (obr. 10).

**Režim štandardnej insuflácie:**

Pri použití v režime štandardnej insuflácie je systém AirSeal IFS navrhnutý tak, aby zabezpečoval prísun plynného CO<sub>2</sub> a štandardnú insufláciu pri laparoskopických operáciách v rovnakom formáte ako bežné insuflátory. V tomto režime sa vyžaduje použitie systému AirSeal IFS, jedného bežného trokára (nie AirSeal) so štandardným luerovým portom a súpravy jednolúmenovej filtračnej hadičky. Luerový port na trokári sa pripojí k súprave jednolúmenovej filtračnej hadičky, čím sa zabezpečí štandardná insuflácia a prísun plynného CO<sub>2</sub>. Cez súpravu jednolúmenovej filtračnej hadičky sa pripojí bežný trokár k systému AirSeal IFS (obr. 11).

**Prístupový port AirSeal má dve dostupné konfigurácie:**

1. **Prístupový port s optickým hrotom bez čepele (obr. 2 a 3)**
2. **Prístupový port s tupým hrotom (obr. 4)**

Ak sa na primárny vstup použije niektorý z prístupových portov s optickým hrotom bez čepele, odporúča sa použiť laparoskop na zabezpečenie vizualizácie, aby bol vstup do brušnej dutiny bezpečnejší.

**Súpravy hadičiek AirSeal majú tri dostupné konfigurácie:**

1. **Súprava trojlúmenovej filtračnej hadičky s filtrom z aktívneho uhlia (obr. 6)**
2. **Súprava rozvojenej dym odvádzajúcej hadičky s filtrom z aktívneho uhlia (obr. 7)**
3. **Súprava jednolúmenovej filtračnej hadičky (obr. 8)**

Skontrolujte, či sa používa správna súprava hadičky pre režim zvolený v systéme AirSeal IFS. V prípade zavedenia nesprávnej súpravy hadičky nebude zvolený režim systému AirSeal IFS pokračovať a zobrazí sa varovné hlásenie.

Súpravy filtračných hadičiek nie sú určené na nabratie tekutiny. Ak sa do filtra dostane tekutina, na dotykovej obrazovke systému AirSeal IFS sa zobrazí výstražné hlásenie. V takom prípade je potrebné skontrolovať umiestnenie kanyly a pripraviť sa na výmenu súpravy hadičky.

## VÝSTRAHY:

- Ak nebudete postupovať presne podľa návodu na použitie, môže to mať vážne operačné dôsledky.
- Komponenty systému AirSeal smú používať iba kvalifikovaní lekári s poznatkami, skúsenosťami a zaskolením v oblasti laparoskopických techník.
- Tento návod na použitie neobsahuje opisy ani pokyny k chirurgickým technikám a laparoskopickým postupom. Povinnosťou lekára vykonávajúceho akýkoľvek zákrok je určiť vhodnosť daného typu zákroku, ktorý sa má vykonať s danými produktmi, ako aj konkrétnu techniku pre jednotlivých pacientov.
- Priložené komponenty systému AirSeal sú sterilné iba vtedy, ak sa použijú pred uplynutím dátumu expirácie a ak balenie nebolo otvorené a poškodené. NEPOUŽÍVAJTE po dátume expirácie alebo ak je balenie otvorené alebo poškodené.
- Všetky jednorazové pomôcky systému AirSeal (prístupové porty a súpravy hadičiek) sú balené a sterilizované len na použitie u jedného pacienta. Nepoužívajte opakovane, nespracovávajte opakovane ani nesterilizujte opakovane. Opakované použitie, opakované spracovanie alebo opakovaná sterilizácia môžu narušiť konštrukčnú celistvosť pomôcky alebo spôsobiť jej zlyhanie, čo potom môže viesť k zraneniu, ochoreniu alebo smrti pacienta. Opakované spracovanie alebo opakovaná sterilizácia jednorazových pomôcok môžu vyvolať aj riziko kontaminácie alebo infekcie alebo križovej infekcie pacienta, okrem iného vrátane prenosu infekčnej choroby (chorôb) z jedného pacienta na druhého. Kontaminácia pomôcky môže viesť k zraneniu, ochoreniu alebo smrti pacienta.
- Hrot kanyly neponárajte do preplachovacieho ani telesných tekutín.
- Alarm systému AirSeal IFS zaznie, ak dôjde k zablokovaniu vetracích otvorov na bokoch alebo na dne riadiacej konzoly. Ak zaznie alarm, skontrolujte, či vetracie otvory nie sú zablokované.
- Ak uvedené stavy NEEEXISTUJÚ a alarm neprestal znieť, systém AirSeal IFS prestaňte používať a vráťte ho výrobcovi na opravu.

## BEZPEČNOSTNÉ OPATRENIA:

- Vytvorenie pneumoperitonea má známe fyziologické vedľajšie účinky vrátane zníženého venózneho návratu, zníženého minútového objemu srdca, zníženej funkcie obličiek, zvýšeného vnútrolebečného tlaku, zvýšeného odporu dýchacích ciest a zníženej poddajnosti pľúc.
- Minimálne invazívne zákroky majú vykonávať iba osoby, ktoré absolvovali primeranú prípravu, majú potrebné vedomosti a príslušné schopnosti v oblasti minimálne invazívnych chirurgických techník. Pred vykonaním akéhokoľvek minimálne invazívneho zákroku si pozrite lekársku literatúru týkajúcu sa príslušných techník, komplikácií a nebezpečenstiev.
- Nutnosťou je dôkladné pochopenie princípov a techniky laserových, elektrochirurgických a ultrazvukových zákrokov, aby nedošlo k nebezpečenstvu zásahu elektrickým prúdom alebo popáleniu pacienta a zdravotníckeho personálu a k poškodeniu pomôcky a iných lekárskeho nástrojov. Skontrolujte, či nie je poškodená elektrická izolácia alebo uzemnenie.
- Možnosť zachytenia vzduchu existuje za nasledujúcich podmienok:
  - silný tlak aplikovaný zvonka na brucho,
  - silné a dlhotrvajúce presakovanie cez iné zavedené bežné porty alebo otvorené rezy,
  - silné a dlhotrvajúce odsávanie.
- Za opísaných podmienok je vytlačenie insulačného plynu vzduchom prechodné a zachytený vzduch sa vytlačí pomocou CO<sub>2</sub>.
- Pri kolorektálnych postupoch sa odporúča nepresahovať insulačný tlak > 15 mm Hg.
- Vyššie tlaky (> 15 mm Hg) s insuláciou oxidu uhličitého môžu zvýšiť riziko hyperkapnie, podkožného emfyzému, pneumomediastina, pneumothoraxu, pneumoskrota a močovej retencie.
- Ak používate voliteľný zvukový uzáver (8 mm, 12 mm):
  - Pred použitím skontrolujte penu a tesnenie zvukového uzáveru.
  - Po použití skontrolujte zvukový uzáver z hľadiska akéhokoľvek fyzického poškodenia.
- Pri zavádzaní prístupového portu AirSeal postupujte mimoriadne opatrne. Nesprávne použitie tohto produktu môže viesť k život ohrozujúcemu poraneniu vnútorných orgánov a ciev.
  - Zabezpečte, aby bolo vytvorené dostatočné pneumoperitoneum alebo pneumorektum
  - Skontrolujte, či pacient je v správnej polohe tak, aby orgány boli mimo miesta prieniku
  - Hrot prístupového portu AirSeal smerujte preč od dôležitých ciev a orgánov
  - Dbajte na to, aby vonkajšia stena prístupového portu AirSeal bola v kontakte iba s tkanivom a nebola zachytená medzi tvrdými povrchmi, ani s nimi nenarážala, ako sú iné nástroje alebo kosť. Dlhší alebo náhly kontakt s tvrdými povrchmi môže spôsobiť poškodenie alebo zlomenie prístupového portu.
  - Nepoužívajte prílišnú silu pôsobiacu nadol
- Cez prístupový port AirSeal môžu prechádzať iba chirurgické ručné nástroje. NEVKLADAJTE trokary ani robotické nástroje do prístupového portu AirSeal. Nesprávne použitie môže viesť k poškodeniu alebo rozbitiu prístupového portu.
- Konštrukčné prvky prístupového portu s optickým hrotom bez čepele majú minimalizovať pravdepodobnosť penetračného poranenia anatomických štruktúr pod miestom prieniku. Je však potrebné dodržiavať štandardné preventívne opatrenia uplatňované pri všetkých takýchto vstupoch.
- Hoci prístupový port s optickým hrotom bez čepele má „bezčepeľový“ hrot, je potrebné postupovať opatrne – podobne ako pri všetkých takýchto pomôckach –, aby nedošlo k poškodeniu veľkých ciev a iných anatomických štruktúr (napr. čriev alebo mezenteria). S cieľom minimalizovať riziko takéhoto poranenia:
  - vytvorte dostatočné pneumoperitoneum alebo pneumorektum,
  - uložte pacienta do správnej polohy, ktorá pomôže vytlačiť orgány z priestoru prieniku,
  - všimnite si dôležité anatomicke orientačné body,
  - hrot prístupového portu AirSeal orientujte smerom od veľkých ciev a štruktúr,
  - nepoužívajte prílišnú ani neregulovanú silu,
  - vždy, keď je to možné, použite techniku optického vstupu.
- Po dosiahnutí čiastočného vstupu treba na dokončenie vstupu už len veľmi malú silu. Nadmerná sila môže spôsobiť poranenie anatomických štruktúr pod miestom prieniku.
- Po laparoskopickom vykonaní správneho vstupu sa prístupový port s optickým hrotom bez čepele nesmie zavádzať ďalej na ďalší prienik. Pokračujúce vstupovanie trokára by v tomto bode mohlo spôsobiť poranenie anatomických štruktúr pod miestom prieniku.
- Po dosiahnutí bezpečného a správneho vstupu skontrolujte, či čierna čiara na distálnom hrote prístupového portu AirSeal je v dutine viditeľná vždy, keď sa na insuláciu používa prístupový port AirSeal.
- Nepokúšajte sa o sekundárne vpichy trokára, kým sa nevytvorí primárne miesto a odporúčaný vnútrobrušný tlak (obvykle 12 – 18 mm Hg).
- Po odstránení kanyly z dutiny vždy skontrolujte hemostázu na mieste. Ak hemostáza nie je prítomná, dosiahnite ju pomocou vhodných techník.
- Súpravy trojúhrovej filtračnej hadičky s filtrom z aktívneho uhlia a rozdvajajúcej dym odvádzajúcej hadičky s filtrom z aktívneho uhlia sú vybavené senzormi tekutiny, ktoré sledujú hladinu tekutiny vo filtroch a upozornia používateľa na možnú kontamináciu pomôcky. Ak je zachytávaná tekutina na kryte filtra naplnený na úrovni **Low** (Nizka), na dotykovej obrazovke sa zobrazia varovné hlásenie a prístroj vydá zvukový signál. Je potrebné skontrolovať umiestnenie kanyly a hadičiek na zaručenie, že do filtra sa nedostáva žiadna tekutina. V tomto štádiu opäť zasuňte obturator do prístupového portu AirSeal a vymeňte súpravu filtračnej hadičky.
- Nástroje alebo pomôcky, ktoré prichádzajú do styku s telesnými tekutinami, si môžu vyžadovať špeciálnu likvidáciu, aby nedošlo k biologickej kontaminácii.

## KONTRAINDIKÁCIE

Použitie systému AirSeal IFS je kontraindikované v prípadoch, keď sú kontraindikované minimálne invazívne endoskopické techniky.

**DÔLEŽITÉ:** Tento príbalový leták obsahuje návod na použitie. Nejde o referenčný materiál ani usmernenie k technikám zavádzania trokárov. Úspešné použitie trokára s optickým hrotom bez čepele ako primárneho portu po insulácii závisí od rozpoznania a rozlíšenia jednotlivých vrstiev tkaniva. Noví používatelia by preto mali používať trokáre s optickým hrotom ako sekundárny port po insulácii, aby nadobudli skúsenosti a procesnú spôsobilosť pri vizualizácii tkanivových vrstiev. Trokáre s optickým hrotom sa smú používať ako primárny port po insulácii až po nadobudnutí skúsenosti s uvedenou technikou.

**Poznámka:** Pred aseptickým vybalením pomôcky vizuálne skontrolujte systémy sterilnej bariéry, či sa nenarušila integrita balenia, čo by mohlo mať dopad na sterilitu. Nepoužívajte, ak zistíte akékoľvek porušenie systému sterilnej bariéry.

## NÁVOD NA POUŽITIE

### **Všeobecný návod na použitie prístupového portu AirSeal v režime AirSeal:**

**Poznámka:** Funkcie súvisiace s konkrétnymi revíziami softvéru nájdete v návode na použitie systému IFS.

1. Systém AirSeal IFS zapnite stlačením spínača ON/OFF (Zap./Vyp.) (obr. 1, A).
2. Páčka na systéme AirSeal IFS musí byť hore, čiže v polohe UNLOCK (Odstíť) (obr. 1, D).
3. Pred zasunutím súpravy trojlúmenovej filtračnej hadičky počkajte na dokončenie počiatočnej automatickej kontroly.
4. Sterilnou technikou vyberte súpravu trojlúmenovej hadičky z balenia. Nástroj neprekáčajte do sterilného poľa, aby sa nepoškodil.
5. Puzdro filtra súpravy trojlúmenovej hadičky vložte do vstupu na pripojenie súpravy hadičky, ktorý sa nachádza na prednej strane systému AirSeal IFS (obr. 1, C).
6. Zatiačte páčku nadol do polohy LOCK (Zaistiť) (obr. 9) a automaticky sa aktivuje režim AirSeal.  
**Poznámka:** Ak je aktivovaný pediatrický režim AirSeal, zobrazí sa výzva na výber režimu pre dospelých alebo pediatrického režimu AirSeal. Podrobnosti o pediatrickom režime AirSeal nájdete v návode na použitie systému AirSeal IFS.
7. Na dotykovej obrazovke systému AirSeal IFS overte, či je dostatočná hladina prívodu plynu (obr. 1, B).
8. Zvoľte požadované nastavenia prietoku a tlaku pre daného pacienta. Stlačením tlačidla „Confirm“ (Potvrdiť) potvrdíte nastavenia pacienta.

**V nasledujúcom texte si pozrite ďalšie pokyny týkajúce sa vstupu Veressovou ihlou s prístupovým portom s optickým hrotom bez čepele. Táto technika sa nepoužíva na vstup do brušnej dutiny tupým hrotom (Hassonovým typom). Ak sa nepoužíva technika vstupu s Veressovou ihlou, prejdite na 9. krok.**

- Jednolúmenový adaptér je vopred pripojený na súpravu trojlúmenovej filtračnej hadičky s filtrom z aktívneho uhlia.
- Pripojte jednolúmenový adaptér hadičky na luerový port Veressovej ihly a zaveďte podľa pokynov výrobcu.
- Na dotykovej obrazovke systému AirSeal IFS nastavte požadovanú hodnotu prietoku a tlaku.
- Na dotykovej obrazovke systému AirSeal IFS stlačte tlačidlo Start (Start), čím sa začne počiatočná insuflácia.
- Po dosiahnutí počiatočnej insuflácie odpojte súpravu trojlúmenovej filtračnej hadičky s filtrom z aktívneho uhlia z jednolúmenového adaptéra.
- Odstráňte Veressovu ihlu.

**Ak prístupový port AirSeal nie je prvý trokrák, ktorý sa bude zavádzať, nechať jednolúmenový adaptér pripojený na súpravu trojlúmenovej filtračnej hadičky s filtrom z aktívneho uhlia a preveďte ho na luerový port prvého bežného zavedeného trokráka. Jednolúmenový adaptér odstráňte až po vložení prístupového portu AirSeal.**

9. Sterilnou technikou vyberte prístupový port AirSeal a voľiteľný zvukový uzáver (8 mm, 12 mm) z balenia. Nástroj neprekáčajte do sterilného poľa, aby sa nepoškodil.
10. Prístupový port AirSeal (obturátor a kanyla) sa bali už zmontovaný, takže nie je potrebné ho zmontovať. **Poznámka:** Ak potrebujete zmontovať prístupový port, obturátor vsúvajte do kanyly, kým do seba bezpečne nezapadnú.
11. Skontrolujte, či sú obturátor a kanyla riadne zmontované. **Poznámka:** Ak sa použije prístupový port s tupým hrotom, skontrolujte, či je založená aj pružinová kotva (obr. 4, D).
12. Pomocou štandardných chirurgických postupov vytvorte rez. (**Poznámka:** Rez musí zodpovedať priemeru kanyly. Nedostatočný rez môže spôsobiť zvýšený odpor pri zasúvaní, čo zvýši potrebnú silu prenikania a môže spôsobiť stratu kontroly počas vstupu.)

**Teraz je všetko pripravené na vsunutie zmontovaného prístupového portu. Ak používate prístupový port s tupým hrotom, použite vhodnú laparoskopickú techniku (vstup Hassonovým štýlom).**

13. Zostavu s prístupovým portom zaveďte cez kožný rez otáčavým pohybom, počínajúc otočením o 30° a končiac otočením o 90°. Na rukoväť vyvíjajte neustály, ale regulovaný tlak smerom nadol.
14. Skontrolujte, či je prístupový port správne zavedený. Obturátor z kanyly teraz nevyťahujte. **Poznámka:** V prípade použitia prístupového portu s tupým hrotom by mala byť pružinová kotva zaistená bežným spôsobom suturem k bruchu pacienta.
15. Skontrolujte, či čierna čiara na distálnom hrote prístupového portu AirSeal je v dutine viditeľná vždy, keď sa na insufláciu používa prístupový port AirSeal.
16. Z bočnej strany kanyly na prístupovom porte AirSeal vytiahnite rozvodnú zástrčku a distálny koniec súpravy trojlúmenovej filtračnej hadičky s filtrom s aktívnym uhlím pripojte na rozvod kanyly a utiahnite.  
**Poznámka:** Ak súprava hadičiek AirSeal a prístupový port nie sú vhodné utiahnuté, údaj o tlaku na pomôcku nemusí odrážať tlak, ktorý pociťuje pacient. Bezpečné pripojenie možno vizuálne potvrdiť, keď sa jedna z bielych lamiel konektora súpravy hadičiek s otvorom zarovná priamo s hornou časťou prístupového portu (obr. 15). Pri pohľade priamo do otvoru prístupového portu, keď je súprava hadičiek pripojená, by mala byť jedna z lamiel na spojovacom diele súpravy hadičiek priamo kolmo na prístupový port (obr. 16).
17. AirSeal sa aktivuje automaticky. Nechajte obturátor na mieste, až kým nezaznie tón a zobrazí sa zelené hlásenie „AirSeal active“ (AirSeal aktívny).
18. Obturátor vyberte z kanyly tak, že stlačíte tlačidlá západky na obturátore, aby sa tieto dve pomôcky odpojili. **Poznámka:** Tupý hrot prístupového portu nemá tlačidlá západky, preto sa dá odstrániť vytiahnutím obturátora priamo z kanyly.
19. Po aktivovaní režimu AirSeal a vytiahnutí obturátora z kanyly AirSeal bude rýchlosť prietoku automatická. **Poznámka:** Stupeň odvádzania dymu je možné zmeniť na nastavenie High (Vysoký) alebo Low (Nízky).
20. Podľa potreby je v tejto chvíli možné umiestniť na kanylu zvukový uzáver (8 mm, 12 mm). (**Poznámka:** Ak používate voľiteľný zvukový uzáver, pri zavádzaní otvoru alebo veľkého zariadenia do kanyly postupujte opatrne. Voľiteľný zvukový uzáver možno z kanyly odstrániť kedykoľvek počas zákroku a je potrebné ho odstrániť pred vložení akýchkoľvek ostrých alebo veľkých predmetov do kanyly.)
21. Po dokončení postupu stlačte tlačidlo STOP na dotykovej obrazovke, čím sa zastaví insuflácia systémom AirSeal (**Poznámka:** Výsledkom bude strata pneumoperitonea). Použite štandardnú laparoskopickú techniku. Odstráňte všetky chirurgické pomôcky a obvyklým spôsobom uzavrite príslušné miesta portov. **Poznámka:** Po dokončení postupu podstúpi režim AirSeal pred vypnutím konečnú kalibráciu. Počas tejto procedúry sa ani tlak nezvyšuje, ani sa neuskutočňuje žiadna insuflácia. Pred odobratím súpravy trojlúmenovej filtračnej hadičky s filtrom z aktívneho uhlia alebo vypnutím systému IFS počkajte na dokončenie konečnej kalibrácie.
22. Páčku na systéme AirSeal IFS uveďte do hornej polohy, čiže do polohy UNLOCK (Odstíť).
23. Súpravu trojlúmenovej filtračnej hadičky s filtrom z aktívneho uhlia vyberte zo vstupu na pripojenie súpravy hadičky v systéme AirSeal IFS.
24. Keďže funkčná skúška sa vykoná počas počiatočného štartu, musí byť prístroj pred každým zákrokom vypnutý/zapnutý.

**V nasledujúcom texte si pozrite ďalšie pokyny týkajúce sa zavedenia prístupového portu s optickým hrotom bez čepele pomocou endoskopu.**

**Poznámka:** Funkcie súvisiace s konkrétnymi revíziami softvéru nájdete v návode na použitie systému IFS.

1. Pripojte endoskop typu 0° k svetelnému zdroju a monitoru podľa pokynov v návode od výrobcu. Overte správne pripojenie endoskopu a zaistíte jasnosť obrazu na monitore.
2. Endoskop vsúvajte do otvoru na proximálnom konci rukoväte prístupového portu s optickým hrotom bez čepele, až kým nedosiahne distálny hrot prístupového portu. (Zavedenie endoskopu, obr. 12).
3. Otočte endoskop podľa potreby. (Zavedenie endoskopu, obr. 13).
4. Jasný obraz na monitore zabezpečte tak, že endoskop vložte do rukoväti prístupového portu s optickým hrotom bez čepele, optickým hrotom sa dotknete vhodného mäkkého povrchu a zoastrite kameru.
5. Pomocou štandardných chirurgických postupov vytvorte rez. (**Poznámka:** Rez musí zodpovedať priemeru kanyly. Nedostatočný rez môže spôsobiť zvýšený odpor pri zasúvaní, čo zvýši potrebnú silu prenikania a môže spôsobiť stratu kontroly počas vstupu.) Zostavu s prístupovým portom zaveďte cez kožný rez otáčavým pohybom, počínajúc otočením o 30° a končiac otočením o 90°. Na rukoväť vyvíjajte neustály, ale regulovaný tlak smerom nadol.
6. Pri vsúvaní prístupového portu sledujte pomocou laparoskopu prienik prístupového portu cez jednotlivé roviny tkanív. V priebehu zasúvania prístupového portu možno vidieť roviny jednotlivých tkanív.
7. Vyberte laparoskop z prístupového portu s optickým hrotom bez čepele (Vytiahnutie endoskopu, obr. 14).
8. Podľa uvedených pokynov pokračujte v zákroku, počínajúc od 13. kroku.

## NÁVOD NA POUŽITIE

### Návod na použitie prístupového portu AirSeal v režime AirSeal pri transanálnych zákrokoch:

**Poznámka:** Funkcie súvisiace s konkrétnymi revíziami softvéru nájdete v návode na použitie systému IFS.

1. Systém AirSeal IFS zapnite stlačením spínača ON/OFF (Zap./Vyp.) (obr. 1, A).
2. Páčka na systéme AirSeal IFS musí byť hore, čiže v polohe UNLOCK (Odistiť) (obr. 1, D).
3. Pred zasunutím súpravy trojlúmenovej filtračnej hadičky počkajte na dokončenie počiatočnej automatickej kontroly.
4. Sterilnú techniku vyberte súpravu trojlúmenovej hadičky z balenia. Nástroj neprekáčajte do sterilného poľa, aby sa nepoškodil.
5. Puzdro filtra súpravy trojlúmenovej hadičky vložte do vstupu na pripojenie súpravy hadičky, ktorý sa nachádza na prednej strane systému AirSeal IFS (obr. 1, C).
6. Zatlacíte páčku nadol do polohy LOCK (Zaistiť) (obr. 9) a automaticky sa aktivuje režim AirSeal.  
**Poznámka:** Ak je aktivovaný pediatrický režim AirSeal, zobrazí sa výzva na výber režimu pre dospelých alebo pediatrického režimu AirSeal. Podrobnosti o pediatrickom režime AirSeal nájdete v návode na použitie systému AirSeal IFS.
7. Na dotykovej obrazovke systému AirSeal IFS overte, či je dostatočná hladina prívodu plynu (obr. 1, B).
8. Zvoľte požadované nastavenia prietoku a tlaku pre daného pacienta. Stlačením tlačidla „Confirm“ (Potvrdiť) potvrdíte nastavenia pacienta.
9. Sterilnú techniku vyberte prístupový port AirSeal a voliteľný zvukový uzáver (8 mm, 12 mm) z balenia. Nástroj neprekáčajte do sterilného poľa, aby sa nepoškodil.
10. Prístupový port AirSeal (obturátor a kanyla) sa balí už zmontovaný, takže nie je potrebné ho zmontovať.  
**Poznámka:** Ak potrebujete zmontovať prístupový port, obturátor vsúvajte do kanyly, kým do seba bezpečne nezapadne.
11. Skontrolujte, či sú obturátor a kanyla riadne zmontované.
12. Pri umiestnení nástroja do rektu pri transanálnom prístupe postupujte podľa návodu na použitie pre zvolené zariadenie podľa výrobcu.
13. Prístupový port zaveďte do platformy zariadenia na transanálny prístup cez príslušný lúmen alebo kanylu. Pri zavádzaní prístupového portu do platformy zariadenia na transanálny prístup používajte krúživý pohyb od 30° do 90°. Vyhýajte neustály, ale regulovaný tlak na prístupový port, kým nebude zaistená v platforme zariadenia na transanálny prístup.
14. Skontrolujte, či sú obturátor a kanyla riadne vsunuté. Teraz nevyťahujte obturátor zo zostavy kanyly.
15. Z bočnej strany kanyly na prístupovom porte AirSeal vyťahujte rozvodnú zástrčku a distálny koniec súpravy trojlúmenovej filtračnej hadičky s filtrom s aktívnym uhlím pripojte na rozvod kanyly a utiahnite.  
**Poznámka:** Ak súprava hadičiek AirSeal a prístupový port nie sú vhodne utiahnuté, údaj o tlaku na pomôcku nemusí odzrážať tlak, ktorý pociťuje pacient. Bezpečné pripojenie možno vizuálne potvrdiť, keď sa jedna z bielych lamiel konektora súpravy hadičiek s otvorom zároveň priamo s hornou časťou prístupového portu (obr. 15). Pri pohľade priamo do otvoru prístupového portu, keď je súprava hadičiek pripojená, by mala byť jedna z lamiel na spojovacom diele súpravy hadičiek priamo kolmo na prístupový port (obr. 16).
16. AirSeal sa aktivuje automaticky. Nechajte obturátor na mieste, až kým nezaznie tón a zobrazí sa zelené hlásenie „AirSeal active“ (AirSeal aktívny).
17. Obturátor vyberte z kanyly tak, že stlačíte tlačidlo západky na obturátore, aby sa tieto dve pomôcky odpojili.
18. Po aktivovaní režimu AirSeal a vyťahnutí obturátora z kanyly AirSeal bude rýchlosť prietoku automatická.  
**Poznámka:** Stupeň odvádzania dymu je možné zmeniť na nastavenie High (Vysoký) alebo Low (Nízky).
19. Páčka potreby je v tejto chvíli možné umiestniť na kanylu zvukový uzáver (8 mm, 12 mm). (**Poznámka:** Ak používate voliteľný zvukový uzáver, pri zavádzaní ostreho alebo veľkého zariadenia do kanyly postupujte opatrne. Voliteľný zvukový uzáver možno z kanyly odstrániť kedykoľvek počas zákroku a je potrebné ho odstrániť pred vložením akéhokoľvek ostreho alebo veľkého predmetu do kanyly.)
20. Po dokončení postupu stlačte tlačidlo STOP na dotykovej obrazovke, čím sa zastaví insuflácia systémom AirSeal (**Poznámka:** Výsledkom bude strata pneumoperitonea). Použite štandardnú laparoskopickú techniku. Odstráňte všetky chirurgické pomôcky a obvyklým spôsobom uzavrite príslušné miesta portov.  
**Poznámka:** Po dokončení postupu podstúpi režim AirSeal pred vypnutím konečnú kalibráciu. Počas tejto procedúry sa ani tlak nezvyšuje, ani sa neuskutočňuje žiadna insuflácia. Pred odobratím súpravy trojlúmenovej filtračnej hadičky s filtrom z aktívneho uhlia alebo vypnutím systému IFS počkajte na dokončenie konečnej kalibrácie.
21. Páčku na systéme AirSeal IFS uveďte do hornej polohy, čiže do polohy UNLOCK (Odistiť).
22. Súpravu trojlúmenovej filtračnej hadičky s filtrom z aktívneho uhlia vyberte zo vstupu na pripojenie súpravy hadičky v systéme AirSeal IFS.
23. Keďže funkčná skúška sa vykoná počas počiatočného štartu, musí byť prístroj pred každým zákrokom vypnutý/zapnutý.

### Všeobecný návod na použitie v režime odvádzania dymu a štandardnej insuflácie:

#### POČIATOČNÁ INSUFLÁCIA S VERESSOVOU IHLOU

**Poznámka:** Funkcie súvisiace s konkrétnymi revíziami softvéru nájdete v návode na použitie systému IFS.

1. Systém AirSeal IFS zapnite stlačením spínača ON/OFF (Zap./Vyp.) (obr. 1, A).
2. Po dokončení automatickej kontroly vyberte na dotykovej obrazovke systému AirSeal IFS v zozname voľby režimu buď režim odsávania dymu, alebo režim štandardnej insuflácie (obr. 1, B).
3. Na dotykovej obrazovke systému AirSeal IFS overte, či je dostatočná hladina prívodu plynu (obr. 1, B).
4. K systému AirSeal IFS pripojte vhodnú súpravu hadičky (pozrite si osobitné pokyny uvedené nižšie, ktoré sa týkajú pripojenia súpravy rozvojenej dym odvádzajúcej hadičky s filtrom z aktívneho uhlia).  
**Poznámka:** Oproti iným súpravám hadičiek sa súprava jedolúmenovej hadičky pripája do pripájacieho portu insuflačnej hadičky na prednej strane systému AirSeal IFS.
5. Konektor Luer Lock na súprave hadičky pripojte obvyklým spôsobom na koniec Veressovej ihly alebo na bežný trokrák. (Pozrite si osobitné pokyny uvedené nižšie, ktoré sa týkajú pripojenia súpravy rozvojenej dym odvádzajúcej hadičky s filtrom z aktívneho uhlia.)
6. Na dotykovej obrazovke systému AirSeal IFS nastavte požadovanú hodnotu prietoku a tlaku. Stlačením tlačidla „Confirm“ (Potvrdiť) potvrdíte nastavenia pacienta.
7. Na dotykovej obrazovke systému AirSeal IFS stlačte tlačidlo Start (Štart), čím sa začne počiatočná insuflácia.
8. Po dosiahnutí počiatočnej insuflácie zaveďte bežný trokrák so štandardnými luerovými portami.
9. Po dokončení postupu stlačte tlačidlo STOP na dotykovej obrazovke, čím sa zastaví insuflácia (**Poznámka:** Výsledkom bude strata pneumoperitonea). Použite štandardnú laparoskopickú techniku. Odstráňte všetky chirurgické pomôcky a obvyklým spôsobom uzavrite príslušné miesta portov.
10. Odpojte súpravu hadičky od systému AirSeal IFS (Pozrite si osobitné pokyny uvedené nižšie, ktoré sa týkajú odpojenia súpravy rozvojenej dym odvádzajúcej hadičky s filtrom z aktívneho uhlia).
11. Keďže funkčná skúška sa vykoná počas počiatočného štartu, musí byť prístroj pred každým zákrokom vypnutý/zapnutý.

### Pozrite si ďalšie pokyny uvedené nižšie, ktoré sa týkajú súpravy rozvojenej dym odvádzajúcej hadičky s filtrom z aktívneho uhlia.

#### Na použitie s dvoma bežnými trokrákmi so štandardnými luerovými portami a súpravou rozvojenej dym odvádzajúcej hadičky s filtrom z aktívneho uhlia.

Priesvitná hadička: Insuflácia

Modrá hadička: Odsávanie dymu

#### Pripojenie súpravy rozvojenej dym odvádzajúcej hadičky s filtrom z aktívneho uhlia

**Poznámka:** Funkcie súvisiace s konkrétnymi revíziami softvéru nájdete v návode na použitie systému IFS.

1. Páčka na systéme AirSeal IFS musí byť hore, čiže v polohe UNLOCK (Odistiť) (obr. 1, D).
2. Puzdro filtra súpravy rozvojenej dym odvádzajúcej hadičky s filtrom z aktívneho uhlia vložte do vstupu na pripojenie súpravy hadičky, ktorý sa nachádza na prednej strane systému AirSeal IFS (obr. 1, C).
3. Zatlacíte páčku nadol do polohy LOCK (Zaistiť).
4. Pripojte Veressovu ihlu k luerovému konektoru na priesvitnej hadičke súpravy rozvojenej dym odvádzajúcej hadičky s filtrom z aktívneho uhlia.
5. Na dotykovej obrazovke systému AirSeal IFS nastavte požadovanú hodnotu prietoku a tlaku. Stlačením tlačidla „confirm“ (Potvrdiť) potvrdíte nastavenia pacienta.
6. Na dotykovej obrazovke systému AirSeal IFS stlačte tlačidlo Start (Štart), čím sa začne počiatočná insuflácia.
7. Skontrolujte, či sú kanyly riadne vsunuté.

8. Odstráňte Veressovu ihlu a odpojte ju od súpravy rozvojenej dym odvádzajúcej hadičky s filtrom z aktívneho uhlia.
9. Pripojte konektor Luer Lock na **PRIESVETNEJ** hadičke súpravy rozvojenej dym odvádzajúcej hadičky s filtrom z aktívneho uhlia k bežnej kanyle. Otvorte prítokový ventil/zátku.
10. Postupujte podľa pokynov na dotykovej obrazovke systému AirSeal iFS. Po zobrazení výzvy pripojte konektor Luer Lock na **MODREJ** hadičke súpravy rozvojenej dym odvádzajúcej hadičky s filtrom z aktívneho uhlia k inej bežnej kanyle. Insuflácia zostane aktívna.
11. Po pripojení konektora Luer Lock na **MODREJ** hadičke súpravy rozvojenej dym odvádzajúcej hadičky s filtrom z aktívneho uhlia k druhej bežnej kanyle sa aktivuje odvádzanie dymu.

**ZÁVAŽNÉ UDALOSTI – Akúkoľvek závažnú udalosť pri používaní tejto pomôcky okamžite nahláste oddeleniu služieb zákazníkom spoločnosti CONMED alebo miestnemu zástupcovi spoločnosti CONMED. E-mail: CustomerExperience@CONMED.com**

**Odstránenie súpravy rozvojenej dym odvádzajúcej hadičky s filtrom z aktívneho uhlia**

**Poznámka: Funkcie súvisiace s konkrétnymi revíziami softvéru nájdete v návode na použitie systému iFS.**

1. Po dokončení postupu stlačte tlačidlo **STOP** na dotykovej obrazovke, čím sa zastaví insuflácia (Poznámka: Výsledkom bude strata pneumoperitonea). Použite štandardnú laparoskopickú techniku. Odstráňte všetky chirurgické pomôcky a obvyklým spôsobom uzavrite príslušné miesta portov.
2. Páčku na systéme AirSeal iFS uveďte do hornej polohy, čiže do polohy UNLOCK (Odištieť).
3. Súpravu rozvojenej dym odvádzajúcej hadičky s filtrom z aktívneho uhlia vyberte zo vstupu na pripojenie súpravy hadičky v systéme AirSeal iFS.
4. Keďže funkčná skúška sa vykoná počas počiatočného štartu, musí byť prístroj pred každým zákrokom vypnutý/zapnutý.

## LIKVIDÁCIA

Pomôcku likvidujte podľa predpisov miestnej nemocnice.

## SPÔSOB DODANIA

Všetky optické prístupové porty AirSeal, nízko profilové prístupové porty AirSeal, voľiteľné zvukové uzávery (8 mm, 12 mm), prístupové porty s tupým hrotom AirSeal, kanyly AirSeal, súpravy rozvojených hadičiek na odvádzanie dymu s filtrom s aktívnym uhlím, súpravy trojlúmenových filtračných hadičiek s filtrom s aktívnym uhlím, súpravy jednolúmenových hadičiek a jednolúmenové adaptéry AirSeal sa dodávajú sterilné, sterilizované gama žiarením, na použitie u jedného pacienta. Po použití zlikvidujte. Prístupové porty AirSeal, zvukové uzávery a súpravy hadičiek nie sú vyrobené z kaučuku (latexu).

Systém AirSeal iFS je nesterilný a môže sa použiť opakovane.

AirSeal® je registrovaná ochranná známka spoločnosti CONMED Corporation.

**Rx ONLY UPOZORNENIE:** Federálne zákony USA obmedzujú predaj tohto zariadenia iba na pokyn alebo objednávku lekára.

## SLOVENIAN

Sistem **AirSeal®** iFS

Dostopna odprtina **AirSeal®**

Dostopne odprtine z optično konico brez rezila, nízko profilno optično konico brez rezila, optično konico brez rezila z ročajem in topo konico

Kompleti filtrirnega cevja **AirSeal®**

Komplet filtrirnega cevja s trojnim lumnom in filtrom z aktivnim ogljem, komplet bifurkatnega cevja za evakuacijo dima s filtrom z aktivnim ogljem, komplet filtrirnega cevja z enojnim lumnom

### Shema: slike in izrazi

<p><b>Sistem AirSeal iFS (slika 1)</b></p> <p>A. Stikalo ON/OFF (Vkllop/izkllop)</p> <p>B. Zaslon na dotik</p> <p>C. Priključek za načina AirSeal in evakuacija dima</p> <p>D. Vzvod za zaklepanje kompleta cevja na mestu</p> <p>E. Priključek za insuflacijsko cevko za način standardne insuflacije</p> <p><b>Dostopni odprtini za instrumente brez rezila (sliki 2/3)</b></p> <p>A. Čep razdelilnika</p> <p>B. Kanila</p> <p>C. Obturator z optično konico brez rezila</p> <p>D. Zapah za kanilo</p> <p><b>Dostopna odprtina za instrumente s topo konico (slika 4)</b></p> <p>A. Čep razdelilnika</p> <p>B. Kanila</p> <p>C. Obturator s topo konico</p> <p>D. Vzmeteno sidro – sidrni pripomoček za zavezovanje suture</p> <p><b>Neobvezni zvočni pokrovec (slika 5)</b></p>	<p><b>Kompleti cevja (slike 6/7/8)</b></p> <p>A. Filter</p> <p>B. Cev 8–10 čevljev (244–305 cm)</p> <p>C. Nastavek Luer Lock</p> <p>D. Adapterski sklop z enojnim lumnom</p> <p>E. Vrtljiva matica</p> <p><b>Način AirSeal (slika 9)</b></p> <p><b>Način evakuacije dima (slika 10)</b></p> <p><b>Način standardne insuflacije (slika 11)</b></p> <p><b>Vstavljanje endoskopa (slika 12)</b></p> <p>A. Dostopna odprtina AirSeal</p> <p>B. Endoskop ustrezne velikosti</p> <p><b>Vstavljanje endoskopa (slika 13)</b></p> <p>A. Vrtenje med vstavljanjem bo zmanjšalo silo ob vstavljanju</p> <p><b>Odstranjevanje endoskopa (slika 14)</b></p> <p>A. Izvlecite endoskop</p> <p>B. Pritisnite tukaj, da sprostite kanilo</p> <p><b>Prikaz zgornjega pogleda na port za dostop AirSeal s pravilno priključitvijo kompleta cevja AirSeal (slika 15)</b></p> <p>A. Rebri središnjega priključka za komplet cevja</p> <p><b>Prikaz sprednjega pogleda na port za dostop AirSeal s pravilno priključitvijo kompleta cevja AirSeal (slika 16)</b></p> <p>A. Rebri središnjega priključka za komplet cevja</p>
--	---

### POMEMBNO! PRED UPORABO IZDELKA POZORNO PREBERITE NASLEDNJE INFORMACIJE.

Ta priručnik je pomoč pri uporabi tega izdelka. Ne uporabljajte se kot referenca za kirurške tehnike. Poleg tega glejte navodila za uporabo sistema AirSeal iFS, kjer so navedena celotna navodila za sistem AirSeal iFS in vse načine delovanja.

### INDIKACIJE ZA UPORABO:

Sistem CONMED AirSeal® iFS je namenjen uporabi pri diagnostičnih in/ali terapevtskih endoskopskih postopkih za razširitev votline s polnjenjem s plinom, ustvarjanje in vzdrževanje poti, zatesnjenje s plinom, za vstop endoskopskih instrumentov brez ovir ter evakuacijo kirurškega dima. Namenjen je uporabi pri abdominalnih, torakalnih in pediatričnih posegih, pri katerih je želena insuflacija, ki omogoča uporabo različnih torakoskopskih in laparoskopskih instrumentov s polnjenjem abdominalne ali torakalne votline s plinom, ki jo razširi, ustvarjanjem in vzdrževanjem s plinom zatesnjene poti za instrumente brez ovir ter evakuacijo kirurškega dima. Ta instrument se lahko uporablja tudi za insuflacijo rektuma in kolona pri endoskopskem pregledovanju, diagnosticiranju in zdravljenju. Troakar sistema AirSeal® iFS je namenjen uporabi z vizualizacijo ali brez nje.

Sistem AirSeal iFS ima tri načine delovanja:

1. Način AirSeal (slika 9)
2. Način evakuacije dima (slika 10)
3. Način standardne insuflacije (slika 11)

### Način AirSeal:

Kadar se sistem AirSeal iFS uporablja v načinu AirSeal, je namenjen dovajanju plina CO<sub>2</sub> ob stabilnem pnevmoperitoneju in stalni evakuaciji dima med laparoskopskim kirurškim posegom ter zahteva uporabo sistema AirSeal, dostopne odprtine AirSeal in kompleta filtrirnega cevja s trojnim lumnom in filtrom z aktivnim ogljem.

Komplet filtrirnega cevja s trojnim lumnom in filtrom z aktivnim ogljem se uporablja za priključitev dostopne odprtine AirSeal na sistem AirSeal iFS (slika 9).

### **Način evakuacije dima:**

Kadar se sistem AirSeal IFS uporablja v načinu evakuacije dima, je namenjen dovajanju plina CO<sub>2</sub> ob stalni evakuaciji dima med laparoskopskim kirurškim posegom ter zahteva uporabo sistema AirSeal, dveh konvencionalnih troakarjev (ki nista znamke AirSeal) s standardnimi odprtini Luer in kompleta bifurkatnega cevja za evakuacijo dima s filtrom z aktivnim ogljem. Dva konvencionalna troakarja se uporabljata za priključitev kompleta bifurkatnega cevja za evakuacijo dima s filtrom z aktivnim ogljem, ki omogoča dovajanje plina CO<sub>2</sub> po poti evakuacije dima. Komplet bifurkatnega cevja za evakuacijo dima s filtrom z aktivnim ogljem je razcepljen na dvoje in priključi dva konvencionalna troakarja na sistem AirSeal IFS (slika 10).

### **Način standardne insuflacije:**

Kadar se sistem AirSeal IFS uporablja v načinu standardne insuflacije, je namenjen dovajanju plina CO<sub>2</sub> in standardni insuflaciji med laparoskopskim kirurškim posegom v enaki obliki kot konvencionalni insuflacijski pripomočki ter zahteva uporabo sistema AirSeal, enega konvencionalnega troakarja (ki ni znamke AirSeal) s standardno odprtino Luer in kompleta filtrirnega cevja z enojnim lumnom. Na odprtino Luer na troakarju se priključi komplet filtrirnega cevja z enojnim lumnom, kar omogoča standardno insuflacijo in dovajanje plina CO<sub>2</sub> s kompletom filtrirnega cevja z enim lumnom se en konvencionalni troakar priključi na sistem AirSeal IFS (slika 11).

### **Dostopna odprtina AirSeal ima dve razpoložljivi konfiguraciji:**

1. Dostopna odprtina z optično konico brez rezila (slika 2 in 3)
2. Dostopna odprtina za instrumente s topo konico (slika 4)

Če se dostopne odprtine z optično konico brez rezila uporabljajo kot primarna vstopna točka, se za vizualizacijo priporoča uporaba laparoscopa, kar poveča varnost ob vstopanju v trebušno votlino.

### **Kompleti cevja AirSeal imajo tri razpoložljive konfiguracije:**

1. Komplet filtrirnega cevja s trojnim lumnom in filtrom z aktivnim ogljem (slika 6)
2. Komplet bifurkatnega cevja za evakuacijo dima s filtrom z aktivnim ogljem (slika 7)
3. Komplet filtrirnega cevja z enojnim lumnom (slika 8)

Zagotovite, da se na osnovi načina, izbranega na sistemu AirSeal IFS, uporablja ustrezen komplet cevja. Če vstavite napačen komplet cevja, se bo izbrani način AirSeal IFS prekinil in pojavilo se bo opozorilno sporočilo.

Kompleti filtrirnega cevja niso zasnovani kot pot tekočine. Če v filter vstopi tekočina, se bo na zaslonu na dotik na sistemu AirSeal IFS prikazalo opozorilno sporočilo. Če se to zgodi, preverite položaj kanile in se pripravite na zamenjavo kompleta cevja.

### **OPOZORILA:**

- Neupoštevanje navodil za uporabo lahko privede do resnih kirurških posledic.
- Komponente sistema AirSeal smejo uporabljati samo kvalificirani zdravniki z znanjem, izkušnjami in usposobljenosti, povezanimi z laparoskopskimi tehnikami.
- Ta navodila za uporabo ne vsebujejo opisov ali navodil za kirurške tehnike ali laparoskopske posege. Za izvajanje kakršnega koli postopka za določanje ustreznosti vrste posega, ki se bo izvedel z uporabo teh izdelkov, in določanje ustrezne tehnike za vsakega bolnika je odgovoren zdravnik, ki bo izvedel poseg.
- Komponente, priložene sistemu AirSeal, so sterilne samo, če se uporabijo pred iztekom roka uporabnosti in je ovojnina zaprta ter nepoškodovana. NE uporabite po izteku roka uporabnosti ali če je ovojnina odprta ali poškodovana.
- Vsi pripomočki sistema AirSeal (dostopne odprtine in kompleti cevja) za enkratno uporabo so pakirani in sterilizirani samo za uporabo pri enem bolniku. NE uporabite, ne obdelajte in ne sterilizirajte znova. Ponovna uporaba, obdelava ali ponovna sterilizacija lahko ogrozi strukturno neoporečnost pripomočka in/ali povzroči odpoved pripomočka, kar lahko privede do poškodbe, boleznih ali smrti bolnika. Ponovna obdelava ali sterilizacija pripomočkov za enkratno uporabo lahko prav tako ustvari tveganje kontaminacije in/ali okužbe bolnikov ali navzkrižno okužbo, kar med drugim vključuje prenos kužne(-ih) bolezni med bolniki. Kontaminacija pripomočka lahko povzroči poškodbe, bolezen ali smrt bolnika.
- Konice kanile ne potopite v izpiralne ali telesne tekočine.
- Če so hladilni zračniki na straneh ali dnu kontrolne konzole blokirani, se bo oglasil alarm sistema AirSeal IFS. Če se oglasil alarm, preverite, ali je na hladilnih zračnikih prisotna kakršna koli blokada.
- Če NISO prisotni zgoraj opisani pogoji in je še vedno slišen alarm, prekinite uporabo sistema AirSeal IFS in ga vrnite proizvajalcu, ki bo opravil servisiranje.

### **PREVIDNOSTNI UKREPI:**

- Ustvarjanje pnevmoperitoneja ima znane fiziološke neželene učinke, vključno z zmanjšanim vračanjem venske krvi, zmanjšanim srčnim iztisom, zmanjšanim ledvičnim delovanjem, povečanim intrakranialnim tlakom, povečanim uporom v dihalih in zmanjšano pljučno complianco.
- Minimalno invazivne posege smejo izvajati samo osebe, ustrezno usposobljene, seznanjene in pristojne za izvajanje minimalno invazivnih tehnik. Pred izvedbo minimalno invazivnega posega si ogledite medicinsko literaturo, ki vsebuje tehnike, zaplete in varnosti.
- Za preprečevanje električnega udara in opeklin pri bolniku in zdravstvenemu osebju ter poškodb pripomočka ali drugih medicinskih instrumentov je potrebno temeljito razumevanje načel in tehnik laserskih, elektrokirurških ter ultrazvočnih posegov. Zagotovite, da električna izolacija in ozemljenje nista ogroženi.
- Pri naslednjih pogojih obstaja možnost tvorbe zračnih mehurčkov:
  - Močan pritisk na zunanji del abdomna
  - Močno in dolgotrajno puščanje skozi druge nameščene konvencionalne odprtine ali odprto incizijo
  - Močno in dolgotrajno izsesavanje
- Pri zgoraj opisanih pogojih je zamenjava insuflacijskega plina z zrakom začasna in ujet zrak se bo zamenjal s CO<sub>2</sub>.
- Pri kolorektalnih posegih je priporočljivo, da se ne preseže insuflacijski tlak > 15 mmHg.
- Višji tlak (> 15 mmHg) insuflacije z ogljikovim dioksidom lahko poveča tveganje hiperkarbije, podkožnega emfizema, pnevmomediastinuma, pnevmotoraksa, pnevmoskrotuma in retencije urina.
- Če uporabljate neobvezni zvočni pokrovček (8 mm, 12 mm):
  - Pred uporabo preglejte peno in tesnilo zvočnega pokrovčka.
  - Po uporabi preglejte zvočni pokrovček in se prepričajte, da na njem ni fizične poškodbe.
- Med vstavljanjem dostopne odprtine AirSeal bodite izjemno previdni. Nepravilna uporaba tega izdelka lahko povzroči smrtno nevarno poškodbo notranjih organov in žil.
  - Zagotovite, da je vzpostavljen zadostni pnevmoperitonej ali pnevmorekum.
  - Zagotovite, da je bolnik pravilno nameščen, tako da organi niso na mestu penetracije.
  - Konico dostopne odprtine AirSeal usmerite stran od pomembnih žil in organov.
  - Pazite, da je zunanja stena porta za dostop AirSeal v stiku le s tkivom in da ni ujeta med trdimi površinami, kot so drugi instrumenti ali kosti, poleg tega pa tudi ne trka s trdimi površinami. Dolgotrajen ali nenaden stik s trdimi površinami lahko povzroči poškodbe ali zlom porta za dostop.
  - Navzdol ne pritiskajte s čezmerno silo.
- Skozi port za dostop AirSeal smete vstavljati samo kirurške ročne instrumente. V port za dostop AirSeal NE vstavljajte troakarjev ali robotskih instrumentov. Nepravilna uporaba lahko poškoduje ali zlomi port za dostop.
- Značilnosti zasnovane dostopne odprtine z optično konico brez rezila so namenjene zmanjševanju verjetnosti poškodbe spodnjih anatomskih struktur ob penetraciji. Vendar je treba pri vseh takih vstavitvah upoštevati standardne previdnostne ukrepe.
- Čeprav dostopna odprtina z optično konico brez rezila vključuje konico »brez rezila«, morate biti tako kot pri vseh takih pripomočkih previdni, da preprečite poškodbo glavnih žil in drugih anatomskih struktur (kot je črevesje ali mezenterij). Da zmanjšate tveganje take poškodbe, zagotovite, da:
  - vzpostavite zadosten pnevmoperitonej ali pnevmorekum;
  - pravilno namestite bolnika, da organi niso izpostavljeni območju penetracije;
  - ste pozorni na pomembne anatomske strukture;
  - konico dostopne odprtine AirSeal usmerite stran od glavnih žil in struktur;
  - ne pritiskate s čezmerno ali nenadzorovano silo;
  - uporabite optično vstopno tehniko, če je to mogoče.
- Ko vzpostavite delen vstop, je za popoln vstop potrebna zelo majhna sila. Čezmerna sila lahko povzroči poškodbo spodnjih anatomskih struktur.

- Ko vzpostavite pravičen endoskopski vstop dostopne odprtine z optično konico brez rezila, je ne smete še naprej potiskati naprej. To lahko povzroči poškodbo spodnjih anatomskih struktur.
- Ko dosežete varen in pravičen vstop, se prepričajte, da je v votlini vedno vidna črna črta na distalni konici dostopne odprtine AirSeal, ko se dostopna odprtina AirSeal uporablja za insulzacijo.
- Ne poskušajte s sekundarnimi punkcijami s troakarjem, dokler ne vzpostavite primarnega mesta in priporočenega intraabdominalnega tlaka (običajno 12–18 mmHg).
- Po odstranitvi kanile iz votline mesto vedno pregledite in se prepričajte, da je vzpostavljena hemostaza. Če ni hemostaze, jo vzpostavite z ustreznimi tehnikami.
- Komplet filtrirnega cevja s trojnim lumnom in filtrom z aktivnim ogljem in komplet bifurkatnega cevja za evakuacijo dima s filtrom z aktivnim ogljem sta opremljena s senzorji tekočine, ki spremljajo raven tekočine v filtrih in uporabnike opozarjajo na morebitno kontaminacijo pripomočka. Če je lovnik tekočine na ohišju filtra napolnjen do ravni tekočine **Low** (Nizka), se na zaslonu na dotik prikaže opozorilno sporočilo in sproži zvočni signal. Preveriti je treba namestitve kanile in cevja, da se prepričate, da v filter ne vstopa tekočina. Na tej točki obturator ponovno vstavite v dostopno odprtino AirSeal in zamenjajte komplet filtrirnega cevja.
- Instrumenti ali pripomočki, ki pridejo v stik s telesnimi tekočinami, bodo morda zahtevali posebno ravnanje pri odstranjevanju, da se prepreči biološka kontaminacija.

#### KONTRAINDIKACIJE

Ta sistem AirSeal IFS je kontraindiciran za uporabo, kadar so kontraindicirane minimalno invazivne endoskopske tehnike.

**POMEMBNO:** Ta priročnik vsebuje navodila za uporabo. Ni referenca ali smernica za tehnike vstavljanja troakarja. Uspešna uporaba troakarja z optično konico brez rezila kot primarne odprtine po insulaciji je odvisna od prepoznave in ločevanja plasti tkiva. Zato naj novi uporabniki troakarje z optično konico uporabljajo kot sekundarno odprtino po insulaciji, da pridobijo izkušnje in usposobljenost glede vizualizacije plasti tkiva. Šele ko oseba pridobi izkušnje z zgornjo tehniko, lahko začne troakarje z optično konico uporabljati kot primarne odprtine po insulaciji.

**Opomba:** Vizualno preverite, ali so sistemi sterilnih pregrad strukturno okrnjeni, kar lahko vpliva na sterilnost pred aseptično uporabo. Ne uporabite, če ugotovite kakršne koli posege v sistem sterilne pregrade.

#### NAVODILA ZA UPORABO

##### Splošna navodila za uporabo dostopne odprtine AirSeal v načinu AirSeal:

**Opomba:** Za funkcije, povezane z določenimi revizijami programske opreme, glejte navodila za uporabo sistema IFS.

1. Vključite sistem AirSeal IFS, tako da pritisnete stikalo ON/OFF (Vkllop/izkllop) (slika 1, A).
  2. Vzvod na sistemu AirSeal IFS mora biti v zgornjem položaju ali položaju UNLOCK (Odključeno) (slika 1, D).
  3. Počakajte, da se izvede uvodno samopreverjanje, preden vstavite komplet filtrirnega cevja s trojnim lumnom.
  4. S sterilno tehniko odstranite komplet cevja s trojnim lumnom iz ovojnine. Da preprečite poškodbo, pripomočka ne vrzite na sterilno polje.
  5. Ohišje filtra kompleta cevja s trojnim lumnom vstavite v priključek za komplet cevja na sprednjem delu sistema AirSeal IFS (slika 1, C).
  6. Vzvod potisnite navzdol v položaj LOCK (Zaklenjeno) (slika 9); samodejno se bo zagnal način AirSeal.
- Opomba:** Če je aktiviran pediatrični način AirSeal, vas bo sistem pozval, da izberete odrasli ali pediatrični način AirSeal. Za podrobnosti o načinu Pediatric AirSeal mode (pediatrični način AirSeal) glejte navodila za uporabo sistema AirSeal IFS.
7. Na zaslonu sistema AirSeal IFS na dotik preverite, ali je raven oskrbe s plinom zadostna (slika 1, B).
  8. Izberite želeni nastavitvi pretoka in tlaka za bolnika. Pritisnite »Confirm« (Potrdi), da potrdite bolnikove nastavitve.

**Za vstop z Veressovo iglo prek dostopne odprtine z optično konico brez rezila glejte spodnja dodatna navodila. Ta tehnika se ne uporablja za vstop v abdomen s topo konico (Hassonova tehnika). Če ne uporabite tehnike vstopa z Veressovo iglo, nadaljujte s korakom 9.**

- Adapter z enojnim lumnom je vnaprej priključen na komplet filtrirnega cevja s trojnim lumnom in filtrom z aktivnim ogljem.
- Adapter z enojnim lumnom priključite na odprtino Luer na Veressovi igli in ga vstavite skladno z navodili proizvajalca.
- Na zaslonu sistema AirSeal IFS na dotik nastavite želen pretok in tlak.
- Na zaslonu sistema AirSeal IFS na dotik pritisnite »Start« (Zaženi) in začela se bo prvotna insulacija.
- Ko je prvotna insulacija dosežena, odklopite komplet filtrirnega cevja s trojnim lumnom in filtrom z aktivnim ogljem z adapterja z enojnim lumnom.
- Odstranite Veressovo iglo.

**Če dostopna odprtina AirSeal ni prvi troakar, ki ga je treba namestiti, pustite adapter z enojnim lumnom priključen na komplet filtrirnega cevja s trojnim lumnom in filtrom z aktivnim ogljem in pomaknite adapter z enojnim lumnom na odprtino Luer prvega nameščenega konvencionalnega troakarja. Adapter z enojnim lumnom odstranite šele, ko vstavite dostopno odprtino AirSeal.**

9. S sterilno tehniko odstranite dostopno odprtino AirSeal in neobvezen zvočni pokrovček (8 mm, 12 mm) iz ovojnine. Da preprečite poškodbo, pripomočka ne vrzite na sterilno polje.
10. Dostopna odprtina AirSeal (obturator in kanila) je ob dobavi vnaprej sestavljena, zato je ni treba sestaviti. Opomba: Če je treba dostopno odprtino sestaviti, vstavite obturator v kanilo in potiskajte, dokler se popolnoma ne sklopita.
11. Prepričajte se, da sta obturator in kanila pravilno sestavljena. **Opomba:** Če uporabljate dostopno odprtino s topo konico, se prepričajte, da je nameščeno tudi vzmetno sidro (slika 4, D).
12. S standardnimi kirurškimi postopki ustvarite incizijo. (Opomba: incizija mora biti dovolj velika za premer kanile. Pri nezadostni inciziji lahko pride do povečanega upora ob vstavljanju, kar poveča silo penetracije in lahko povzroči izgubo nadzora med vstopanjem.)

**Sestavljena dostopna odprtina je pripravljena na vstavitve. Če uporabljate dostopno odprtino s topo konico, uporabite ustrezno laparoskopsko (Hassonovo) tehniko.**

13. Sklop dostopne odprtine uvedite skozi kožno incizijo z vrtenjem pod kotom od 30° do 90°. Ročaj stalno in nadzorovano pritisčajte navzdol.
  14. Prepričajte se, da je dostopna odprtina pravilno vstavljena. Na tej točki še ne odstranite obturatorja iz kanile. **Opomba:** Če uporabljate dostopno odprtino s topo konico, je treba na običajen način vzmetno sidro s suturo namestiti na bolnikov trebuh.
  15. Prepričajte se, da je v votlini vedno vidna črna črta na distalni konici dostopne odprtine AirSeal, ko se dostopna odprtina AirSeal uporablja za insulacijo.
  16. S strani porta za dostop AirSeal, kjer je kanila, odstranite čep razdelilnika, nato pa distalni konec kompleta filtrirnega cevja s trojnim lumnom in filtrom z aktivnim ogljem priključite na razdelilnik kanile ter ga privijte.
- Opomba:** Če komplet cevja AirSeal in port za dostop nista ustrezno zategnjena, odčitek tlaka na pripomočku morda ne bo enak dejanskemu bolnikovemu tlaku. Pravilnost priključitve lahko vizualno potrdite tako, da preverite, ali je ena od belih ploskev na središčnem priključku kompleta cevja neposredno poravnana z zgornjim delom porta za dostop (slika 15). Če pri priključenem kompletu cevja pogledate naravnost v središče porta za dostop, mora biti endo reber na priključnem delu kompleta cevi neposredno navpično na portom za dostop (slika 16).
  17. Pripomoček AirSeal se bo aktiviral samodejno. Obturator pustite na mestu, dokler se zaslišite zvočnega signala in se ne prikaže zeleno sporočilo »AirSeal active« (Pripomoček AirSeal aktiven).
  18. Obturator odstranite s kanile, tako da stisnete gumba zapaha za obturator in odklenete oba pripomočka. **Opomba:** Dostopna odprtina s topo konico nima gumbov zapaha, zato jo je mogoče odstraniti tako, da obturator povlečete naravnost ven iz kanile.
  19. Ko je aktiven način AirSeal in je obturator odstranjen iz kanile AirSeal, bo hitrost pretoka samodejna. **Opomba:** Stopnja evakuacije dima se lahko nastavi na High (Visoka) ali Low (Nizka).
  20. Po potrebi lahko na tej točki na kanilo namestite zvočni pokrovček (8 mm, 12 mm). (**Opomba:** Če uporabljate neobvezni zvočni pokrovček, bodite previdni pri vstavljanju ostrega ali velikega pripomočka skozi kanilo. Izbirni zvočni pokrovček lahko s kanile odstranite kadar koli med posegom, obvezno pa ga morate odstraniti, preden v kanilo vstavite kakršne koli ostre ali velike predmete.)

21. Ko končate poseg, na zaslonu na dotik pritisnite **STOP** (Zaustavi), da zaustavite insuflacijo AirSeal (**Opomba:** to bo povzročilo izgubo pnevmoperitoneja). S standardno laparoskopsko tehniko odstranite vse kirurške pripomočke in zaprite ustrezna mesta odprtih na običajen način. **Opomba:** Ko je postopek končan, bo način AirSeal pred zaustavitvijo opravil končno kalibracijo. Med tem postopkom se ne ustvari noben pritisk in ne izvede insuflacija. Pred odstranitvijo kompleta filtrirnega cevja s trojnim lumnom in filtrom z aktivnim ogljem ali izklopa sistema iFS počakajte, da se zaključijo končna kalibracija.
22. Vzvod na sistemu AirSeal iFS premaknite v zgornji položaj ali položaj UNLOCK (Odklenjeno).
23. Komplet filtrirnega cevja s trojnim lumnom in filtrom z aktivnim ogljem odstranite s priključka za komplet cevja na sistemu AirSeal iFS.
24. Ker se preskus funkcij izvede med uvodnim zagonom, je treba enoto vklopiti/izklopiti pred vsakim kirurškim posegom.

#### **Za vstavljanje dostopne odprtine z optično konico brez rezila z uporabo endoskopa glejte spodnja dodatna navodila.**

**Opomba: Za funkcije, povezane z določenimi revizijami programske opreme, glejte navodila za uporabo sistema iFS.**

1. Endoskop 0° priključite na svetlobni vir in ga spremljajte, kot je navedeno v navodilih proizvajalca. Preverite ustrezno priključitev endoskopa in zagotovite jasnost slike na monitorju.
2. Endoskop vstavljajte v odprtino na proksimalnem koncu ročaja dostopne odprtine z optično konico brez rezila, dokler ne doseže distalne konice dostopne odprtine. (Vstavljanje endoskopa, slika 12)
3. Endoskop po potrebi vrtite. (Vstavljanje endoskopa, slika 13)
4. Da na monitorju prikazete jasno sliko, vstavite endoskop v dostopno odprtino z optično konico brez rezila, se z optično konico dotaknite ustrezne mehke površine in izostrite kamero.
5. S standardnimi kirurškimi postopki ustvarite incizijo. (**Opomba:** incizija mora biti dovolj velika za premer kanile. Pri nezadostni inciziji lahko pride do povečanega upora ob vstavljanju, kar poveča silo penetracije in lahko povzroči izgubo nadzora med vstopanjem.) Sklop dostopne odprtine uvedite skozi kožno incizijo z vrtenjem pod kotom od 30° do 90°. Ročaj stalno in nadzorovano pritisčajte navzdol.
6. Med vstavljanjem dostopne odprtine si njeno penetracijo skozi posamezne plasti tkiva ogledujte z uporabo laparoeskopa. Posamezne plasti tkiva je mogoče videti ob napredovanju dostopne odprtine.
7. Laparoeskop odstranite z dostopne odprtine z optično konico brez rezila (odstranjevanje endoskopa, slika 14).
8. Postopek nadaljujte skladno z zgornjimi navodili, pri čemer začnete s korakom 13.

#### **NAVODILA ZA UPORABO**

##### **Navodila za transanalno uporabo dostopne odprtine AirSeal v načinu AirSeal:**

**Opomba: Za funkcije, povezane z določenimi revizijami programske opreme, glejte navodila za uporabo sistema iFS.**

1. Vklopite sistem AirSeal iFS, tako da pritisnete stikalo ON/OFF (Vklop/izklop) (slika 1, A).
2. Vzvod na sistemu AirSeal iFS mora biti v zgornjem položaju ali položaju UNLOCK (Odklenjeno) (slika 1, D).
3. Počakajte, da se izvede uvodno samopreverjanje, preden vstavite komplet filtrirnega cevja s trojnim lumnom.
4. S sterilno tehniko odstranite komplet cevja s trojnim lumnom iz ovojnine. Da preprečite poškodbo, pripomočka ne vrzite na sterilno polje.
5. Ohišje filtra kompleta cevja s trojnim lumnom vstavite v priključek za komplet cevja na sprednjem delu sistema AirSeal iFS (slika 1, C).
6. Vzvod potisnite navzdol v položaj LOCK (Zaklenjeno) (slika 9); samodejno se bo zagnal način AirSeal.
- Opomba:** Če je aktiviran pediatrični način AirSeal, vas bo sistem pozval, da izberete odrasli ali pediatrični način AirSeal. Za podrobnosti o načinu Pediatric AirSeal mode (pediatrični način AirSeal) glejte navodila za uporabo sistema AirSeal iFS.
7. Na zaslonu sistema AirSeal iFS na dotik preverite, ali je raven oskrbe s plinom zadostna (slika 1, B).
8. Izberite zeleni nastavitvi pretoka in tlaka za bolnika. Pritisnite »Confirm« (Potrdi), da potrdite bolnikove nastavitve.
9. S sterilno tehniko odstranite dostopno odprtino AirSeal in neobvezni zvočni pokrovček (8 mm, 12 mm) iz ovojnine. Da preprečite poškodbo, pripomočka ne vrzite na sterilno polje.
10. Dostopna odprtina AirSeal (obturator in kanila) je ob dobavi vnaprej sestavljena, zato je ni treba sestaviti.
- Opomba:** Če je treba dostopno odprtino sestaviti, vstavite obturator v kanilo in potiskajte, dokler se popolnoma ne sklopta.
11. Prepričajte se, da sta obturator in kanila pravilno sestavljena.
12. Pri namestitvi v rektum upoštevajte navodila proizvajalca izbrane platforme za transanalni dostop.
13. Dostopno odprtino v platformo za transanalni dostop vstavite skozi ustrezen položaj lumna ali kanile. Pri vstavljanju dostopne odprtine v platformo za transanalni dostop jo vrtite pod kotom od 30° do 90°. Stalno in nadzorovano aksialno pritisčajte na dostopno odprtino, dokler ni stabilno nameščena v platformi za transanalni dostop.
14. Prepričajte se, da sta obturator in kanila pravilno vstavljena. Na tej točki še ne odstranite obturatorja iz sklopa kanile.
15. S strani porta za dostop AirSeal, kjer je kanila, odstranite čep razdelilnika, nato pa distalni konec kompleta filtrirnega cevja s trojnim lumnom in filtrom z aktivnim ogljem priključite na razdelilnik kanile ter ga priprite.
- Opomba:** Če komplet cevja AirSeal in port za dostop nista ustrezno zategnjena, odčitek tlaka na pripomočku morda ne bo enak dejanskemu bolnikovemu tlaku. Pravilnost priključitve lahko vizualno potrdite tako, da preverite, ali je ena od belih ploskev na središčnem priključku kompleta cevja neposredno poravnana z zgornjim delom porta za dostop (slika 15). Če pri priključenem kompletu cevja pogledate naravnost v središče porta za dostop, mora biti eno od reber na priključnem delu kompleta cevi neposredno navpično na portom za dostop (slika 16).
16. Pripomoček AirSeal se bo aktiviral samodejno. Obturator pustite na mestu, dokler se zasilni zvočni signal in se ne prikaže zeleno sporočilo »AirSeal active« (Pripomoček AirSeal aktiven).
17. Obturator odstranite s kanile, tako da stisnete gumba zapaha za obturator in odklenete oba pripomočka.
18. Ko je aktiven način AirSeal in je obturator odstranjen iz kanile AirSeal, bo hitrost pretoka samodejna.
- Opomba:** Stopnja evakuacije dima se lahko nastavi na High (Visoka) ali Low (Nizka).
19. Po potrebi lahko na tej točki na kanilo namestite zvočni pokrovček (8 mm, 12 mm). (**Opomba:** Če uporabljate neobvezni zvočni pokrovček, bodite previdni pri vstavljanju ostrega ali velikega pripomočka skozi kanilo. Izbrini zvočni pokrovček lahko s kanile odstranite kadar koli med posegom, obvezno pa ga morate odstraniti, preden v kanilo vstavite kakršen koli ostri predmet.)
20. Ko končate poseg, na zaslonu na dotik pritisnite **STOP** (Zaustavi), da zaustavite insuflacijo AirSeal (**Opomba:** to bo povzročilo izgubo pnevmoperitoneja). S standardno laparoskopsko tehniko odstranite vse kirurške pripomočke in zaprite ustrezna mesta odprtih na običajen način.
- Opomba:** Ko je postopek končan, bo način AirSeal pred zaustavitvijo opravil končno kalibracijo. Med tem postopkom se ne ustvari noben pritisk in ne izvede insuflacija. Pred odstranitvijo kompleta filtrirnega cevja s trojnim lumnom in filtrom z aktivnim ogljem ali izklopa sistema iFS počakajte, da se zaključijo končna kalibracija.
21. Vzvod na sistemu AirSeal iFS premaknite v zgornji položaj ali položaj UNLOCK (Odklenjeno).
22. Komplet filtrirnega cevja s trojnim lumnom in filtrom z aktivnim ogljem odstranite s priključka za komplet cevja na sistemu AirSeal iFS.
23. Ker se preskus funkcij izvede med uvodnim zagonom, je treba enoto vklopiti/izklopiti pred vsakim kirurškim posegom.

#### **Splošna navodila za uporabo v načinih evakuacije dima in standardne insuflacije:**

##### **PRVOTNA INSUFILACIJA Z VERESSOVO IGLO**

**Opomba: Za funkcije, povezane z določenimi revizijami programske opreme, glejte navodila za uporabo sistema iFS.**

1. Vklopite sistem AirSeal iFS, tako da pritisnete stikalo ON/OFF (Vklop/izklop) (slika 1, A).
2. Na koncu diagnostičnega samopreverjanja na zaslonu na dotik izberite način evakuacije dima ali način standardne insuflacije, ki sta na izbirnem seznamu za način na sistemu AirSeal iFS (slika 1, B).
3. Na zaslonu sistema AirSeal iFS na dotik preverite, ali je raven oskrbe s plinom zadostna (slika 1, B).
4. Na sistem AirSeal iFS priključite ustrezen komplet cevja (za priključitev kompleta bifurkatnega cevja za evakuacijo dima s filtrom z aktivnim ogljem glejte spodnja podrobna navodila).
- Opomba:** V nasprotju z drugimi kompleti cevja se komplet cevja z enojnim lumnom priključi na priključno mesto za insuflacijsko cevko na sprednjem delu sistema AirSeal iFS.
5. Priključek kompleta cevja Luer lock na običajni način priključite na konec Veressove igle ali konvencionalni troakar. (Za priključitev kompleta bifurkatnega cevja za evakuacijo dima s filtrom z aktivnim ogljem glejte spodnja podrobna navodila.)
6. Na zaslonu sistema AirSeal iFS na dotik nastavite zelen pretok in tlak. Pritisnite »Confirm« (Potrdi), da potrdite bolnikove nastavitve.

- Na zaslonu sistema AirSeal IFS na dotik pritisnite »Start« (Zaženi) in začela se bo prvotna insuflacija.
- Ko dosežete prvotno insuflacijo, **vstavite konvencionalni troakar s standardnimi odprtini Luer.**
- Ko končate poseg, na zaslonu na dotik pritisnite **STOP** (Zaustavi), da zaustavite insuflacijo (**Opomba:** to bo povzročilo izgubo pnevmoperitoneja). S standardno laparoskopsko tehniko odstranite vse kirurške pripomočke in zaprite ustrezna mesta odprtin na običajen način.
- Komplet cevja odstranite s sistema AirSeal IFS (za odstranitev kompleta bifurkatnega cevja za evakuacijo dima s filtrom z aktivnim ogljem glejte spodnja podrobna navodila).
- Ker se preskus funkcij izvede med uvodnim zagonom, je treba enoto vklopiti/izklopiti pred vsakim kirurškim posegom.

**Za komplet bifurkatnega cevja za evakuacijo dima s filtrom z aktivnim ogljem glejte spodnja dodatna navodila.**

**Za uporabo z dvema konvencionalnima troakarjema s standardnimi odprtinami Luer in kompletom bifurkatnega cevja za evakuacijo dima s filtrom z aktivnim ogljem.**

Prozorna cevka: insuflacija

Modra cevka: evakuacija dima

Priključitev kompleta bifurkatnega cevja za evakuacijo dima s filtrom z aktivnim ogljem

**Opomba: Za funkcije, povezane z določenimi revizijami programske opreme, glejte navodila za uporabo sistema IFS.**

- Vzvod na sistemu AirSeal IFS mora biti v zgornjem položaju ali položaju UNLOCK (Odklenjeno) (slika 1, D).
- Ohišje filtra kompleta bifurkatnega cevja za evakuacijo dima s filtrom z aktivnim ogljem vstavite v priključek za komplet cevja na srednjem delu sistema AirSeal IFS (slika 1, C).
- Vzvod potisnite navzdol v položaj LOCK (Zaklenjeno).
- Veresovo iglo priključite na nastavek Luer lock na prozorni cevki kompleta bifurkatnega cevja za evakuacijo dima s filtrom z aktivnim ogljem.
- Na zaslonu sistema AirSeal IFS na dotik nastavite želen pretok in tlak. Pritisnite »Confirm« (Potrdi), da potrdite bolnikove nastavitve.
- Na zaslonu sistema AirSeal IFS na dotik se dotaknite »Start« (Zaženi) in začela se bo prvotna insuflacija.
- Prepričajte se, da so kanile pravilno vstavljene.
- Odstranite Veresovo iglo in jo odklopite s kompleta bifurkatnega cevja za evakuacijo dima s filtrom z aktivnim ogljem.
- Nastavek Luer lock na **PROZORNI** cevki kompleta bifurkatnega cevja za evakuacijo dima s filtrom z aktivnim ogljem priključite na konvencionalno kanilo. Odprite ventil/pipo za vhodni pretok.
- Sledite pozivom na zaslonu na dotik AirSeal IFS. Ko dobite navodilo, nastavek Luer lock na **MODRI** cevki kompleta bifurkatnega cevja za evakuacijo dima s filtrom z aktivnim ogljem priključite na drugo konvencionalno kanilo. Insuflacija ostane aktivna.
- Ko je nastavek Luer lock na **MODRI** cevki kompleta bifurkatnega cevja za evakuacijo dima s filtrom z aktivnim ogljem priključen na drugo konvencionalno kanilo, se aktivira evakuacija dima.

RESNI ZAPLETI – o vseh resnih zapletih pri uporabi tega pripomočka takoj obvestite oddelek za pomoč strankam družbe CONMED ali lokalnega predstavnika družbe CONMED. E-poštni naslov: CustomerExperience@CONMED.com

Odstranitev kompleta bifurkatnega cevja za evakuacijo dima s filtrom z aktivnim ogljem

**Opomba: Za funkcije, povezane z določenimi revizijami programske opreme, glejte navodila za uporabo sistema IFS.**

- Ko končate poseg, na zaslonu na dotik pritisnite **STOP** (Zaustavi), da zaustavite insuflacijo (**Opomba:** to bo povzročilo izgubo pnevmoperitoneja). S standardno laparoskopsko tehniko odstranite vse kirurške pripomočke in zaprite ustrezna mesta odprtin na običajen način.
- Vzvod na sistemu AirSeal IFS premaknite v zgornji položaj ali položaj UNLOCK (Odklenjeno).
- Komplet bifurkatnega cevja za evakuacijo dima s filtrom z aktivnim ogljem odstranite s priključka za komplet cevja na sistemu AirSeal IFS.
- Ker se preskus funkcij izvede med uvodnim zagonom, je treba enoto vklopiti/izklopiti pred vsakim kirurškim posegom.

**ODSTRANJEVANJE MED ODPADKE**

Pripomoček odstranite v skladu z zahtevami lokalne bolnišnice.

**KAKO JE PRIPOMOČEK DOSTAVLJEN**

Port za dostop z optično konico AirSeal, port za dostop z nizkoprofilno konico AirSeal, izbirni zvočni pokrovček (8 mm, 12 mm), port za dostop s topo konico AirSeal, kanila AirSeal, komplet bifurkatnega cevja za evakuacijo dima s filtrom z aktivnim ogljem, komplet filtrirnega cevja s trojno svetlino in filtrom z aktivnim ogljem, komplet cevja z enojno svetlino in adapter z enojno svetlino AirSeal, so ob dobavi sterilizirani s sevanjem gama in so namenjeni uporabi pri enem bolniku. Po uporabi jih zavrzite. Dostopne odprtine, zvočni pokrovčki in kompleti cevja AirSeal niso izdelani iz naravnega lateksa.

Sistem AirSeal IFS ni sterilen in je namenjen večkratni uporabi.

AirSeal® je registrirana blagovna znamka družbe CONMED Corporation.

**IN ONLVI** POZOR: Zvezna zakonodaja v ZDA dovoljuje prodajo izdelka le zdravnikom oziroma po njihovem naročilu.

**AirSeal® iFS**

**AirSeal® 액세스 포트**

날 없는 광학 팁, 로우 프로파일 날 없는 광학 팁, 팜 그립(Palm Grip) 날 없는 광학 팁 및 무딘 팁 액세스 포트

**AirSeal® 필터 구비 튜브 세트**

활성탄소 필터가 있는 삼중 루멘 필터 구비 튜브 세트, 활성탄소 필터가 있는 두갈래 연기 배기 필터 구비 튜브 세트, 단일 루멘 필터 구비 튜브 세트

**구성도: 그림 및 명명**

<p><b>AirSeal iFS(그림 1)</b></p> <p>A. ON/OFF 스위치                  B. 터치 스크린 디스플레이                  C. AirSeal 및 연기 배기 모드용 리셋터클                  D. 튜브 세트 제자리 잠금용 레버                  E. 표준 주입 모드용 주입 튜브 연결부</p> <p><b>날 없는 액세스 포트(그림 2/3)</b></p> <p>A. 매니폴드 플러그                  B. 캐놀라                  C. 날 없는 광학 팁 단개                  D. 캐놀라 래치</p> <p><b>무딘 팁 액세스 포트(그림 4)</b></p> <p>A. 매니폴드 플러그                  B. 캐놀라                  C. 무딘 팁 단개                  D. 스프링 앵커 - 봉합사 묶음 앵커 장치</p> <p><b>옵션형 사운드 캡(그림 5)</b></p>	<p><b>튜빙 세트(그림 6/7/8)</b></p> <p>A. 필터                  B. 2.44~3.05m(8~10피트) 튜브                  C. 루어록 피팅                  D. 단일 루멘 어댑터 어셈블리                  E. 썸 칼라(Thumb Collar)</p> <p><b>AirSeal 모드(그림 9)</b></p> <p><b>연기 배기 모드(그림 10)</b></p> <p><b>표준 주입 모드(그림 11)</b></p> <p><b>내시경 삽입(그림 12)</b></p> <p>A. AirSeal 액세스 포트                  B. 적당한 크기의 내시경</p> <p><b>내시경 삽입(그림 13)</b></p> <p>A. 회전하면서 삽입하면 삽입을 위해 가해지는 힘이 적어집니다</p> <p><b>내시경 제거(그림 14)</b></p> <p>A. 내시경을 후퇴시키십시오.                  B. 여기를 눌러서 캐놀라를 해제하십시오</p> <p><b>AirSeal 튜브 세트에 올바르게 연결된 AirSeal 액세스 포트의 상면도(그림 15)</b></p> <p>A. 튜브 세트 볼스아이 커넥터 핀</p> <p><b>AirSeal 튜브 세트에 올바르게 연결된 AirSeal 액세스 포트의 전면도(그림 16)</b></p> <p>A. 튜브 세트 볼스아이 커넥터 핀</p>
---	---

**중요! 제품을 사용하기에 앞서 다음 정보를 숙지하십시오.**

이 책자는 본 제품 사용에 도움이 되기 위한 것입니다. 이 책자는 수술 기법에 대한 참고 자료가 아닙니다. 또한 AirSeal iFS 및 모든 작동 모드에 대한 지침 전문은 AirSeal iFS 사용 설명서를 참조하십시오.

**사용 지침:**

CONMED AirSeal® iFS 시스템은 가스를 채워 체강을 팽창시키고, 밀봉 가스 장애물이 없는 내시경 기구 진입 경로를 생성 및 유지하고, 수술 시 발생하는 유해 연기를 배출하기 위해 진단 및/또는 치료용 내시경 시술에 사용하기 위한 제품입니다. 복강 또는 흉강을 가스로 채워 팽창시키고, 기밀하고 장애물 없는 기구 경로를 만들어 유지하고, 수술 시 발생하는 연기를 배출시킴으로써 다양한 흉강경 및 복강경 기구의 사용을 수월하게 만들기 위해 인서트플레이션이 필요한 복강, 흉강 및 소아 시술에 사용하기 위한 것입니다. 또한, 이 기구는 내시경 관찰, 진단 및 치료에 수월하도록 직장과 결장에 인서트플레이션하기 위해 사용될 수 있습니다. AirSeal® iFS 시스템의 투관침은 가시화 유무에 상관 없이 사용할 수 있습니다.

**AirSeal iFS의 작동 모드는 세 가지입니다:**

1. AirSeal 모드(그림 9)
2. 연기 배기 모드(그림 10)
3. 표준 주입 모드(그림 11)

**AirSeal 모드:**

AirSeal 모드로 사용할 경우, AirSeal iFS는 복강경 수술 중에 CO<sub>2</sub> 가스를 공급하여 복강 기체가 안정되게 하고 지속적으로 연기를 배출하도록 설계되었으며 AirSeal iFS, AirSeal 액세스 포트 및 활성탄소 필터가 있는 삼중 루멘 필터 구비 튜브 세트를 사용해야 합니다. 활성탄소 필터가 있는 삼중 루멘 필터 구비 튜브 세트를 사용하여 AirSeal 액세스 포트를 AirSeal iFS에 연결합니다(그림 9).

**Smoke Evacuation 모드:**

연기 배기 모드로 사용할 경우, AirSeal iFS는 복강경 수술 중에 CO<sub>2</sub> 가스를 공급하고 지속적으로 연기를 배출하도록 설계되었으며 AirSeal iFS, 표준 Luer 포트를 갖춘 재래식(비 AirSeal) 투관침 2개 및 활성탄소 필터가 있는 두갈래 연기 배기 튜브 세트를 사용해야 합니다. 연기 배기 경로를 따라 CO<sub>2</sub> 가스를 전달하기 위해 재래식 투관침 2개를 사용하여 활성탄소 필터가 있는 두갈래 연기 배기 튜브 세트를 연결합니다. 활성탄소 필터가 있는 두갈래 연기 배기 튜브 세트는 두갈래로 나뉘어져 AirSeal iFS와 재래식 투관침 2개에 연결됩니다(그림 10).

**Standard Insufflation 모드:**

표준 주입 모드로 사용할 경우, AirSeal iFS는 복강경 수술 중에 재래식 주입기와 같은 형식으로 CO<sub>2</sub> 가스를 공급하고 표준 주입을 실시하도록 설계되었으며 AirSeal iFS, 표준 Luer 포트를 갖춘 재래식(EJ AirSeal) 투관침 1개 및 단일 루멘 필터 구비 튜브 세트를 사용해야 합니다. 투관침 상의 Luer 포트는 단일 루멘 필터 구비 튜브 세트에 연결되어 표준 주입과 CO<sub>2</sub> 가스 전달을 실시합니다. 단일 루멘 필터 구비 튜브 세트는 재래식 투관침 1개를 AirSeal iFS에 연결합니다(그림 11).

**AirSeal 액세스 포트는 두 가지 구성이 가능합니다:**

1. 날 없는 광학 팁 액세스 포트(그림 2 및 3)
2. 무딘 팁 액세스 포트(그림 4)

날 없는 광학 팁 액세스 포트를 주 진입을 위해 사용할 경우, 안전한 복부 진입을 위해 복강경을 사용하여 가시화를 제공하도록 권장합니다.

**AirSeal 튜브 세트는 세 가지 구성이 가능합니다:**

1. 활성탄소 필터가 있는 삼중 루멘 필터 구비 튜브 세트(그림 6)
2. 활성탄소 필터가 있는 두갈래 연기 배기 튜브 세트(그림 7)
3. 단일 루멘 필터 구비 튜브 세트(그림 8)

AirSeal iFS에서 선택된 모드에 근거하여 적합한 튜브 세트를 사용해야 합니다. 맞지 않는 튜브 세트를 삽입하면 선택된 AirSeal iFS 모드가 진행되지 않고 경고 메시지가 나타납니다.

필터 구비 튜브 세트는 액체를 받아들일도록 설계되지 않았습니다. 액체가 필터에 들어가는 경우, AirSeal iFS의 터치 스크린 디스플레이에 경고 메시지가 나타납니다. 이 상태가 발생하면 캐놀라 배치를 점검하고 튜브 세트를 교체할 준비를 해야 합니다.

## 경고:

- 사용법을 올바르게 따르지 않을 경우 심각한 수술 결과가 초래될 수 있습니다.
- 복강경 기법에 대한 지식과 경험이 있고 교육을 받은 적격 의사만 AirSeal 시스템 구성요소들을 사용해야 합니다.
- 본 사용법은 수술법이나 복강경 수술에 대한 설명이나 지침을 포함하지 않습니다. 이러한 제품을 사용하여 실시할 시술 유형의 적합성을 판단하여 각 환자를 위한 특정 기법을 판단하는 절차는 실시하는 것은 의사의 책임입니다.
- AirSeal 시스템과 함께 제공되는 구성요소들은 유효기간 전에 사용하며 포장이 개봉되거나 손상되지 않은 경우에만 무균 상태입니다. 만기일이 지나거나 포장이 열리거나 손상된 경우 사용하지 마십시오.
- 모든 일회용 AirSeal 시스템 장치(액세스 포트 및 튜브 세트)는 단일 환자 용으로 포장되고 소독됩니다. 재사용하거나 재처리하거나 재멸균하지 마십시오. 재사용, 재처리 또는 재멸균의 경우 장치의 구조적 무결성이 손상되거나 장치 고장이 발생하여 환자 부상, 질병 또는 사망이 발생할 수도 있습니다. 또한 일회용 장치를 재처리하거나 재소독하면 오염 위험이 조성되거나 한 환자로부터 다른 환자에게로 전염병이 전염되는 것과 같은 환자 감염 또는 교차 감염이 발생할 수 있습니다. 장치가 오염되면 환자의 부상, 질병 또는 사망이 초래될 수 있습니다.
- 캐놀라 팁을 세척액이나 체액에 담그지 마십시오.
- AirSeal IF5 경보는 냉각 환기구가 제어 콘솔의 측면이나 아래에서 차단된 경우에 울립니다. 경보가 울리면 냉각 환기구가 막히지 않았는지 점검하십시오.
- 위의 상태가 존재하지 않으며 경보가 계속 울리는 경우, AirSeal IF5 사용을 중지하고 제조업체에 반쯤하여 서비스를 받으십시오.

## 주의사항:

- 공기배출 형성의 경우 정맥 환류량 감소, 심박출량 감소, 두개내압 증가, 기도저항 증가 및 폐탄소 감소를 비롯한 생리적 부작용이 일어날 수 있습니다.
- 최소 침습 시술법에 대한 적절한 훈련을 받고 이에 친숙하며 해당 기술을 갖춘 사람만 최소 침습 시술을 실시해야 합니다.
- 최소 침습 시술 실시 시 호흡기, 합병증 및 위험에 대한 의학 서적을 참조하십시오.
- 환자와 의료요원의 감전 및 화학 위험과 장치 기타 의료 기구의 손상을 방지하기 위해 레이저, 전기수술 및 초음파 시술에 관한 원리 및 기술에 대한 완전한 이해가 필수적입니다. 전기 절연이나 접지가 약화되지 않도록 하십시오.
- 공기 유입 가능성은 다음 상태에서 존재합니다:
  - 외부에서 심한 압력이 복부에 가해짐
  - 설치된 다른 재래식 포트나 개방 절개를 통한 심한 장시간 누출
  - 심한 장시간 흡입
- 위에 서술된 상태 하에서 주입 가스를 공기로 치환하는 것은 일시적이며 유입된 공기는 CO<sub>2</sub>에 의해 치환될 것입니다.
- 경장 시술 시 주입 압력이 >15mm Hg를 초과하지 않는 것이 권장됩니다.
- 이산화탄소 주입 시 주입 압력이 더 높을 경우(> 15mm Hg) 고탄산혈증, 피하 기종, 기종격, 기흉, 음낭기종 및 요폐 위험이 증가할 수 있습니다.
- 읍선형 사운드 캡(8mm, 12mm)을 사용하는 경우:
  - 사용 전 사운드 캡의 폼 및 씬을 검사하십시오.
  - 모든 종류의 신체적 손상에 대해 사용한 후 사운드 캡을 검사하십시오.
- AirSeal 액세스 포트 삽입 중 대단히 조심해야 합니다. 본 제품을 잘못 사용하면 체내 기관 및 혈관에 생명을 위협하는 상태가 초래될 수 있습니다.
  - 적절한 복강기체 또는 직장기체를 설정하도록 하십시오.
  - 기관이 관통 부위로부터 떨어져 있도록 환자를 적절히 배치시켜야 합니다.
  - AirSeal 액세스 포트의 말단부가 중요한 혈관 및 기관을 향하지 않게 하십시오.
  - AirSeal 액세스 포트의 바깥쪽 벽면은 조직에만 닿아야 하고, 다른 도구나 뼈와 같은 단단한 표면 사이에 끼거나 그러한 면과 충돌하지 않도록 주의해야 합니다. 단단한 면과 오랫동안 또는 갑자기 닿는 경우 액세스 포트가 손상되거나 파손될 수 있습니다.
  - 지나치게 힘을 사용하지 마십시오.
- AirSeal 액세스 포트에는 외과용 수동 조작 도구만 통과해야 합니다. AirSeal 액세스 포트에 투관침이나 로봇 작동식 도구를 삽입하면 안 됩니다. 부적절하게 사용하면 액세스 포트가 손상되거나 파손될 수 있습니다.
- 날 없는 광학 팁 액세스 포트는 기저 해부학적 조직에 대한 관통상의 가능성을 최소화하도록 설계된 것이 특징입니다. 그러나 이와 같은 삽입 시에 일반적으로 사용되는 표준적인 주의 조치를 따라야 합니다.
- 날 없는 광학 팁 액세스 포트의 팁에는 “날이 없지만”, 주요 혈관 및 기타 신적 조직(장이나 장관 및 등)에 대한 손상을 피하기 위해 이러한 류의 모든 장치와 마찬가지로 주의를 기울여야 합니다. 이러한 부상의 위험을 최소화하기 위해서는:
  - 적절한 복강기체 또는 직장기체를 설정합니다.
  - 장기들이 관통 영역 밖에 있도록 환자를 올바르게 배치해야 합니다.
  - 주요 해부학적 기준점들에 유의하십시오.
  - AirSeal 액세스 포트의 말단부가 중요한 혈관 및 조직을 향하지 않게 하십시오.
  - გადა하거나 조절되지 않은 힘을 사용하지 마십시오.
  - 가능하면 광학 진입 기법을 사용하십시오.
- 일단 부분적 진입이 이루어지면, 진입을 완료하는 데는 아주 적은 힘이 필요합니다. 과도한 힘을 가하면 기저 해부학적 조직이 손상될 수 있습니다.
- 일단 내시경 방식으로 올바르게 진입되면, 추가 관통을 위해 날 없는 광학 팁 액세스 포트를 전진시키지 말아야 합니다. 이 지점에서 액세스 포트를 계속 전진시키면 기저 해부학적 조직이 손상될 수 있습니다.
- 일단 안전하고 적절하게 진입이 이루어지면, AirSeal 액세스 포트가 주입을 위해 사용되는 동안 항상 AirSeal 액세스 포트의 원위 팁에 있는 흑색 선이 구멍 내에서 보이도록 하십시오.
- 일차 부위 및 권장 복강내압(보통 12~18mm Hg)이 이루어질 때까지 이차 투관침 천자를 시도하지 마십시오.
- 캐놀라를 복강에서 제거한 후에는 항상 지혈을 위해 부위를 검사하십시오. 지혈이 되지 않으면 적절한 기법을 사용하여 지혈을 이루어야 합니다.
- 활성탄소 필터가 있는 삼중 루멘 필터 구비 튜브 세트 및 활성탄소 필터가 있는 두갈래 연기 배기 튜브 세트에는 필터 내 액체 수준을 모니터링하고 사용자에게 잠재적인 장치 오염을 경고하기 위한 액체 센서가 장착되어 있습니다. 필터 하우징의 액체 트랩이 낮은 액체 수준까지 한 경우, 터치 스크린 디스플레이에 경고 메시지가 서술되고 신호음이 발동됩니다. 더 이상의 유체가 필터에 들어가지 않았는지 확인하기 위해 캐놀라와 튜브 설치부를 확인해야 합니다. 이 지침에서 AirSeal 액세스 포트에 단개를 다시 삽입하고 필터 구비 튜브 세트를 교체합니다.
- 체액과 접촉하는 기구나 장치는 생물학적 오염 방지를 위해 특별한 처분 취급을 요할 수 있습니다.

## 금지

AirSeal IF5는 내시경 최소 침습 시술법이 금지된 경우에는 사용하지 말아야 합니다.

**중요:** 본 제품 설명서는 사용법을 알리기 위한 것입니다. 투관침 삽입법에 대한 참고 자료나 안내서가 아닙니다. 주입 후 날 없는 광학 팁 투관침을 일차 포트로 성공적으로 사용하는 것은 조직 층들을 인식하고 구분하는 능력에 따라 좌우됩니다. 그러므로 새 사용자들은 조직 층을 가시화하는 경험과 기술 능력을 얻기 위해 주입 후 이차 포트를써 광학 팁 투관침을 활용해야 합니다. 위의 기법으로 경험을 얻은 후에만 광학 팁 투관침을 주입 후 일차 포트로 사용해야 합니다.

**참고:** 무균 제공 이전에 무균성에 영향을 미칠 수 있는 패키지 무결성 문제가 있는지 멸균 차단 시스템을 육안으로 검사합니다. 멸균 차단 시스템에 결함이 발견된 경우 사용하지 마십시오.

## 사용 지침

### AirSeal 모드를 위한 AirSeal 액세스 포트의 일반적인 사용법:

**참고: 특정 소프트웨어 버전에 관한 기능에 대해서는 iFS 사용 설명서를 참조하십시오.**

- ON/OFF 스위치를 눌러 AirSeal iFS를 켜십시오(그림 1.A).
- AirSeal iFS의 레버가 위 또는 UNLOCK(잠금 해제) 위치에 있어야 합니다(그림 1.D).
- 삼중 루멘 필터 구비 튜브 세트를 삽입하기 전에 최초 자가 점검을 완료하십시오.
- 무균 기법을 사용하여 포장에서 삼중 루멘 튜브 세트를 꺼냅니다. 손상 방지를 위해 장치를 무균 영역 안으로 젖히지 마십시오.
- 삼중 루멘 튜브 세트의 필터 하우징을 AirSeal iFS의 전면에 위치한 튜브 세트 리셉터를 삽입합니다(그림 1.C).
- 레버를 내리 눌러 LOCK(잠금) 위치로 가게 하십시오(그림 9), AirSeal 액세스 포트가 자동으로 시작됩니다.  
**참고:** AirSeal 소아 모드가 활성화된 경우, 성인 또는 소아 AirSeal 모드를 선택하라는 메시지가 표시됩니다. Pediatric AirSeal Mode(소아 AirSeal 모드)에 대한 자세한 내용은 AirSeal iFS 사용 설명서를 참조하십시오.
- AirSeal iFS 터치 스크린 디스플레이에서 가스 공급 수준이 충분한지 확인하십시오(그림 1.B).
- 환자에 대해 원하는 유량 및 압력 설정을 선택하십시오. "Confirm(확인)"을 눌러 환자 설정을 확인하십시오.

**날 없는 광학 팁 액세스 포트와 Veress 바늘을 진입하기 위해서는 아래의 사용법을 추가로 참조하십시오. 이 기법은 무딘 팁(Hasson 형) 복부 진입을 위해 사용하지 않습니다. Veress 바늘 진입 기법을 사용하지 않는 경우, 9단계로 가십시오.**

- 단일 루멘 어댑터가 활성화된 필터가 있는 삼중 루멘 필터 구비 튜브 세트에 부착되어 있습니다.
- 단일 루멘 어댑터를 Veress 바늘 포트에 연결하고 제조업체의 사용법에 따라 삽입하십시오.
- AirSeal iFS 터치 스크린 디스플레이에서 원하는 흐름 및 압력 값을 설정하십시오.
- AirSeal iFS 터치 스크린 디스플레이에서 "Start(시작)"을 누르면 최초 주입이 시작됩니다.
- 최초 주입이 이루어진 후에 활성화된 필터가 있는 삼중 루멘 필터 구비 튜브 세트를 단일 루멘 어댑터에서 분리하십시오.
- Veress 바늘을 제거하십시오.

**AirSeal 액세스 포트가 설치할 첫 투과침이 아닌 경우, 단일 루멘 어댑터를 활성화된 필터가 있는 삼중 루멘 필터 구비 튜브 세트에 연결된 상태로 유지하고 단일 루멘 어댑터를 설치할 첫번째 재래식 투과침의 Luer 포트에 전환하십시오. 일단 AirSeal 액세스 포트가 삽입되면 단일 루멘 어댑터만 제거하십시오.**

- 무균 기법을 사용하여 포장에서 AirSeal 액세스 포트 및 흡연형 사운드 캡(8mm, 12mm)을 꺼냅니다. 손상 방지를 위해 장치를 무균 영역 안으로 젖히지 마십시오.
- AirSeal 액세스 포트(단개 및 캐놀라)는 조립 포장된 상태로 공급되므로 조립할 필요가 없습니다. 참고: 액세스 포트를 조립해야 할 경우, 함께 단단히 잠겨질 때까지 단개를 캐놀라 안에 삽입하십시오.
- 단개와 캐놀라가 제대로 조립되었는지 확인합니다. 참고: 무딘 팁 액세스 포트를 사용하는 경우, 스프링 앵커가 제자리에 있는지도 확인하십시오(그림 4.D).
- 표준 수술 절차를 사용하여 절개를 실시합니다. (참고: 캐놀라의 직경을 수용하도록 절개해야 합니다. 부적합하게 절개할 경우 삽입에 대한 저항이 심하여 관통하기 위해 더 힘을 주어야 하며 진입 시에 제어력을 상실할 수도 있습니다.)

**조립된 액세스 포트를 삽입할 준비가 되었습니다. 무딘 팁 액세스 포트를 사용하는 경우, 적합한 복강경(Hasson 식 진입) 기법을 사용하십시오.**

- 30° 또는 90° 회전 동작을 사용하여 액세스 포트 어셈블리를 피부 절개를 통하여 삽입하십시오. 핸들에 지속적으로 조절된 하방 압력을 가하십시오.
- 액세스 포트가 제대로 삽입되었는지 확인합니다. 이 때 단개를 캐놀라에서 제거하지 마십시오. 참고: 무딘 팁 액세스 포트를 사용할 경우, 스프링 앵커는 통상적인 방법에 따라 봉합사로 환자의 복부에 대해 아래로 고정되어야 합니다.
- AirSeal 액세스 포트가 주입을 위해 사용되는 동안 항상 AirSeal 액세스 포트의 원위 팁에 있는 흑색 선이 구멍 내에서 보이도록 하십시오.
- AirSeal 액세스 포트의 캐놀라의 측면에서 매니폴드 플러그를 제거하고 활성화된 필터가 있는 삼중 루멘 필터 구비 튜브 세트의 원위단을 캐놀라 매니폴드에 연결하고 조심하십시오.  
**참고:** AirSeal 튜브 세트와 액세스 포트가 적절하게 조여지지 않으면 장치에 표시되는 압력 측정값이 환자가 느끼는 압력을 반영하지 못할 수 있습니다. 튜브 세트 볼스라이 커넥터의 흰색 링 중 하나가 액세스 포트 상단에 직접 정렬되는 안전하게 연결된 상태를 육안으로 확인할 수 있습니다(그림 15). 튜브 세트가 연결된 상태에서 액세스 포트의 표지를 똑바로 바라보는 상태에서 튜브 세트의 커넥터 부분에 있는 링 중 하나가 액세스 포트에 수직으로 바로 놓여 있어야 합니다(그림 16).
- AirSeal이 자동으로 활성화됩니다. 신호음과 녹색 "AirSeal active(AirSeal 활성화)" 메시지가 표시될 때까지 단기를 제자리에 두십시오.
- 단개 래치 버튼을 눌러서 두 장치의 잠금을 해제하여 단개를 캐놀라로부터 제거하십시오. 참고: 무딘 팁 액세스 포트에는 래치 버튼이 없으므로 단개를 캐놀라로부터 똑바로 당겨냄으로써 제거할 수 있습니다.
- 일단 AirSeal 모드가 활성화되고 단개를 AirSeal 캐놀라로부터 제거하였으면, 가스 흐름 압력은 자동으로 됩니다. 참고: High(높음) 또는 Low(낮음) 설정 중에서 연기 밸기 수준을 변경할 수 있습니다.
- 원하는 경우, 이 때 흡연형 사운드 캡(8mm, 12mm)을 캐놀라 위에 놓을 수 있습니다. (참고: 흡연형 사운드 캡을 사용하는 경우, 캐놀라를 통해 뾰족한 장치 또는 큰 장치 삽입 시 주의하십시오. 사운드 캡(흡선)은 시술 중 언제든지 캐놀라에서 제거할 수 있고, 캐놀라에 날카롭거나 큰 물건을 삽입하기 전에 제거해야 합니다.)
- 시술 완료 시, AirSeal 주입을 중지하려면 터치 스크린 디스플레이에서 STOP(중지)을 누르십시오(참고: 그러면 복강기체가 상실됩니다). 일반 복강경 기법을 사용하여 모든 수술 장치들을 제거하고 통상적인 방식으로 해당 포트 부위를 닫으십시오. 참고: 시술 완료 시, AirSeal은 종료 전 최종 교정을 거칩니다. 이 과정에서는 압력 또는 인서플레이션이 형성되지 않습니다. 활성화된 필터가 있는 삼중 루멘 필터 구비 튜브 세트를 제거하거나 iFS의 전원을 끄기 전에 최종 교정이 완료되도록 대기하십시오.
- AirSeal iFS의 레버를 위 또는 UNLOCK(잠금 해제) 위치로 옮기십시오.
- 활성화된 필터가 있는 삼중 루멘 필터 구비 튜브 세트의 AirSeal iFS 튜브 세트 리셉터에서 제거하십시오.
- 기능 시험은 초기 준비 중에 수행하므로 매번 수술하기 전에 유닛 전원을 끄다가 켜야 합니다.

**내시경을 사용하면서 날 없는 광학 팁 액세스 포트를 삽입하기 위해서는 아래의 사용법을 추가로 참조하십시오.**

**참고: 특정 소프트웨어 버전에 관한 기능에 대해서는 iFS 사용 설명서를 참조하십시오.**

- 제조업체의 사용법에서 지시한 대로 0° 내시경을 광원 및 모니터에 연결하십시오. 내시경이 올바르게 연결되었는지 확인하고 모니터 상의 그림이 선명하게 확인하십시오.
- 내시경을 날 없는 광학 팁 액세스 포트 핸들의 근위단에 있는 구멍에 삽입하여 액세스 포트의 원위 팁에 도달하게 하십시오(내시경 삽입, 그림 12).
- 원하는 대로 내시경을 회전하십시오(내시경 삽입, 그림 13).
- 모니터 상에 분명한 영상을 제공하기 위해 내시경을 날 없는 광학 팁 액세스 포트 핸들에 삽입하고 광학 팁이 편리한 부드러운 표면에 닿게 하고 고정의 초점을 맞춥니다.
- 표준 수술 절차를 사용하여 절개를 실시합니다. (참고: 캐놀라의 직경을 수용하도록 절개해야 합니다. 부적합하게 절개할 경우 삽입에 대한 저항이 심하여 관통하기 위해 더 힘을 주어야 하며 진입 시에 제어력을 상실할 수도 있습니다.) 30° 또는 90° 회전 동작을 사용하여 액세스 포트 어셈블리를 피부 절개를 통하여 삽입하십시오. 핸들에 지속적으로 조절된 하방 압력을 가하십시오.

6. 액세스 포트 삽입 중에 복강경을 사용하여 액세스 포트가 개별 조직면을 관통하는 것을 살펴보십시오. 액세스 포트가 전진함에 따라 개별 조직면들이 보일 수 있습니다.
7. 복강경을 날 없는 광학 팁 액세스 포트에서 제거하십시오(내시경 제거; 그림 14).
8. 위의 지침에 따라 13단계부터 시작하여 시술을 진행하십시오.

## 사용 지침

### 경향문에서 AirSeal 모드에 대한 AirSeal 액세스 포트의 사용법 적용:

**참고:** 특정 소프트웨어 버전에 관한 기능에 대해서는 *ifs 사용 설명서*를 참조하십시오.

1. ON/OFF 스위치를 눌러 AirSeal ifs를 켜십시오(그림 1, A).
2. AirSeal ifs의 레버가 위 또는 UNLOCK(잠금 해제) 위치에 있어야 합니다(그림 1, D).
3. 삼중 루멘 필터 구비 튜브 세트를 삽입하기 전에 최초 자가 점검을 완료하십시오.
4. 무균 기법을 사용하여 포장에서 삼중 루멘 튜브 세트를 꺼냅니다. 손상 방지를 위해 장치를 무균 영역 안으로 젖히지 마십시오.
5. 삼중 루멘 튜브 세트의 필터 하우징을 AirSeal ifs의 전면에 위치한 튜브 세트 리셉터클에 삽입합니다(그림 1, C).
6. 레버를 내리 눌러 LOCK(잠금) 위치로 가게 하십시오(그림 9), AirSeal 액세스 포트가 자동으로 시작됩니다.
- 참고:** AirSeal 소아 모드가 활성화된 경우, 성인 또는 소아 AirSeal 모드를 선택하라는 메시지가 표시됩니다. Pediatric AirSeal Mode(소아 AirSeal 모드)에 대한 자세한 내용은 AirSeal ifs 사용 설명서를 참조하십시오.
7. AirSeal ifs 터치 스크린 디스플레이에서 가스 공급 수준이 충분한지 확인하십시오(그림 1, B).
8. 환자에 대해 원하는 유량 및 압력 설정을 선택하십시오. "Confirm(확인)"을 눌러 환자 설정을 확인하십시오.
9. 무균 기법을 사용하여 포장에서 AirSeal 액세스 포트 및 옵션형 사운드 캡(8mm, 12mm)을 꺼냅니다. 손상 방지를 위해 장치를 무균 영역 안으로 젖히지 마십시오.
10. AirSeal 액세스 포트(단개 및 캐놀라)는 조립 포장된 상태로 공급되므로 조립할 필요가 없습니다.  
**참고:** 액세스 포트를 조립해야 할 경우, 함께 단단히 잠겨질 때까지 단개를 캐놀라 안에 삽입하십시오.
11. 단개와 캐놀라가 제대로 조립되었는지 확인합니다.
12. 직장에 배치 시 선택한 경향문 액세스 플랫폼 장치의 제조업체가 제공한 사용 설명서를 따릅니다.
13. 적절한 루멘 또는 캐놀라 위치를 통해 액세스 포트를 경향문 액세스 플랫폼 장치에 삽입합니다. 액세스 포트를 경향문 액세스 플랫폼 장치에 삽입할 때 30° ~ 90° 회전 동작을 사용하여 진입하십시오. 액세스 플랫폼 장치에 안착할 때까지 액세스 포트에 지속적으로 조절된 축 압력을 가하십시오.
14. 단개와 캐놀라가 제대로 삽입되었는지 확인합니다. 이 때에 단개를 캐놀라 어셈블리에서 제거하지 마십시오.
15. AirSeal 액세스 포트의 캐놀라의 측면에서 매니폴드 플러그를 제거하고 활성탄소 필터가 있는 삼중 루멘 필터 구비 튜브 세트의 원위단을 캐놀라 매니폴드에 연결하고 조심하십시오.  
**참고:** AirSeal 튜브 세트와 액세스 포트가 적절하게 조여지지 않으면 장치에 표시되는 압력 측정값이 환자가 느끼는 압력을 반영하지 못할 수 있습니다. 튜브 세트 볼스아이 커넥터의 흰색 띠 중 하나가 액세스 포트 상단에 직접 연결되는 안전하게 연결된 상태를 육안으로 확인할 수 있습니다(그림 15). 튜브 세트가 연결된 상태에서 액세스 포트의 표적을 똑바로 바라보는 상태에서 튜브 세트의 커넥터 부분에 있는 띠 중 하나가 액세스 포트에 수직으로 바로 놓여 있어야 합니다(그림 16).
16. AirSeal이 자동으로 활성화됩니다. 신호음과 녹색 "AirSeal active(AirSeal 활성화)" 메시지가 표시될 때까지 단기를 제자리에 두십시오.
17. 단개 래치 버튼을 눌러서 두 장치의 잠금을 해제하여 단개를 캐놀라로부터 제거하십시오.
18. 일단 AirSeal 모드가 활성화되고 단개를 AirSeal 캐놀라로부터 제거하였으면, 가스 흐름 압력은 자동이 됩니다.  
**참고:** High(높음) 또는 Low(낮음) 설정 중에서 연기 배기 수준을 변경할 수 있습니다.
19. 원하는 경우, 이 때 옵션형 사운드 캡(8mm, 12mm)을 캐놀라 위에 놓을 수 있습니다.(참고: 옵션형 사운드 캡을 사용하는 경우, 캐놀라를 통해 배출한 장치는 큰 장치 삽입 시 주의하십시오. 사운드 캡(옵션)은 시술 중 언제든지 캐놀라에서 제거할 수 있고, 캐놀라에 날카롭거나 큰 물건을 삽입하기 전에 제거해야 합니다.)
20. 시술 완료 시, AirSeal 주입을 중지하려면 터치 스크린 디스플레이에서 **STOP**(중지)을 누르십시오(참고: 그러면 복강기체가 상실됩니다). 일반 복강경 기법을 사용하여 모든 수술 장치들을 제거하고 통상적인 방식으로 해당 포트 부위를 닫으십시오.  
**참고:** 시술 완료 시, AirSeal 모드는 종료 전 최종 교정을 거칩니다. 이 과정에서는 압력 또는 인시플레이션이 형성되지 않습니다. 활성탄소 필터가 있는 삼중 루멘 필터 구비 튜브 세트를 제거하거나 ifs의 전원을 끄기 전에 최종 교정이 완료되도록 대기하십시오.
21. AirSeal ifs의 레버를 위 또는 UNLOCK(잠금 해제) 위치로 옮기십시오.
22. 활성탄소 필터가 있는 삼중 루멘 필터 구비 튜브 세트를 AirSeal ifs 튜브 세트 리셉터클에서 제거하십시오.
23. 기능 시험은 초기 준비 중에 수행하므로 매번 수술하기 전에 유닛 전원을 끄다가 켜야 합니다.

## 연기 배기 및 표준 주입 모드에서의 일반적인 사용법:

### VERESS 바늘과 함께 최초 주입

**참고:** 특정 소프트웨어 버전에 관한 기능에 대해서는 *ifs 사용 설명서*를 참조하십시오.

1. ON/OFF 스위치를 눌러 AirSeal ifs를 켜십시오(그림 1, A).
2. 진단 자가 점검 완료 시에 터치 스크린 디스플레이에서 AirSeal ifs 상의 모드 선택 목록으로부터 연기 배기 모드나 표준 주입 모드를 선택하십시오(그림 1, B).
3. AirSeal ifs 터치 스크린 디스플레이에서 가스 공급 수준이 충분한지 확인하십시오(그림 1, B).
4. 적합한 튜브 세트를 AirSeal ifs에 연결하십시오(활성탄소 필터가 있는 두갈래 연기 배기 튜브 세트 연결에 대해서는 아래의 구체적인 지침을 참조하십시오).  
**참고:** 다른 튜브 세트들과는 달리 단일 루멘 튜브 세트는 AirSeal ifs 전면에 있는 주입 튜브 연결 포트에 연결됩니다.
5. 통상적인 방식에 따라 튜브 세트의 Luer 록 커넥터를 Veress 바늘이나 재래식 투관침의 단부에 연결하십시오.(활성탄소 필터가 있는 두갈래 연기 배기 튜브 세트 연결에 대해서는 아래의 구체적인 지침을 참조하십시오).
6. AirSeal ifs 터치 스크린 디스플레이에서 원하는 흐름 및 압력 밸브를 설정하십시오. "Confirm(확인)"을 눌러 환자 설정을 확인하십시오.
7. AirSeal ifs 터치 스크린 디스플레이에서 "Start(시작)"을 누르면 최초 주입이 시작됩니다.
8. 최초 주입이 이루어진 후에 **재래식 투관침을 표준 루어 포트와 함께 삽입합니다.**
9. 시술 완료 시, 주입을 중지하려면 터치 스크린 디스플레이에서 **STOP**(중지)을 누르십시오(참고: 그러면 복강기체가 상실됩니다). 일반 복강경 기법을 사용하여 모든 수술 장치들을 제거하고 통상적인 방식으로 해당 포트 부위를 닫으십시오.
10. AirSeal ifs에서 튜브 세트를 제거하십시오(활성탄소 필터가 있는 두갈래 연기 배기 튜브 세트 제거에 대해서는 아래의 구체적인 지침을 참조하십시오).
11. 초기 시동 중 기능 테스트가 수행되므로 각 수술 전에 장치의 전원을 끄다가 켜야 합니다.

## 활성탄소 필터가 있는 두갈래 연기 배기 튜브 세트에 대해서는 아래의 구체적인 지침을 참조하십시오

표준 루어 포트들과 활성탄소 필터가 있는 두갈래 연기 배기 튜브 세트를 갖춘 2개의 재래식 투관침과 함께 사용하려면.

- 투명한 튜브: 주입
- 청색 튜브: 연기 배기

### 활성탄소 필터가 있는 두갈래 연기 배기 튜브 세트 부착

#### 참고: 특정 소프트웨어 버전에 관한 기능에 대해서는 iFS 사용 설명서를 참조하십시오.

1. AirSeal iFS의 레버가 위 또는 UNLOCK(잠금 해제) 위치에 있어야 합니다(그림 1, D).
2. 활성탄소 필터가 있는 두갈래 연기 배기 튜브 세트의 필터 하우징을 AirSeal iFS의 전면에 위치한 튜브 세트 리셉터클에 삽입하십시오(그림 1, C).
3. 레버를 내리 눌러 LOCK(잠금) 위치로 가게 하십시오.
4. Veress 바늘을 활성탄소 필터가 있는 두갈래 연기 배기 튜브 세트에 있는 투명한 튜브의 루어록 커넥터에 부착하십시오.
5. AirSeal iFS 터치 스크린 디스플레이에서 원하는 흐름 및 압력 밸브를 설정하십시오. "Confirm(확인)"을 눌러 환자 설정을 확인하십시오.
6. AirSeal iFS 터치 스크린 디스플레이에서 "Start(시작)"을 누르면 최초 주입이 시작됩니다.
7. 캐놀라가 제대로 삽입되었는지 확인합니다.
8. Veress 바늘을 제거하고 활성탄소 필터가 있는 두갈래 연기 배기 튜브 세트와의 연결을 분리합니다.
9. 활성탄소 필터가 있는 두갈래 연기 배기 튜브 세트에 있는 투명한 튜브의 Luer 록 커넥터를 재래식 캐놀라에 연결하십시오. 유입 밸브/콕마개를 여십시오.
10. AirSeal iFS 터치 스크린 디스플레이상의 프롬프트에 따르십시오. 지시가 있을 때, 활성탄소 필터가 있는 두갈래 연기 배기 튜브 세트에 있는 청색 튜브의 Luer 록 커넥터를 다른 재래식 캐놀라에 연결하십시오. 주입은 활성 상태로 남습니다.
11. 활성탄소 필터가 있는 두갈래 연기 배기 튜브 세트에 있는 청색 튜브의 Luer 록 커넥터가 두 번째 재래식 캐놀라에 연결되면, 연기 배기가 활성화됩니다.

심각한 사고 - 이 장치의 사용과 관련된 심각한 사고가 발생하는 즉시 CONMED 고객 서비스 센터 또는 현지 CONMED 담당자에게 알려주세요. 이메일: CustomerExperience@CONMED.com

### 활성탄소 필터가 있는 두갈래 연기 배기 튜브 세트 제거

#### 참고: 특정 소프트웨어 버전에 관한 기능에 대해서는 iFS 사용 설명서를 참조하십시오.

1. 시술 완료 시, 주입을 중지하려면 터치 스크린 디스플레이에서 STOP(중지)을 누르십시오(참고: 그러면 복강기체가 상실됩니다). 일반 복강경 기법을 사용하여 모든 수술 장치들을 제거하고 통상적인 방식으로 해당 포트 부위를 닫으십시오.
2. AirSeal iFS의 레버를 위 또는 UNLOCK(잠금 해제) 위치로 옮깁니다.
3. 활성탄소 필터가 있는 두갈래 연기 배기 튜브 세트를 AirSeal iFS 튜브 세트 리셉터클에서 제거하십시오.
4. 기능 시험은 초기 준비 중에 수행하므로 매번 수술하기 전에 유닛 전원을 켜야 합니다.

### 폐기

장치를 폐기하는 경우, 지역별 병원 요구 사항을 따르십시오.

### 공급 방법

각 AirSeal 광학 액세스 포트, AirSeal 로우 프로파일 액세스 포트, 사운드 캡(옵션)(8mm, 12mm), AirSeal 볼런드 팁 액세스 포트, AirSeal 캐놀라, 활성탄소 필터가 있는 두갈래 연기 배기 튜브 세트, 활성탄소 필터가 있는 상중 루멘 필터 튜브 세트, 단일 루멘 튜브 세트, AirSeal 단일 루멘 어댑터는 일회용으로 감마선을 통해 무균 상태로 공급됩니다. 사용 후 폐기하십시오. AirSeal 액세스 포트, 사운드 캡, 튜브 세트는 천연 고무 라텍스로 제작되지 않았습니다.

AirSeal iFS는 멸균되지 않은 상태이며 다시 사용할 수 있습니다.

AirSeal®은 CONMED Corporation의 등록상표입니다.

**IRx ONLY** 주의: 연방법(미국)은 본 장치를 의사의 의에 또는 의사의 주문에 의한 판매로 제한하고 있습니다.

## BULGARIAN

### AirSeal® iFS

#### Троакар AirSeal®

Троакар с нережещ оптичен връх, с нископрофилен нережещ оптичен връх, с ръкохватка за хващане с цяла длан с нережещ оптичен връх и троакар с тъп връх

#### Комплекти филтрираща тръба AirSeal®

Комплект трилуменова филтрираща тръба с филтър с активен въглен, комплект раздвоена филтрираща тръба с димоотвод с филтър с активен въглен, комплект еднолуменова филтрираща тръба

### Схематично представяне: Иллюстрация и номенклатура

<p><b>AirSeal iFS (Фиг. 1)</b></p> <p>A. Превключвател за включване/изключване</p> <p>B. Сензорен екран</p> <p>C. Гнездо за режими AirSeal и димоотвеждане</p> <p>D. Лост за фиксиране на комплекта тръба на място</p> <p>E. Свързване на тръбата за инфулация за режим на стандартна инфулация</p> <p><b>Нережещи троакари (Фиг. 2/3)</b></p> <p>A. Тапа на колектора</p> <p>B. Канюла</p> <p>C. Обтуратор с нережещ оптичен връх</p> <p>D. Фиксатор за канюлата</p> <p><b>Троакар с тъп връх (Фиг. 4)</b></p> <p>A. Тапа на колектора</p> <p>B. Канюла</p> <p>C. Обтуратор с тъп връх</p> <p>D. Пружинен фиксатор – фиксиращо устройство със свързване на копец</p> <p><b>Допълнителна предпазна капачка (Фиг. 5)</b></p>	<p><b>Комплекти тръба (Фиг. 6/7/8)</b></p> <p>A. Филтър</p> <p>B. Тръба 8 – 10 ft (2,4 – 3,05 m)</p> <p>C. Луер лок конектор</p> <p>D. Комплект еднолуменов преходник</p> <p>E. Релефен пръстен</p> <p><b>Режим AirSeal (Фиг. 9)</b></p> <p><b>Режим на димоотвеждане (Фиг. 10)</b></p> <p><b>Режим на стандартна инфулация (Фиг. 11)</b></p> <p><b>Въвеждане на ендоскоп (Фиг. 12)</b></p> <p>A. Троакар AirSeal</p> <p>B. Ендоскоп с подходящ размер</p> <p><b>Въвеждане на ендоскоп (Фиг. 13)</b></p> <p>A. Въртеливото движение по време на въвеждането ще облекчи усилението при въвеждане</p> <p><b>Изваждане на ендоскоп (Фиг. 14)</b></p> <p>A. Изтегляне на ендоскоп</p> <p>B. Натиснете тук, за да освободите канюлата</p> <p><b>Изглед отгоре на троакар AirSeal с подходяща връзка за комплект тръба AirSeal (Фиг. 15)</b></p> <p>A. Ламела на централен съединител на комплект тръби</p> <p><b>Изглед отпред на троакар AirSeal с подходяща връзка за комплект тръби AirSeal (Фиг. 16)</b></p> <p>A. Ламела на централен съединител на комплект тръби</p>
---	--

### ВАЖНО! ПРЕДИ ДА ИЗПОЛЗВАТЕ ПРОДУКТА, ПРОЧЕТЕТЕ ВНИМАТЕЛНО СЛЕДНАТА ИНФОРМАЦИЯ.

Целта на тази брошура е да ви помогне при използването на този продукт. Тя не представя хирургичните техники. Освен това, моля, направете справка с инструкциите за употреба на AirSeal iFS за пълни инструкции за AirSeal iFS и всички режими на работа.

## ПОКАЗАНИЯ ЗА УПОТРЕБА:

Системата COMMED AirSeal® iFS е предназначена за употреба при диагностични и/или терапевтични ендоскопски процедури за разширяване на телесна кухина чрез напълването ѝ с газ, за създаване и поддържане на уплътнен с газ безпрепятствен път за въвеждане на ендоскопски инструменти и за отвеждане на хирургически дим. Показана е за употреба при абдоминални, торакални и педиатрични процедури, при които е необходима инсуфлация, за да се улесни използването на различни торакокопски и лапароскопски инструменти чрез запълване на коремната или гръдната кухина с газ с цел раздуване, чрез създаване и поддържане на уплътнен с газ безпрепятствен път за въвеждане на инструменти и чрез отвеждане на хирургически дим. Този инструмент може също да се използва за инсуфлация на ректума и колона, за да се улесни ендоскопското наблюдение, диагностиката и лечението. Троакарът на системата AirSeal® iFS е показан за употреба със или без визуализация.

### AirSeal iFS има три режима на работа:

1. **Режим AirSeal (Фиг. 9)**
2. **Режим на димоотвеждане (Фиг. 10)**
3. **Режим на стандартна инсуфлация (Фиг. 11)**

#### Режим AirSeal:

Когато се използва в режим AirSeal, за AirSeal iFS е предвидено да осигурява подаване на газ CO<sub>2</sub> със стабилен пневмоперитонеум и непрекъснато димоотвеждане по време на лапароендоскопска хирургична интервенция и изисква използването на AirSeal iFS, троакар AirSeal и комплект трилуменов филтрираща тръба с филтър с активен въглен. Комплектът трилуменов филтрираща тръба с филтър с активен въглен се използва за свързване на троакара AirSeal към AirSeal iFS (Фиг. 9).

#### Режим на димоотвеждане:

Когато се използва в режим на димоотвеждане, за AirSeal iFS е предвидено да осигурява подаване на газ CO<sub>2</sub> и непрекъснато отвеждане на дима по време на лапароендоскопска хирургична интервенция и изисква използването на AirSeal iFS, два обичайни (различни от AirSeal) троакара със стандартни луерови съединители и комплект раздвоена филтрираща тръба с димоотвод с филтър с активен въглен. Два обичайни троакара се използват за свързване на комплекта раздвоена филтрираща тръба с димоотвод с филтър с активен въглен, за да се осигури подаване на газ CO<sub>2</sub>, както и път за димоотвеждане. Комплектът раздвоена филтрираща тръба с димоотвод с филтър с активен въглен е раздвоен и се свързва с двата обичайни троакара към AirSeal iFS (Фиг. 10).

#### Режим на стандартна инсуфлация:

Когато се използва в режим на стандартна инсуфлация, AirSeal iFS е проектиран да осигурява подаване на газ CO<sub>2</sub> и стандартна инсуфлация по време на лапароендоскопска хирургична интервенция в същия формат като обичайните инсуфлатори и изисква използването на AirSeal iFS, един обичаен (различен от AirSeal) троакар със стандартен луер съединител и комплект еднолуменова филтрираща тръба. Луеровият съединител на троакара се свързва с комплекта еднолуменова филтрираща тръба за осигуряване на стандартна инсуфлация и подаване на газ CO<sub>2</sub>. Комплектът еднолуменова филтрираща тръба свързва един обичаен троакар с AirSeal iFS (Фиг. 11).

### Троакарът AirSeal има две налични конфигурации:

1. **Троакар с нережещ оптичен връх (Фиг. 2 и 3)**
2. **Троакар с тъп връх (Фиг. 4)**

Ако някой от троакарите с нережещ оптичен връх се използва за основен вход, се препоръчва използването на лапароскоп за визуализация, за да се оптимизира безопасното проникване в корема.

### Комплектите тръби AirSeal се предлагат в три конфигурации:

1. **Комплектът трилуменова филтрираща тръба с филтър с активен въглен (Фиг. 6)**
2. **Комплект раздвоена филтрираща тръба с димоотвод с филтър с активен въглен (Фиг. 7)**
3. **Комплект еднолуменова филтрираща тръба (Фиг. 8)**

Уверете се, че се използва подходящият комплект тръба в зависимост от режима, избран на AirSeal iFS. Режимът, избран на AirSeal iFS, няма да се включи и ще се появи предупредително съобщение, ако е поставен неправилен комплект тръба.

Комплектите филтрираща тръба не са предназначени за аспириране на течност. Ако във филтъра попадне течност, на сензорния дисплей на AirSeal iFS ще се появи предупредително съобщение. В този случай проверете разположението на каниюлата и се подгответе да смените комплекта тръба.

### ПРЕДУПРЕЖДЕНИЯ:

- Неспазването на инструкциите за употреба може да доведе до сериозни хирургични последици.
- Компонентите на системата AirSeal трябва да се използват само от квалифицирани лекари с познания, опит и обучение в областта на лапароскопските техники.
- Тези инструкции за употреба не включват описания или инструкции за хирургични техники или лапароскопски процедури. Отговорност на лекаря, извършващ всяка процедура, е да определи целесъобразността на типа процедура, която да се извърши с използването на тези продукти, и да определи конкретната прилагана техника за всеки пациент.
- Компоненти на системата AirSeal, доставени в запечатана опаковка, са стерилни само ако се използват преди изтичане на срока на годност и ако опаковката не е отворена и нарушена. НЕ използвайте след изтичане на срока на годност или ако опаковката е отворена или нарушена.
- Всички изделия за еднократна употреба на системата AirSeal (троакари и комплекти тръба) са опаковани и стерилизирани и са предназначени само за употреба при един пациент. Да не се използва, да не се обработва и да не се стерилизира повторно. Повторното използване, обработване или стерилизация може да компрометират структурната цялост на изделието и/или да доведат до повреда на изделието, което от своя страна може да доведе до нараняване, заболяване, или смърт на пациента. Освен това повторното обработване или стерилизация на изделия за еднократна употреба може да създаде риск от замърсяване и/или инфектиране на пациента, или кръстосано инфектиране, включително, но без да се ограничават до, предаване на инфекциозно(и) заболяване(я) от един пациент на друг. Замърсяването на изделието може да доведе до нараняване, заболяване, или смърт на пациента.
- Не потапяйте върха на каниюлата в иригационни или телесни течности.
- Алармата на AirSeal iFS ще се активира, ако охлаждащите отвори отстрани или отдолу на конзолата за управление са блокирани. Ако алармата се активира, проверете дали не са запушени охлаждащите отвори.
- Ако горелосочените условия НЕ са налице и алармата продължава да звучи, спрете да използвате AirSeal iFS и го върнете на производителя за сервизно обслужване.

### ПРЕДПАЗНИ МЕРКИ:

- Създаването на пневмоперитонеум има известни физиологични странични ефекти, включващи понижен венозен отток, понижен сърдечен минутен обем, понижена бъбречна функция, повишено вътречерепно налягане, повишено съпротивление на дихателните пътища и намален белодробен комплайънс.
- Само лица с подходящо обучение, познания и съответна компетентност в областта на минимално инвазивните хирургични техники трябва да извършват минимално инвазивни процедури. Консултирайте се с медицинската литература за информация относно техниките, усложнения и опасности, преди да пристъпите към минимално инвазивна процедура.
- Задълбоченото разбиране на принципите и техниките, свързани с лазерните, електрохирургичните и ултразвуковите процедури, е от съществено значение за предотвратяване на опасност от токов удар и изгаряне за пациента и медицинския персонал, както и избягване на повреди на устройството или други медицински инструменти. Уверете се, че електрическата изолация или заземяването не са нарушени.

- Възможността за увличане на въздух съществува при следните условия:
  - Силен натиск, приложен външно върху корема
  - Сериозно и продължително изтичане през други конвенционални входове за достъп, поставени на мястото, или през отворен разрез
  - Силно и продължително аспириране
- При условията, описани по-горе, изместването на инсуфлирания газ от въздух е временно и увлеченият въздух ще бъде изместен от CO<sub>2</sub>.
- Препоръчително е да не се превишава налягане на инсуфлация > 15 mm Hg при колоректални процедури.
- По-високото налягане на инсуфлация (> 15 mm Hg) при инсуфлация с въглероден диоксид могат да увеличат риска от хиперкарбия, подожокен емфизем, пневмомедиастинум, пневмоторакс, пневмостром и задържане на урина.
- Ако се използва допълнителната предпазна капачка (8 mm, 12 mm):
  - Проверете паяната и уплътнението на предпазната капачка преди употреба.
  - След употреба проверете предпазната капачка за физически повреди от всякакъв вид.
- По време на въвеждане на троакар AirSeal бъдете изключително внимателни. Неправилната употреба на този продукт може да доведе до животозастрашаващи наранявания на вътрешни органи и съдове.
  - Уверете се, че е създаден достатъчен пневмоперитонеум или пневморектум
  - Уверете се, че пациентът е разположен правилно, така че органите да са далеч от мястото на проникване
  - Насочвайте върха на троакара AirSeal далеч от важни съдове и органи
  - Внимавайте върхната стена на порта за достъп AirSeal да е в контакт само с тъканта и да не се захваща между и да не влиза в контакт с твърди повърхности, като други инструменти или кости. Продължителният или внезапен контакт с твърди повърхности може да доведе до повреда или счупване на порта за достъп.
  - Не прилагайте прекомерно голяма сила, насочена надолу
- През порта за достъп AirSeal трябва да се подават само хирургически ръчни инструменти. НЕ вкарвайте троакари или роботизирани инструменти в порта за достъп AirSeal. Неправилната употреба може да доведе до повреда или счупване на порта за достъп.
- Конструктивните особености на троакара с нережещ оптичен връх са такива, че се минимизира вероятността от нараняване на подлежащите анатомични структури. Въпреки това трябва да се спазват стандартните предпазни мерки, прилагани при всички подобни процедури на въвеждане на изделия.
- Въпреки че троакарът с нережещ оптичен връх е с връх без острие, трябва да се внимава, както при всички подобни изделия, за да се избягва увреждане на големи съдове и други анатомични структури (като черва или мезентериум). За да сведете до минимум риска от такова нараняване, трябва:
  - да създадете адекватни пневмоперитонеум или пневморектум
  - правилно да позиционирате пациента, за да се подпомогне изместването на органите извън зоната на проникване
  - да обърнете внимание на важни анатомични ориентири
  - да насочвате върха на троакара AirSeal далеч от големи съдове и важни органи
  - да не прилагате много голяма или неконтролирана сила
  - да използвате техника за оптично въвеждане, когато е възможно
- След като се осъществят частично проникване, е необходима много малка сила, за да се завърши въвеждането. Прекомерно голямата сила може да доведе до нараняване на подлежащите анатомични структури.
- След като е извършено правилно ендоскопско въвеждане, троакарът с нережещ оптичен връх не трябва да се придвижва за допълнително проникване. Продължаването на въвеждането на троакара може да доведе до нараняване на подлежащите анатомични структури.
- След като е постигнато безопасно и правилно въвеждане, уверете се, че черната линия на дистанния край на троакара AirSeal е видима в телесната кухина през цялото време, докато троакарът AirSeal се използва за инсуфлация.
- Не опитвайте вторични прониквания на троакар, докато не се установят основното място и препоръчаното вътрекоремно налягане (обикновено 12 – 18 mm Hg).
- След като извадите канюлата от телесната кухина, винаги проверявайте мястото за хемостаза. Ако няма хемостаза, трябва да се използват подходящи техники за постигането ѝ.
- Комплектът трилуменова филтрираща тръба с филтър с активен въглен и комплектът раздвоена филтрираща тръба с димоотвод с филтър с активен въглен са снабдени със сензори за течност за следене на нивото на течността във филтрите и за предупреждаване на потребителите за възможно замърсяване на изделието. Ако уловителят за флуиди на корпуса на филтъра се напълни до ниво на течност **Low** (Ниско), на сензорния дисплей се извежда предупредително съобщение и се активира звуков сигнал. Трябва да се проверят разположението на канюлата и тръбите, за да се гарантира, че във филтъра няма да навлезе повече течност. В този момент поставете отново обтуратора в троакара AirSeal и сменете комплекта филтрираща тръба.
- Инструментите или изделията, които влизат в контакт с телесни течности, може да изискват специална обработка преди изхвърляне, за да се предотврати биологично замърсяване.

## ПРОТИВОПОКАЗАНИЯ

AirSeal IFS е противопоказан за употреба, когато ендоскопските минимално инвазивни техники са противопоказани.

**ВАЖНО:** Тази листовка е предназначена да предоставя инструкции за употреба. Тя не съдържа информация за справка или указания относно техниките за поставяне на троакари. Успешното използване на троакар с нережещ оптичен връх като основен порт след инсуфлация зависи от разпознаването и разграничаването на тъканните слоеве. Поради това новите потребители трябва да използват троакарите с оптичен връх като вторичен порт след инсуфлация, за да натрупат опит и професионални умения в процедурата при визуализиране на тъканните слоеве. Само след придобиване на опит с горната техника троакарите с оптичен връх трябва да се използват като основен порт след инсуфлация.

**Забележка:** Визуално проверявайте стерилната(ите) бариерна(и) система(и) за всякакви проблеми с целостта на опаковката, които биха могли да повлияят на стерилността преди асептичната обработка. Не използвайте, ако са открити нарушения в стерилната бариерна система.

## ИНСТРУКЦИИ ЗА УПОТРЕБА

### Общи инструкции за употреба на троакара AirSeal за режим AirSeal:

**Забележка:** За функциите, свързани с конкретни ревизии на софтуера, вижте инструкциите за употреба на IFS.

1. Включете AirSeal IFS, като натиснете превключателя за включване/изключване (Фиг. 1, А).
2. Лостът на AirSeal IFS трябва да бъде в горно положение или в ОТКЛЮЧЕНО положение (Фиг. 1, D).
3. Изчакайте завършване на първоначалната самодиагностика, преди да поставите комплекта трилуменова филтрираща тръба.
4. Като използвате стерилна техника, извадете комплекта трилуменова филтрираща тръба от опаковката. За да избегнете повреди, не обръщайте изделието върху стерилното поле.
5. Поставете корпуса на филтъра на комплекта трилуменова тръба в гнездото за комплекта тръби, разположено в предната част на AirSeal IFS (Фиг. 1, C).
6. Натиснете поста надолу в ЗАКЛЮЧЕНО положение (Фиг. 9), режимът AirSeal ще се стартира автоматично.
 

**Забележка:** Ако е активиран педиатричен режим AirSeal, ще се изведе съобщение да изберете режим AirSeal за възрастни или педиатричен режим AirSeal. Вижте инструкциите за употреба на AirSeal IFS за подробности относно педиатричния режим на AirSeal.
7. Проверете на сензорния екран на AirSeal IFS дали има достатъчно ниво на газ (Фиг. 1, B).
8. Изберете желаните настройки на дебит и налягане за пациента. Натиснете „Confirm“ (Потвърждение), за да потвърдите настройките на пациента.

**Вижте инструкциите, дадени по-долу, за проникване с игла Veress с троакара с нережещ оптичен връх. Тази техника не се използва при проникване в корема с твърд връх (тунел на Hasson). Ако не се използва техниката за проникване с игла Veress, преминете към стъпка 9.**

- Еднолуменовият преходник е предварително прикрепен към комплекта трилуменова филтрираща тръба с филтър с активен въглен.
- Свържете еднолуменовия преходник към луверовия съединител на иглата Veress и го поставете в съответствие с инструкциите на производителя.
- Задайте желаните стойности за дебит и налягане на сензорния екран на AirSeal IFS.

- Натиснете „Start“ (Start) на сензорния екран на AirSeal iFS и ще започне първоначалната инфлуация.
- След постигане на първоначална инфлуация отделете комплекта трилуменова филтрираща тръба с филтър с активен въглен от еднолуменовия преходник.
- Извадете иглата Veress.

**Ако трокарът AirSeal не е първият поставен трокар, запазете еднолуменовия преходник, свързан към комплекта трилуменова филтрираща тръба с филтър с активен въглен, и превърнете еднолуменовия преходник към луверския съединител на първия поставен обичаен трокар. Отстранете еднолуменовия преходник само след като е поставен трокар AirSeal.**

9. Като използвате стерилна техника, извадете трокара AirSeal и допълнителната предпазна капачка (8 mm, 12 mm) от опаковката. За да избегнете повреди, не обръщайте изделието върху стерилното поле.
10. Трокарът AirSeal (обтуратор и канюла) се доставя в предварително сглобен вид, затова не е необходимо да ги сглобявате. Забележка: Ако трокарът се нуждае от сглобяване, вкарвайте обтуратора в канюлата, докато надеждно се застопорят.
11. Уверете се, че обтураторът и канюлата са правилно сглобени. **Забележка:** Ако използвате трокара с тъл връх, уверете се, че пружинният фиксатор също е на мястото си (Фиг. 4, D).
12. Направете разрез, като използвате стандартни хирургични процедури. (Забележка: Разрезът трябва да отговаря на диаметъра на канюлата. Неподходящ разрез може да бъде причина за повишено съпротивление при въвеждане, което увеличава необходимата сила, прилагана за проникване, и може да доведе до загуба на контрол по време на въвеждането.)

**Сглобеният трокар е готов за въвеждане. Ако използвате трокар с тъл връх, използвайте подходяща лапароскопска техника (проникване по метода на Hasson).**

13. Въведете сглобения трокар през разреза на кожата, като приложите въртливо движение на 30° до 90°. Прилагайте постоянен, но контролиран натиск надолу върху дръжката.
14. Уверете се, че трокарът е въведен правилно. Не отстранявайте обтуратора от канюлата в този момент. **Забележка:** Ако използвате трокар с тъл връх, пружинният фиксатор трябва да бъде застопорен към корема на пациента с конец по обичайния начин.
15. Уверете се, че черната линия на дистанция край на трокара AirSeal е видима в телесната кухина през цялото време, докато трокарът AirSeal се използва за инфлуация.
16. Отстранете тапата на колектора от страната на канюлата на трокара AirSeal и свържете дистанция край на комплекта трилуменова филтрираща тръба с филтър с активен въглен към колектора на канюлата и го затегнете. **Забележка:** Ако комплекта тръби AirSeal и трокарът не са затегнати по подходящ начин, показанията на устройството може да не отразяват налягането, изпитвано от пациента. Стабилна връзка може да се потвърди визуално, когато една от белите ламели на централен съединител на комплекта тръби съвпадне директно с горната част на трокара (Фиг. 15). Ако погледнете право в центъра на трокара, докато комплекта тръби е свързан, една от ламелите на съединителния елемент на комплекта тръби трябва да се намира директно вертикално на трокара (Фиг. 16).
17. AirSeal ще се активира автоматично. Оставете обтуратора на място, докато се чуе звук от сигнал и се покаже зелено съобщение „AirSeal active“ (Активен AirSeal).
18. Отстранете обтуратора от канюлата, като стиснете бутоните за застопоряване на обтуратора, за да отключите двете изделия. **Забележка:** Трокарът с тъл връх няма бутони за застопоряване, затова може да се отстрани, като се изтегли обтураторът направо от канюлата.
19. След като режимът AirSeal се активира и обтураторът е изваден от канюлата AirSeal, дебитът ще се настрои автоматично. **Забележка:** Степента на дишоотвеждане може да бъде настроена на висока или ниска степен.
20. Ако желаете, в този момент може да се постави допълнителна предпазна капачка (8 mm, 12 mm). (Забележка: Ако използвате допълнителната предпазна капачка, внимавайте, когато вкарвате остро или голямо изделие през канюлата. Опционалната предпазна капачка може да бъде свалена от канюлата по всяко време на процедурата и трябва да бъде отстранена, преди да се поставят остри или големи предмети в канюлата.)
21. След приключване на процедурата натиснете **STOP** (СТОП) на сензорния екран, за да спрете инфлуацията AirSeal (**Забележка:** Това ще доведе до загуба на пневмоперитонеум). Като използвате стандартна лапароскопска техника, отстранете всички хирургични изделия и затворете местата на трокарите по обичайния начин. **Забележка:** Когато процедурата завърши, режимът AirSeal ще премине през финално калибриране преди изключване. По време на този процес не се създава налягане или инфлуация. Изчакайте финалното калибриране да приключи, преди да извадите комплекта трилуменова филтрираща тръба с филтър с активен въглен или да изключите iFS.
22. Преместете лоста на AirSeal iFS в горно или ОТКЛЮЧЕНО положение.
23. Извадете комплекта трилуменова филтрираща тръба с филтър с активен въглен от гнездото за комплекта тръби на AirSeal iFS.
24. Тъй като функционалният тест се извършва по време на първоначалното стартиране, преди всяка хирургическа интервенция уредът трябва да бъде изключен и след това включен.

**Вижте допълнителните инструкции по-долу за въвеждане на трокар с нережещ оптичен връх с помощта на ендоскоп.**

**Забележка: За функциите, свързани с конкретни ревизии на софтуера, вижте инструкциите за употреба на iFS.**

1. Свържете 0° ендоскоп към светлинния източник и монитора, както е указано в инструкциите на производителя. Проверете правилното свързване на ендоскопа и чистотата на изображението на монитора.
2. Въведете ендоскопа в отвора в проксималния край на дръжката на трокара с нережещ оптичен връх до достигане на дистанция край на трокара. (Въвеждане на ендоскоп; Фиг. 12).
3. Завъртете ендоскопа, ако желаете. (Въвеждане на ендоскоп; Фиг. 13).
4. За да получите ясен образ на монитора, въведете ендоскопа в дръжката на трокара с нережещ оптичен връх, допрете оптичния връх до удобна мека повърхност и фокусирайте камерата.
5. Направете разрез, като използвате стандартни хирургични процедури. (Забележка: Разрезът трябва да отговаря на диаметъра на канюлата. Неподходящ разрез може да бъде причина за повишено съпротивление при въвеждане, което увеличава необходимата сила, прилагана за проникване, и може да доведе до загуба на контрол по време на въвеждането.) Въведете сглобения трокар през разреза на кожата, като приложите въртливо движение на 30° до 90°. Прилагайте постоянен, но контролиран натиск надолу върху дръжката.
6. По време на поставяне на трокара наблюдавайте проникването му през отделните равнини на тъканите с помощта на лапароскопа. Отделните равнини на тъканите могат да се наблюдават, докато трокарът се поставя.
7. Извадете лапароскопа от трокара с нережещ оптичен връх (Изваждане на ендоскоп; Фиг. 14).
8. Продължете процедурата в съответствие с инструкциите по-горе, като започнете от стъпка 13.

## ИНСТРУКЦИИ ЗА УПОТРЕБА

**Инструкции за употреба на трокара AirSeal за режим AirSeal в трансанални приложения:**

**Забележка: За функциите, свързани с конкретни ревизии на софтуера, вижте инструкциите за употреба на iFS.**

1. Включете AirSeal iFS, като натиснете превключвателя за включване/изключване (Фиг. 1, A).
2. Лоста на AirSeal iFS трябва да бъде в горно положение или в ОТКЛЮЧЕНО положение (Фиг. 1, D).
3. Изчакайте завършване на първоначалната самодиагностика, преди да поставите комплекта трилуменова филтрираща тръба.
4. Като използвате стерилна техника, извадете комплекта трилуменова филтрираща тръба от опаковката. За да избегнете повреди, не обръщайте изделието върху стерилното поле.
5. Поставете корпуса на филтъра на комплекта трилуменова тръба в гнездото за комплекта тръби, разположено в предната част на AirSeal iFS (Фиг. 1, C).
6. Натиснете лоста надолу в ЗАКЛЮЧЕНО положение (Фиг. 9), режимът AirSeal ще се стартира автоматично. **Забележка:** Ако е активиран педиатричен режим AirSeal, ще се изведе съобщение да изберете режим AirSeal за възрастни или педиатричен режим AirSeal. Вижте инструкциите за употреба на AirSeal iFS за подробности относно педиатричния режим на AirSeal.
7. Проверете на сензорния екран на AirSeal iFS дали има достатъчно ниво на газ (Фиг. 1, B).

- Изберете желаните настройки на дебит и налягане за пациента. Натиснете „Confirm“ (Потвърждение), за да потвърдите настройките на пациента.
- Като използвате стерилна техника, извадете троакара AirSeal и допълнителната предпазна капачка (8 mm, 12 mm) от опаковката. За да избегнете повреди, не обръщайте изделието върху стерилното поле.
- Троакърът AirSeal (обтуратор и канюла) се доставя в предварително слобен вид, затова не е необходимо да ги слобвявате.
- Забележка:** Ако троакърът се нуждае от слобвяване, вкарвайте обтуратора в канюлата, докато надеждно се застопорят.
- Уверете се, че обтураторът и канюлата са правилно слобвени.
- Следвайте инструкциите за употреба на производителя на устройството на избраната платформа за трансанален достъп за поставяне в ректума.
- Поставете троакара в устройството на платформата за трансанален достъп чрез подходящ лumen или позиция на канюлата. Когато поставите троакара в устройството на платформата за трансанален достъп, направете го, като използвате въртливо движение на 30° до 90°. Прилагайте постоянен, но контролиран аксиален натиск върху троакара, докато се закрепят в устройството на платформата за трансанален достъп.
- Уверете се, че обтураторът и канюлата са правилно поставени. Не изваждайте обтуратора от канюлата в този момент.
- Отстранете тапата на колектора от страната на канюлата на троакара AirSeal и свържете дисталния край на комплекта трилуменова филтрираща тръба с филтър с активен въглен към колектора на канюлата и го затегнете.
- Забележка:** Ако комплектът тръби AirSeal и троакърът не са затегнати по подходящ начин, показанията на устройството може да не отразяват налягането, изпитвано от пациента. Стабилна връзка може да се потвърди визуално, когато една от белите ламели на централен съединител на комплекта тръби съвпадне директно с горната част на троакара (Фиг. 15). Ако погледете право в центъра на троакара, докато комплектът тръби е свързан, една от ламелите на съединителния елемент на комплекта тръби трябва да се намира директно вертикално на троакара (Фиг. 16).
- AirSeal ще се активира автоматично. Оставете обтуратора на място, докато се чуе звук от сигнал и се покаже зелено съобщение „AirSeal active“ (Активен AirSeal).
- Отстранете обтуратора от канюлата, като стиснете бутоните за застопоряване на обтуратора, за да отключите двете изделия.
- След като режимът AirSeal се активира и обтураторът е изваден от канюлата AirSeal, дебитът ще се настрои автоматично.
- Забележка:** Степента на димоотвеждане може да бъде настроена на висока или ниска степен.
- Ако желаете, в този момент може да се постави допълнителна предпазна капачка (8 mm, 12 mm). (**Забележка:** Ако използвате допълнителната предпазна капачка, внимавайте, когато вкарвате остро или голямо изделие през канюлата. Опционалната предпазна капачка може да бъде свалена от канюлата по всяко време на процедурата и трябва да бъде отстранена, преди да поставите остър или голям предмет в канюлата.)
- След приключване на процедурата натиснете **STOP** (СТОП) на сензорния екран, за да спрете инфуляцията AirSeal (**Забележка:** Това ще доведе до загуба на пневмоперитонеум). Като използвате стандартна лапароскопска техника, отстранете всички хирургични изделия и затворете местата на троакарите по обичайния начин.
- Забележка:** Когато процедурата завърши, режимът AirSeal ще премине през финално калибриране преди изключване. По време на този процес не се създава налягане или инфузия. Изчакайте финалното калибриране да приключи, преди да извадите комплекта трилуменова филтрираща тръба с филтър с активен въглен или да изключите iFS.
- Преместете лоста на AirSeal iFS в горно или ОТКЛЮЧЕНО положение.
- Извадете комплекта трилуменова филтрираща тръба с филтър с активен въглен от гнездото за комплекта тръби на AirSeal iFS.
- Тъй като функционалният тест се извършва по време на първоначалното стартиране, преди всяка хирургическа интервенция уредът трябва да бъде изключен и след това включен.

#### **Общи инструкции за употреба в режими на димоотвеждане и стандартна инфузия:**

##### **ПЪРВОНАЧАЛНА ИНСУФЛАЦИЯ С ИГЛА VERESS**

##### **Забележка: За функциите, свързани с конкретни ревизи на софтуера, вижте инструкциите за употреба на iFS.**

- Включете AirSeal iFS, като натиснете превключвателя за включване/изключване (Фиг. 1, A).
- След завършване на самодиагностиката на сензорния екран изберете режим на димоотвеждане или режим на стандартна инфузия от списъка за избор на режими на AirSeal iFS (Фиг. 1, B).
- Проверете на сензорния екран на AirSeal iFS дали има достатъчно ниво на газ (Фиг. 1, B).
- Свържете подходящия комплект тръба към AirSeal iFS. (Вижте конкретните инструкции по-долу за свързване на комплекта раздвоена филтрираща тръба с димоотвод с филтър с активен въглен).
- Забележка:** За разлика от другите комплекти тръби, комплектът еднолуменна тръба се свързва към стойката за свързване на тръбата за инфузия в предната част на AirSeal iFS.
- Свържете по обичайния начин луер лок конектора на комплекта тръба с края на игла Veress или обичаен троакър. (Вижте конкретните инструкции по-долу за свързване на комплекта раздвоена филтрираща тръба с димоотвод с филтър с активен въглен).
- Задайте желаните стойности за дебит и налягане на сензорния екран на AirSeal iFS. Натиснете „Confirm“ (Потвърждение), за да потвърдите настройките на пациента.
- Натиснете „Start“ (Старт) на сензорния екран на AirSeal iFS и ще започне първоначалната инфузия.
- След като е постигната първоначална инфузия, **поставете обичайния троакър със стандартни луерови съединители.**
- След приключване на процедурата натиснете **STOP** (СТОП) на сензорния екран, за да спрете инфузията (**Забележка:** Това ще доведе до загуба на пневмоперитонеум). Като използвате стандартна лапароскопска техника, отстранете всички хирургични изделия и затворете местата на троакарите по обичайния начин.
- Отстранете комплекта тръба от AirSeal iFS. (Вижте конкретните инструкции по-долу за отстраняване на комплекта раздвоена филтрираща тръба с димоотвод с филтър с активен въглен).
- Тъй като функционалният тест се извършва по време на първоначалното стартиране, преди всяка хирургическа интервенция уредът трябва да бъде изключен и след това включен.

#### **Вижте допълнителните инструкции по-долу за комплекта раздвоена филтрираща тръба с димоотвод с филтър с активен въглен**

##### **За употреба с два обичайни троакара със стандартни луерови съединители и комплекта раздвоена филтрираща тръба с димоотвод с филтър с активен въглен.**

Прозрачна тръба: Инфузия

Синя тръба: Димоотвеждане

##### **Прикрепване на комплекта раздвоена филтрираща тръба с димоотвод с филтър с активен въглен**

##### **Забележка: За функциите, свързани с конкретни ревизи на софтуера, вижте инструкциите за употреба на iFS.**

- Лостът на AirSeal iFS трябва да бъде в горно положение или в ОТКЛЮЧЕНО положение (Фиг. 1, D).
- Поставете корпуса на филтъра на комплекта раздвоена филтрираща тръба с димоотвод с филтър с активен въглен в гнездото за комплекта тръби, разположено в предната част на AirSeal iFS (Фиг. 1, C).
- Натиснете лоста надолу в ЗАКЛЮЧЕНО положение.
- Прикрепете иглата Veress към луер лок конектора на прозрачната тръба на комплекта раздвоена филтрираща тръба с димоотвод с филтър с активен въглен.
- Задайте желаните стойности за дебит и налягане на сензорния екран на AirSeal iFS. Натиснете „Confirm“ (Потвърждение), за да потвърдите настройките на пациента.
- Натиснете „Start“ (Старт) на сензорния екран на AirSeal iFS и ще започне първоначалната инфузия.
- Уверете се, че канюлите са правилно поставени.
- Извадете иглата Veress и я разкачете от комплекта раздвоена филтрираща тръба с димоотвод с филтър с активен въглен.
- Свържете луер лок конектора на **ПРОЗРАЧНАТА** тръба от комплекта раздвоена филтрираща тръба с димоотвод с филтър с активен въглен към обичайната канюла. Отворете входящия клапан/спирателно кранче.
- Следвайте указанията на сензорния екран на AirSeal iFS. Когато се изведе съответното указание, свържете луер лок конектора на **СИНИЯТА** тръба от комплекта раздвоена филтрираща тръба с димоотвод с филтър с активен въглен към друга обичайна канюла. Инфузията остава активна.
- Когато луер лок конекторът на **СИНИЯТА** тръба от комплекта раздвоена филтрираща тръба с димоотвод с филтър с активен въглен се свърже към втората обичайна канюла, се активира димоотвеждането.

СЕРИОЗНИ ИНЦИДЕНТИ – Незабавно докладвайте за всякакви сериозни инциденти при използването на това устройство на отдела за обслужване на клиенти на CONMED или на местния представител на CONMED. Имейл: CustomerExperience@CONMED.com

Отстраняване на комплекта раздвоена филтрираща тръба с димоотвод с филтър с активен въглен

**Забележка: За функциите, свързани с конкретни ревизии на софтуера, вижте инструкциите за употреба на iFS.**

1. След приключване на процедурата натиснете **СТОП** (СТОП) на сензорния екран, за да спрете инсуфлацията (**Забележка:** Това ще доведе до загуба на пневмоперитонеум). Като използвате стандартна лапароскопска техника, отстранете всички хирургични изделия и затворете местата на троакарите по обичайния начин.
2. Преместете лоста на AirSeal iFS в горно или ОТКЛЮЧЕНО положение.
3. Извадете от комплекта раздвоена филтрираща тръба с димоотвод с филтър с активен въглен от гнездото за комплекти тръби на AirSeal iFS.
4. Тъй като функционалният тест се извършва по време на първоначалното стартиране, преди всяка хирургическа интервенция уредът трябва да бъде изключен и след това включен.

#### ИЗХВЪРЛЯНЕ

Изхвърлете устройството в съответствие с местните болнични изисквания.

#### НАЧИН НА ДОСТАВКА

Всеки порт за оптичен достъп AirSeal, нископрофилен порт за достъп AirSeal, опционалната предпазна капачка (8 mm, 12 mm), порт за достъп с тъп връх AirSeal, канилата AirSeal, комплект раздвоена филтрираща тръба с димоотвод с филтър с активен въглен, комплект трилуменова филтрираща тръба с филтър с активен въглен, комплект еднолуменова филтрираща тръба и еднолуменов преходник AirSeal се доставят стерилни чрез гама лъчение за употреба при един пациент. Изхвърлете след употреба. Троакарите AirSeal, предпазните капачки и комплектите тръби не са изработени с естествен каучуков латекс.

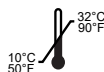
AirSeal iFS е нестерилен и за многократна употреба.

AirSeal® е регистрирана търговска марка на CONMED Corporation.

**ВНИМАНИЕ:** Федералното законодателство (на САЩ) ограничава продажбата на това изделие от или по поръчка на лекар.



STERILE R



<http://eifu.conmed.com>



CONMED Europe BV  
W.A. Mozartlaan 3  
1620 Drogenbos, Belgium

**Rx ONLY**

All CONMED symbology is defined in the eSymbology IFU which can be found at <http://eifu.conmed.com/>



CONMED Corporation  
525 French Road  
Utica, NY 13502-5994 USA  
US: 1-866-4CONMED (426-6633) (US) or  
CustomerExperience@conmed.com  
International: +1 727-219-3310 or  
InternationalCustomerExperience@conmed.com  
[www.conmed.com](http://www.conmed.com)